



US00D679828S

(12) **United States Design Patent**
Motadel et al.

(10) **Patent No.:** **US D679,828 S**
(45) **Date of Patent:** **** Apr. 9, 2013**

- (54) **PIPETTE TIP**
- (75) Inventors: **Arta Motadel**, San Diego, CA (US);
Peter Paul Blaszcak, San Diego, CA (US); **Phillip Chad Hairfield**, San Diego, CA (US); **Sean Michael Callahan**, San Diego, CA (US)
- (73) Assignee: **Biotix, Inc.**, San Diego, CA (US)
- (**) Term: **14 Years**
- (21) Appl. No.: **29/413,135**
- (22) Filed: **Feb. 10, 2012**

Related U.S. Application Data

- (63) Continuation-in-part of application No. 29/354,398, filed on Jan. 22, 2010, now Pat. No. Des. 663,042.
- (51) **LOC (9) Cl.** **24-02**
- (52) **U.S. Cl.** **D24/222**
- (58) **Field of Classification Search** D24/216, D24/222-226, 231, 232, 186, 169, 133; D10/81; 422/521, 501-503; 73/863.32, 864.01, 864.16, 73/864.17, 864.14, 864.21; 436/180
See application file for complete search history.

(56) **References Cited**

U.S. PATENT DOCUMENTS

| | | | |
|-----------------|---------|------------------|---------|
| D255,601 S | 6/1980 | De Vaughn | |
| D256,052 S | 7/1980 | De Vaughn | |
| 4,647,419 A | 3/1987 | Helfer et al. | |
| 4,707,337 A | 11/1987 | Jeffs et al. | |
| D300,561 S | 4/1989 | Asa et al. | |
| 5,032,343 A | 7/1991 | Jeffs et al. | |
| 5,156,811 A | 10/1992 | White | |
| 5,232,669 A | 8/1993 | Pardinas | |
| D384,418 S | 9/1997 | Torti et al. | |
| D439,986 S | 4/2001 | Petrek | |
| D461,904 S | 8/2002 | Petrek | |
| D465,844 S | 11/2002 | Anderson et al. | |
| 6,566,145 B2 | 5/2003 | Brewer | |
| 6,596,240 B2 | 7/2003 | Taggart et al. | |
| D487,593 S | 3/2004 | Sama | |
| 7,335,337 B1 | 2/2008 | Smith | |
| 7,794,664 B2 * | 9/2010 | Pelletier et al. | 422/400 |
| 8,105,555 B2 * | 1/2012 | Lahti | 422/526 |
| D663,042 S | 7/2012 | Motadel et al. | |
| 2005/0255005 A1 | 11/2005 | Motadel | |
| 2006/0171851 A1 | 8/2006 | Motadel | |
| 2007/0017870 A1 | 1/2007 | Belov | |
| 2007/0231215 A1 | 10/2007 | Mototsu et al. | |
| 2010/0218622 A1 | 9/2010 | Motadel | |

FOREIGN PATENT DOCUMENTS

| | | |
|----|----------------|---------|
| EP | 0743095 | 11/1996 |
| EP | 2140941 | 1/2010 |
| JP | 08-266913 | 10/1996 |
| RU | 2144158 | 1/2000 |
| WO | WO 2006/093925 | 9/2006 |
| WO | WO 2010/081107 | 7/2010 |
| WO | WO 2011/091308 | 7/2011 |

OTHER PUBLICATIONS

International Search Report and Written Opinion mailed on: Aug. 25, 2010 in International Application No. PCT/US2010/020666 filed on Jan. 11, 2010 and published as: WO 10/081107 on: Jul. 15, 2010.

(Continued)

Primary Examiner — Anhdao Doan
(74) *Attorney, Agent, or Firm* — Grant Anderson LLP

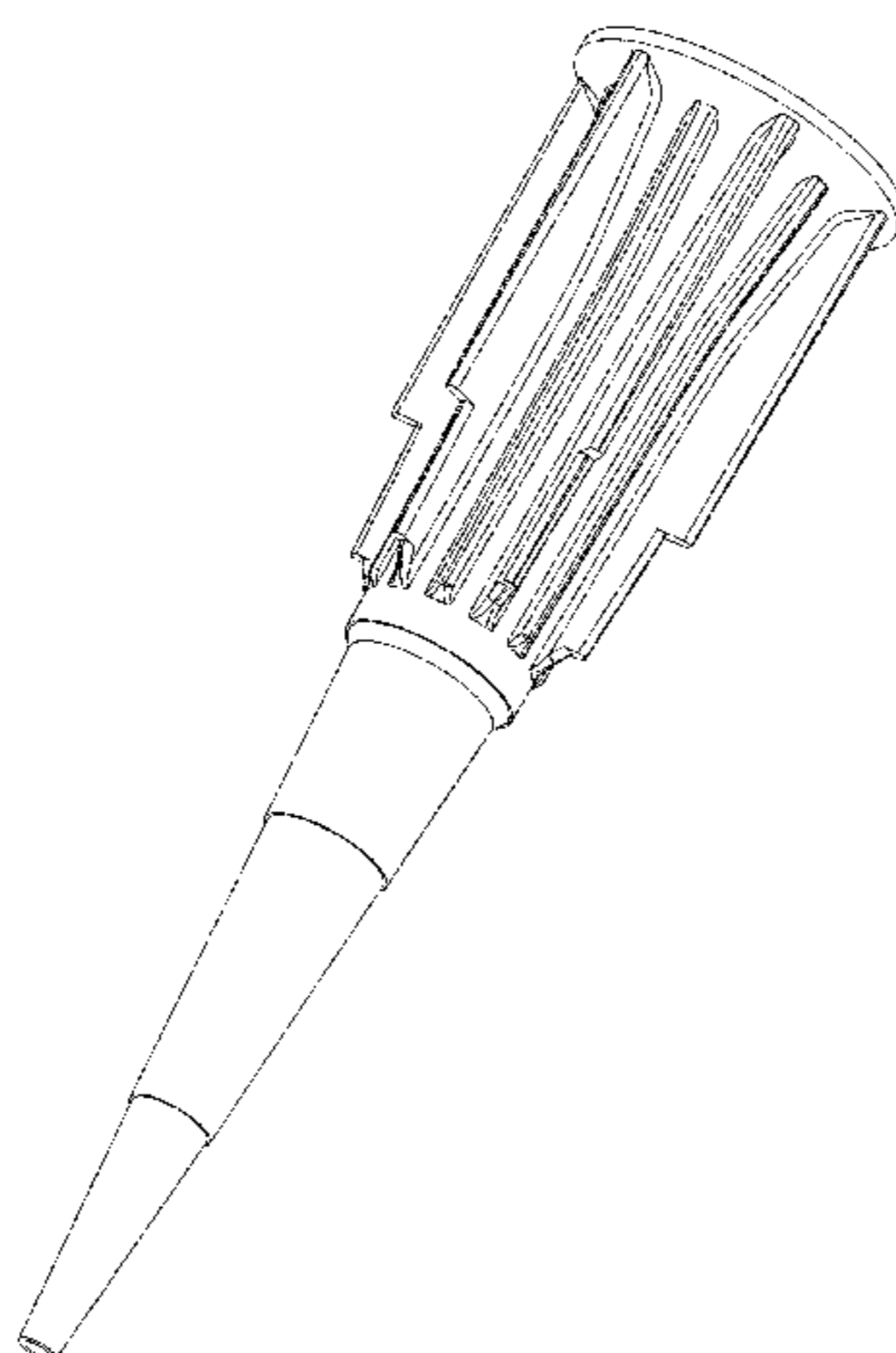
(57) **CLAIM**

The ornamental design for a pipette tip, as shown and described.

DESCRIPTION

FIG. 1 is a perspective view of a first embodiment of a pipette tip;
 FIG. 2 is a front view thereof;
 FIG. 3 is a side view thereof;
 FIG. 4 is a side view thereof;
 FIG. 5 is a back view thereof;
 FIG. 6 is a top view thereof;
 FIG. 7 is a bottom view thereof;
 FIG. 8 is a perspective view of a second embodiment of a pipette tip;
 FIG. 9 is a front view thereof;
 FIG. 10 is a side view thereof;
 FIG. 11 is a side view thereof;
 FIG. 12 is a back view thereof;
 FIG. 13 is a top view thereof;
 FIG. 14 is a bottom view thereof;
 FIG. 15 is an enlarged view of the pipette tip region indicated in FIG. 8;
 FIG. 16 is an enlarged view of the pipette tip region indicated in FIG. 9; and,
 FIG. 17 is an enlarged view of the pipette tip region indicated in FIG. 10.
 Broken lines are included for the purpose of illustrating portions of pipette tip embodiments that form no part of the claimed design in FIGS. 6 and 13. The circles designated by broken lines in FIGS. 8, 9 and 10 delineate a region of the pipette tip shown as an expanded view in FIGS. 15, 16 and 17, respectively. Broken lines in FIGS. 15, 16 and 17 designate the perimeter of the expanded view of the pipette tip. None of the broken lines form a part of the claimed design.

1 Claim, 15 Drawing Sheets



OTHER PUBLICATIONS

International Preliminary Report on Patentability mailed on: Jul. 21, 2011 in International Application No. PCT/US2010/020666 filed on Jan. 11, 2010 and published as: WO 10/081107 on: Jul. 15, 2010.

International Search Report and Written Opinion mailed on: Oct. 28, 2011 in International Application No. PCT/US2011/022129 filed on Jan. 21, 2011 and published as: WO 2011/091308 on: Jul. 28, 2011.

Corning Deck Works Piptet Tips, Product Brochure 2010.

Sorenson BioScience, Inc. Liquid Handling Products, VWR 2008 Catalog.

Sorenson low binding aerosol barrier tips, MicroReach Guard, capacity 10u1. Catalog No. Z719390, Sigma-Aldrich Co. 2010 Catalog, Printed from the internet on Sep. 9, 2010.

Office Action mailed on: Jan. 10, 2012 in U.S. Appl. No. 12/685,590, filed Jan. 11, 2010.

Office Action mailed on: Jul. 11, 2012 in U.S. Appl. No. 12/685,590, filed Jan. 11, 2010.

Office Action mailed on: May 23, 2012 in U.S. Appl. No. 29/354,398, filed Jan. 22, 2010.

Office Action mailed on: Feb. 6, 2012 in U.S. Appl. No. 29/354,398, filed Jan. 22, 2010.

Office Action mailed on: Jun. 21, 2011 in U.S. Appl. No. 29/354,398, filed Jan. 22, 2010.

Office Action mailed on: Jan. 12, 2011 in U.S. Appl. No. 29/354,398, filed Jan. 22, 2010.

Office Action mailed on: Jan. 31, 2011 in U.S. Appl. No. 29/354,398, filed Jan. 22, 2010.

Office Action mailed on: Sep. 14, 2010 in U.S. Appl. No. 29/354,398, filed Jan. 22, 2010.

* cited by examiner

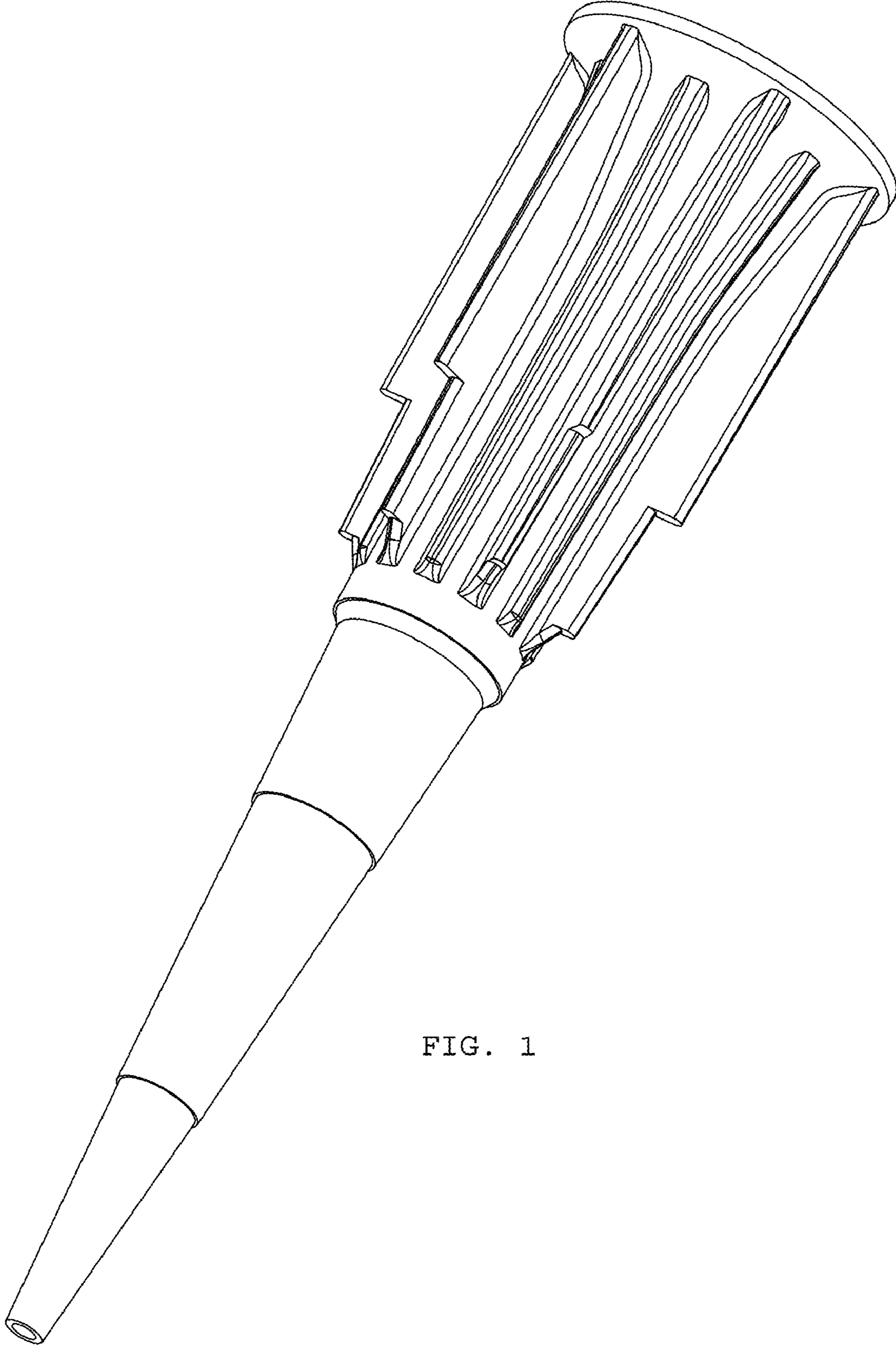


FIG. 1

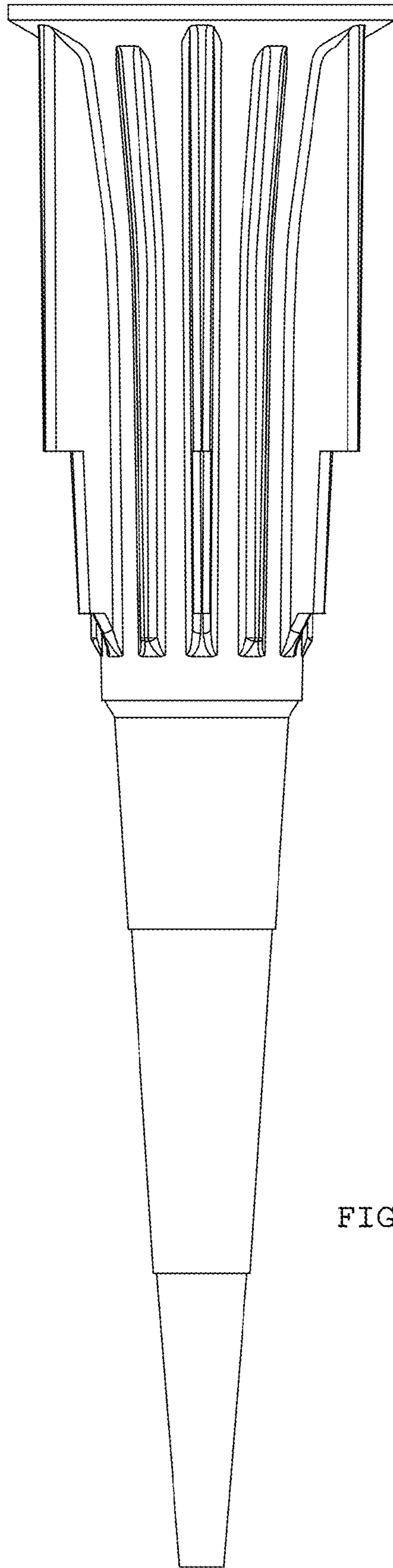


FIG. 2

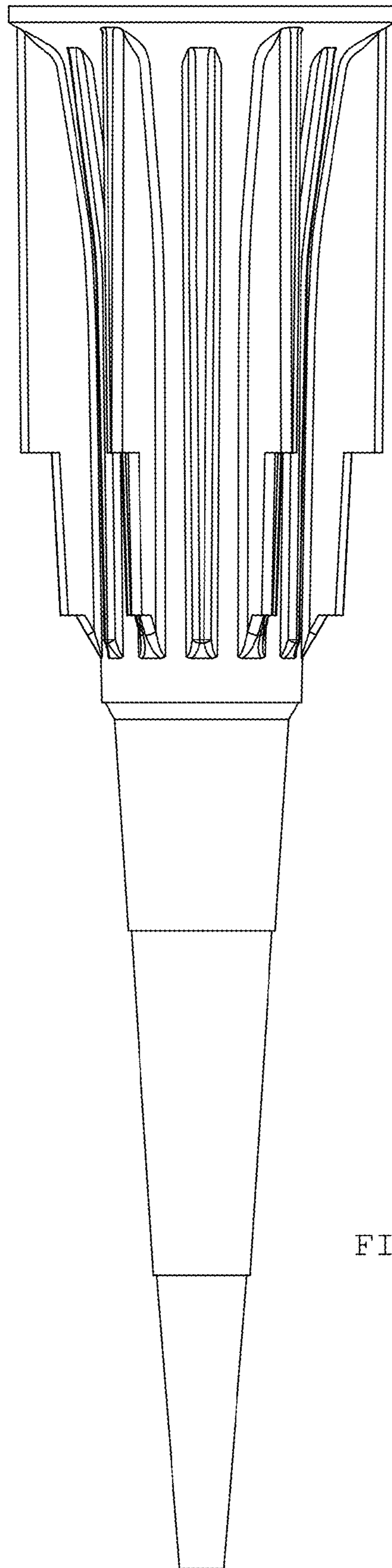


FIG. 3

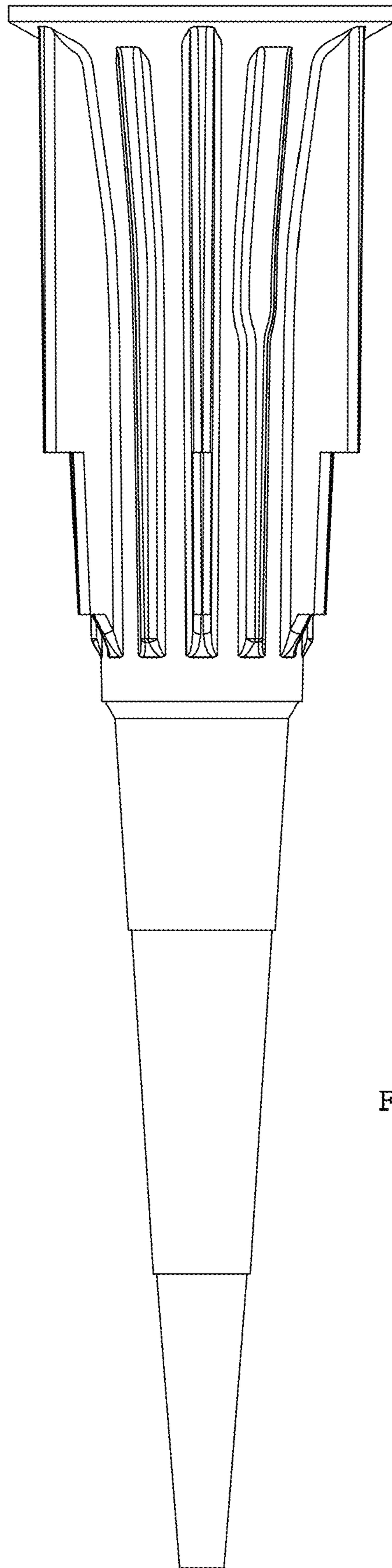


FIG. 4

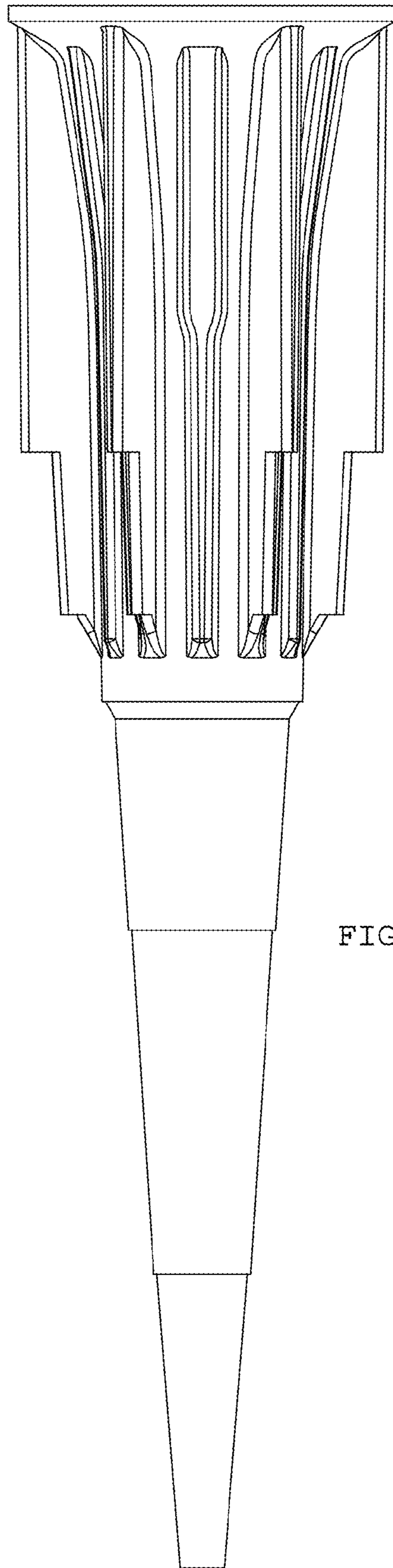


FIG. 5

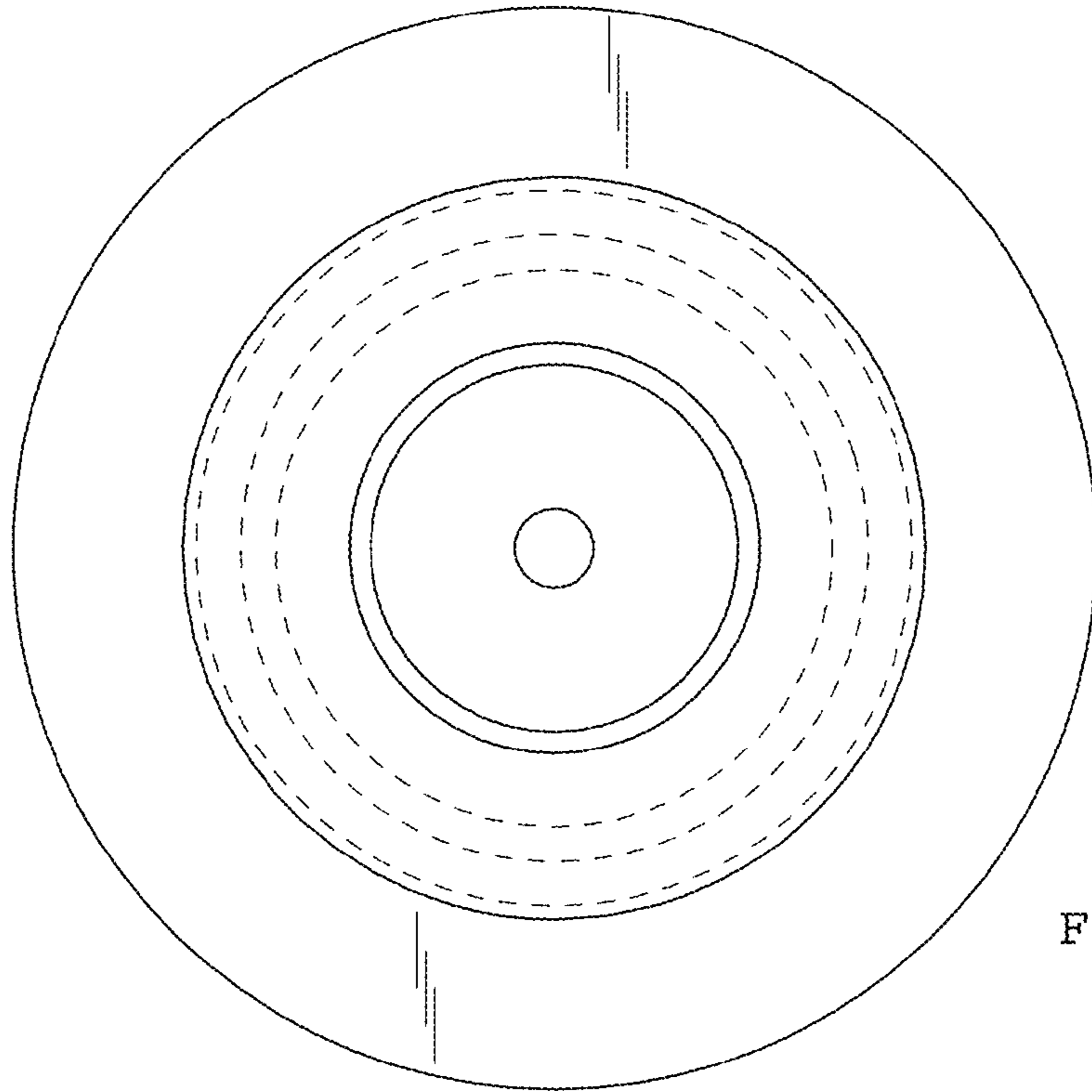


FIG. 6

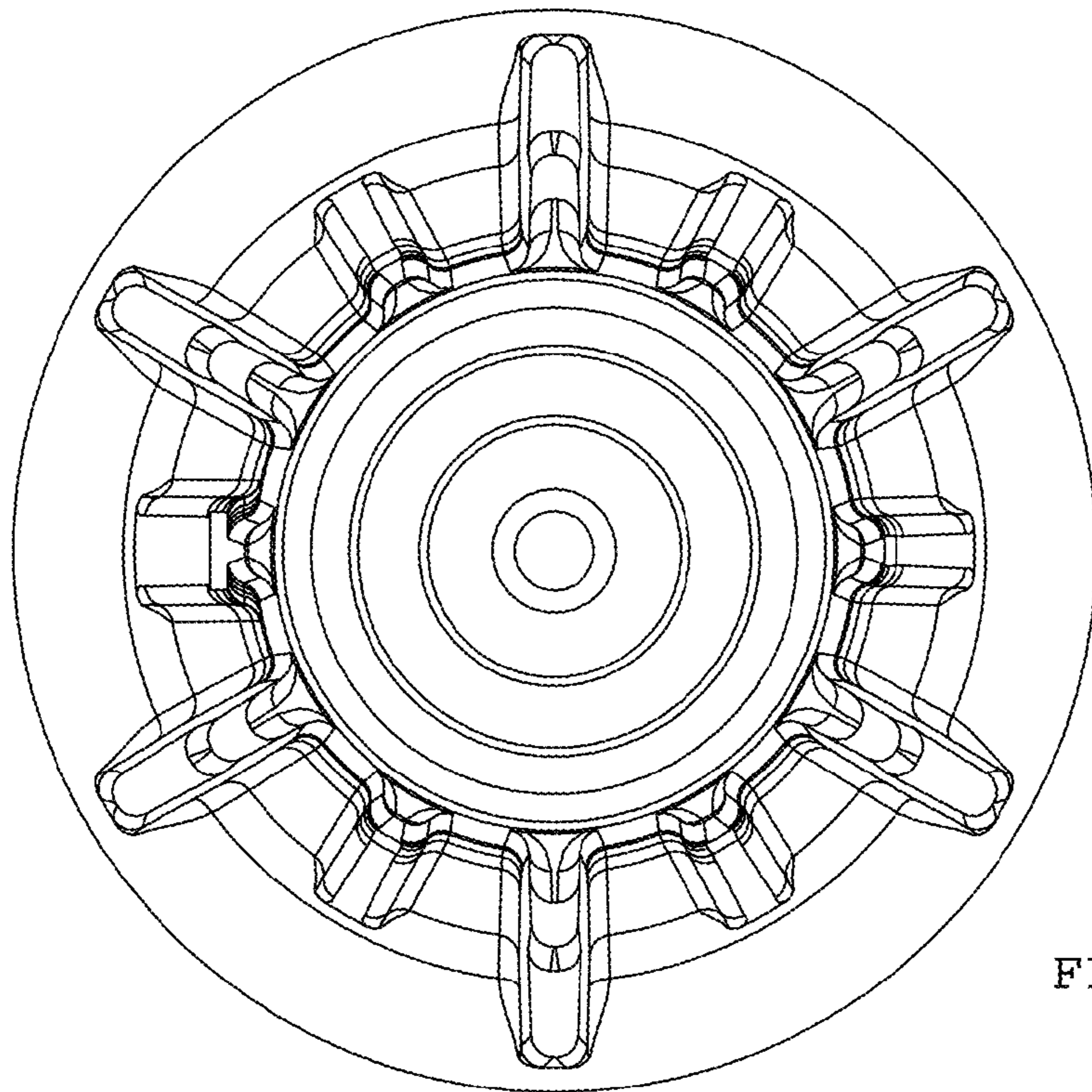


FIG. 7

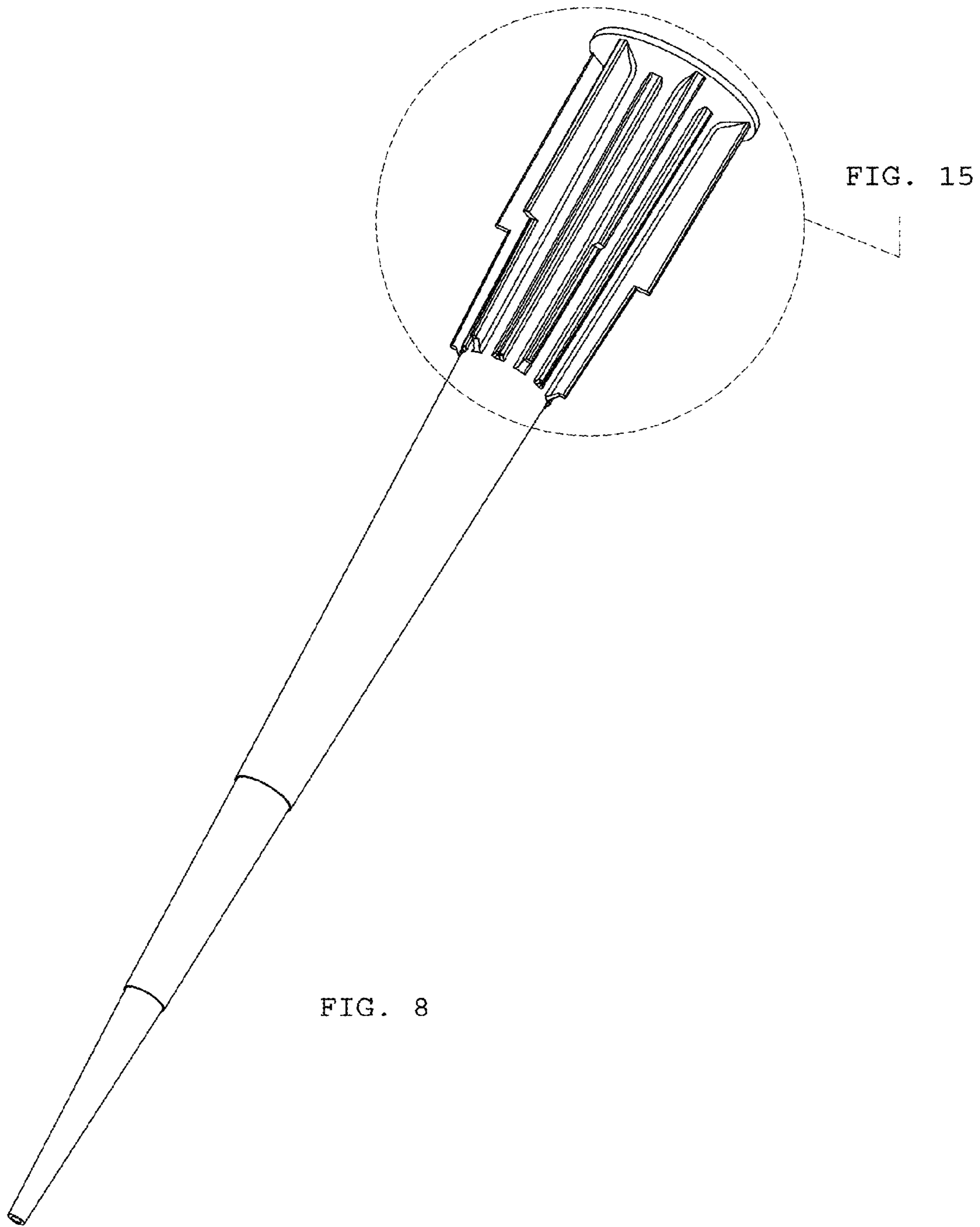
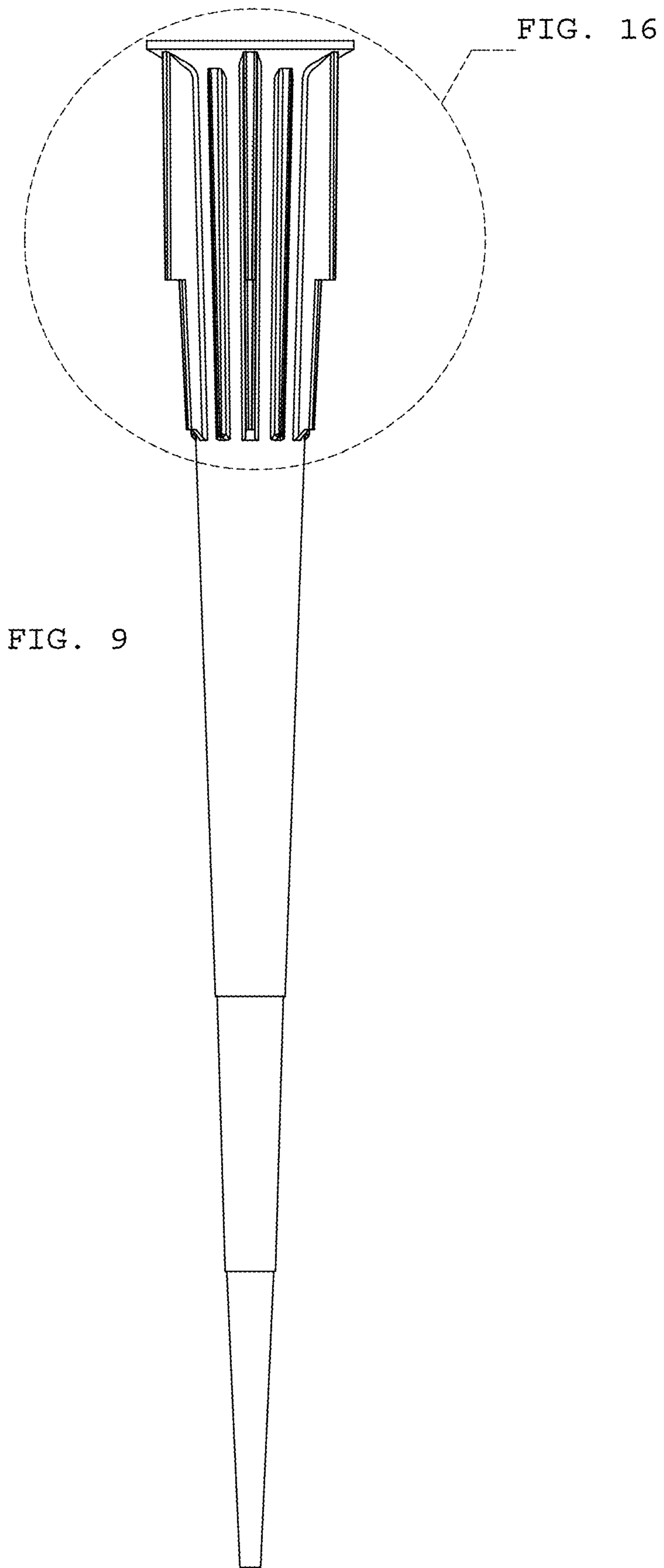
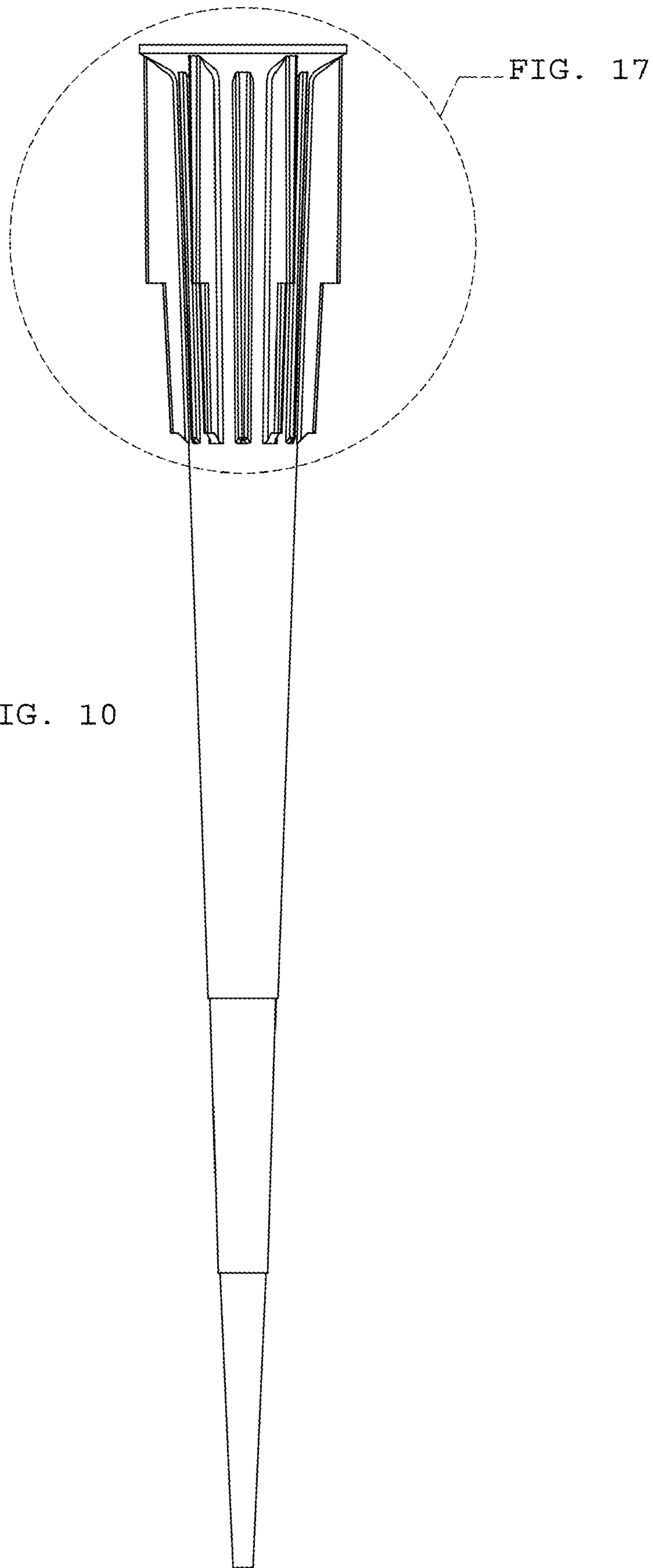


FIG. 8

FIG. 15





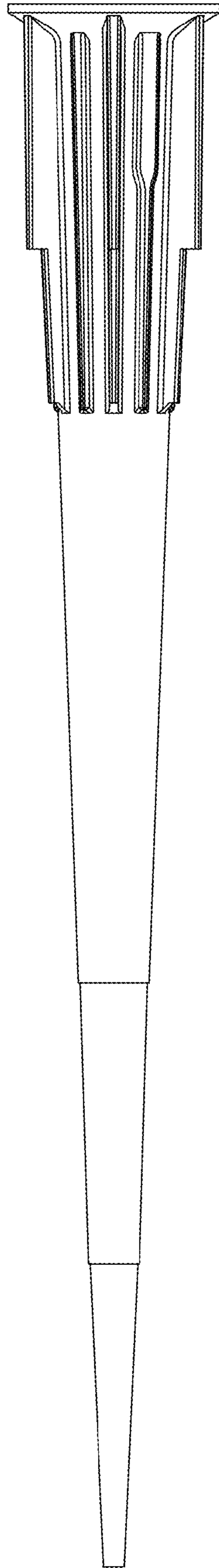


FIG. 11

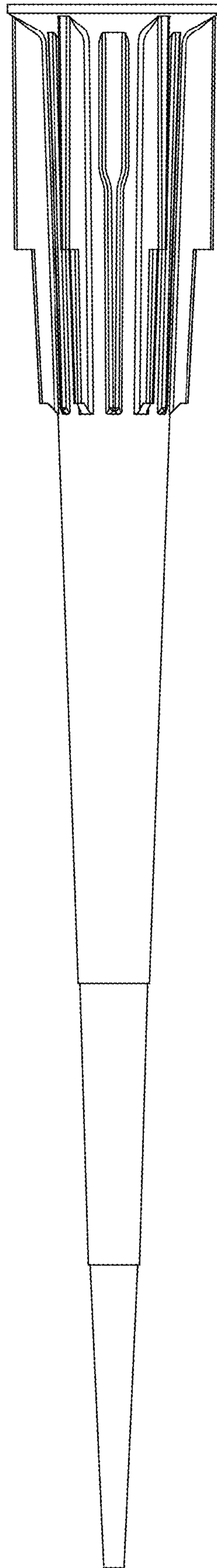


FIG. 12

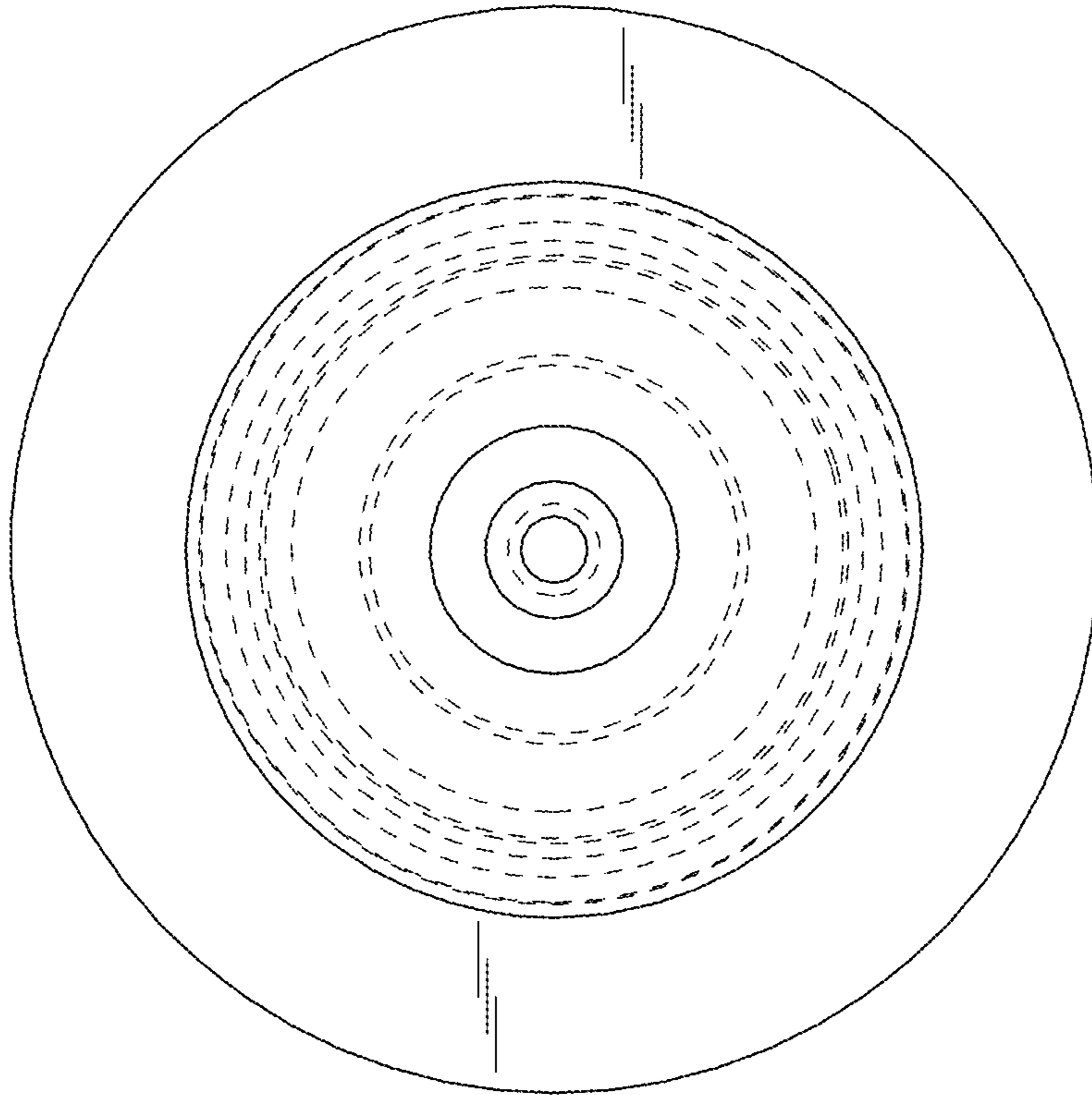


FIG. 13

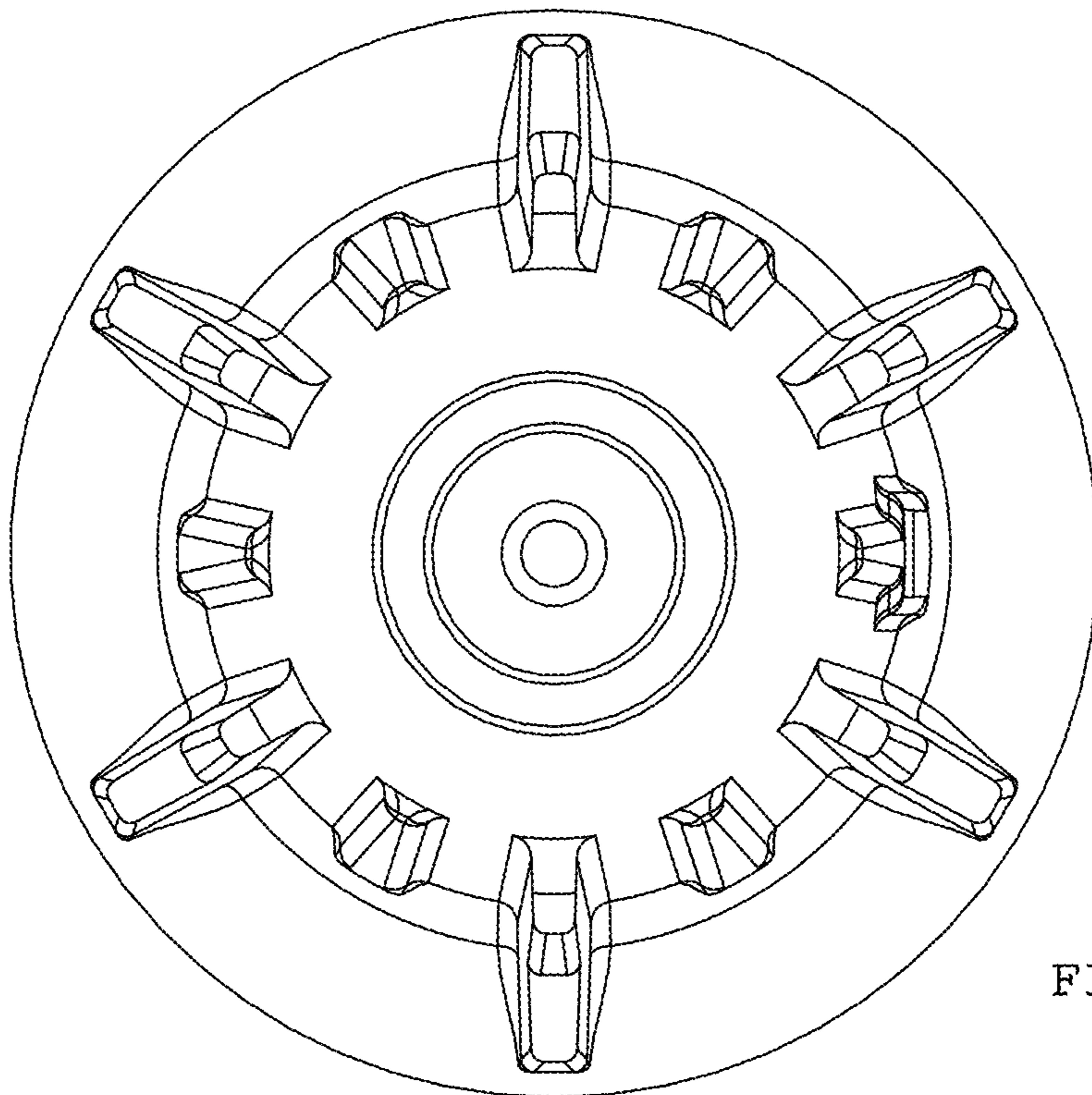


FIG. 14

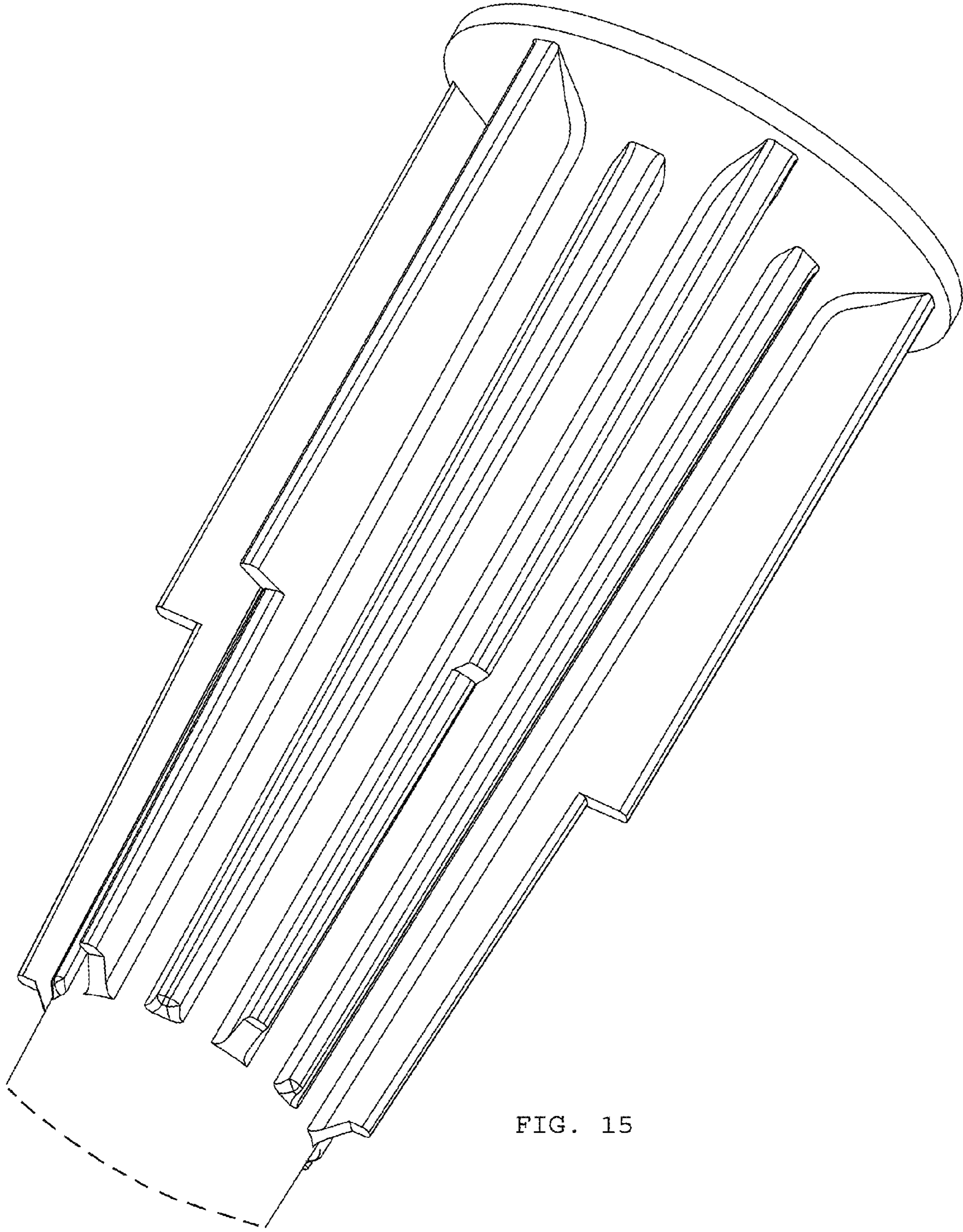


FIG. 15

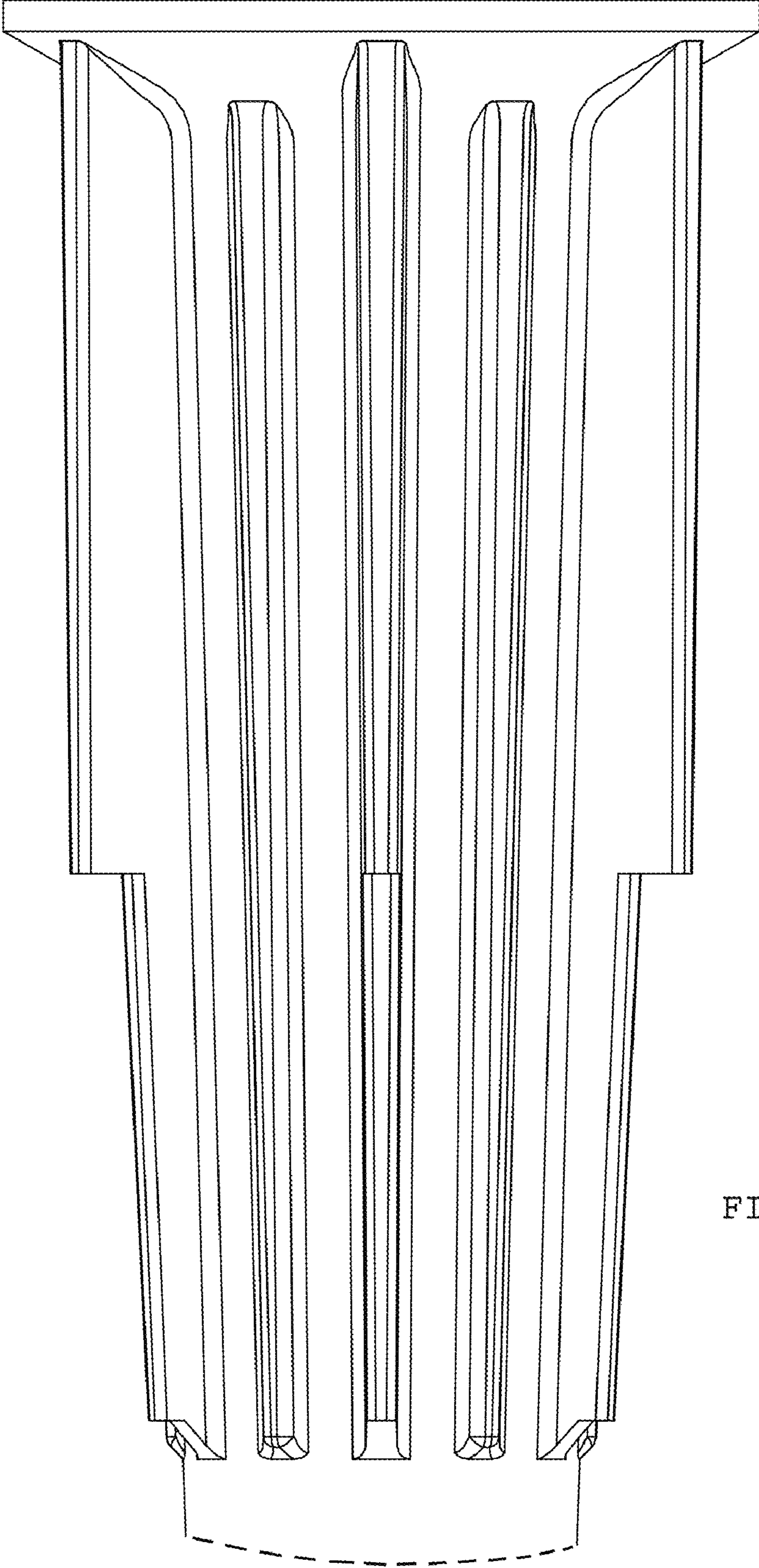


FIG. 16

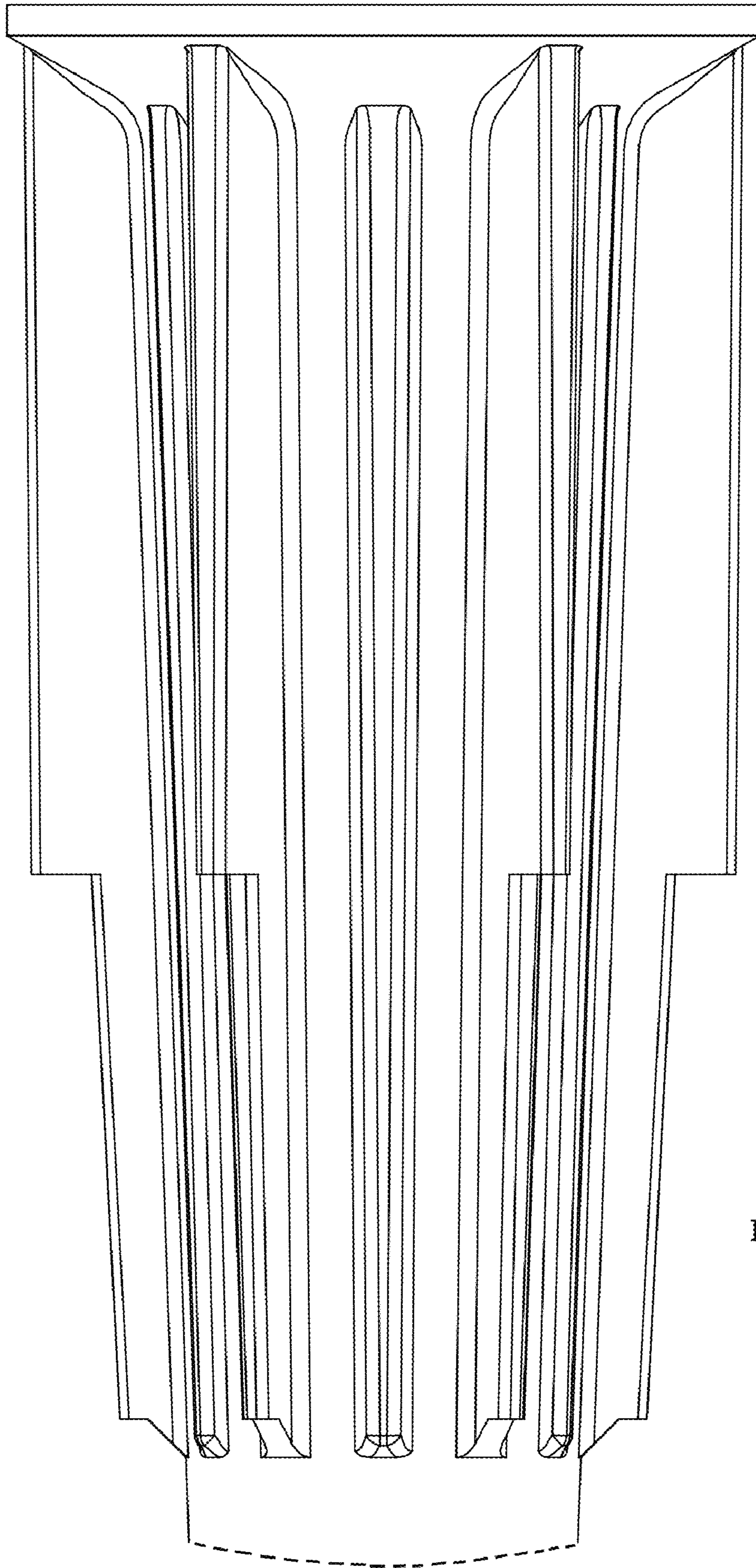


FIG. 17