



US00D679827S

(12) **United States Design Patent**
Flamm et al.

(10) **Patent No.:** **US D679,827 S**

(45) **Date of Patent:** **** Apr. 9, 2013**

(54) **PIPETTOR HEAD ASSEMBLY**

(75) Inventors: **Alex Flamm**, Baltimore, MD (US);
Conrad Laskowski, Baltimore, MD
(US); **Brian Murphy**, Baltimore, MD
(US); **Jeremy Savage**, Rockville, MD
(US)

(73) Assignee: **Canon U.S. Life Sciences, Inc.**,
Rockville, MD (US)

(**) Term: **14 Years**

(21) Appl. No.: **29/385,966**

(22) Filed: **Feb. 23, 2011**

(51) **LOC (9) Cl.** **24-02**

(52) **U.S. Cl.**
USPC **D24/222**

(58) **Field of Classification Search** D24/216,
D24/222-226, 231, 232, 186, 169, 133; D10/81;
422/521, 501-503; 73/863.32, 864.01, 864.16,
73/864.17, 864.14, 864.21; 436/180
See application file for complete search history.

(56) **References Cited**

U.S. PATENT DOCUMENTS

D274,258 S *	6/1984	Hegemann	D24/222
D302,855 S *	8/1989	Lyman	D24/222
7,270,789 B1 *	9/2007	Astle	422/522
D575,408 S *	8/2008	Clarke et al.	D24/216
D627,478 S *	11/2010	Guichardon	D24/222

8,007,741 B1 *	8/2011	Heyes	422/501
2004/0071602 A1 *	4/2004	Yiu	73/864.01
2004/0149015 A1 *	8/2004	Hansen et al.	73/40

* cited by examiner

Primary Examiner — Anhdao Doan

(74) *Attorney, Agent, or Firm* — Rothwell, Figg, Ernst & Manbeck, P.C.

(57) **CLAIM**

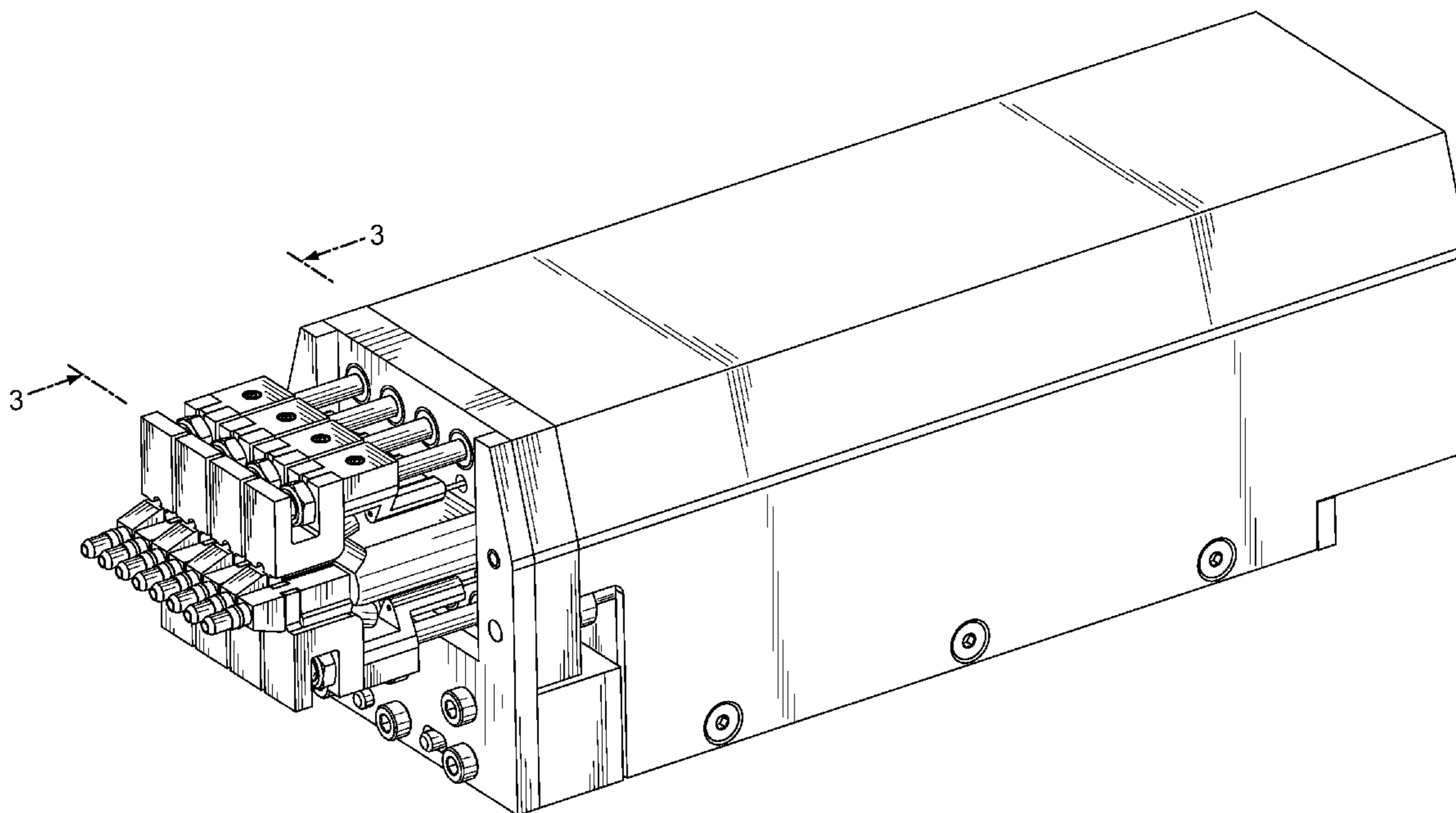
The ornamental design for a pipettor head assembly, as shown and described.

DESCRIPTION

FIG. 1 is a front, right side and bottom perspective view of a pipettor head assembly;
FIG. 2 is a back, left side and top perspective view of the pipettor head assembly;
FIG. 3 is an enlarged perspective view of the pipettor head assembly taken along lines 3-3 in FIG. 1;
FIG. 4 is a right side view of the pipettor head assembly;
FIG. 5 is a left side view of the pipettor head assembly;
FIG. 6 is a bottom view of the pipettor head assembly;
FIG. 7 is a top view of the pipettor head assembly;
FIG. 8 is a front view of the pipettor head assembly; and,
FIG. 9 is a rear view of the pipettor head assembly.

The broken lines in FIG. 7 view are included for the purpose of illustrating portions of the pipettor head assembly that form no part of the claimed design.

1 Claim, 9 Drawing Sheets



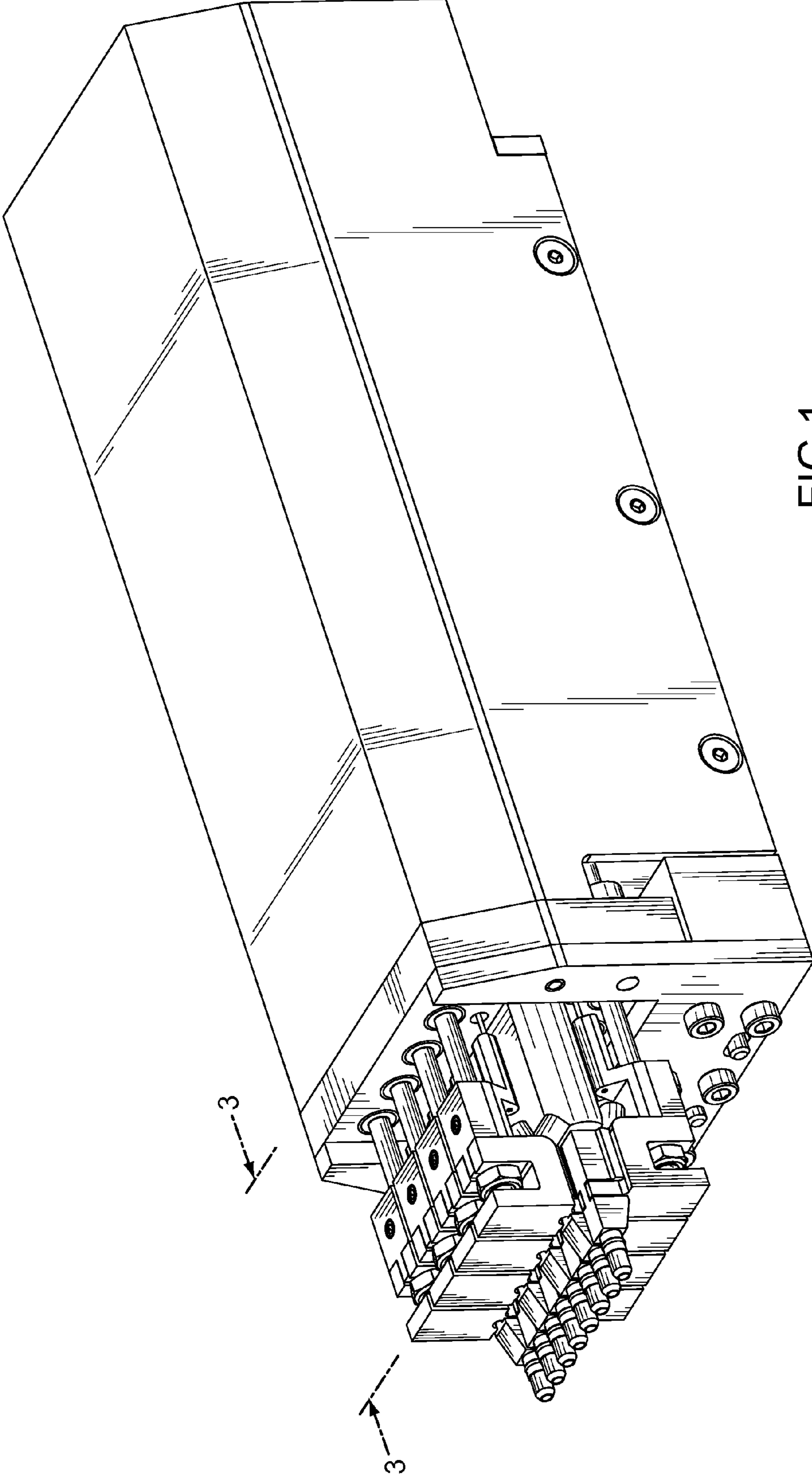


FIG.1

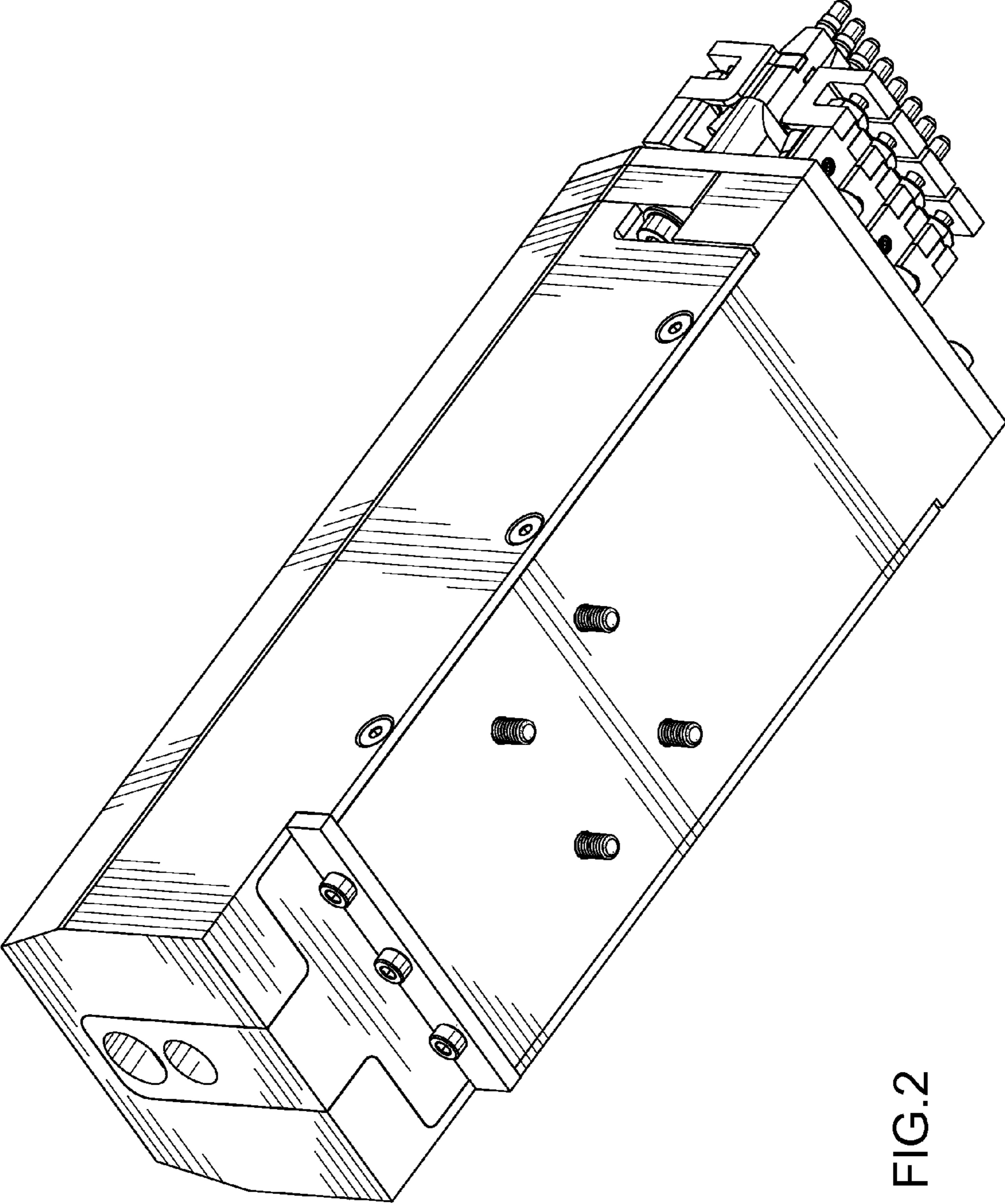


FIG. 2

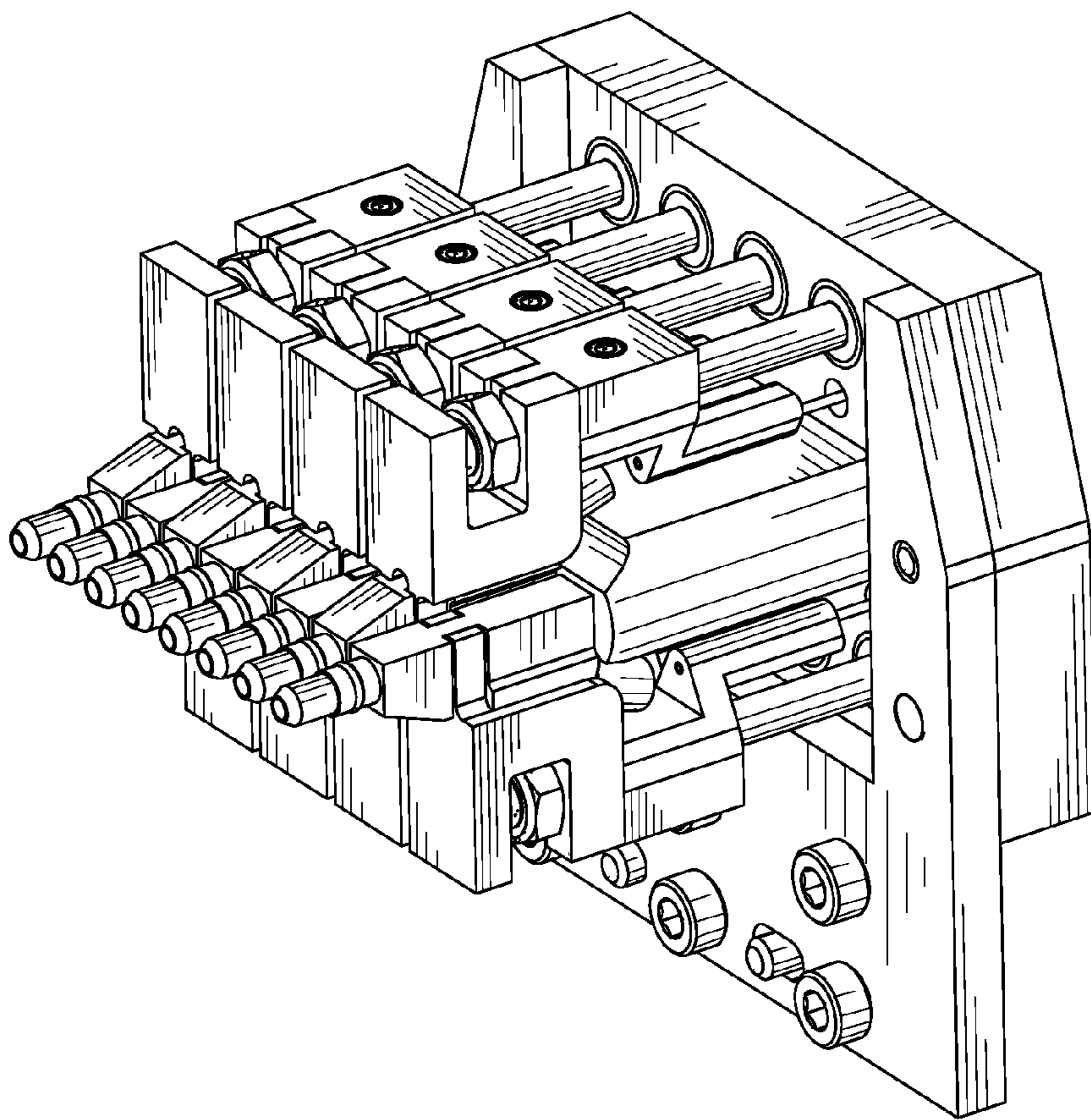


FIG.3

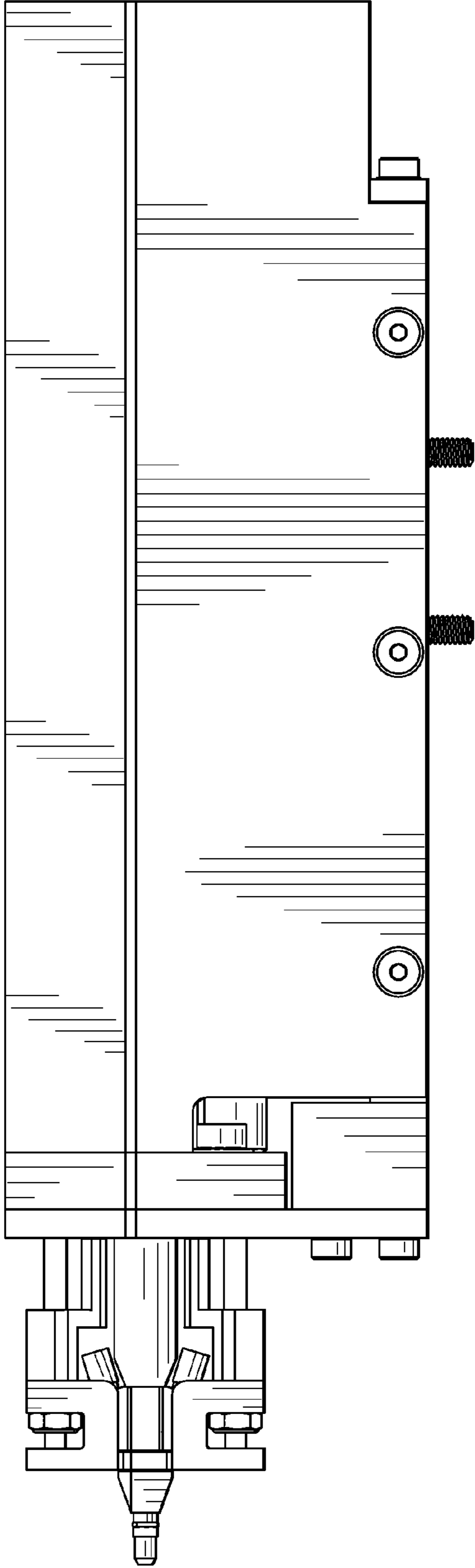


FIG.4

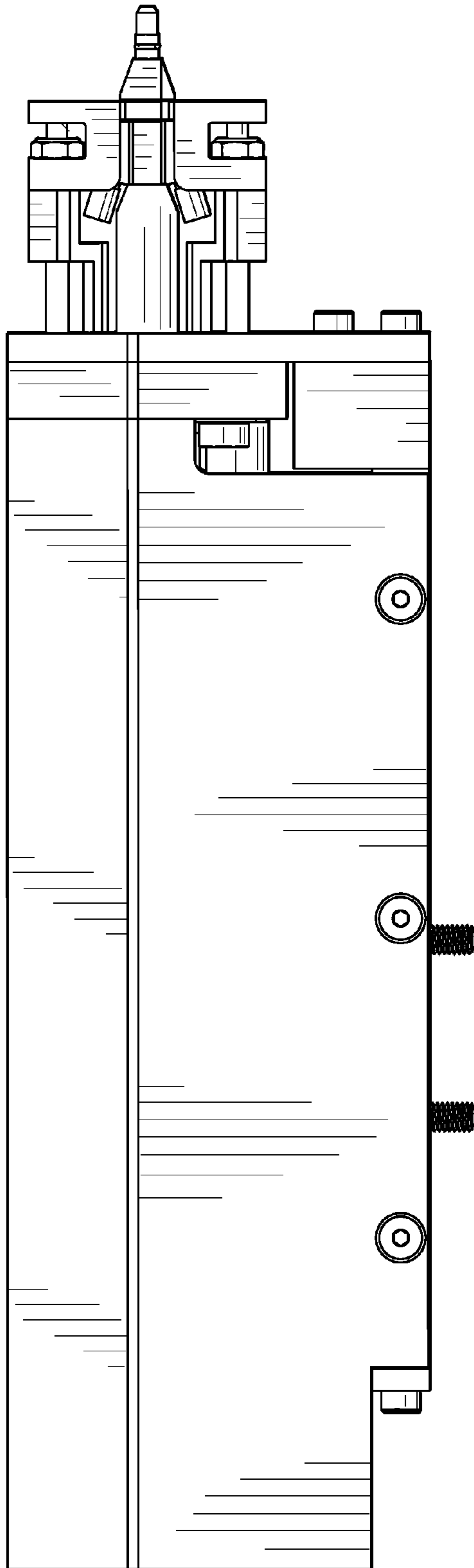


FIG.5

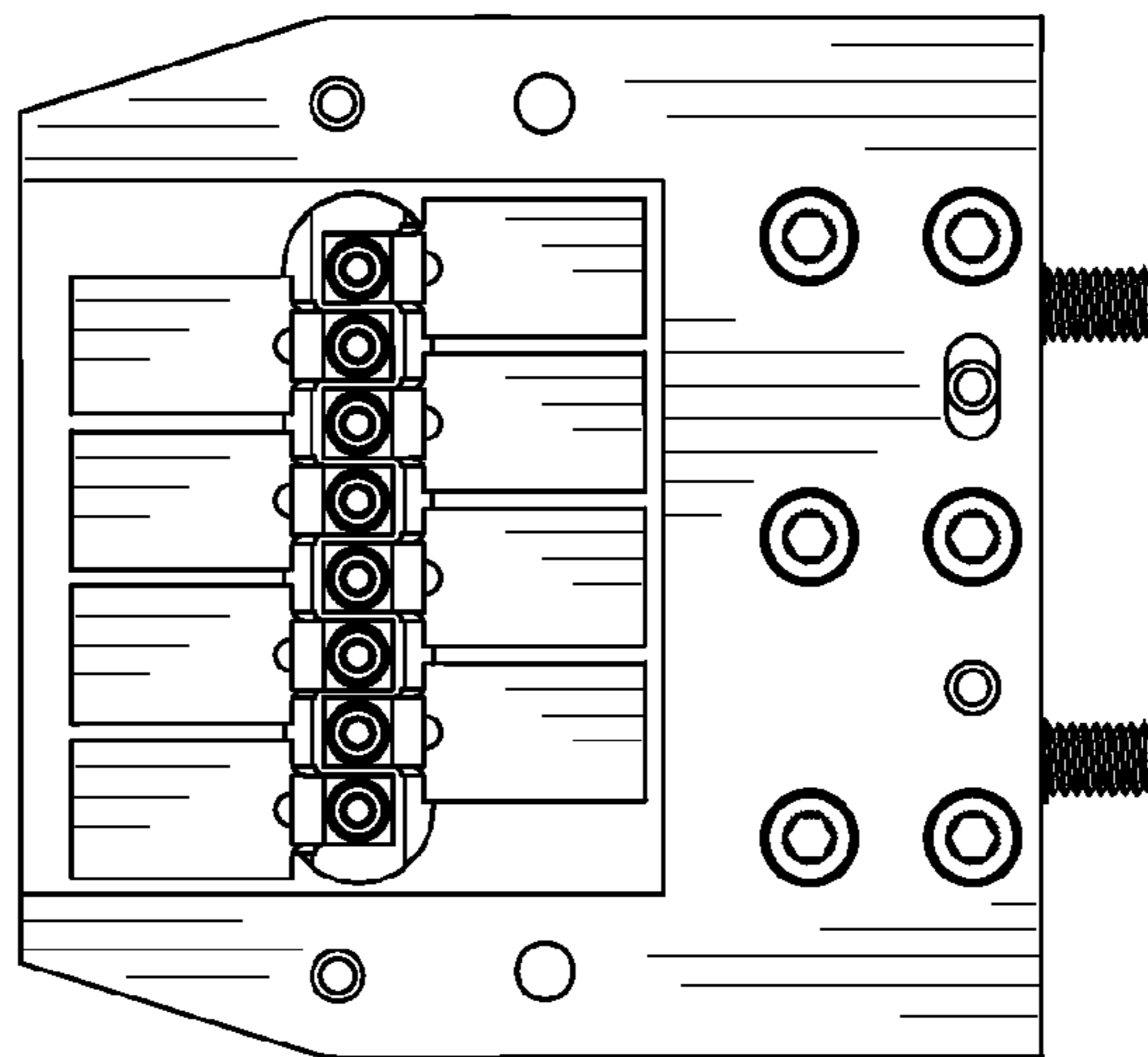


FIG.6

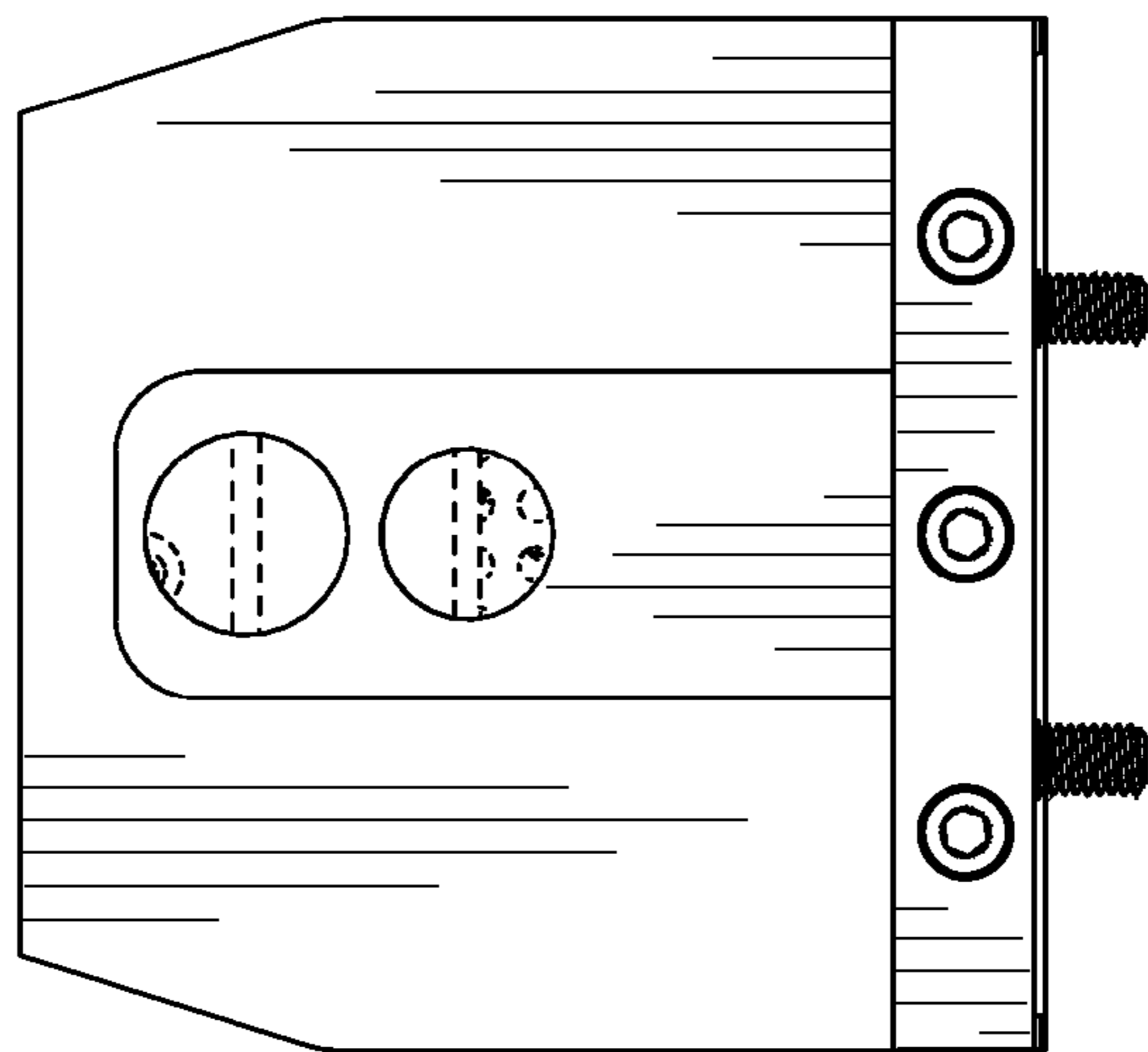


FIG.7

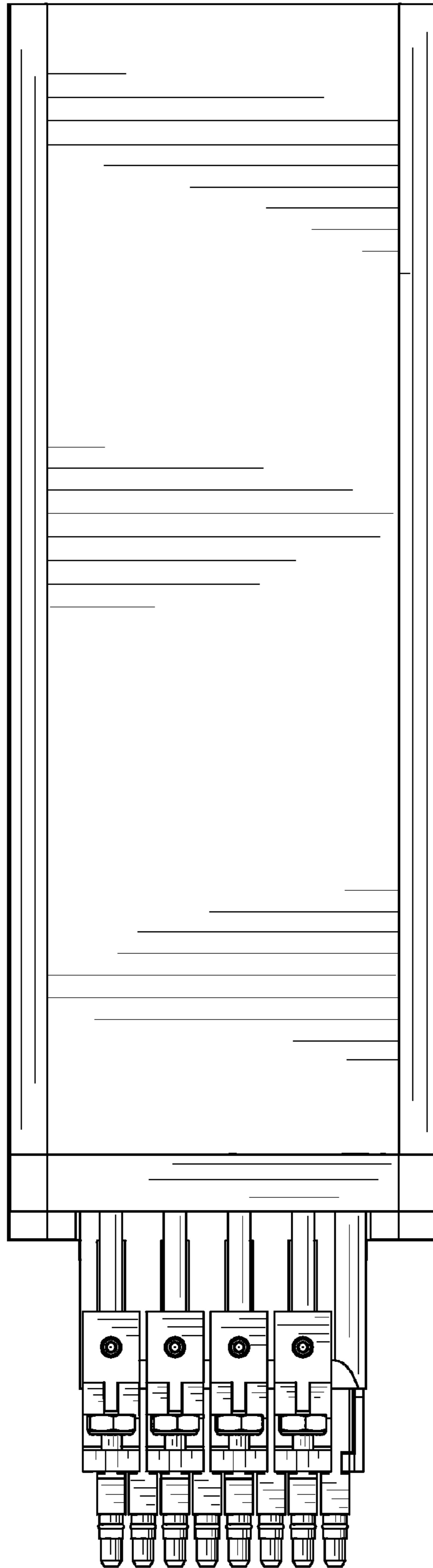


FIG.8

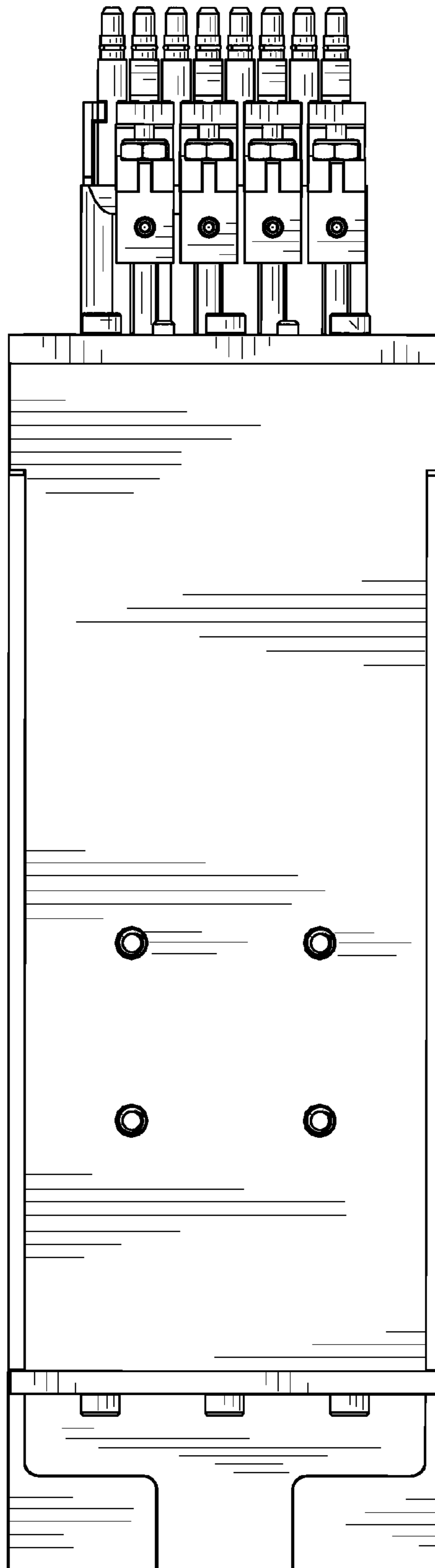


FIG.9