

US00D679813S

(12) **United States Design Patent**  
**Ashkenazi**

(10) **Patent No.:** **US D679,813 S**

(45) **Date of Patent:** **\*\* Apr. 9, 2013**

(54) **PORTABLE HEART MONITOR**

(75) Inventor: **David Ashkenazi**, Tel Aviv (IL)

(73) Assignee: **SHL Telemedicine International Ltd.**,  
Tel Aviv (IL)

(\*\*) Term: **14 Years**

(21) Appl. No.: **29/392,255**

(22) Filed: **May 19, 2011**

(51) **LOC (9) Cl.** ..... **24-01**

(52) **U.S. Cl.**  
USPC ..... **D24/167**

(58) **Field of Classification Search** ..... D24/165-168,  
D24/107, 185, 186, 187; D10/46, 78, 98;  
600/301, 382, 384, 481, 483, 485, 500-504,  
600/508, 509, 587, 30, 32; D14/336, 341,  
D14/371, 126; 607/60, 119

See application file for complete search history.

(56) **References Cited**

**U.S. PATENT DOCUMENTS**

D338,658 S *	8/1993	Suzuki	.....	D24/186
D348,104 S *	6/1994	Olsen	.....	D24/167
D405,174 S *	2/1999	Rogler	.....	D24/107
D429,336 S *	8/2000	Francis et al.	.....	D24/167
D452,012 S *	12/2001	Phillips	.....	D24/186

D536,793 S *	2/2007	Assad et al.	.....	D24/185
D554,266 S *	10/2007	Striepe et al.	.....	D24/186
D609,351 S *	2/2010	Wagener et al.	.....	D24/186
2002/0045804 A1 *	4/2002	Christopherson et al.	....	600/300

\* cited by examiner

*Primary Examiner* — Anhdao Doan

(74) *Attorney, Agent, or Firm* — Roach Brown McCarthy &  
Gruber, P.C.; Kevin D. McCarthy

(57) **CLAIM**

The ornamental design for a portable heart monitor, as shown and described.

**DESCRIPTION**

FIG. 1 illustrates a right side view of the portable heart monitor. Portions of the article shown in broken lines form no part of the claimed design.

FIG. 2 illustrates the rear view of FIG. 1. Portions of the article shown in broken lines form no part of the claimed design.

FIG. 3 illustrates the front view of FIG. 1.

FIG. 4 illustrates the top side view of FIG. 1.

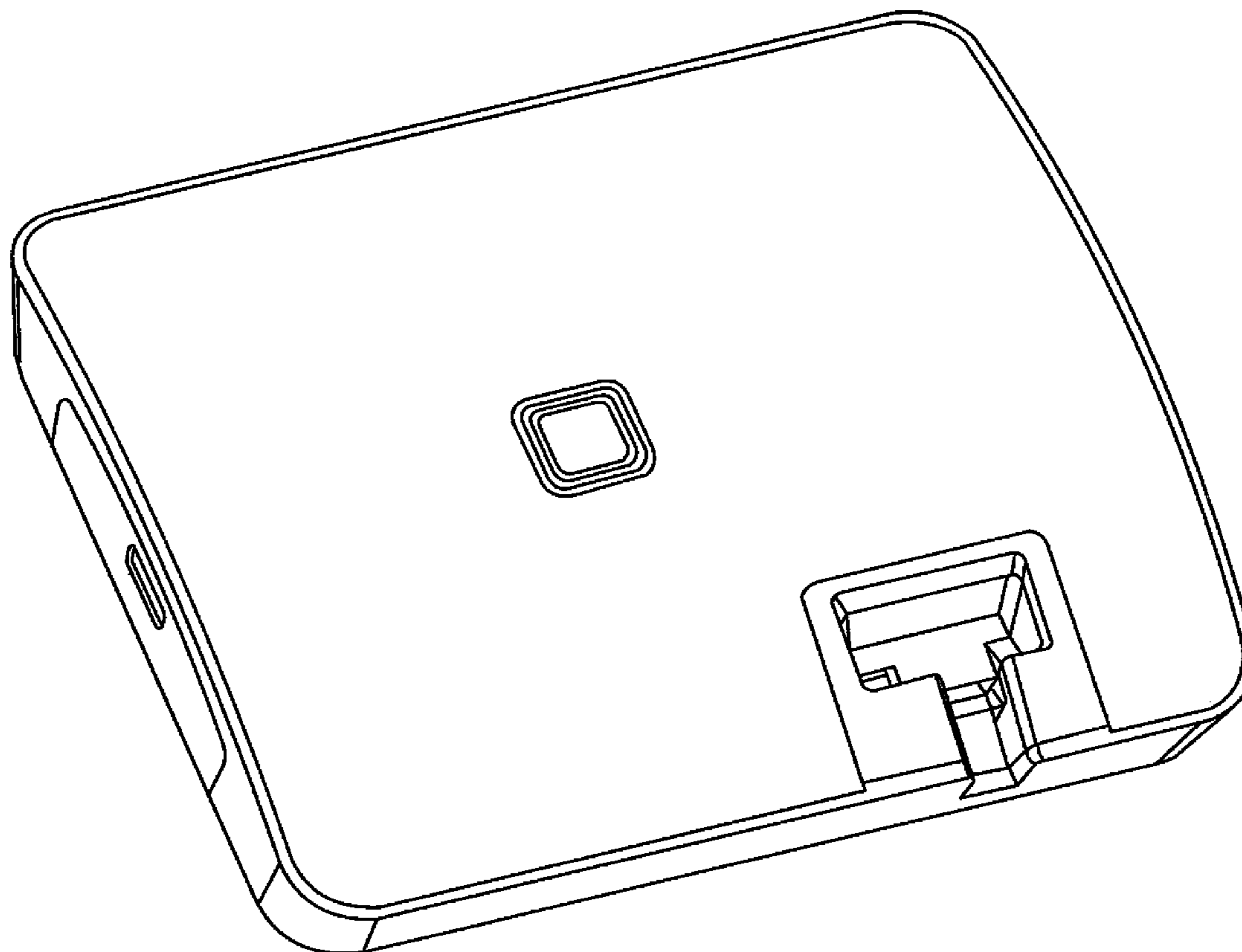
FIG. 5 illustrates the rear perspective view of FIG. 1.

FIG. 6 illustrates the front perspective view of FIG. 1.

FIG. 7 illustrates the left side view of FIG. 1; and,

FIG. 8 illustrates the bottom view of FIG. 1.

**1 Claim, 8 Drawing Sheets**



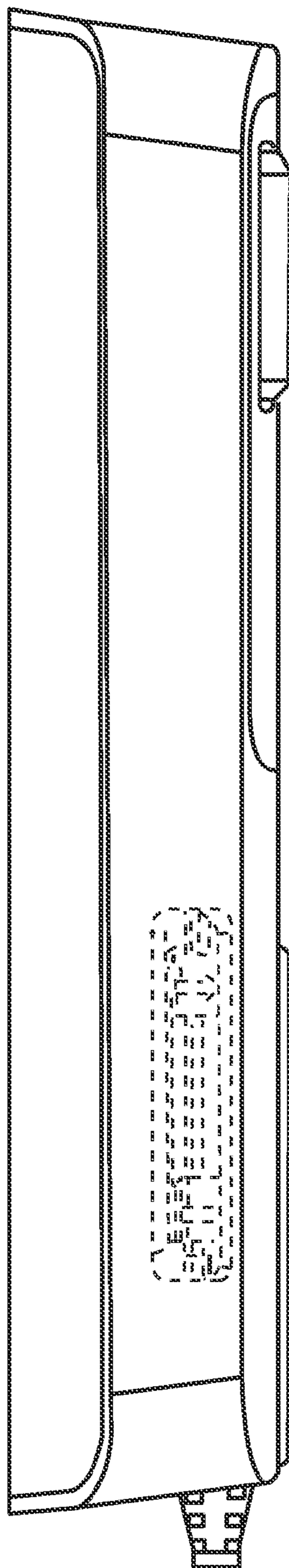


FIG. 1

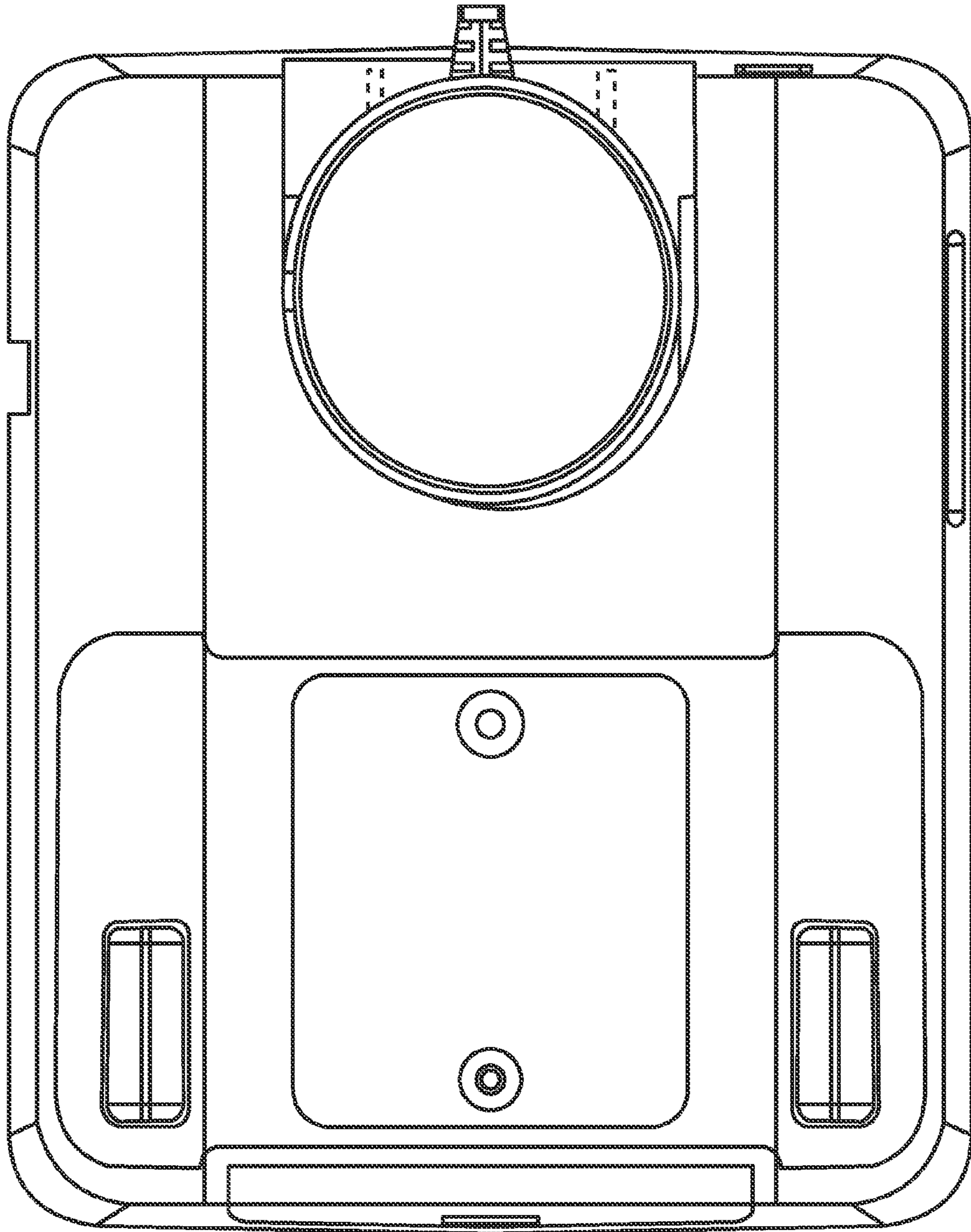


FIG. 2

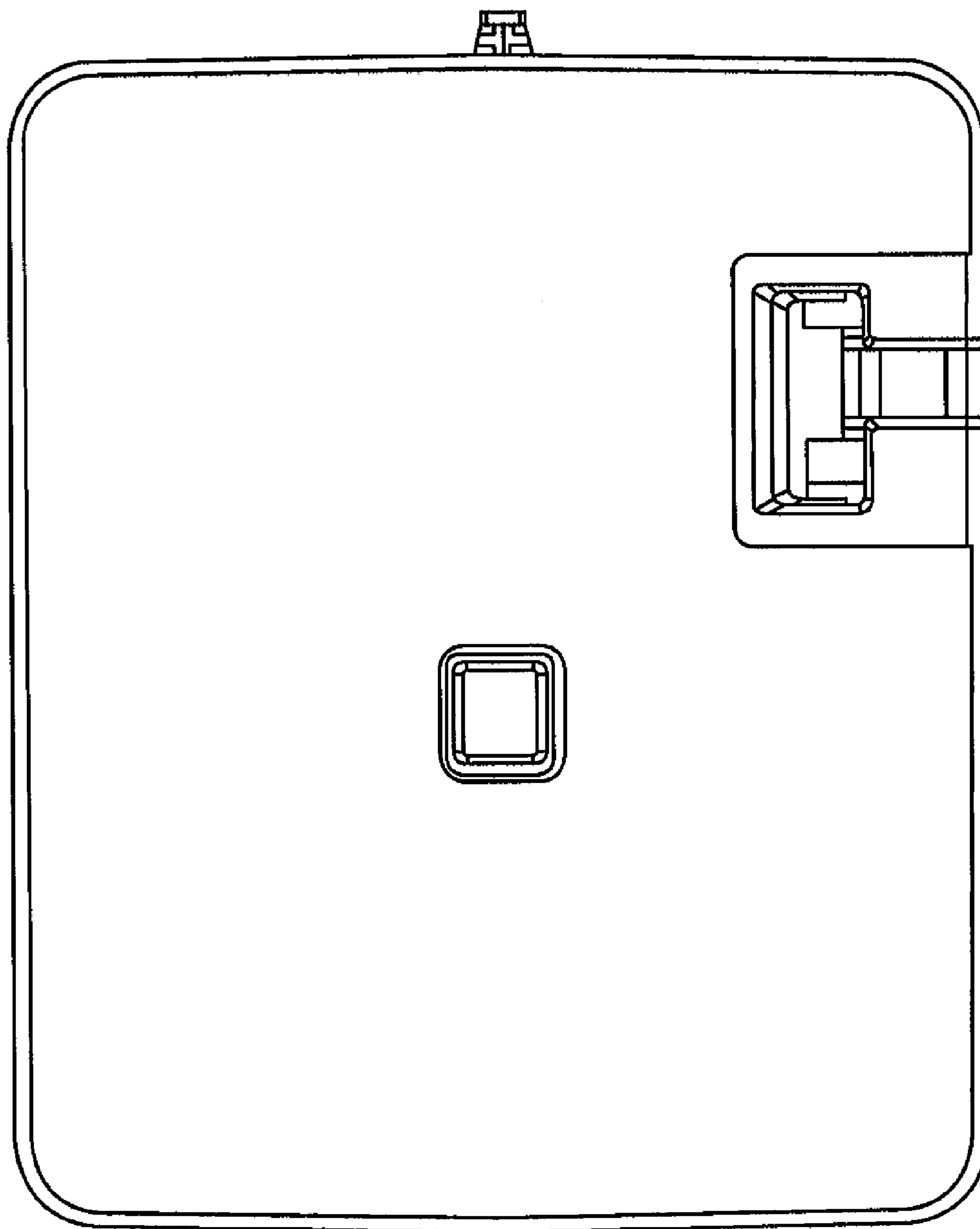


FIG. 3

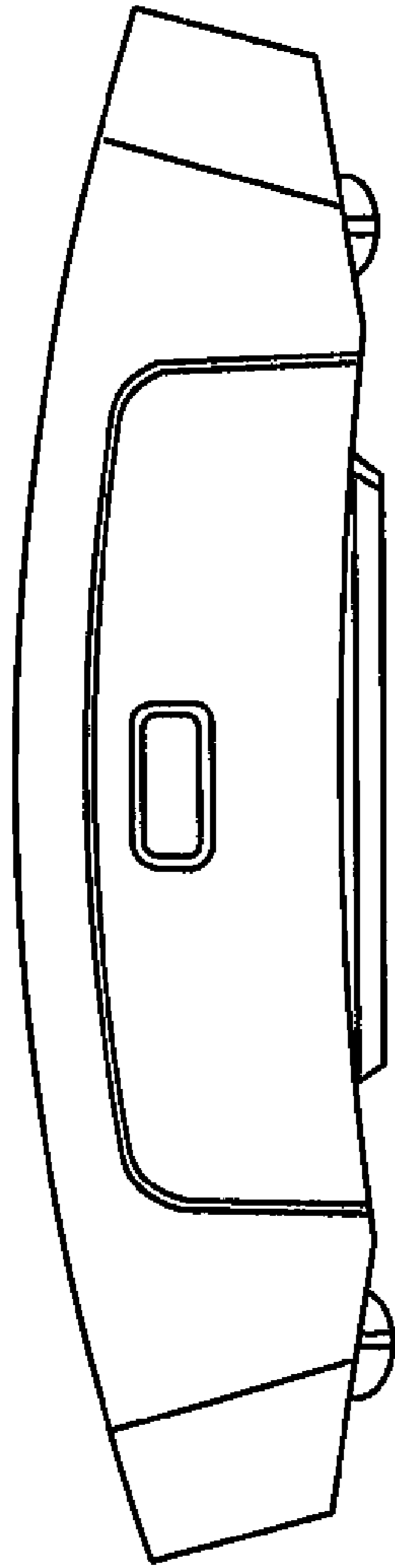


FIG. 4

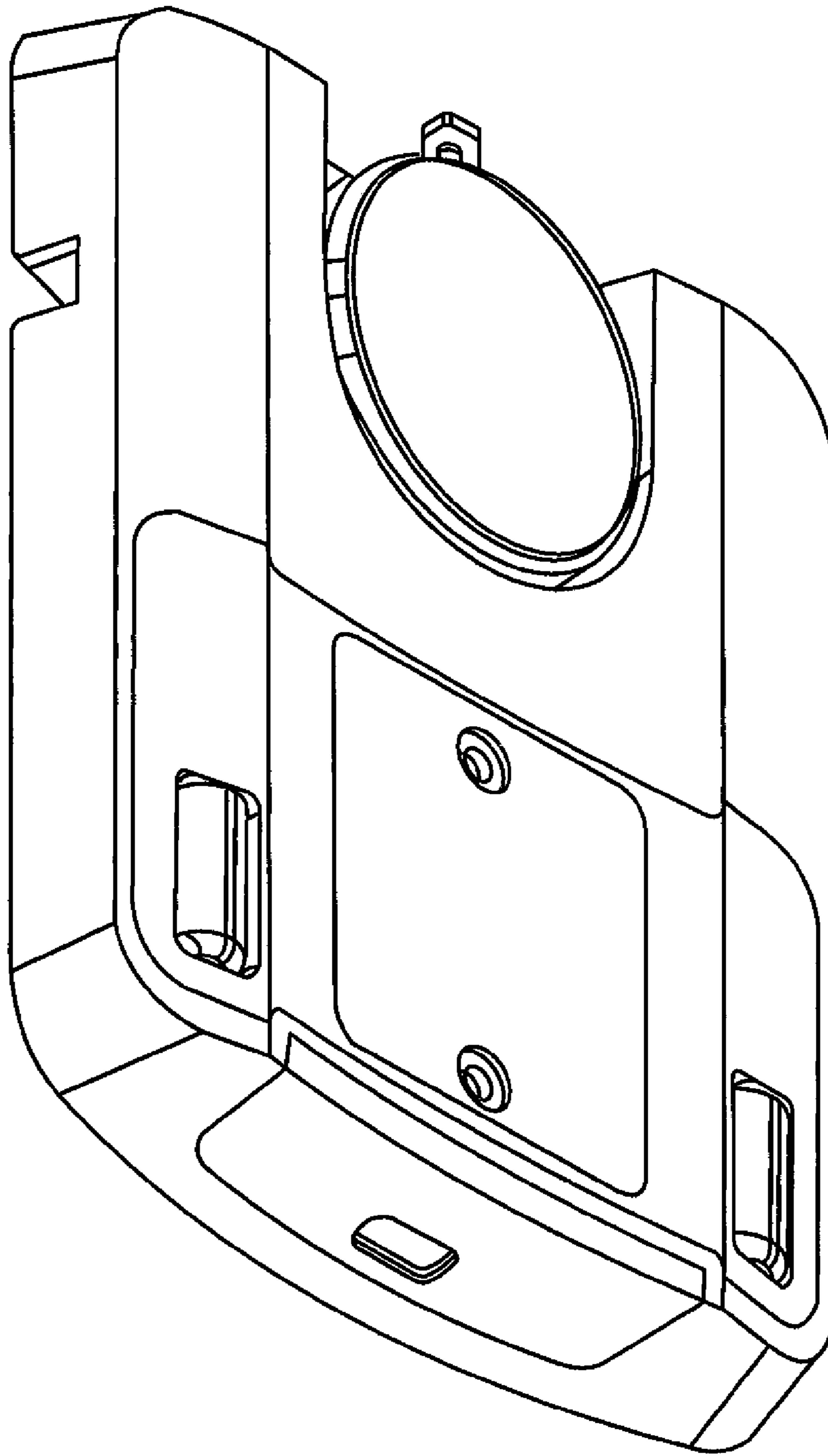


FIG. 5

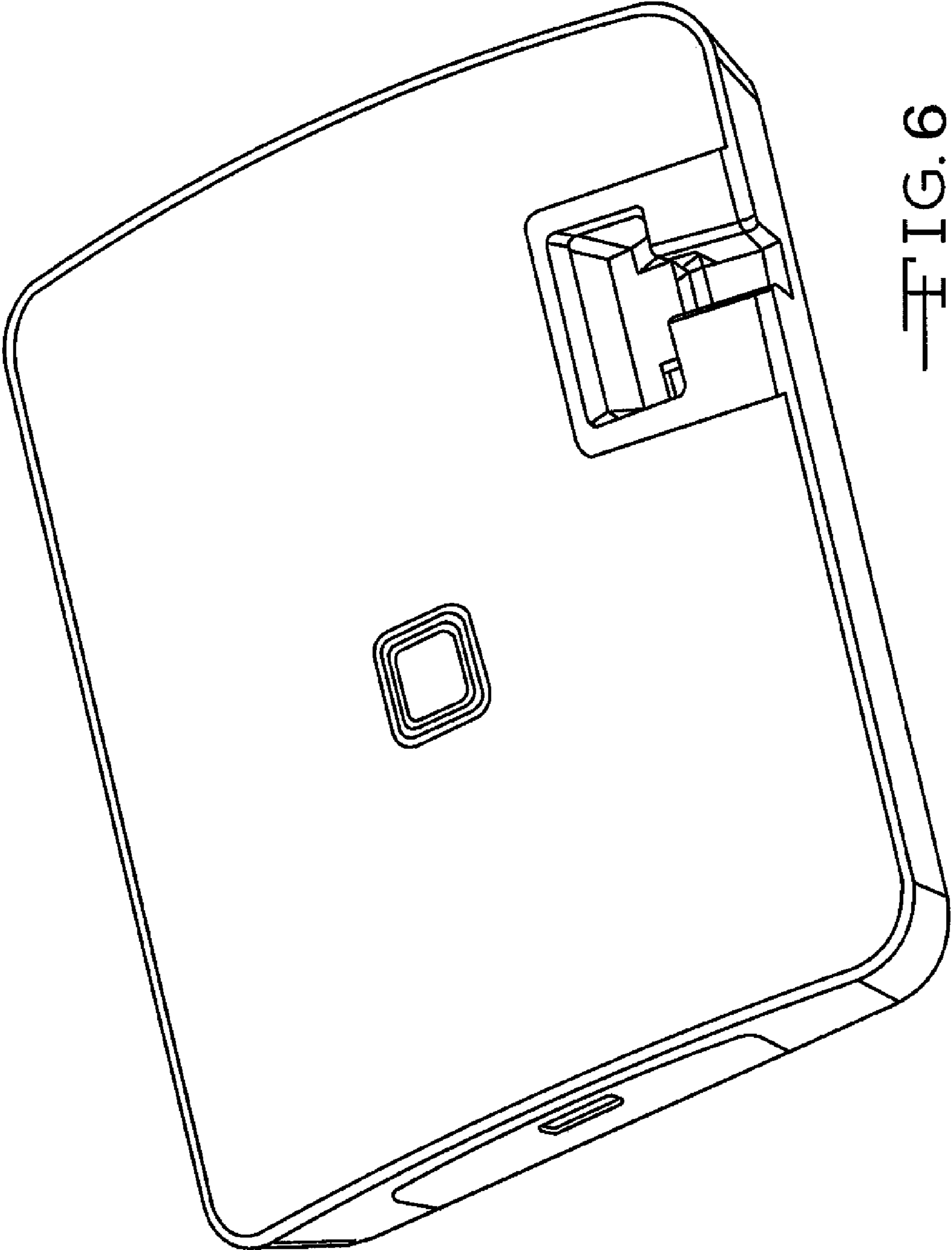


FIG. 6

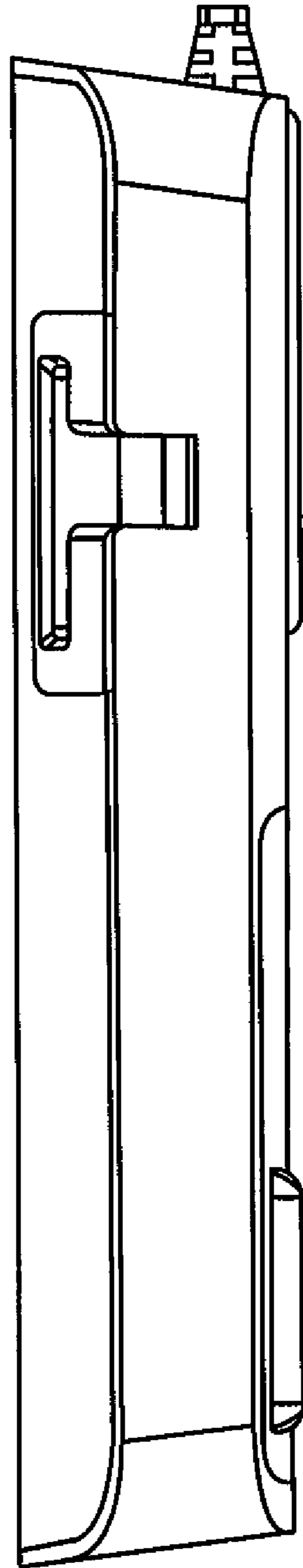


FIG. 7



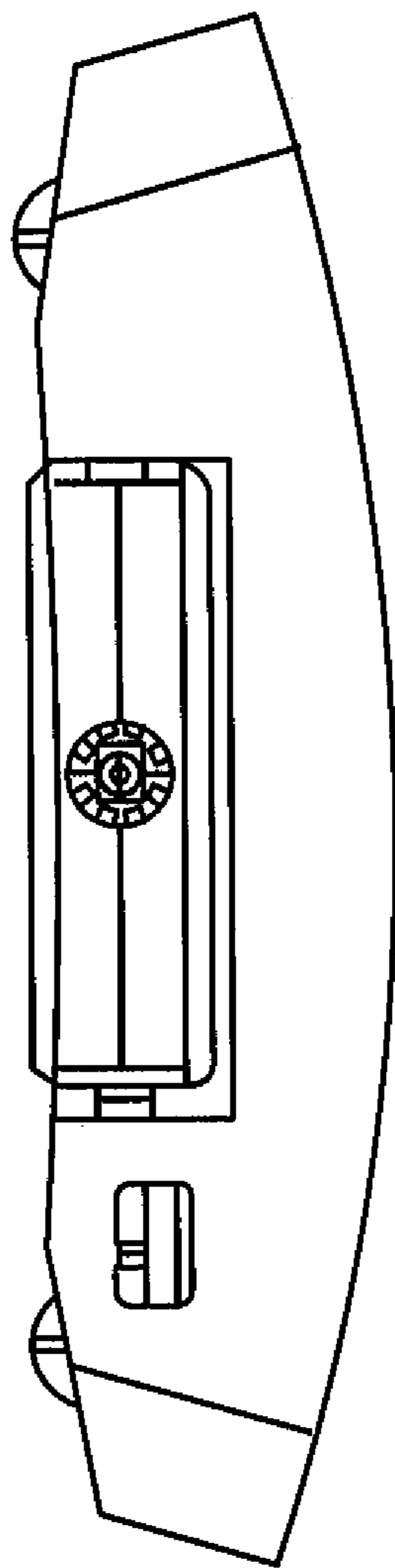


FIG. 8