

US00D679812S

(12) **United States Design Patent**
Taylor et al.

(10) **Patent No.:** **US D679,812 S**
(45) **Date of Patent:** **** Apr. 9, 2013**

(54) **FILTER**
(75) Inventors: **Todd Taylor**, Cambridge, MA (US);
Christopher Barmore, Cambridge, MA
(US); **Rob Colonna**, Boston, MA (US)

(73) Assignee: **EMD Millipore Corporation**, Billerica,
MA (US)

(**) Term: **14 Years**

(21) Appl. No.: **29/381,846**

(22) Filed: **Dec. 23, 2010**

(51) **LOC (9) Cl.** **24-01**

(52) **U.S. Cl.**
USPC **D24/162**

(58) **Field of Classification Search** D24/162,
D24/164, 169; D23/209; 210/198.2, 444-446,
210/455

See application file for complete search history.

(56) **References Cited**

U.S. PATENT DOCUMENTS

D263,078	S *	2/1982	Eddleman et al.	D24/162
4,444,661	A *	4/1984	Jackson et al.	210/446
D285,487	S *	9/1986	Tjernagel	D24/232
4,948,442	A	8/1990	Manns		
4,948,564	A	8/1990	Root et al.		
5,141,719	A	8/1992	Fernwood et al.		
5,223,133	A	6/1993	Clark et al.		
5,230,727	A *	7/1993	Pound et al.	55/492
5,620,663	A	4/1997	Aysta et al.		
5,648,271	A	7/1997	Kempe		
6,131,573	A *	10/2000	Brown	128/205.27
D441,449	S *	5/2001	Gaskell	D24/162
6,338,802	B1	1/2002	Bodner et al.		
6,419,827	B1	7/2002	Sandell et al.		
6,627,072	B1 *	9/2003	Ridge	210/149
6,864,100	B1	3/2005	Ribbe et al.		
6,878,343	B2	4/2005	Sklar et al.		
6,966,443	B1 *	11/2005	Ridge	210/446
D535,750	S *	1/2007	Clawson	D24/162

D569,685 S * 5/2008 Liu D7/398
7,588,728 B2 9/2009 Clark et al.
RE42,231 E * 3/2011 Spurgeon 73/863.23
(Continued)

FOREIGN PATENT DOCUMENTS

WO 03/049831 A2 6/2003
WO 2004/101151 A1 11/2004

OTHER PUBLICATIONS

Pall Life Sciences, May 2003, AcroPrep 24 Filtration System Product Information, 4 pages.
International Search Report/Written Opinion mailed Apr. 19, 2012 in co-pending PCT application No. PCT/US 11/63644.

(Continued)

Primary Examiner — T. Chase Nelson
Assistant Examiner — Ania Aman

(74) *Attorney, Agent, or Firm* — Nields, Lemack & Frame, LLC

(57) **CLAIM**

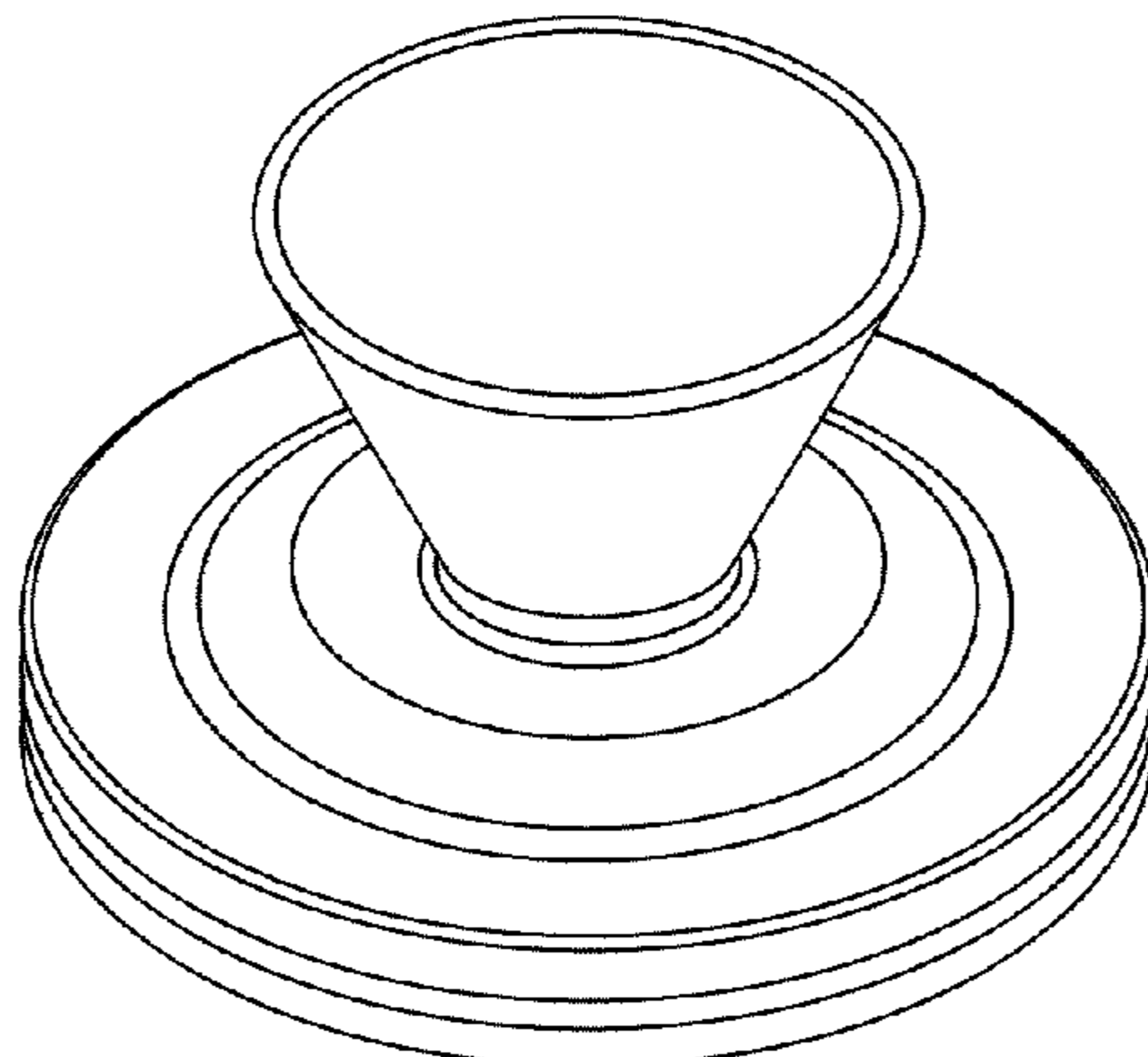
The ornamental design for a filter, as shown and described.

DESCRIPTION

FIG. 1 is a first perspective view of the filter;
FIG. 2 is a side view of the filter (the opposite side view is identical);
FIG. 3 is a bottom view of the filter;
FIG. 4 is a top view of the filter;
FIG. 5 is a second perspective view of the filter; and,
FIG. 6 is a cross-sectional view of the filter along lines 6-6 in FIG. 4.

A filter for sample preparation, particularly sample preparation suited for HPLC analysis. The filter includes an integrated funnel and seal, is can be used in conjunction with a manifold, to filter a sample into a container such as a vial that is in liquid-receiving communication with the filter.

1 Claim, 6 Drawing Sheets



US D679,812 S

Page 2

U.S. PATENT DOCUMENTS

2002/0150505 A1 10/2002 Reed et al.
2003/0057148 A1 3/2003 Zuk, Jr.
2004/0005608 A1 1/2004 Saghbini et al.
2005/0019775 A1 1/2005 Alderborn et al.
2005/0051471 A1 3/2005 Lane et al.
2005/0130196 A1 6/2005 Hofstadler et al.
2005/0178216 A1 8/2005 Pitt et al.

2012/0297899 A1 11/2012 Scott et al.

OTHER PUBLICATIONS

Ex Parte Quayle Action mailed Dec. 7, 2012 in co-pending U.S. Appl.
No. 29/381,847.

* cited by examiner

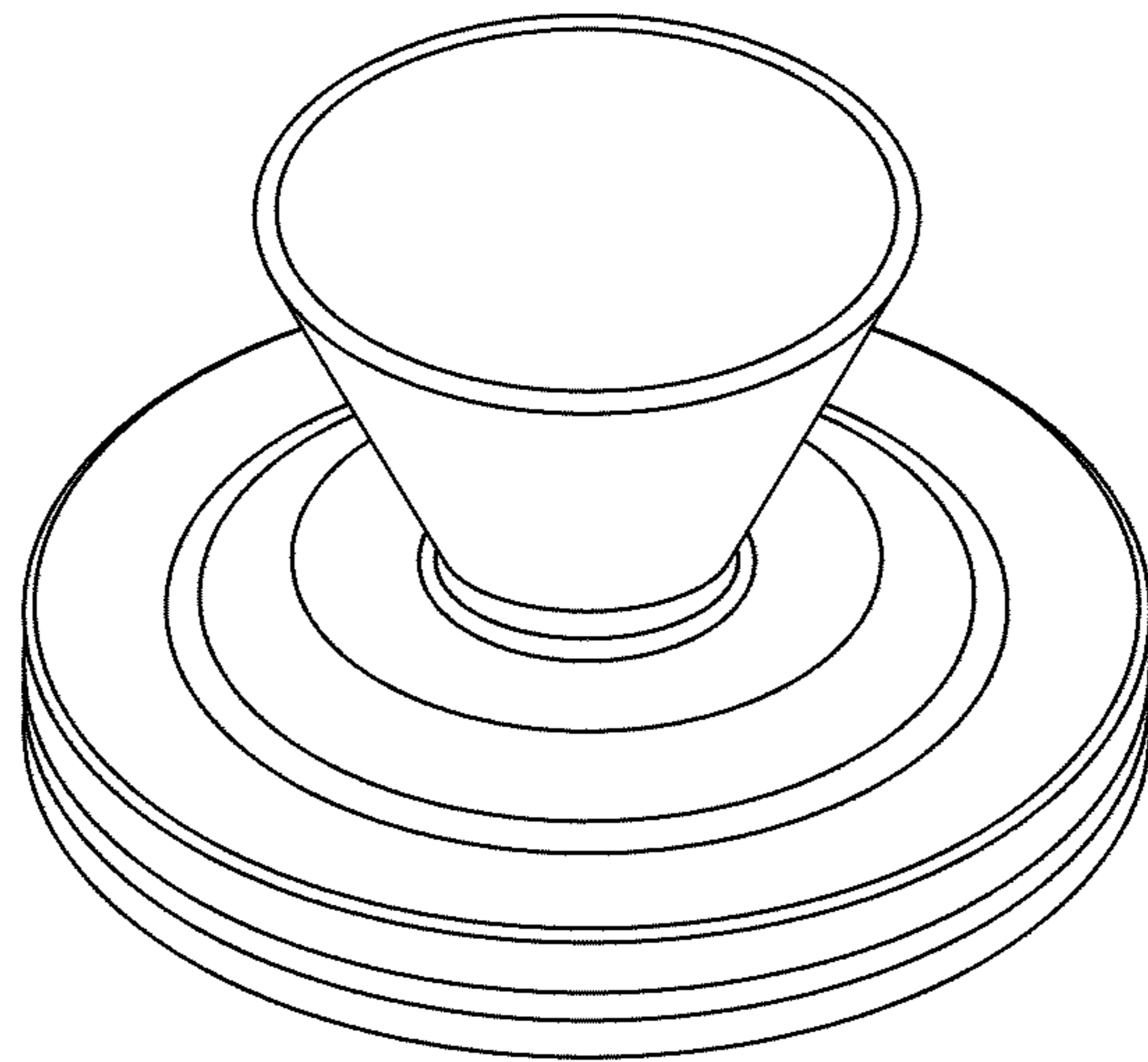


FIG. 1

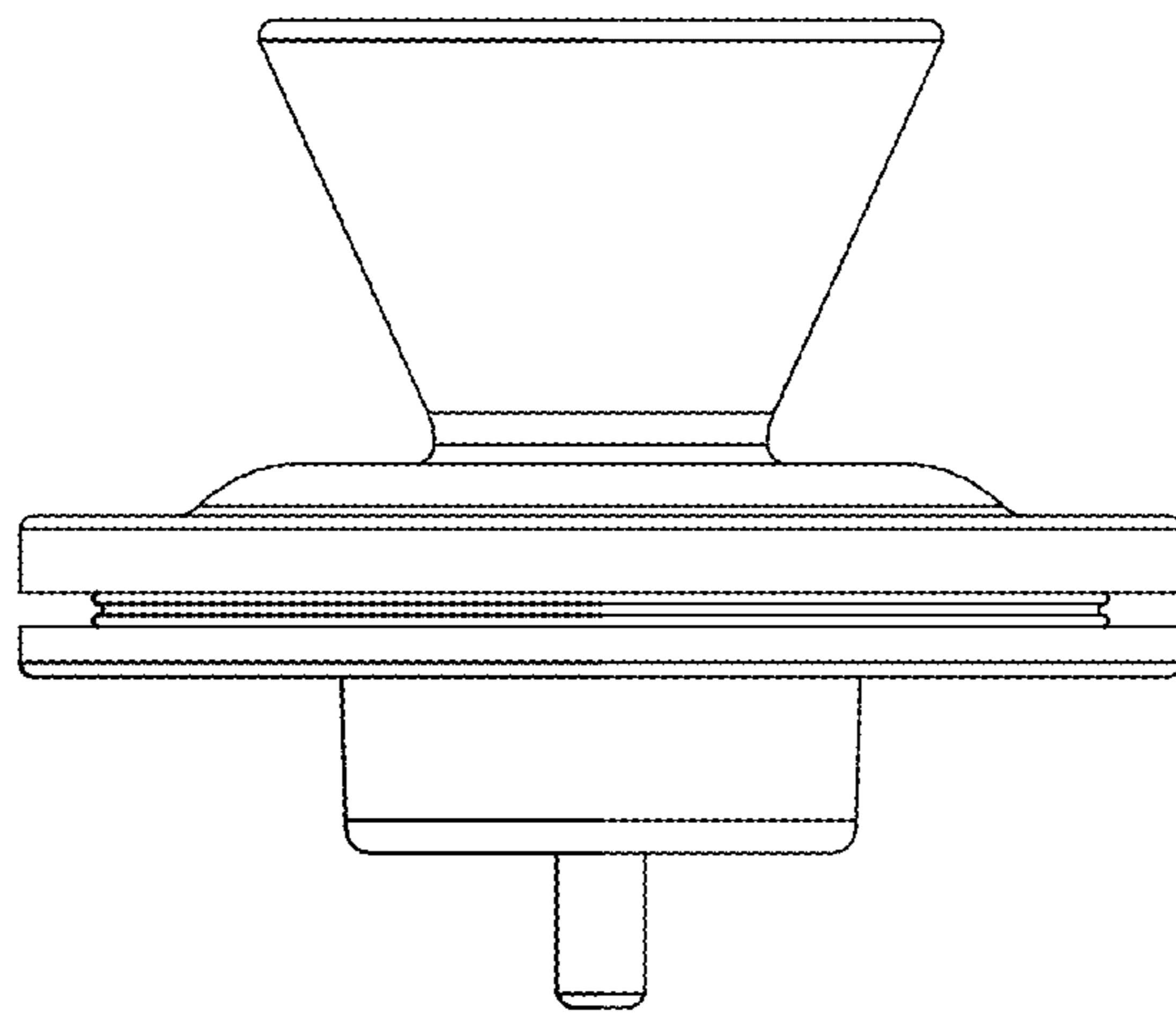


FIG. 2

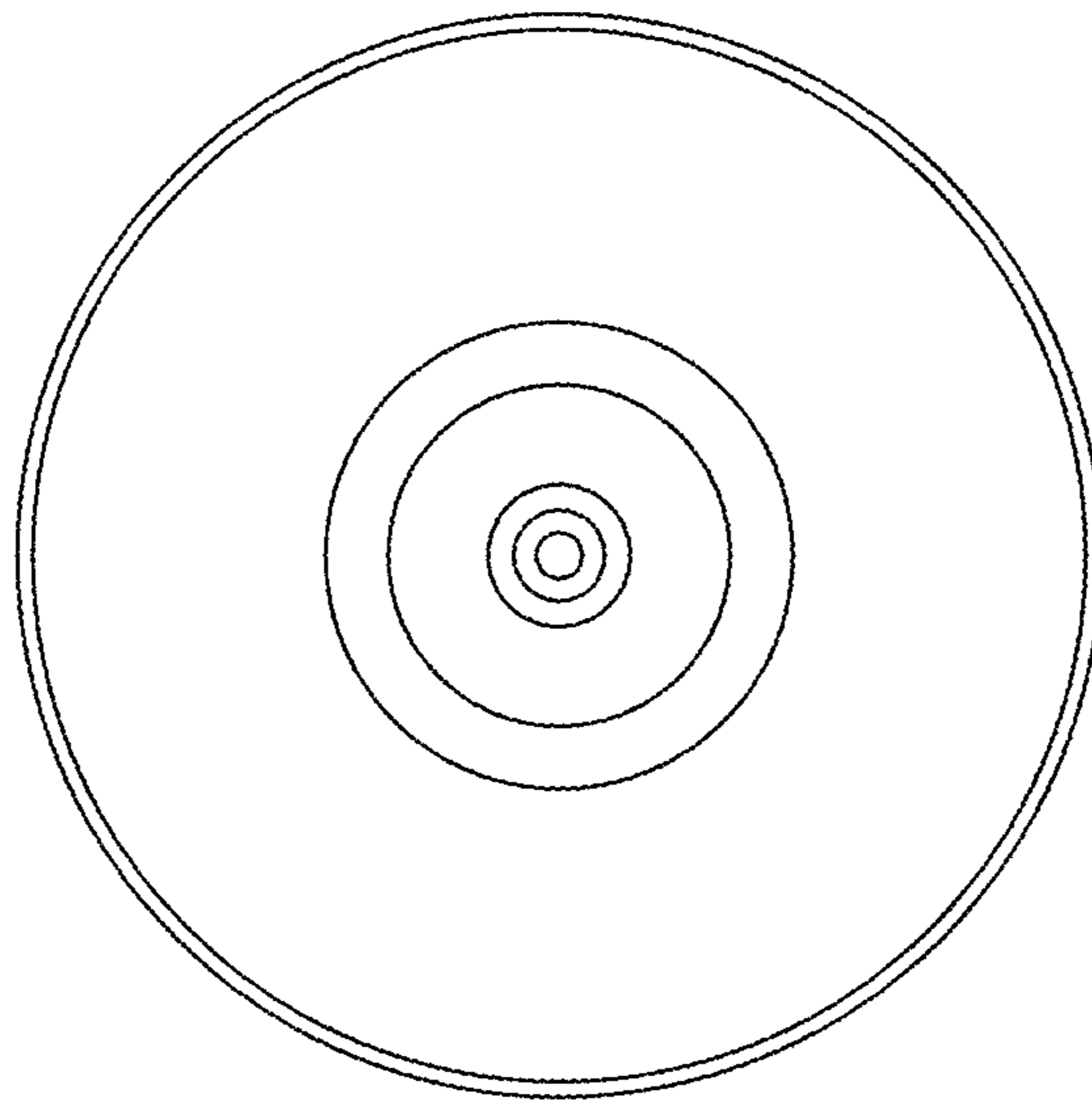


FIG. 3

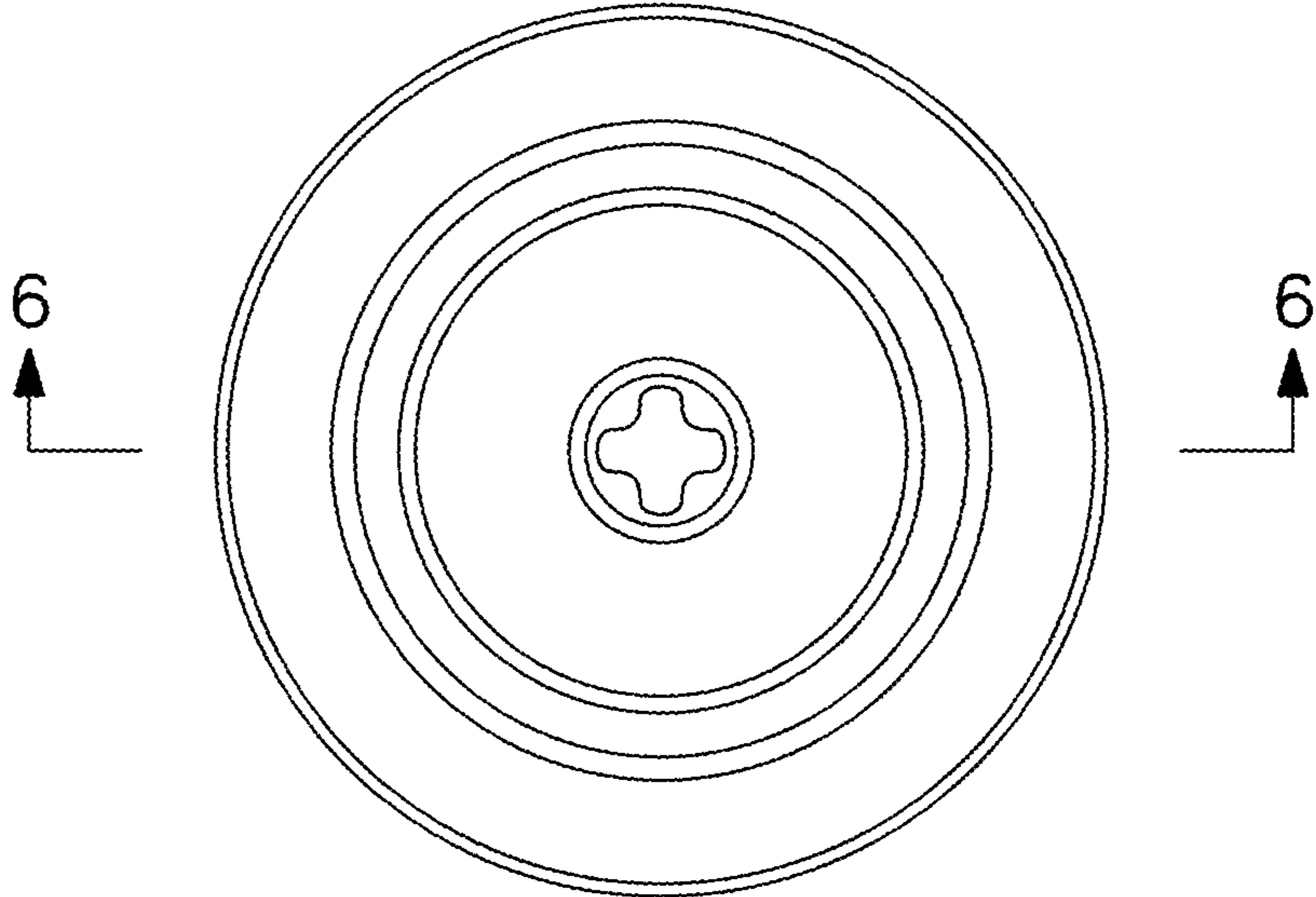


FIG. 4

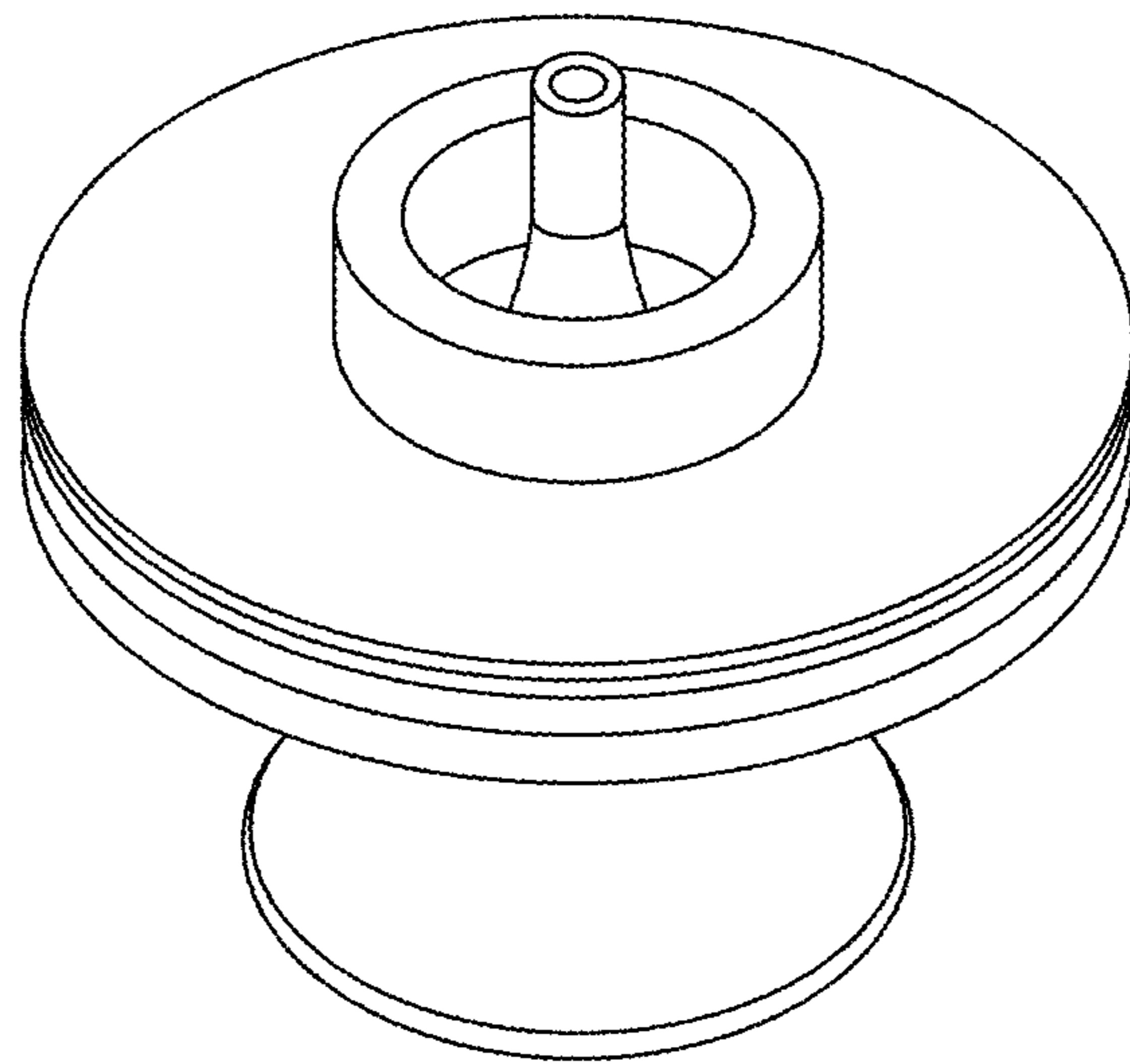


FIG. 5

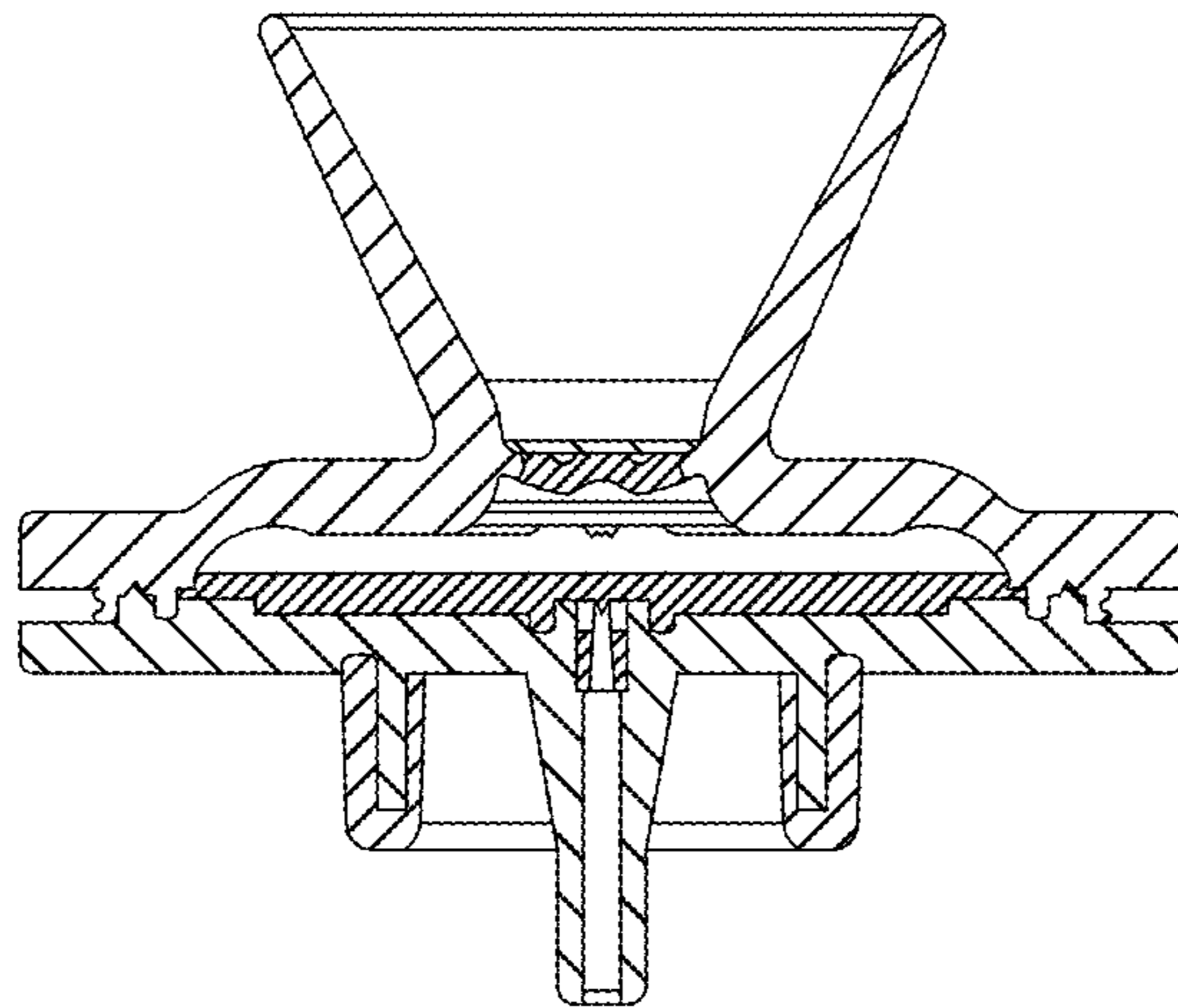


FIG. 6