

US00D679810S

(12) **United States Design Patent**
Boehm et al.

(10) **Patent No.:** **US D679,810 S**

(45) **Date of Patent:** **** *Apr. 9, 2013**

(54) **DENTAL SYRINGE**

(75) Inventors: **Andreas J. Boehm**, Reichling (DE);
Thomas Klettke, Diessen (DE)

(73) Assignee: **3M Innovative Properties Company**,
Saint Paul, MN (US)

(*) Notice: This patent is subject to a terminal disclaimer.

(**) Term: **14 Years**

(21) Appl. No.: **29/402,832**

(22) Filed: **Sep. 28, 2011**

(30) **Foreign Application Priority Data**

Mar. 28, 2011 (EM) 001267421-0001

(51) **LOC (9) Cl.** **24-02**

(52) **U.S. Cl.** **D24/130**

(58) **Field of Classification Search** D24/111-113,
D24/152, 130; 433/88-90; 222/129, 145.1,
222/145.5

See application file for complete search history.

(56) **References Cited**

U.S. PATENT DOCUMENTS

4,930,920	A	6/1990	Fitzig	
D322,317	S *	12/1991	Fischer	D24/130
5,161,715	A *	11/1992	Giannuzzi	222/82
5,190,526	A	3/1993	Murray	
5,242,414	A	9/1993	Fischell	
5,257,632	A	11/1993	Turkel	
5,324,265	A	6/1994	Murray	
5,328,462	A	7/1994	Fischer	
D353,199	S	12/1994	Frohnmayr	
5,378,233	A	1/1995	Haber	
5,387,103	A	2/1995	Fischer	
D357,065	S	4/1995	Castellini	
D409,305	S	5/1999	Martin	
6,116,900	A *	9/2000	Ostler	433/89
6,197,006	B1	3/2001	Wiklund	
6,283,946	B1 *	9/2001	Fischer	604/218

6,398,761	B1 *	6/2002	Bills et al.	604/191
6,415,679	B1	7/2002	Chiodo	
6,484,904	B1	11/2002	Horner	
6,732,887	B2 *	5/2004	Bills	222/154
6,874,661	B2	4/2005	Timmerman	
D520,807	S	5/2006	Morgan	
D556,320	S	11/2007	Boclet	
7,367,475	B2	5/2008	Hörth	
7,424,318	B2 *	9/2008	Brister et al.	600/347

(Continued)

FOREIGN PATENT DOCUMENTS

CA	2298984	3/1999
CA	2441479	9/2002

(Continued)

OTHER PUBLICATIONS

International Search Report PCT/US2010/023450 Feb. 10, 2011, 6 pgs.

(Continued)

Primary Examiner — Eric Goodman

(74) *Attorney, Agent, or Firm* — Carlos M. Téllez; 3M Innovative Properties Company

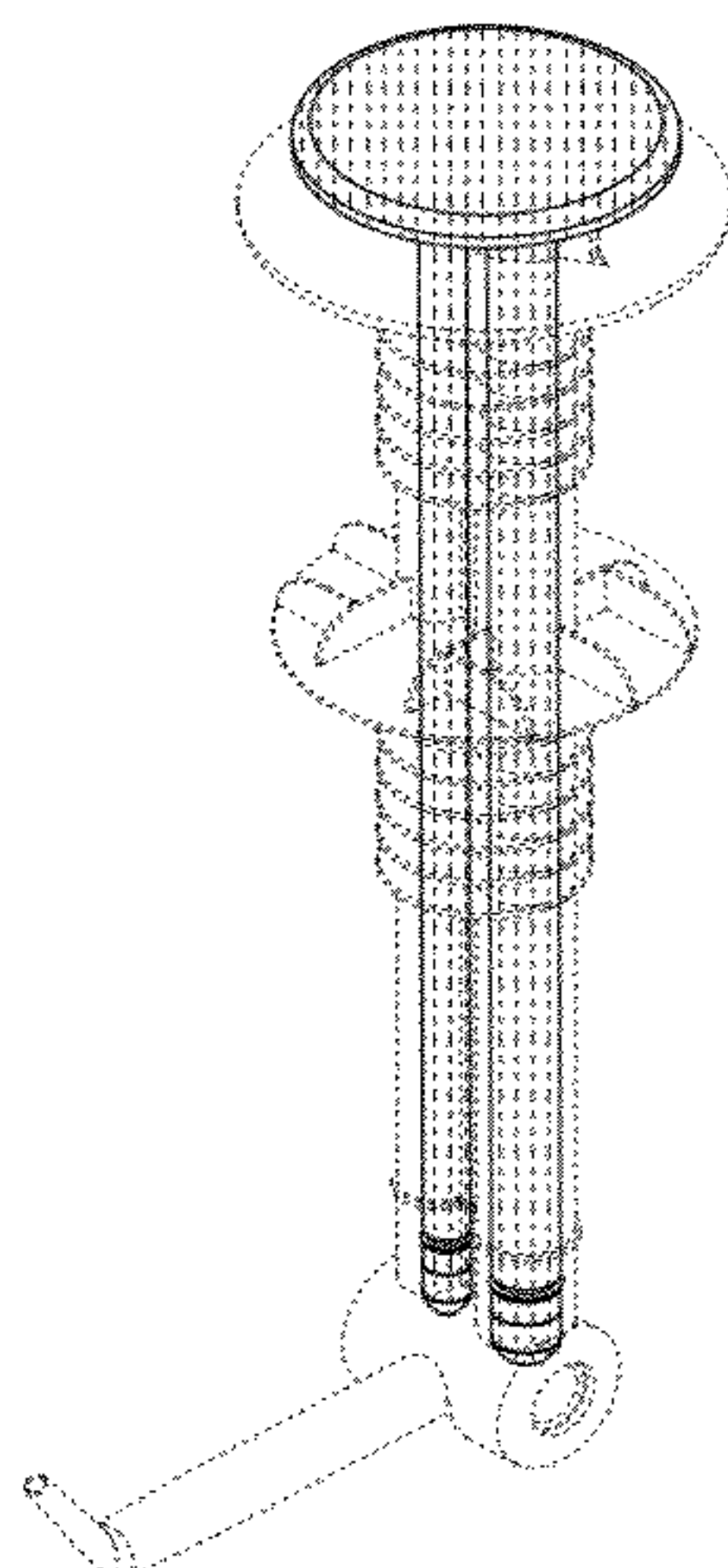
(57) **CLAIM**

The ornamental design for a dental syringe, as shown and described.

DESCRIPTION

FIG. 1 is a perspective view showing the new design for a dental syringe;
FIG. 2 is a right side view thereof;
FIG. 3 is a left side view thereof;
FIG. 4 is a top view thereof;
FIG. 5 is a bottom view thereof;
FIG. 6 is a front view thereof; and,
FIG. 7 is a back view thereof.
The broken line showing is included for the purpose of illustrating environment and forms no part of the claimed design.
The drawings are lined for color.

1 Claim, 4 Drawing Sheets



US D679,810 S

Page 2

U.S. PATENT DOCUMENTS

7,467,003	B2 *	12/2008	Brister et al.	600/347
7,530,808	B2	5/2009	Cao	
7,740,479	B2	6/2010	Allred	
7,761,130	B2 *	7/2010	Simpson et al.	600/345
7,766,191	B2 *	8/2010	Jackson et al.	222/137
7,831,287	B2 *	11/2010	Brister et al.	600/347
D645,140	S *	9/2011	Peuker et al.	D24/114
D645,959	S *	9/2011	Peuker et al.	D24/114
D650,897	S *	12/2011	Peuker et al.	D24/114
D650,898	S *	12/2011	Peuker et al.	D24/114
D650,899	S *	12/2011	Peuker et al.	D24/114
D650,900	S *	12/2011	Peuker et al.	D24/114
8,074,843	B2 *	12/2011	Keller	222/137
2001/0039401	A1	11/2001	Ferguson	
2002/0001790	A1	1/2002	Qualliotine	
2002/0099355	A1	7/2002	Chen	
2002/0183698	A1	12/2002	Quinn	
2003/0004465	A1	1/2003	Ferguson	
2003/0060777	A1	3/2003	Benz	
2004/0024361	A1	2/2004	Fago	
2004/0064102	A1 *	4/2004	Yamada	604/191
2004/0116875	A1	6/2004	Fischer	
2004/0234923	A1 *	11/2004	Larsen et al.	433/89
2004/0236281	A1	11/2004	Popovsky	
2005/0197630	A1	9/2005	Wicklund	
2005/0202365	A1 *	9/2005	Cao et al.	433/89
2006/0009742	A1	1/2006	Solazzo	
2006/0178618	A1	8/2006	Lowenstein	
2006/0287639	A1	12/2006	Sharp	
2007/0051750	A1	3/2007	Suchan	
2007/0060878	A1	3/2007	Bonnette	
2007/0167868	A1	7/2007	Sauer	
2007/0250005	A1	10/2007	Fago	
2007/0260258	A1	11/2007	Sommerich	
2007/0270743	A1	11/2007	Ackerman	
2008/0083782	A1	4/2008	Heusser	
2010/0028831	A1 *	2/2010	Pierson	433/90

FOREIGN PATENT DOCUMENTS

CA	2587777	5/2006
CN	1463760	12/2003
CZ	1998-2233	2/2000
DE	1938028	1/1971
DE	3729979	3/1989
DE	3730910	3/1989
DE	3731703	4/1989
EP	0372892	6/1990
EP	1134001	9/2001
EP	1170055	1/2002
EP	1440706	7/2004
FR	2701211	8/1994
FR	2769491	4/1999
FR	2770407	5/1999
FR	2784033	4/2000
FR	2784034	4/2000
GB	2339545	12/2002
IL	156556	2/2010
TW	527933	4/2003
WO	94/08638	4/1994
WO	96/08440	3/1996
WO	98/13094	4/1998
WO	00/07539	2/2000
WO	00/69488	11/2000
WO	2004/058326	7/2004
WO	2004/069037	8/2004
WO	2005/016170	2/2005
WO	2005/016783	2/2005
WO	2007/056051	5/2007
WO	2007/095769	8/2007
WO	2007/104037	9/2007
WO	2008/048568	4/2008
WO	2008/051925	5/2008
WO	2010/093575	8/2010

OTHER PUBLICATIONS

Search Report in Application No. GB0902354.0, May 22, 2009, 4 pgs.

* cited by examiner

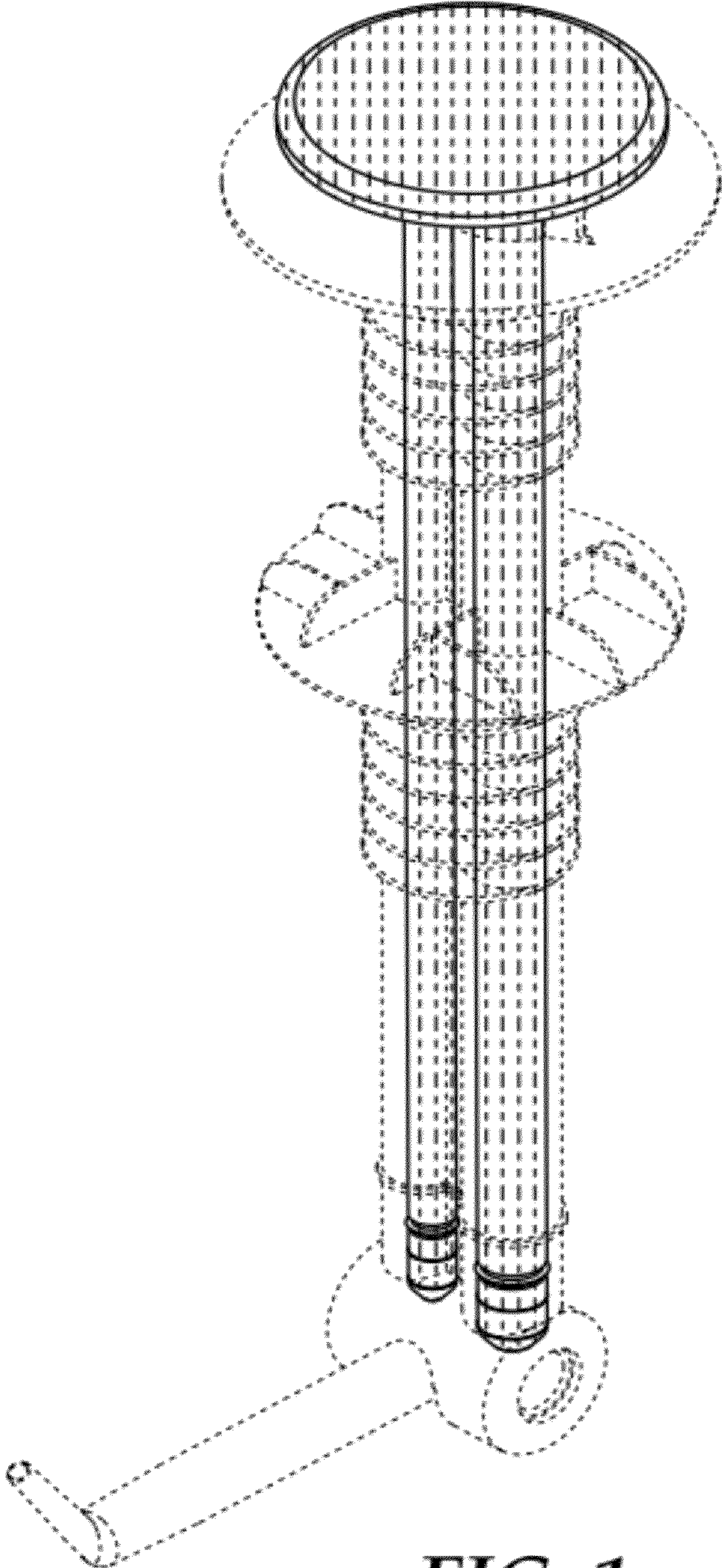


FIG. 1

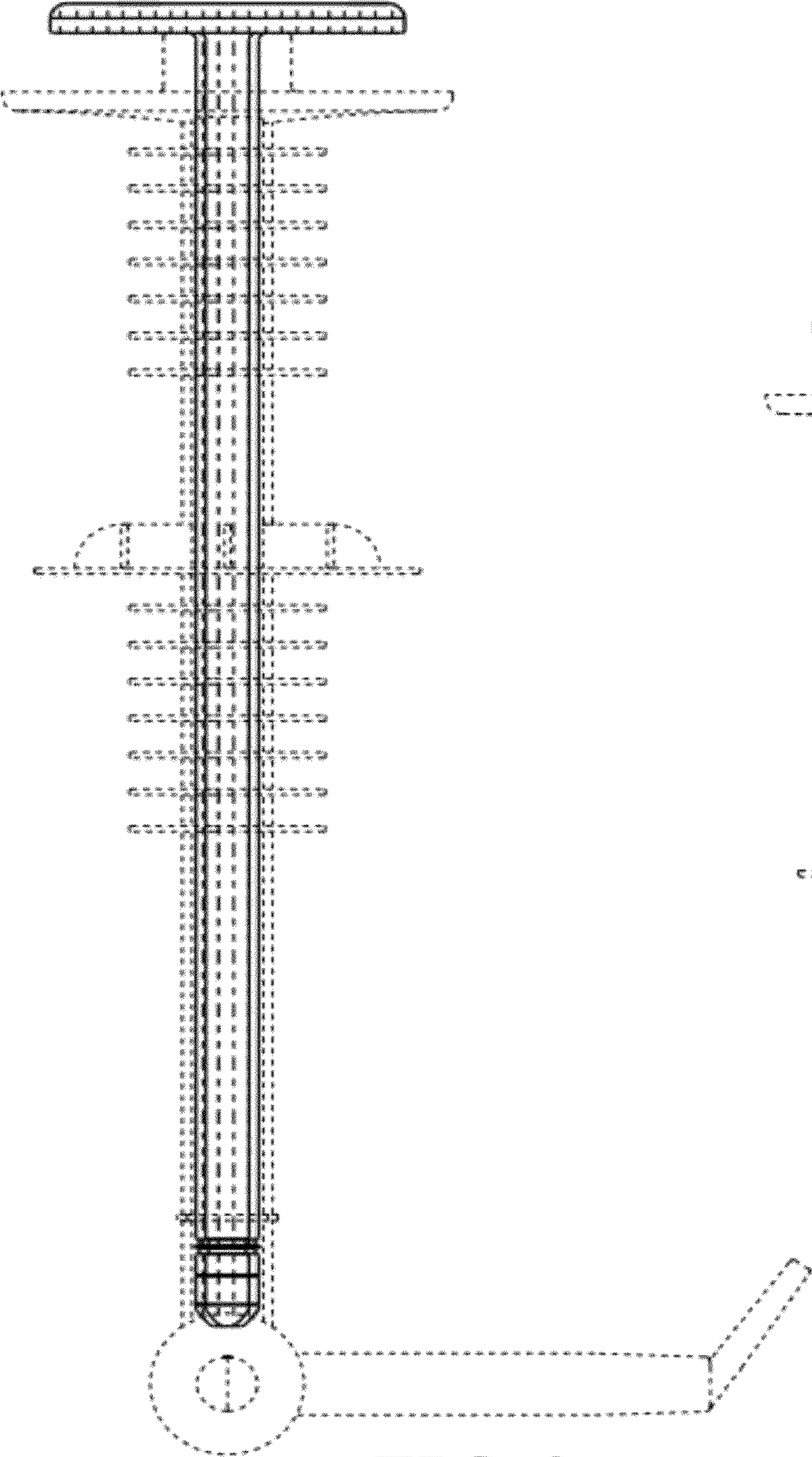


FIG. 2

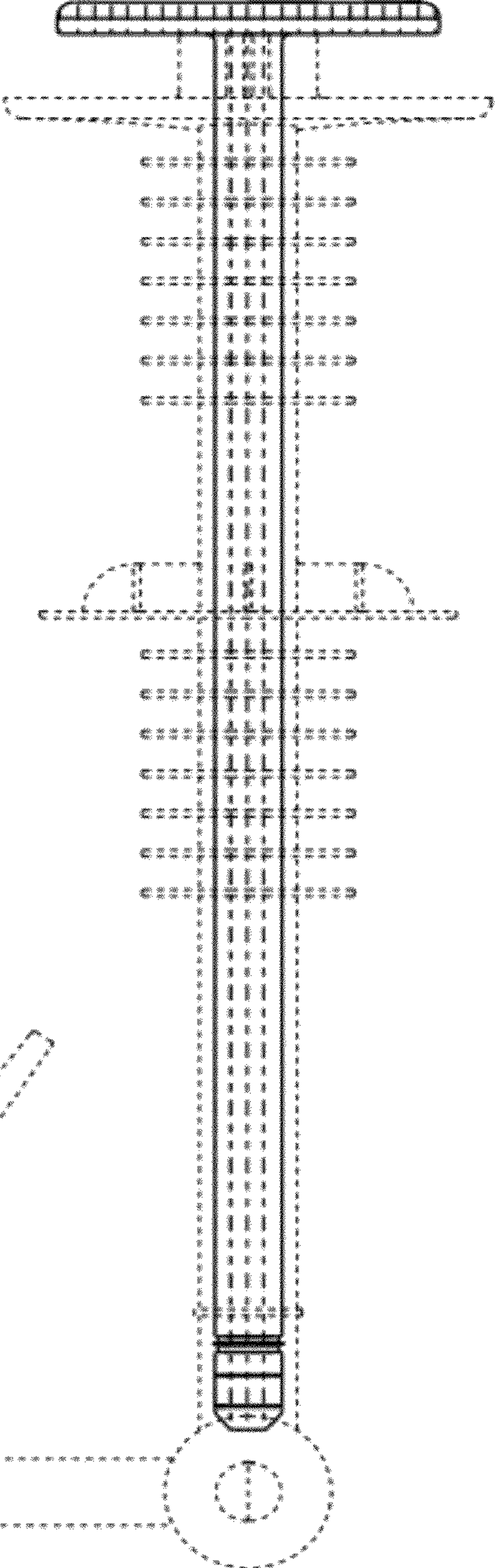


FIG. 3

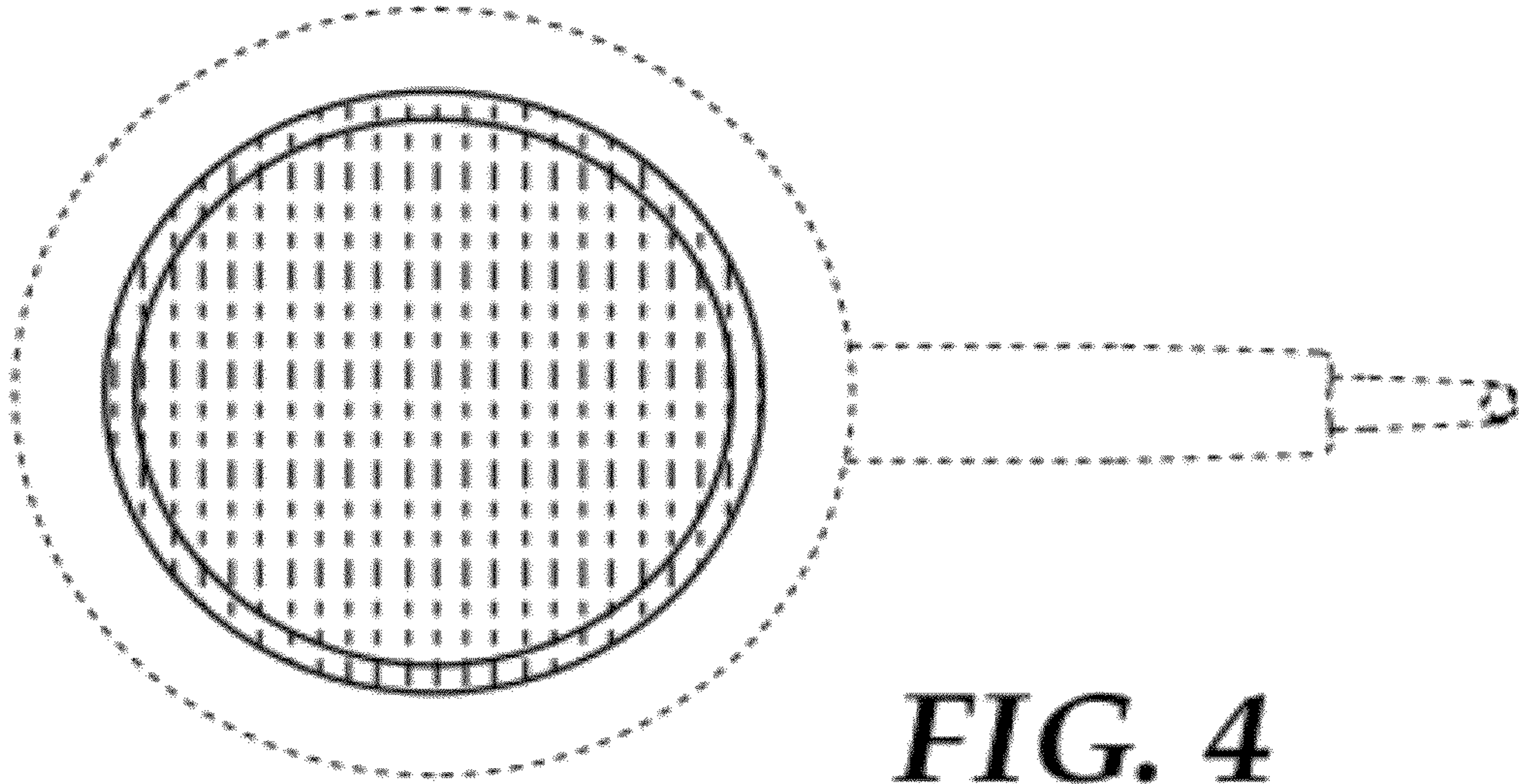


FIG. 4

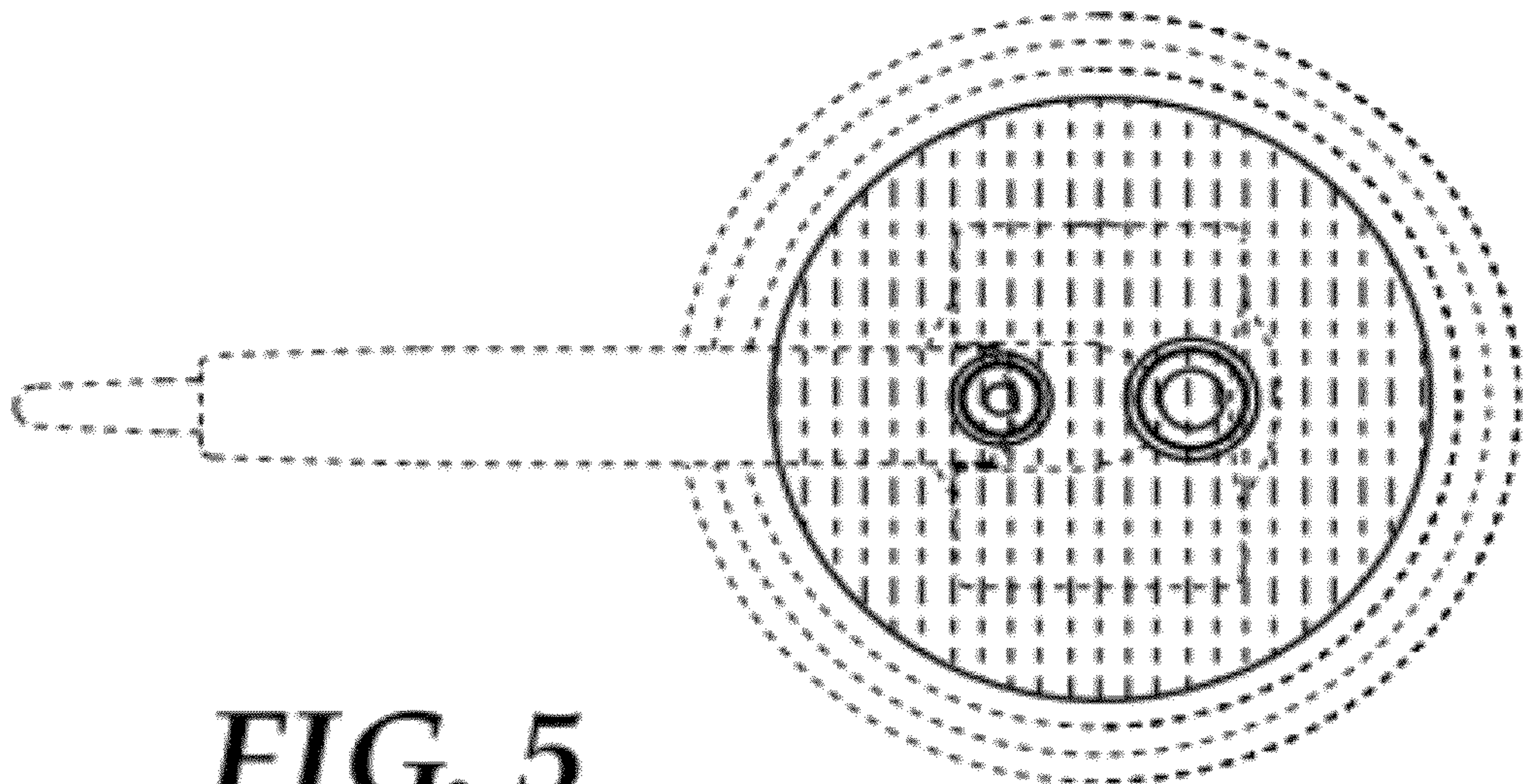


FIG. 5

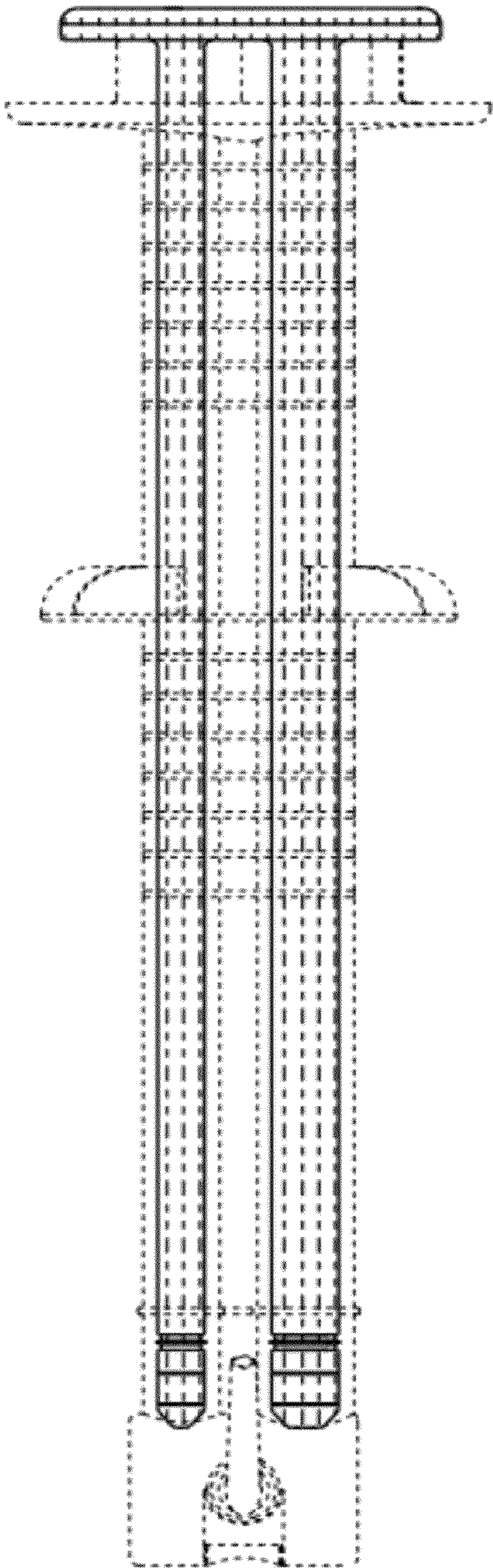


FIG. 6

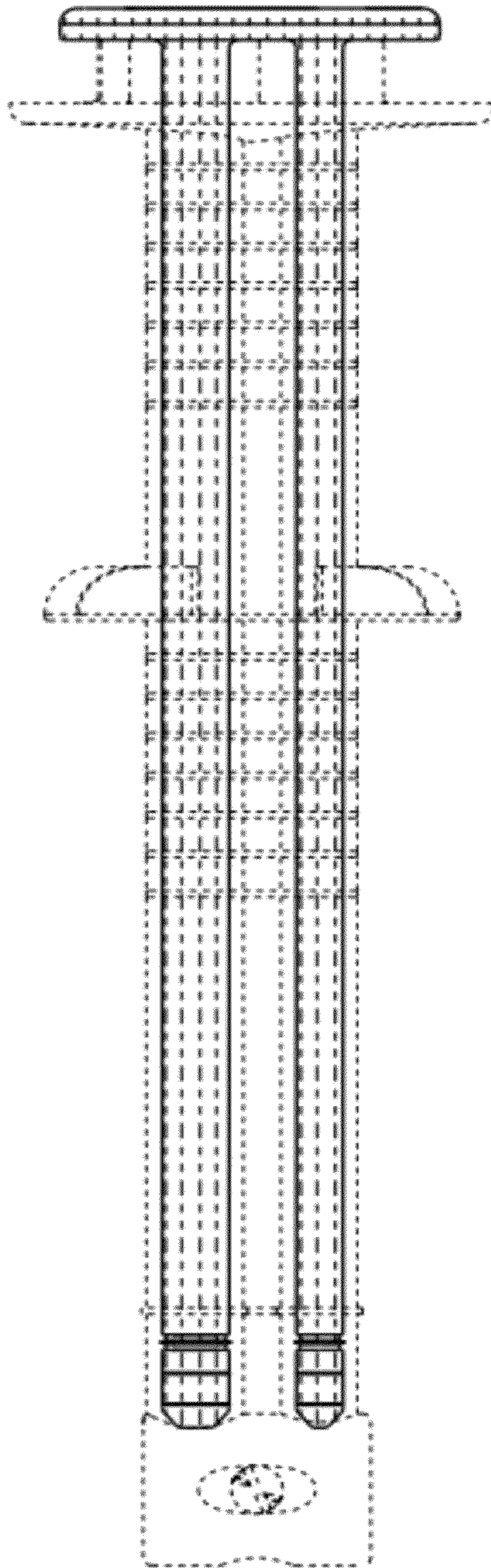


FIG. 7