

US00D679809S

(12) **United States Design Patent**
Clarke et al.

(10) **Patent No.:** **US D679,809 S**

(45) **Date of Patent:** **** Apr. 9, 2013**

(54) **HEADGEAR CLIP FOR A NASAL MASK ASSEMBLY**

(75) Inventors: **Jaime Clarke**, New Castle, PA (US);
Duon Truong, Monroeville, PA (US);
Amanda Neely, Monroeville, PA (US)

(73) Assignee: **Koninklijke Philips Electronics N.V.**,
Eindhoven (NL)

(**) Term: **14 Years**

(21) Appl. No.: **29/406,724**

(22) Filed: **Nov. 18, 2011**

(30) **Foreign Application Priority Data**

May 26, 2011 (EM) 001869173-0004

(51) **LOC (9) Cl.** **24-02**

(52) **U.S. Cl.** **D24/127; D24/110.1**

(58) **Field of Classification Search** D24/127-131,
D24/110-110.5, 112-114, 133, 186, 147;
606/181, 185; 604/232, 187, 158, 164.08,
604/192, 263, 163, 181, 184, 198, 227; 600/101,
600/139, 143; 128/200.24, 207.14, 207.15;
D8/18, 33, 40, 396; D3/207, 208; 81/3.07,
81/3.4

See application file for complete search history.

(56) **References Cited**

U.S. PATENT DOCUMENTS

D255,773	S	*	7/1980	Raske	D8/18
D265,506	S	*	7/1982	Finamore	D24/147
D417,141	S	*	11/1999	Senninger	D8/396
D422,860	S	*	4/2000	Vinar	D8/40
D437,753	S	*	2/2001	Hastings et al.	D8/18
D505,847	S	*	6/2005	Kelleghan	D8/40
D511,679	S	*	11/2005	Malin	D8/396
D551,850	S	*	10/2007	Hagman	D3/208
D600,084	S	*	9/2009	Hbaiu	D8/40
D637,463	S	*	5/2011	Silvers et al.	D8/18
D648,211	S	*	11/2011	Weaver et al.	D8/396
D660,690	S	*	5/2012	Mixides	D8/396
D663,176	S	*	7/2012	Dixon, III	D8/18

* cited by examiner

Primary Examiner — David Muller

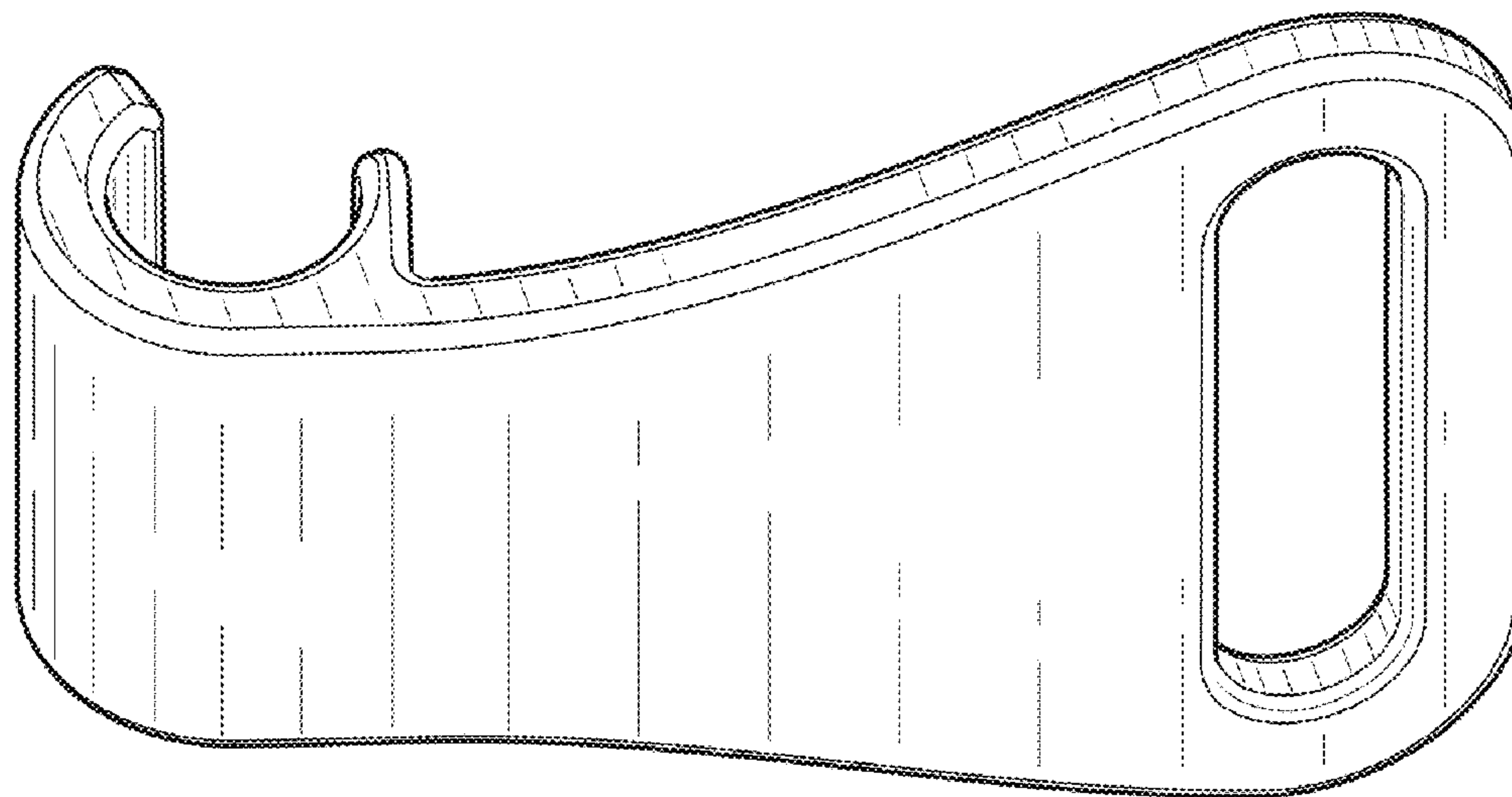
(57) **CLAIM**

The ornamental design for a headgear clip for a nasal mask assembly, as shown.

DESCRIPTION

FIG. 1 is a perspective view showing my design;
FIG. 2 is a front elevational view thereof;
FIG. 3 is a rear elevational view thereof;
FIG. 4 is a right side elevational view thereof;
FIG. 5 is a left side elevational view thereof;
FIG. 6 is a top plan view thereof; and,
FIG. 7 is a bottom plan view thereof.

1 Claim, 3 Drawing Sheets



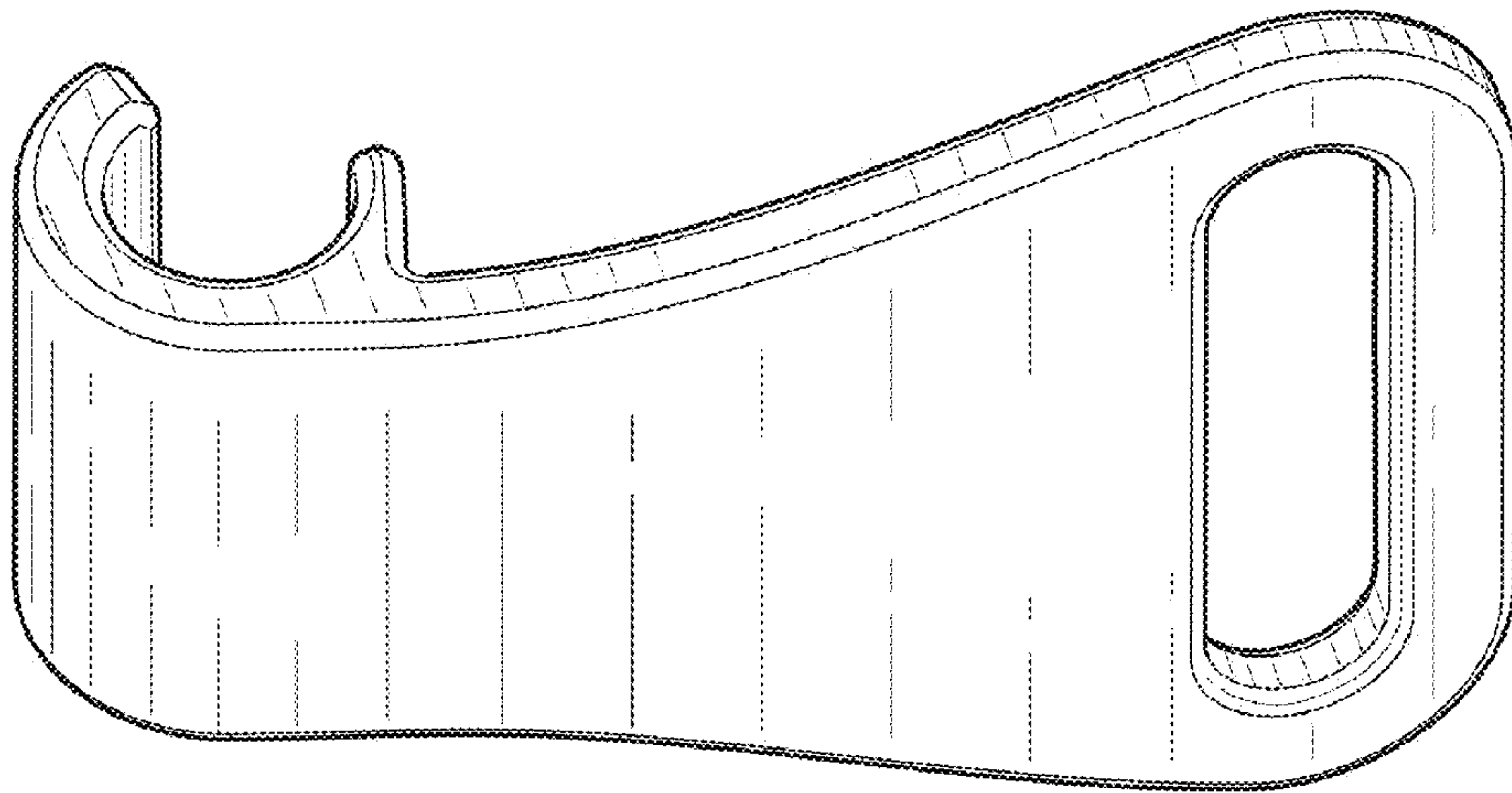


FIG. 1

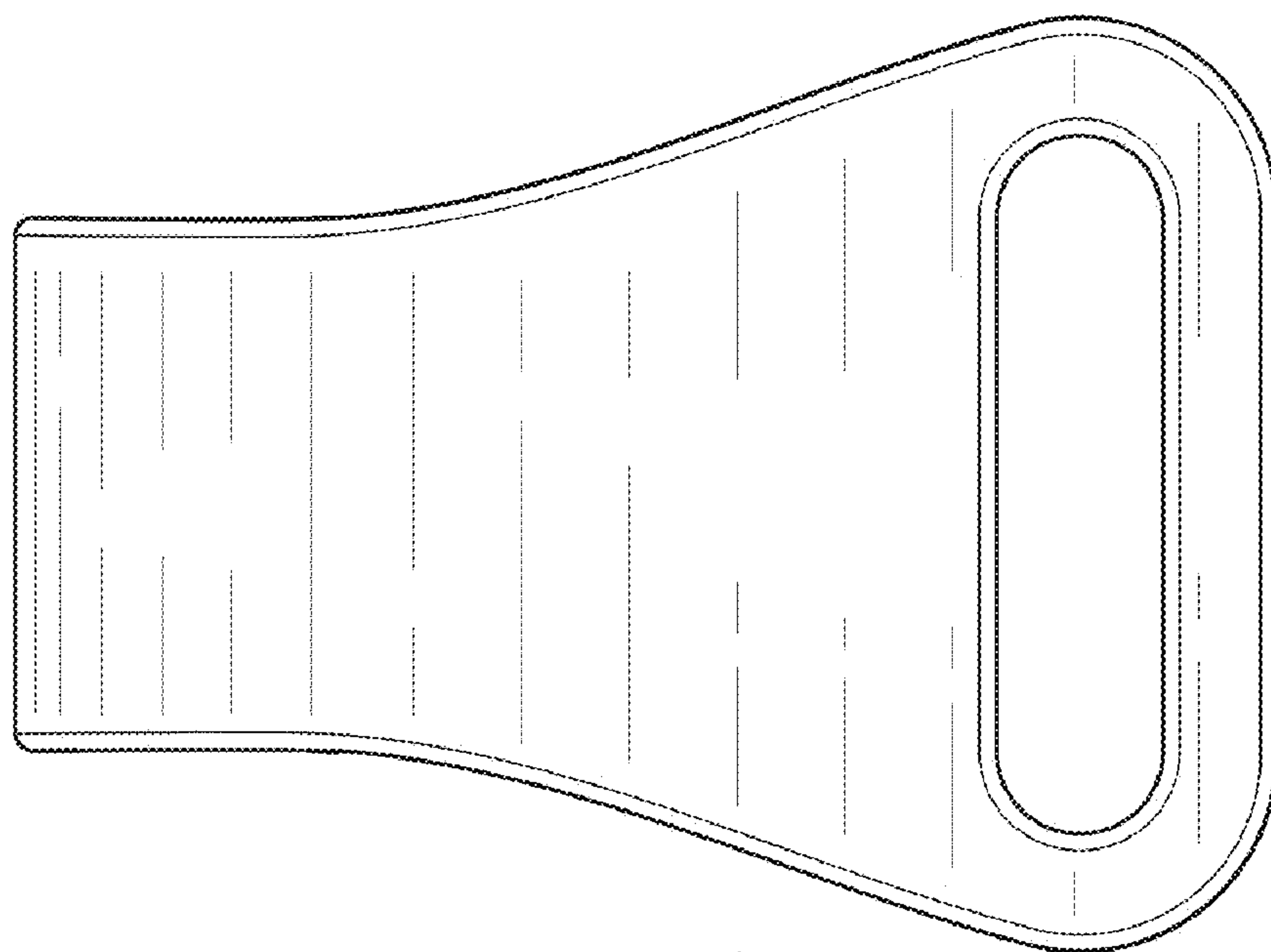


FIG. 2

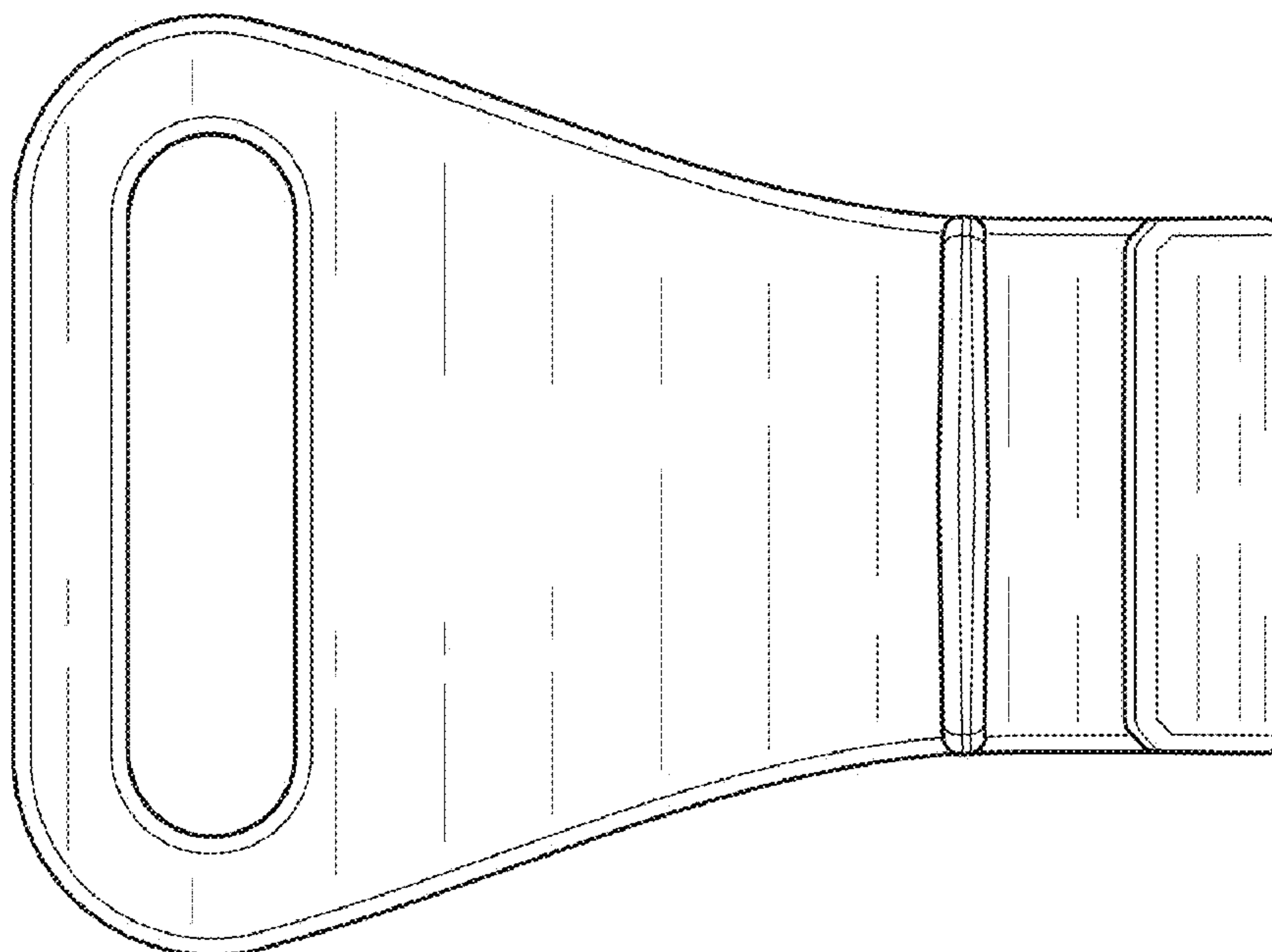


FIG. 3

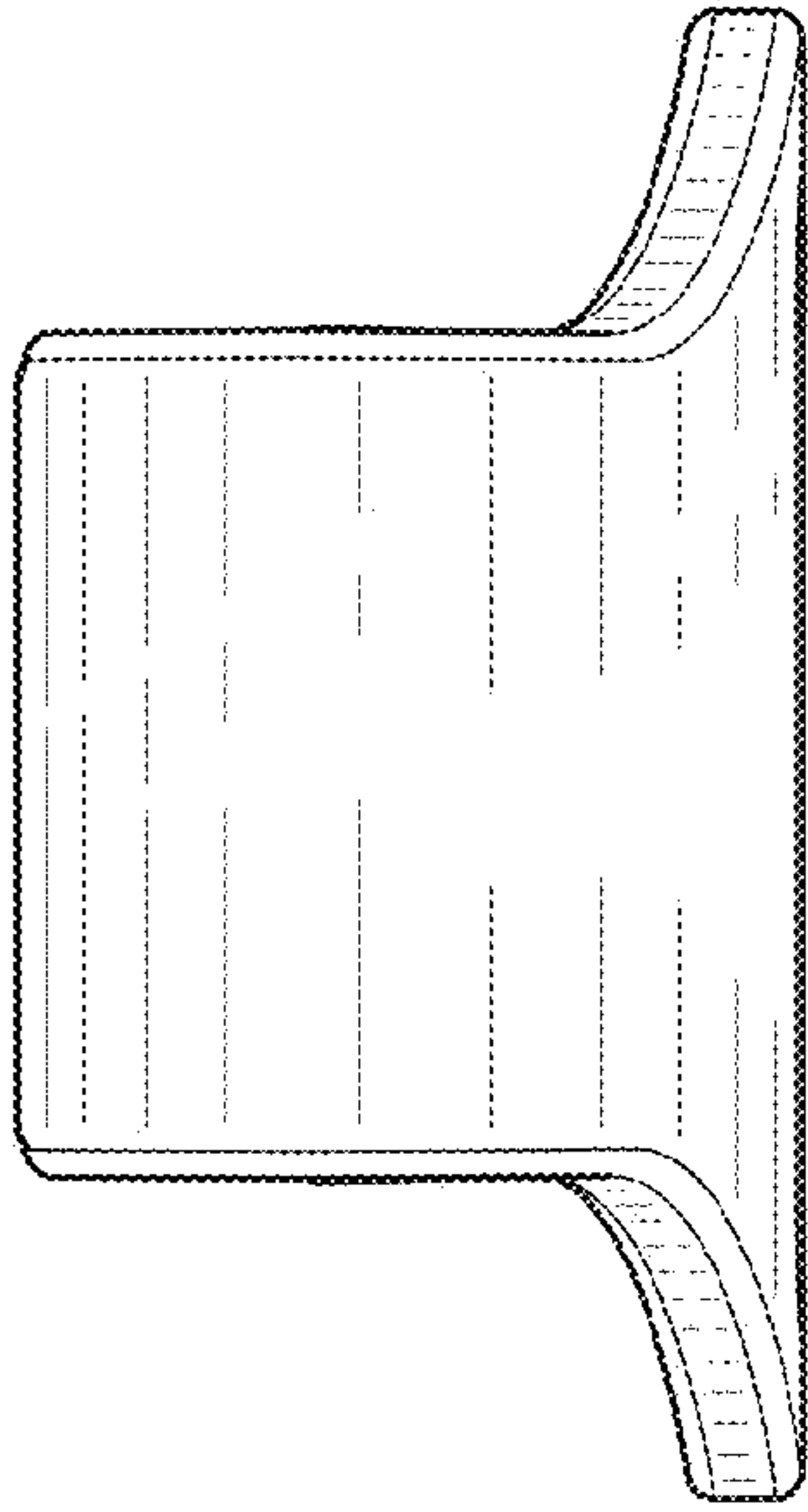


FIG. 4

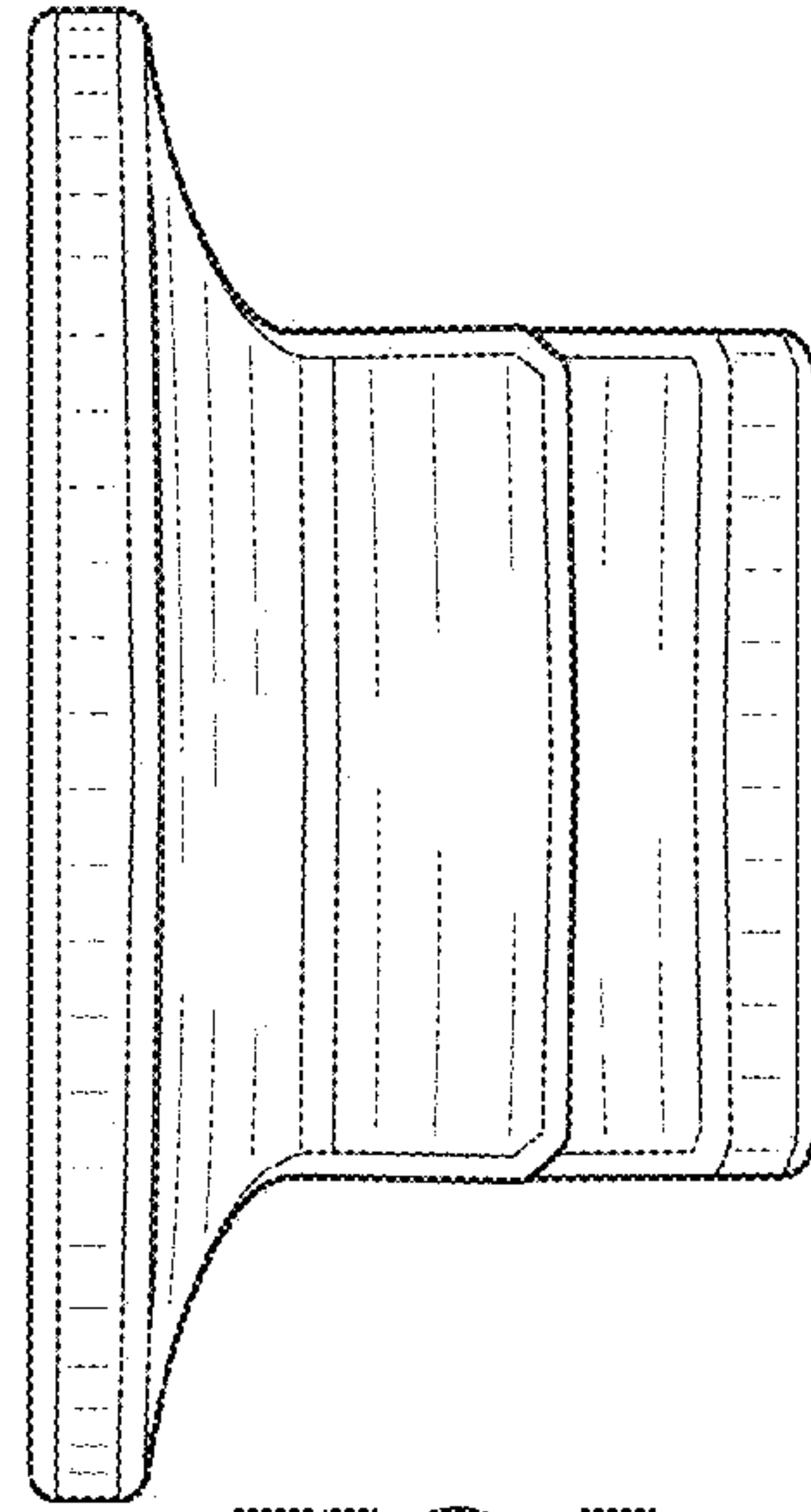


FIG. 5

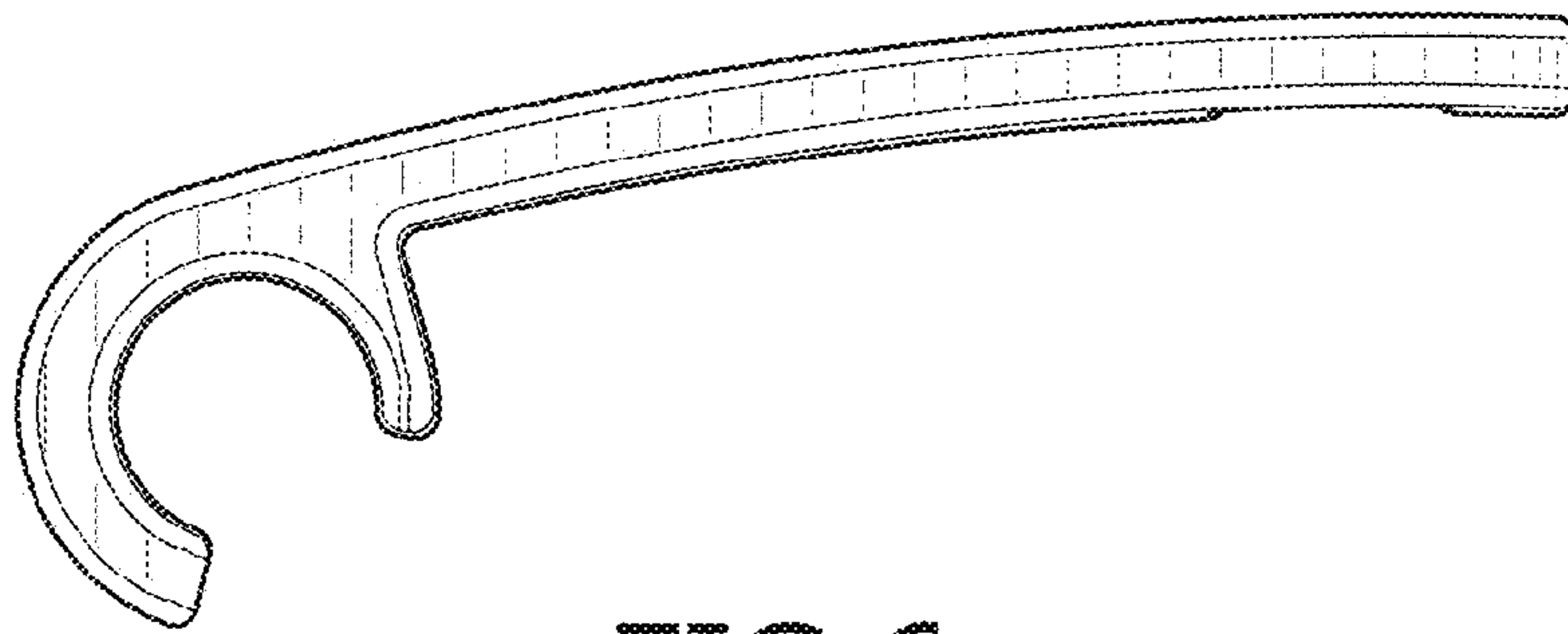


FIG. 6

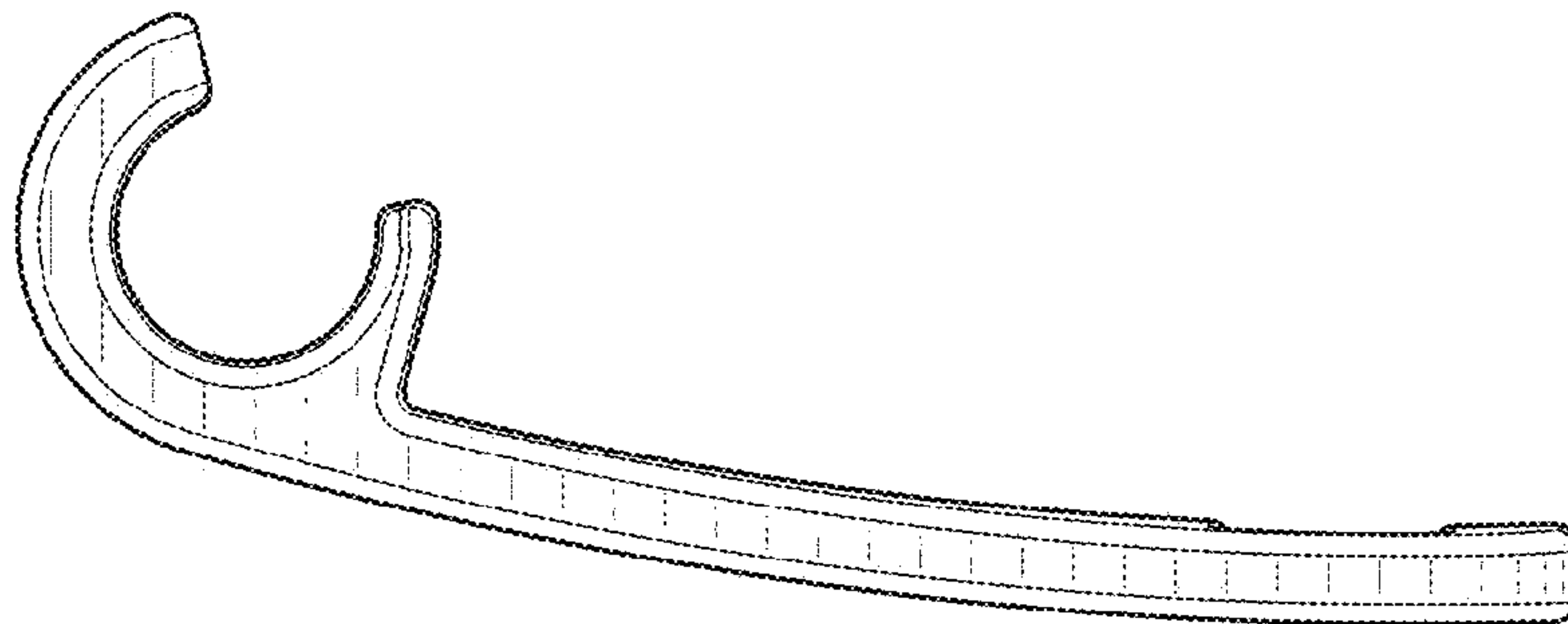


FIG. 7