



US00D679807S

(12) **United States Design Patent**
Burgess et al.

(10) **Patent No.:** **US D679,807 S**
(45) **Date of Patent:** **** Apr. 9, 2013**

(54) **FLUID COLLECTION CONTAINER LID**
(75) Inventors: **James E. Burgess**, Mundelein, IL (US);
John Kutsch, Harvard, IL (US)
(73) Assignee: **Medline Industries, Inc.**, Mundelein, IL
(US)

5,871,476 A * 2/1999 Hand 604/317
5,944,703 A 8/1999 Dixon et al.
5,960,837 A * 10/1999 Cude 604/319
6,139,738 A 10/2000 Maxwell
D435,906 S 1/2001 Wilkinson et al.
6,358,232 B1 3/2002 Hand et al.
6,575,946 B2 * 6/2003 Sealfon 604/323
D522,145 S 5/2006 Best et al.

(**) Term: **14 Years**
(21) Appl. No.: **29/393,814**
(22) Filed: **Jun. 9, 2011**

(Continued)

Related U.S. Application Data

(63) Continuation-in-part of application No. 29/360,669,
filed on Apr. 29, 2010, now Pat. No. Des. 644,323.
(51) **LOC (9) Cl.** **24-04**
(52) **U.S. Cl.**
USPC **D24/121**
(58) **Field of Classification Search** D24/121,
D24/123, 224, 122; 210/435, 130, 136, 248,
210/339, 448, 452; 604/317-325
See application file for complete search history.

OTHER PUBLICATIONS

Various Manufacturers, "Canisters and Lids from Allied, Ortho",
Unknown manufacturing date, but prior to the filing of the present
application.

(Continued)

Primary Examiner — David Muller
(74) *Attorney, Agent, or Firm* — David Noskowicz; Philip H.
Burrus, IV

(57) **CLAIM**
The ornamental design for a fluid collection container lid, as
shown and described.

(56) **References Cited**

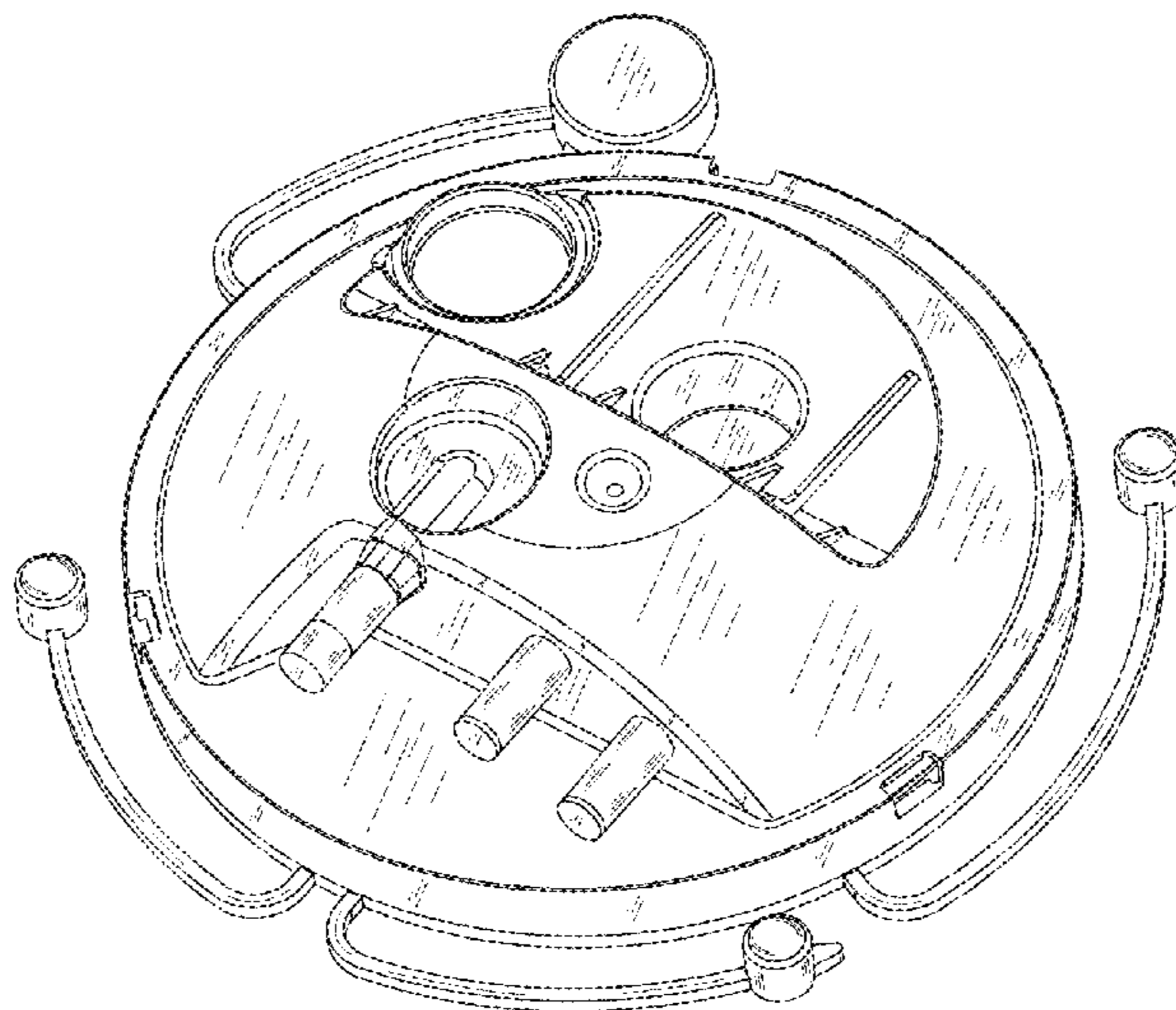
DESCRIPTION

U.S. PATENT DOCUMENTS

3,701,456 A 10/1972 Alroy et al.
4,460,361 A 7/1984 Nichols
4,487,606 A 12/1984 Leviton et al.
4,642,089 A 2/1987 Zupkas et al.
4,664,652 A * 5/1987 Weilbacher 604/324
4,736,859 A * 4/1988 Mayes et al. D24/122
4,796,757 A 1/1989 Strunkmann-Meister
4,880,411 A 11/1989 Fangrow et al.
4,909,780 A 3/1990 Ouriel et al.
5,158,533 A 10/1992 Strauss et al.
5,254,080 A * 10/1993 Lindsay 604/319
D370,263 S 5/1996 Falkenberg et al.
5,637,104 A * 6/1997 Ball et al. 604/319
5,792,126 A * 8/1998 Tribastone et al. 604/319

FIG. 1 is top perspective view of a fluid collection container
lid, illustrating our new design;
FIG. 2 is a bottom perspective view thereof;
FIG. 3 is a top, plan view thereof;
FIG. 4 is a bottom, plan view thereof;
FIG. 5 is a left side elevation view thereof;
FIG. 6 is a right side elevation view thereof;
FIG. 7 is a rear elevation view thereof; and,
FIG. 8 is a front elevation view thereof.
The broken line showing of parts of the drawings is included
for the purpose of illustrating use and environment and forms
no part of the claimed design.

1 Claim, 4 Drawing Sheets



U.S. PATENT DOCUMENTS

D574,488 S 8/2008 Chauvin
7,481,243 B2 1/2009 Michaels et al.
7,497,340 B2 3/2009 Hershberger et al.
7,806,879 B2 * 10/2010 Brooks et al. 604/319
7,955,318 B1 * 6/2011 Schultz et al. 604/319
D644,317 S * 8/2011 Tsao D24/121
8,118,795 B2 * 2/2012 Romano et al. 604/318
8,172,832 B1 * 5/2012 Gonzalez 604/317
2009/0045209 A1 2/2009 Taylor

OTHER PUBLICATIONS

Muller, David "Non-Final Office Action", U.S. Appl. No. 29/360,679, filed Apr. 29, 2010, James E. Burgess, first inventor, Mailed Jun. 9, 210.

Muller, David G., "Restriction Requirement", U.S. Appl. No. 29/360,669, filed Apr. 29, 2010, Mailed Nov. 1, 2010.

Muller, David G., "Final Office Action", U.S. Appl. No. 29/360,679, filed Apr. 29, 2010, Mailed Nov. 10, 2010, minor issues with drawings (to be corrected).

Muller, David G., "Non-Final Office Action", U.S. Appl. No. 29/360,669, filed Apr. 29, 2010, Mailed Nov. 9, 2010, minor changes to drawings required.

Muller, David G., "Ex Parte Quayle Action", U.S. Appl. No. 29/360,669, filed Apr. 29, 2010, Mailed Feb. 1, 2011.

Muller, David G., "Ex Parte Quayle Action", U.S. Appl. No. 29/360,679, filed Apr. 29, 2010, Mailed Feb. 1, 2011.

Edwards, Brett J., "NonFinal Office Action", U.S. Appl. No. 12/769,900; filed Apr. 29, 2010; Mailed Sep. 18, 2012.

* cited by examiner

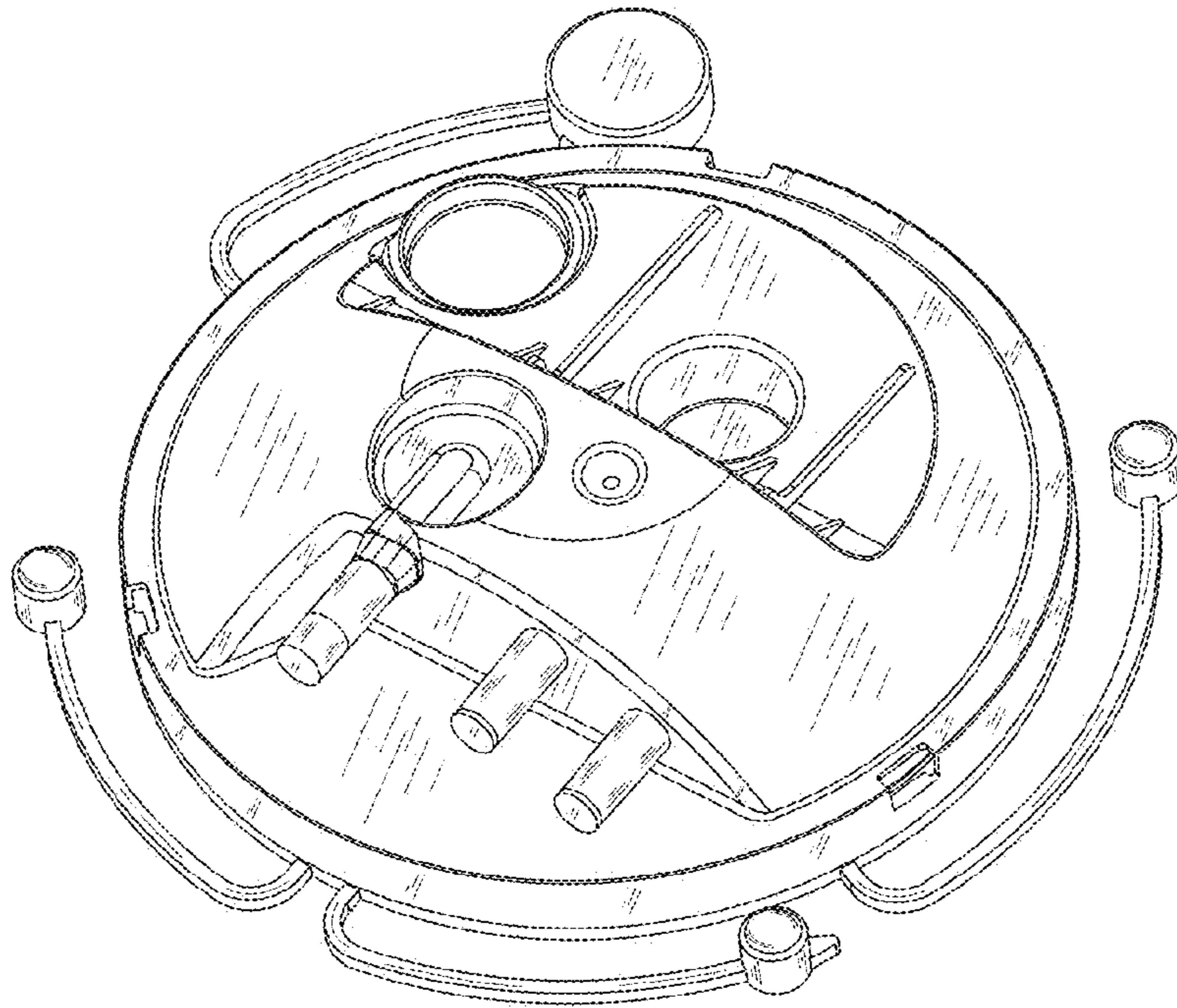


FIG. 1

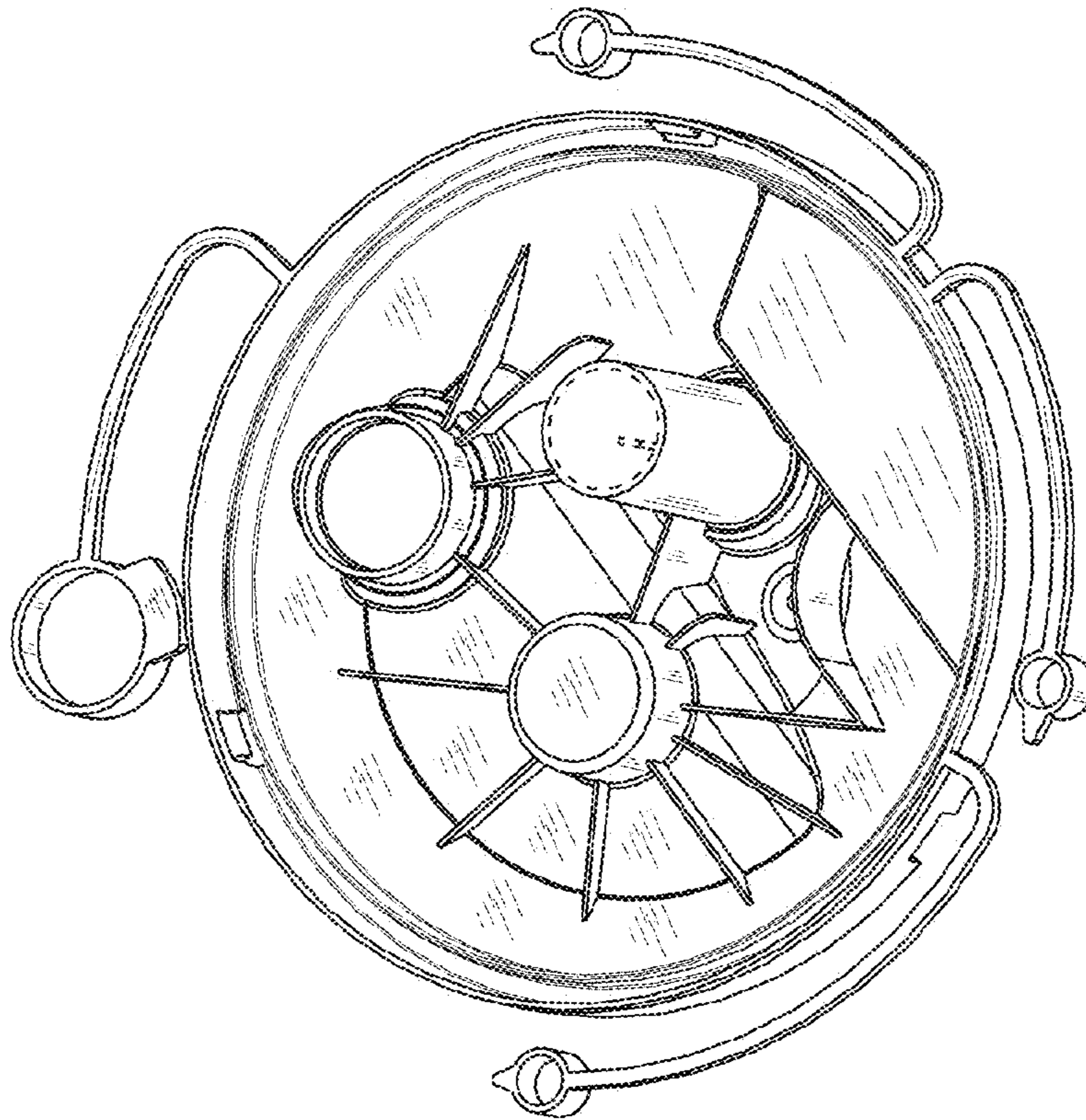


FIG. 2

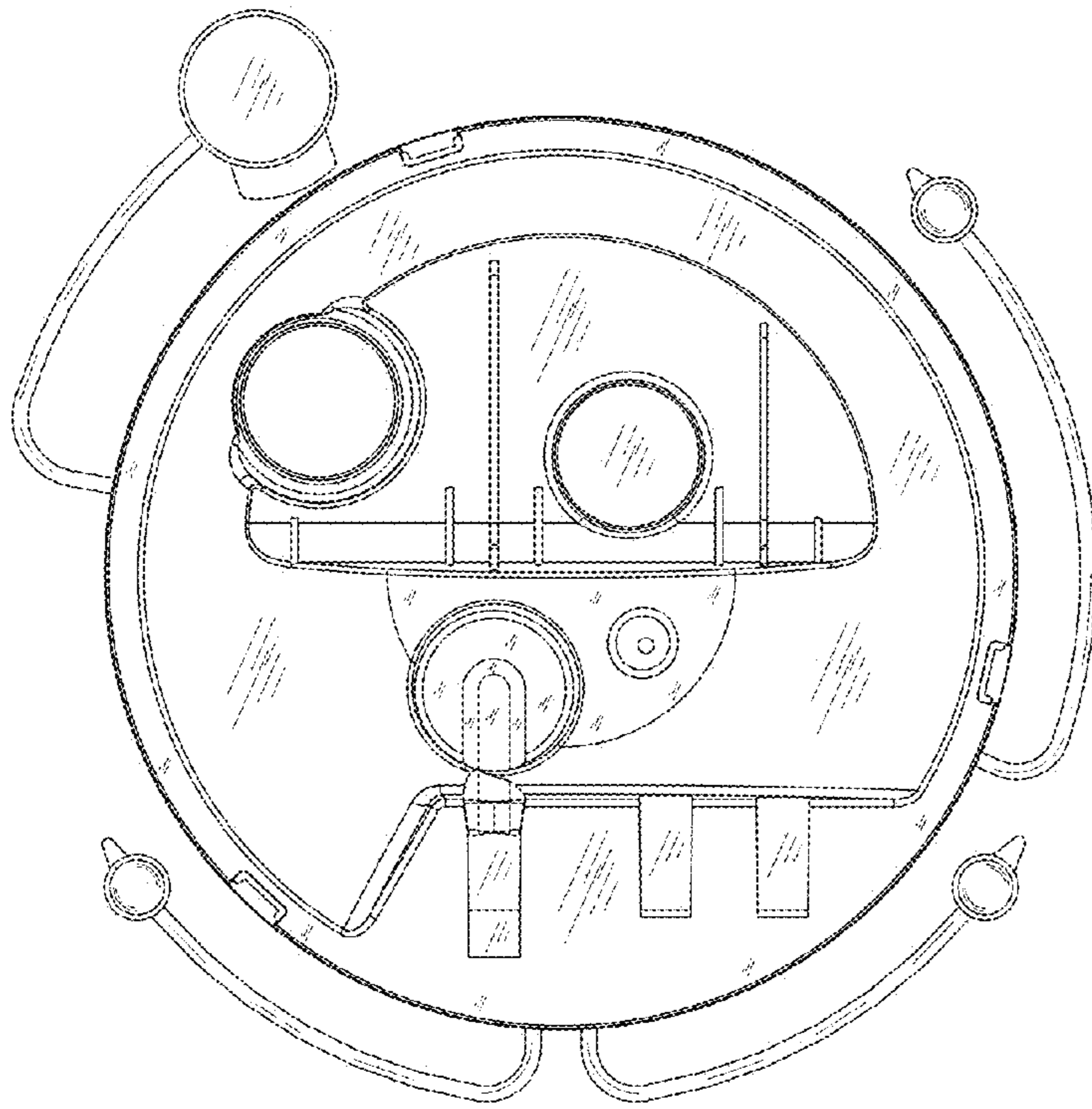


FIG. 3

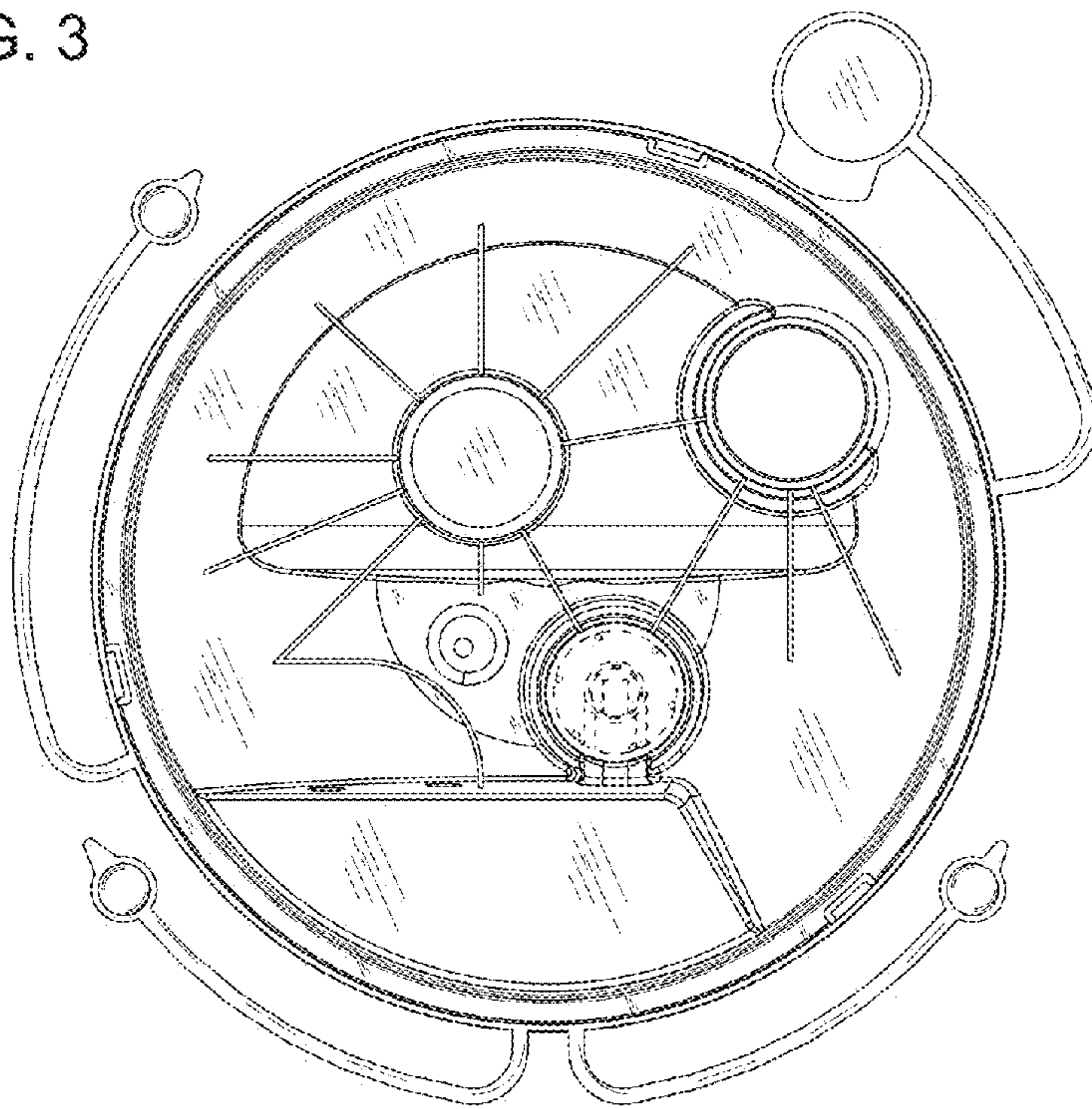


FIG. 4

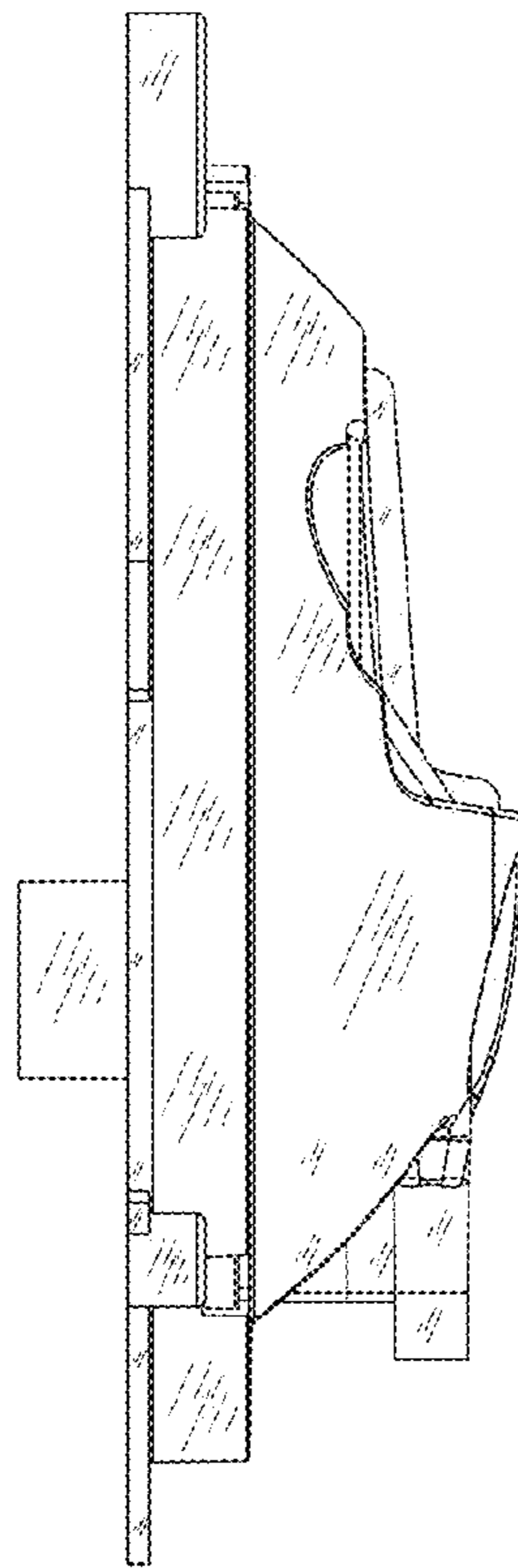


FIG. 5

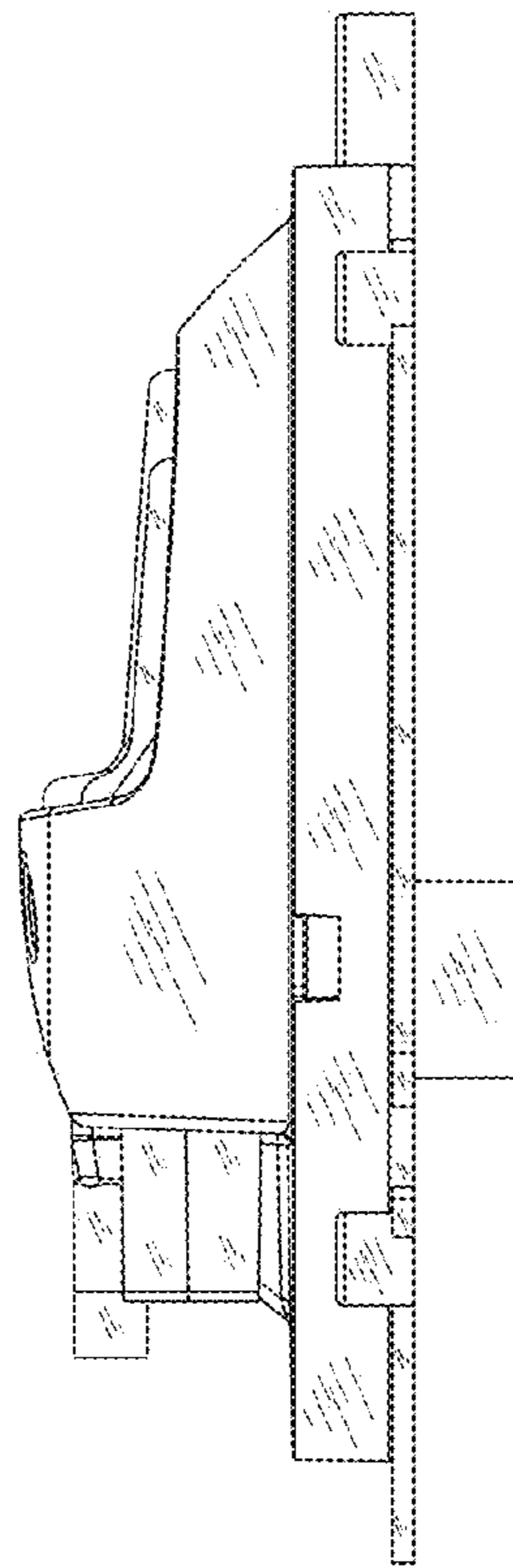


FIG. 6

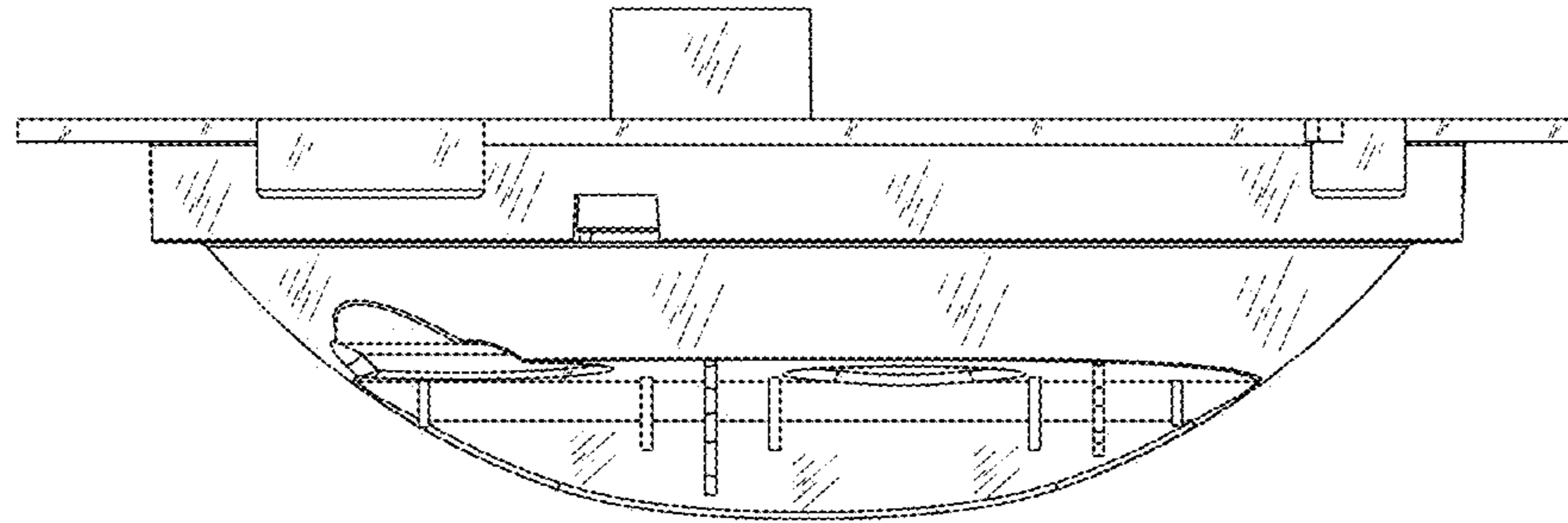


FIG. 7

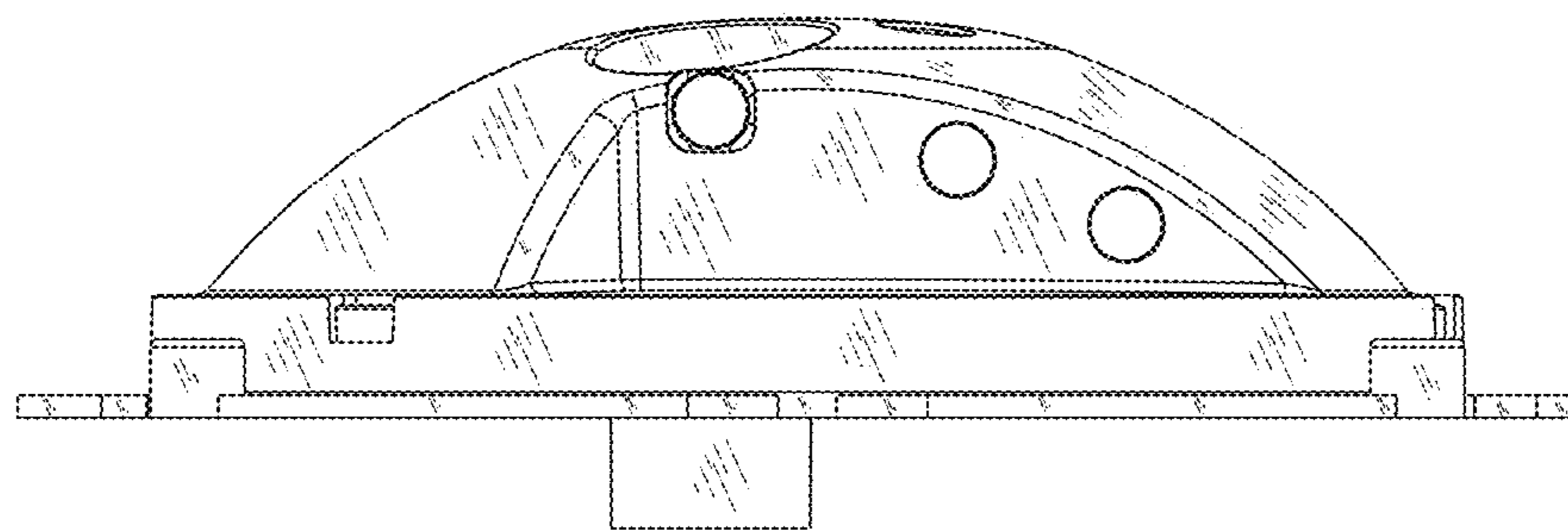


FIG. 8