



US00D679806S

(12) **United States Design Patent**
Davitt

(10) **Patent No.:** **US D679,806 S**
(45) **Date of Patent:** **** Apr. 9, 2013**

(54) **LIQUID APPLICATOR**

(76) Inventor: **Jacqueline Davitt**, Omaha, NE (US)

(**) Term: **14 Years**

(21) Appl. No.: **29/394,902**

(22) Filed: **Jun. 22, 2011**

4,961,661	A *	10/1990	Sutton et al.	D28/7
D333,351	S *	2/1993	Tsou	D24/206
5,240,339	A *	8/1993	DeForest et al.	401/207
D361,404	S *	8/1995	Haas	D28/7
5,823,206	A *	10/1998	Mapleback	132/317
D453,855	S *	2/2002	Petkus	D28/7
6,702,577	B2 *	3/2004	Wong	433/30
7,455,519	B1 *	11/2008	Barstow	433/31
7,690,807	B2 *	4/2010	Verderber	433/31
D618,795	S *	6/2010	Nguyen	D24/139
8,133,052	B1 *	3/2012	Emmons, III	433/30

Related U.S. Application Data

(63) Continuation-in-part of application No. 11/925,027, filed on Oct. 26, 2007, now abandoned.

(51) **LOC (9) Cl.** **24-02**

(52) **U.S. Cl.**
USPC **D24/119**; D28/7

(58) **Field of Classification Search** D24/127-131, D24/112-114, 133, 186, 147, 152, 139, 206; D28/7; 606/162, 180, 181, 185, 161; 604/1, 604/2, 19, 3, 309, 73, 540, 232, 187, 158, 604/164.08, 192, 263, 163, 18, 184, 198, 604/227; 600/572, 101, 139, 143; 128/200.24, 128/207.14, 207.15; 132/317; 401/196, 401/207; 15/209.1, 210.1; D32/40; 433/30, 433/31

See application file for complete search history.

(56) **References Cited**

U.S. PATENT DOCUMENTS

D306,214	S *	2/1990	Delphus	D28/7
4,927,283	A *	5/1990	Fitjer	401/196

* cited by examiner

Primary Examiner — David Muller

(74) *Attorney, Agent, or Firm* — Dale J. Ream

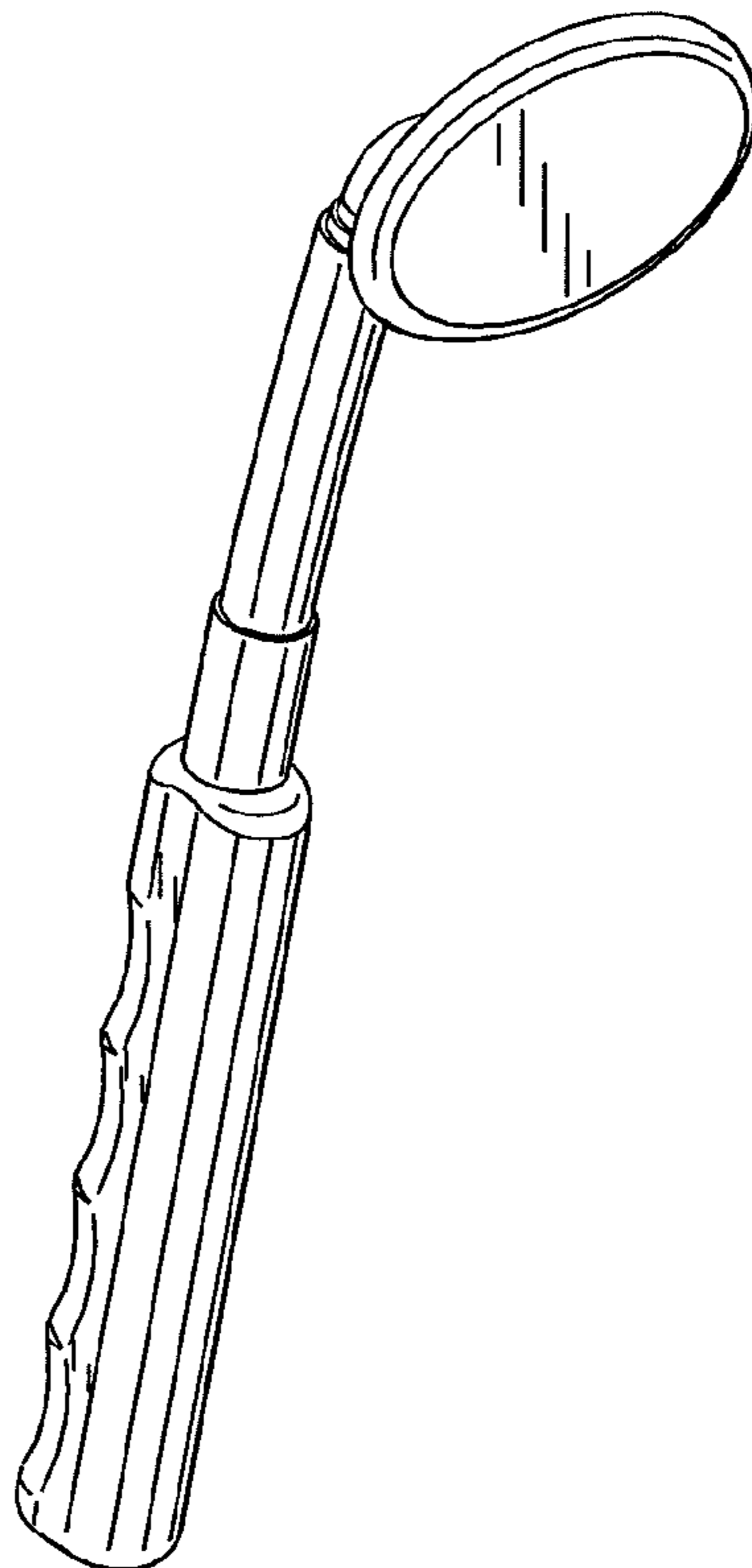
(57) **CLAIM**

The ornamental design for a liquid applicator, as shown and described.

DESCRIPTION

FIG. 1 is a perspective view of a liquid applicator showing my new design in a collapsed configuration;
FIG. 2 is a perspective view of a liquid applicator shown in an expanded configuration;
FIG. 3 is a front view of a liquid applicator shown in a collapsed configuration;
FIG. 4 is a back view thereof;
FIG. 5 is a left side view thereof;
FIG. 6 is a right side view thereof;
FIG. 7 is a bottom view thereof; and,
FIG. 8 is a top view thereof.

1 Claim, 4 Drawing Sheets



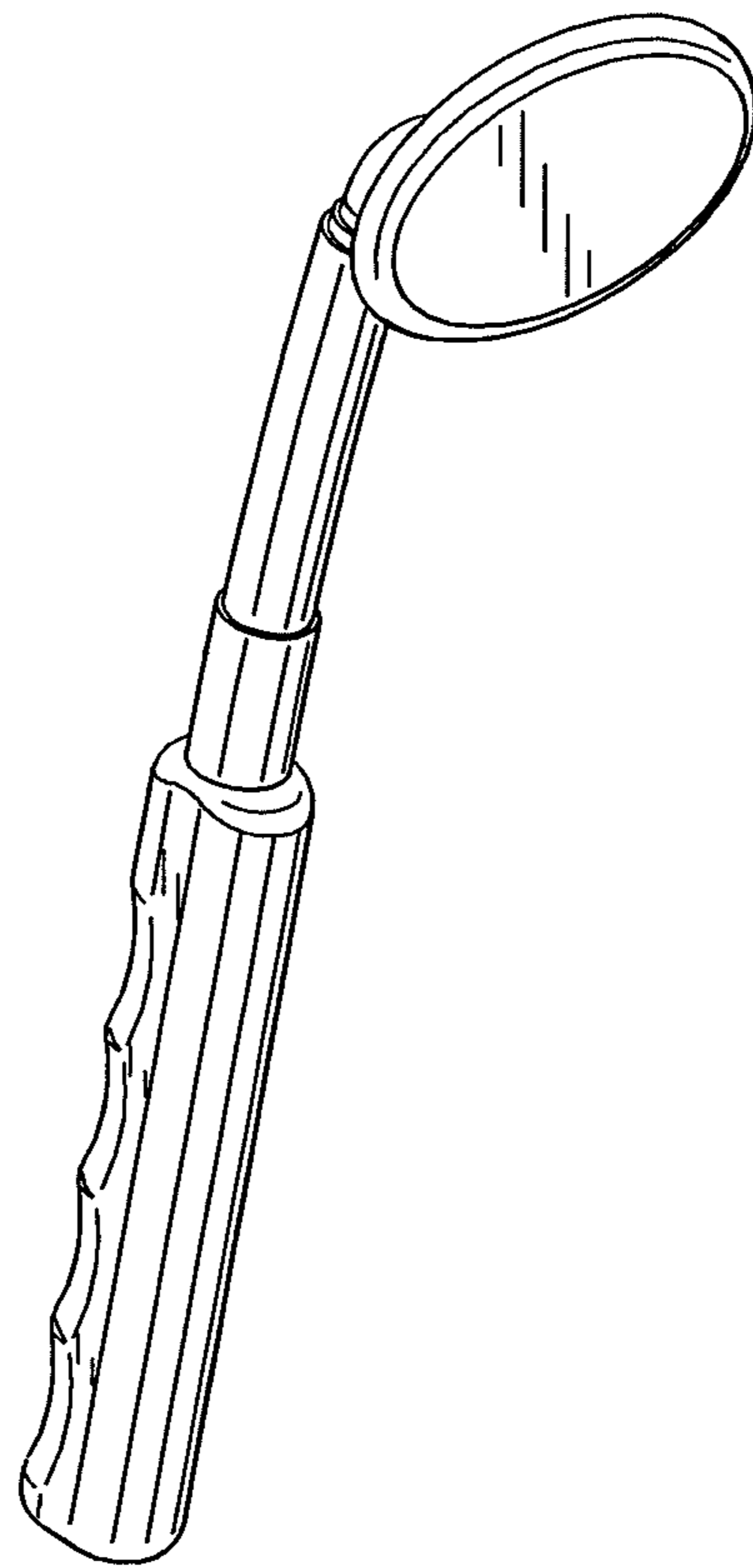


FIG. 1

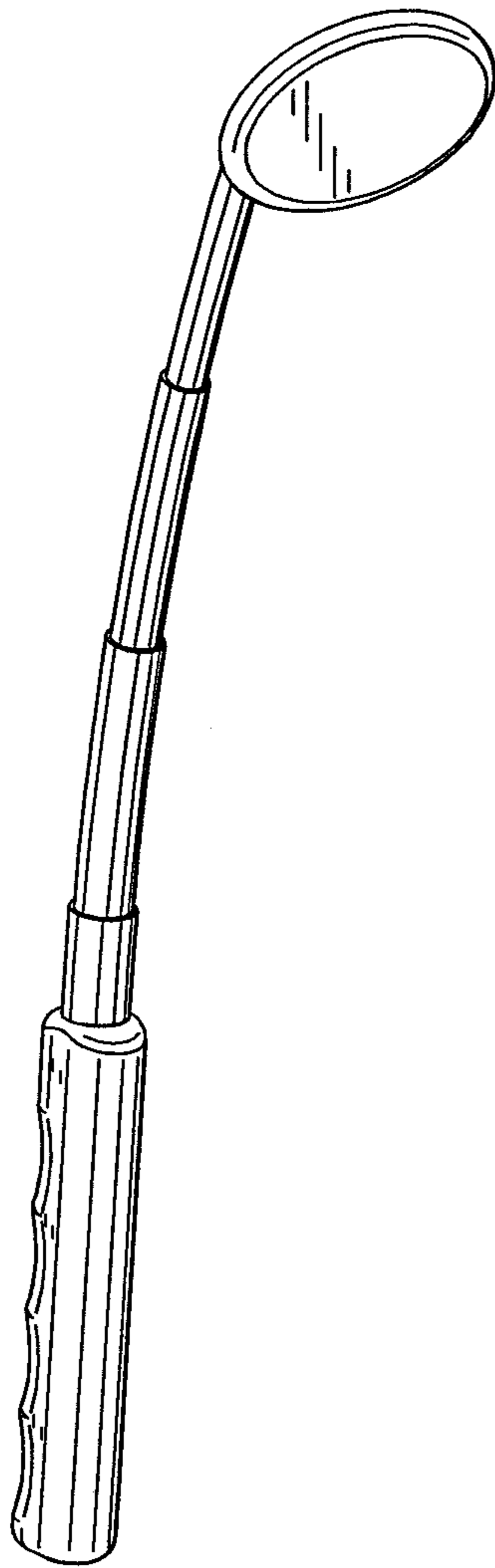


FIG. 2

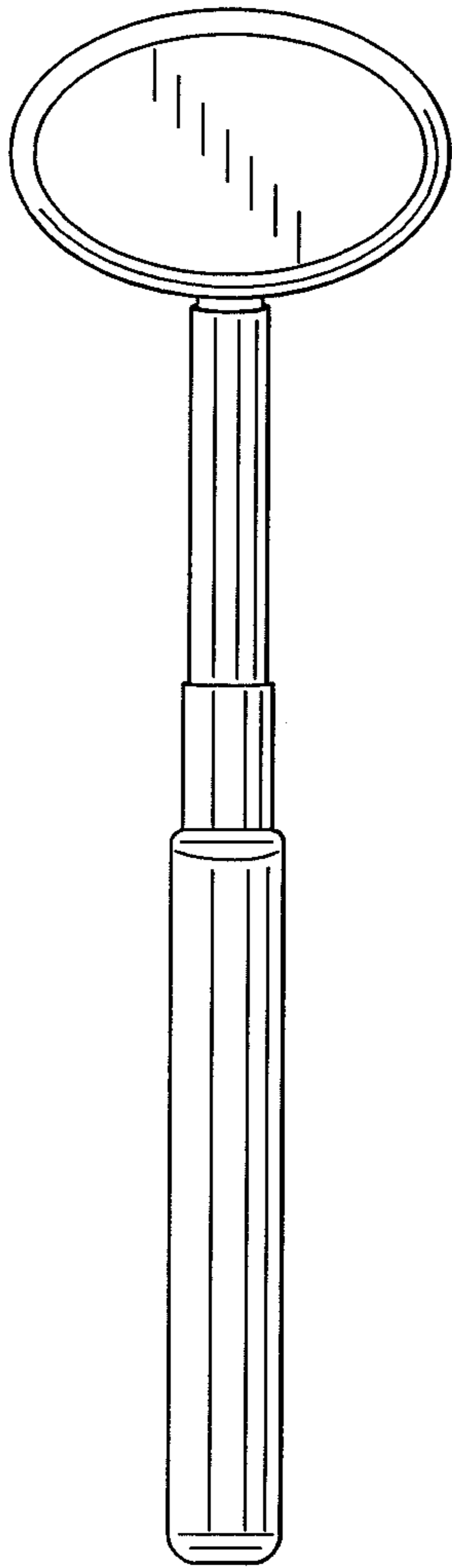


FIG. 3

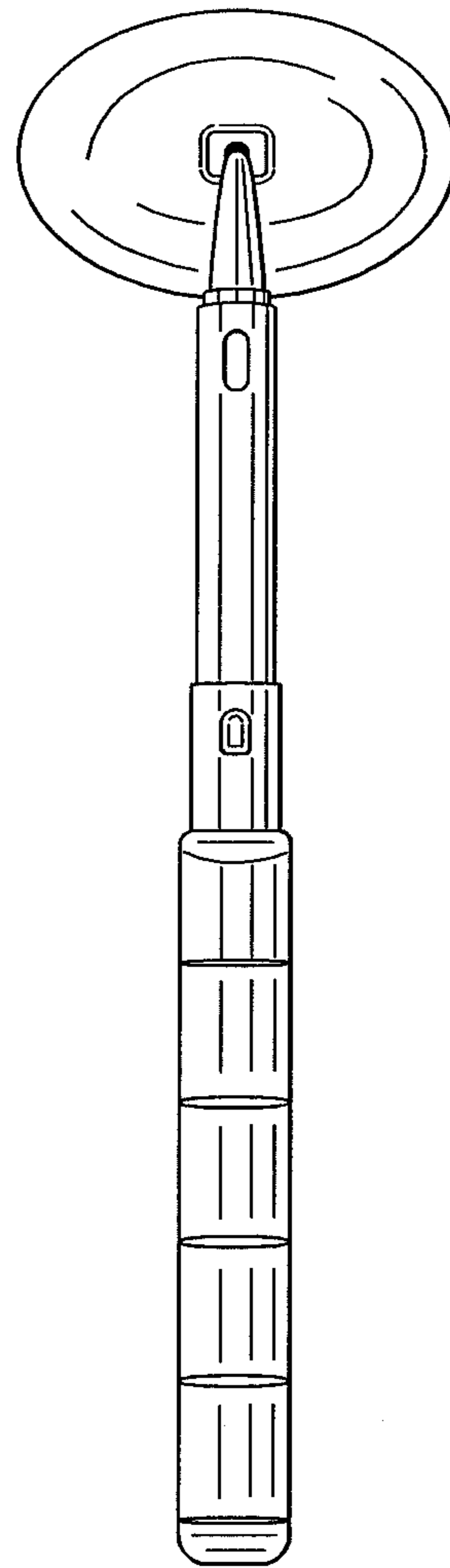


FIG. 4

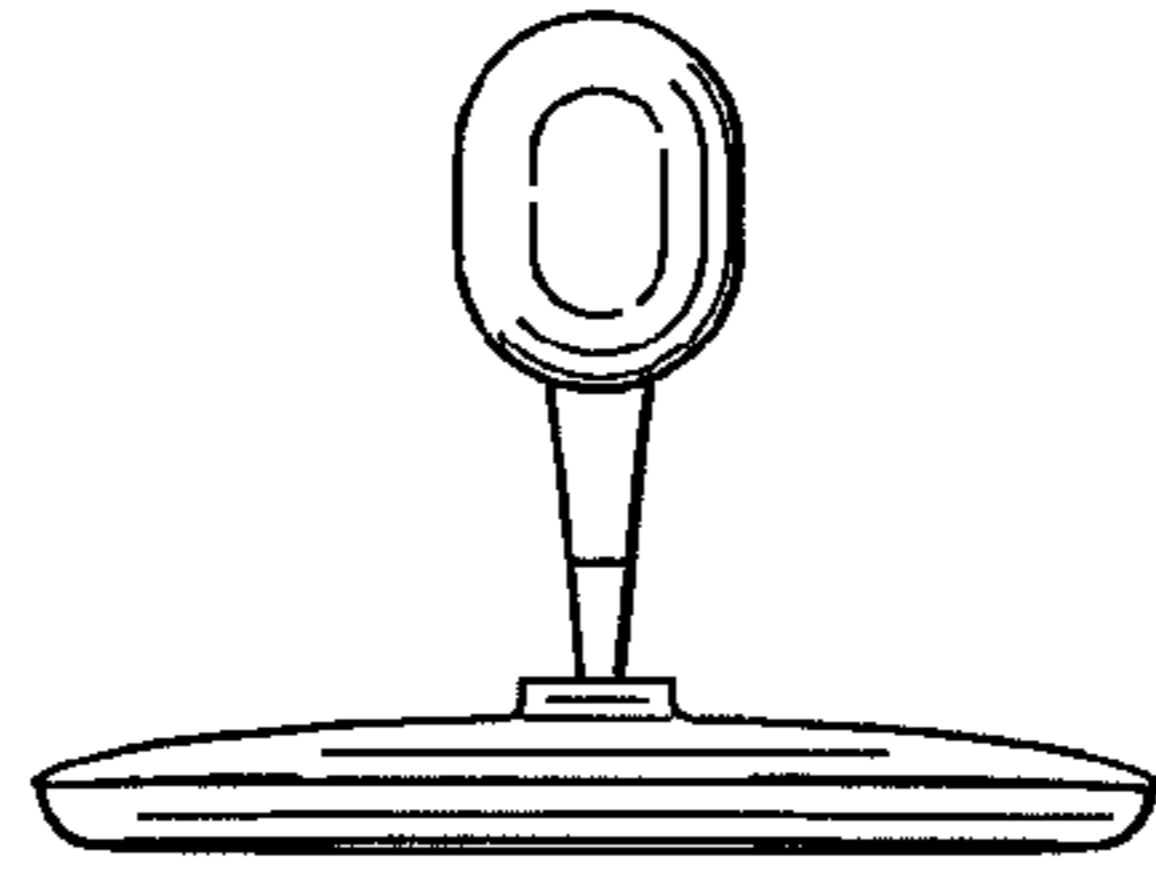


FIG. 7

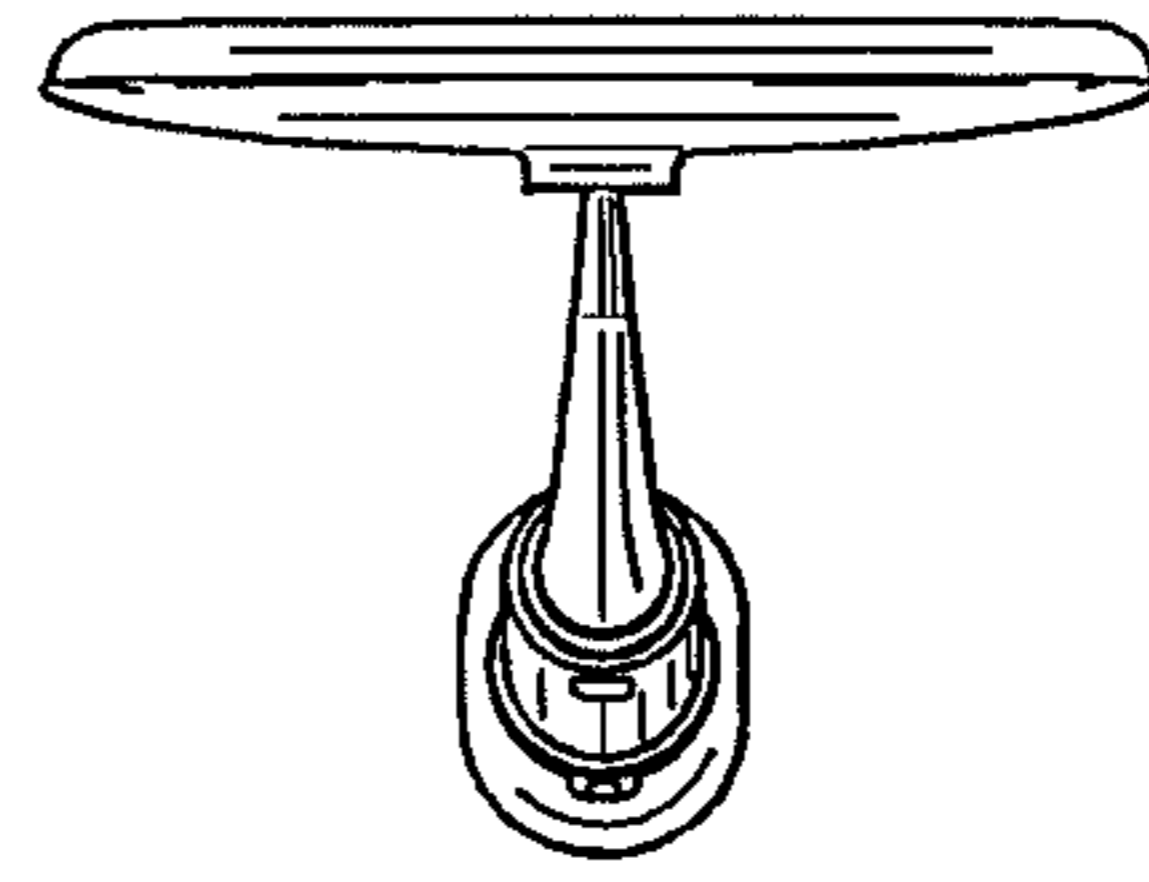


FIG. 8

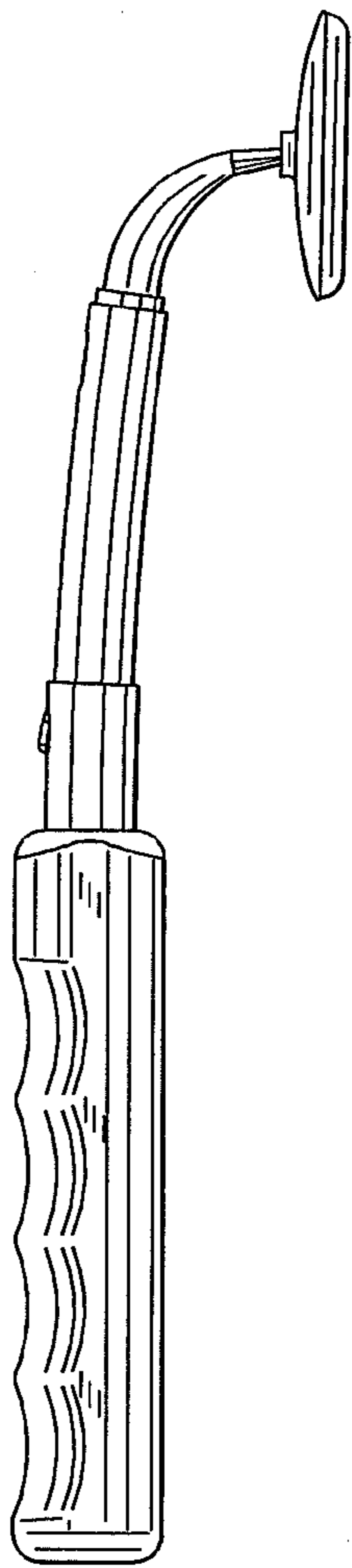


FIG. 5

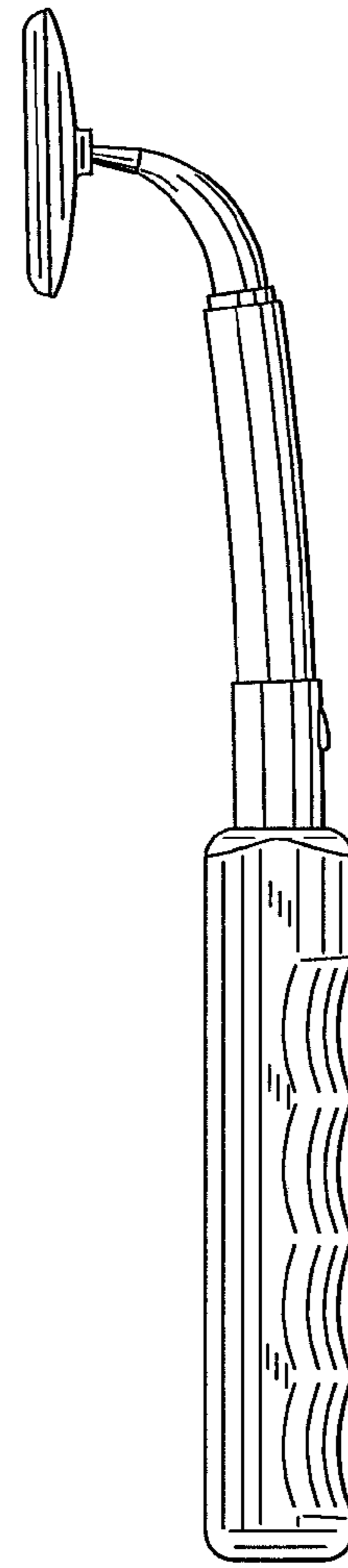


FIG. 6