

US00D679805S

(12) **United States Design Patent**
Keller

(10) **Patent No.:** **US D679,805 S**

(45) **Date of Patent:** **** Apr. 9, 2013**

(54) **NASAL APPLICATOR**

(75) Inventor: **Alexander Keller**, Saulgrub-Altenau
(DE)

(73) Assignee: **M et P Pharma AG**, Stans (CH)

(**) Term: **14 Years**

(21) Appl. No.: **29/385,861**

(22) Filed: **Feb. 22, 2011**

(51) **LOC (9) Cl.** **24-02**

(52) **U.S. Cl.**
USPC **D24/115**

(58) **Field of Classification Search** D24/117,
D24/115, 223, 226, 108; 222/209, 207, 215,
222/541.6, 541.4, 541.9; D9/695-699, 529;
206/528; 604/3, 298; 215/47, 48; 128/200.24
See application file for complete search history.

(56) **References Cited**

U.S. PATENT DOCUMENTS

D327,216	S	*	6/1992	Connell	D9/696
D442,078	S	*	5/2001	Fuquen	D9/696
D444,227	S		6/2001	Hennemann et al.		
D458,366	S	*	6/2002	Hellberg et al.	D24/115
D471,973	S		3/2003	Gillissen et al.		
D487,397	S	*	3/2004	Peghini	D9/696
6,783,035	B2	*	8/2004	Garcia et al.	222/209
D499,813	S	*	12/2004	Wu	D24/223
D534,648	S	*	1/2007	Zahn et al.	D24/115
D551,760	S	*	9/2007	Zahn et al.	D9/696
D584,607	S	*	1/2009	Ajootian	D9/709
D604,635	S	*	11/2009	Xu	D9/707
D618,335	S		6/2010	Nunez		
D627,057	S		11/2010	Gallo		
8,083,103	B2	*	12/2011	LaFlamme et al.	222/135
8,132,696	B2	*	3/2012	Mileti	222/207
D663,414	S	*	7/2012	Robin	D24/115

FOREIGN PATENT DOCUMENTS

EM	00033089-0001	10/2003
EM	00033089-0002	10/2003
EM	00033089-0003	10/2003
EM	00033089-0004	10/2003
EM	00033089-0005	10/2003
EM	00249321-0001	4/2005
EM	00249321-0002	4/2005
EM	00336938-0001	6/2005
EM	00394887-0001	10/2005
EM	00391891-0001	12/2005
EM	00516224-0001	6/2006
EM	00745963-0001	7/2007
EM	00745963-0002	7/2007
EM	00745963-0003	7/2007
EM	00745963-0004	7/2007

(Continued)

OTHER PUBLICATIONS

Picture of Nasal Applicator marketed by M et P. Phara AG, Lot E1014, Exp. 09, 2006.

Primary Examiner — David Muller

(74) *Attorney, Agent, or Firm* — Hasse & Nesbitt LLC; Donald E. Hasse

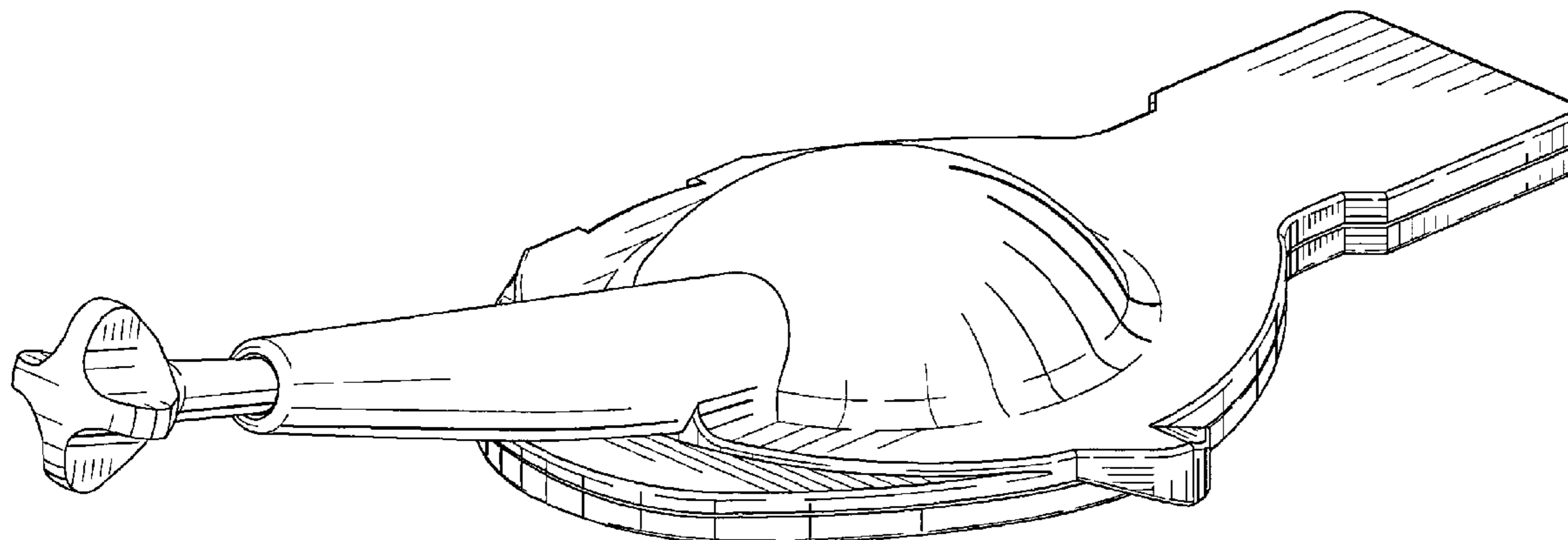
(57) **CLAIM**

I claim the ornamental design for a nasal applicator, as shown and described.

DESCRIPTION

FIG. 1 is a top perspective view of the nasal applicator; FIG. 2 is a front elevational view thereof; FIG. 3 is a back elevational view thereof; FIG. 4 is a top plan view thereof; FIG. 5 is a bottom plan view thereof; FIG. 6 is a right side elevational view thereof; and, FIG. 7 is a left side elevational view thereof.

1 Claim, 5 Drawing Sheets



US D679,805 S

Page 2

FOREIGN PATENT DOCUMENTS					
EM	00745963-0005	7/2007	EM	01609405-0001	9/2009
EM	00745963-0006	7/2007	EM	01609405-0002	9/2009
EM	00998539-0001	10/2008	EM	01194492-0001	3/2010
EM	01139067-0001	7/2009	EM	01224224-0001	7/2010
EM	01139067-0002	7/2009			

* cited by examiner

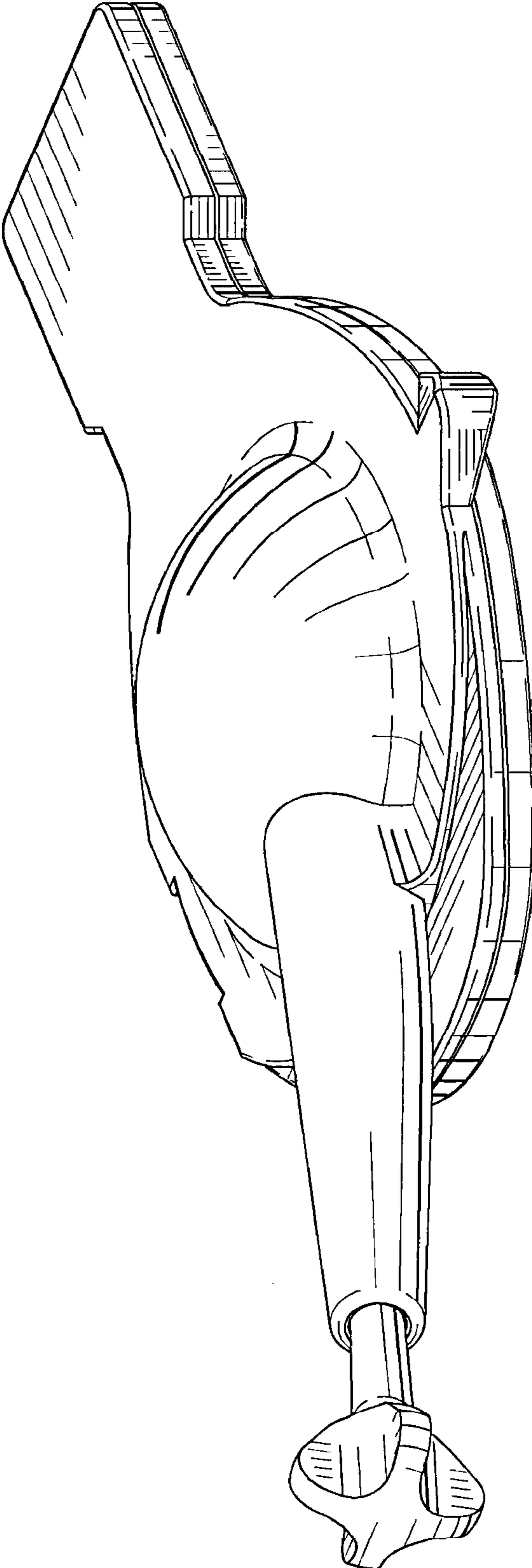


FIG. 1

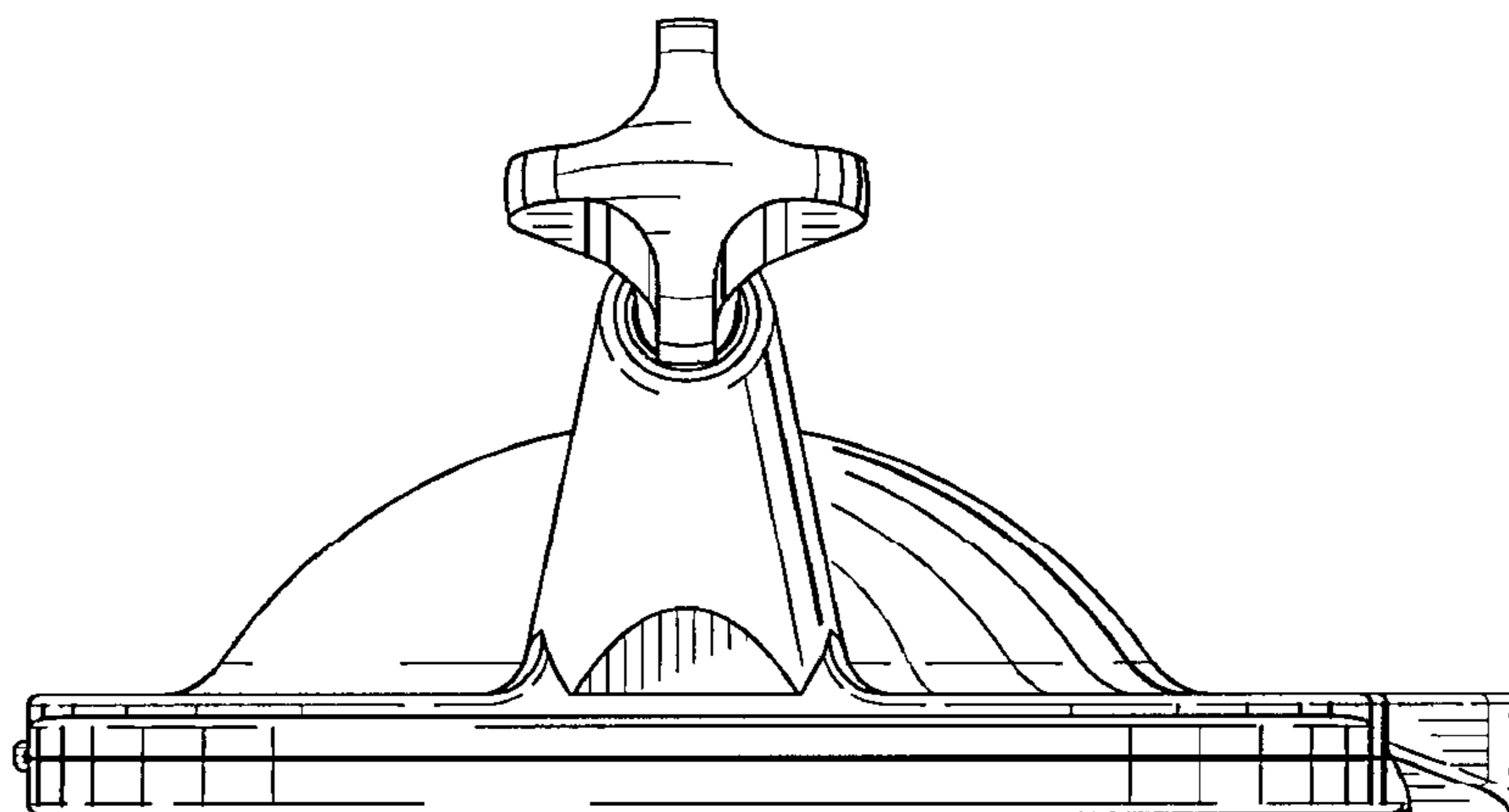


FIG. 2

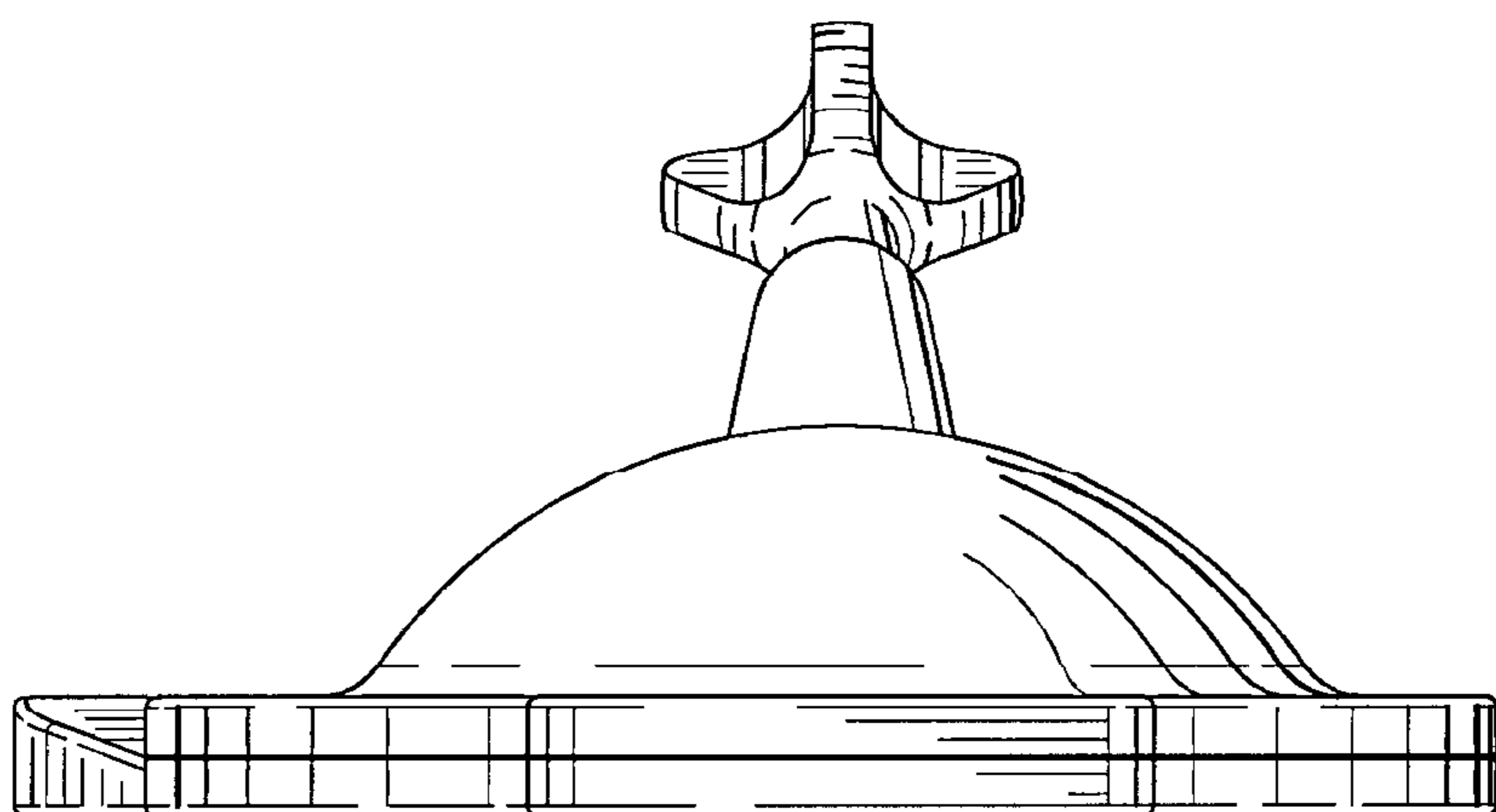


FIG. 3

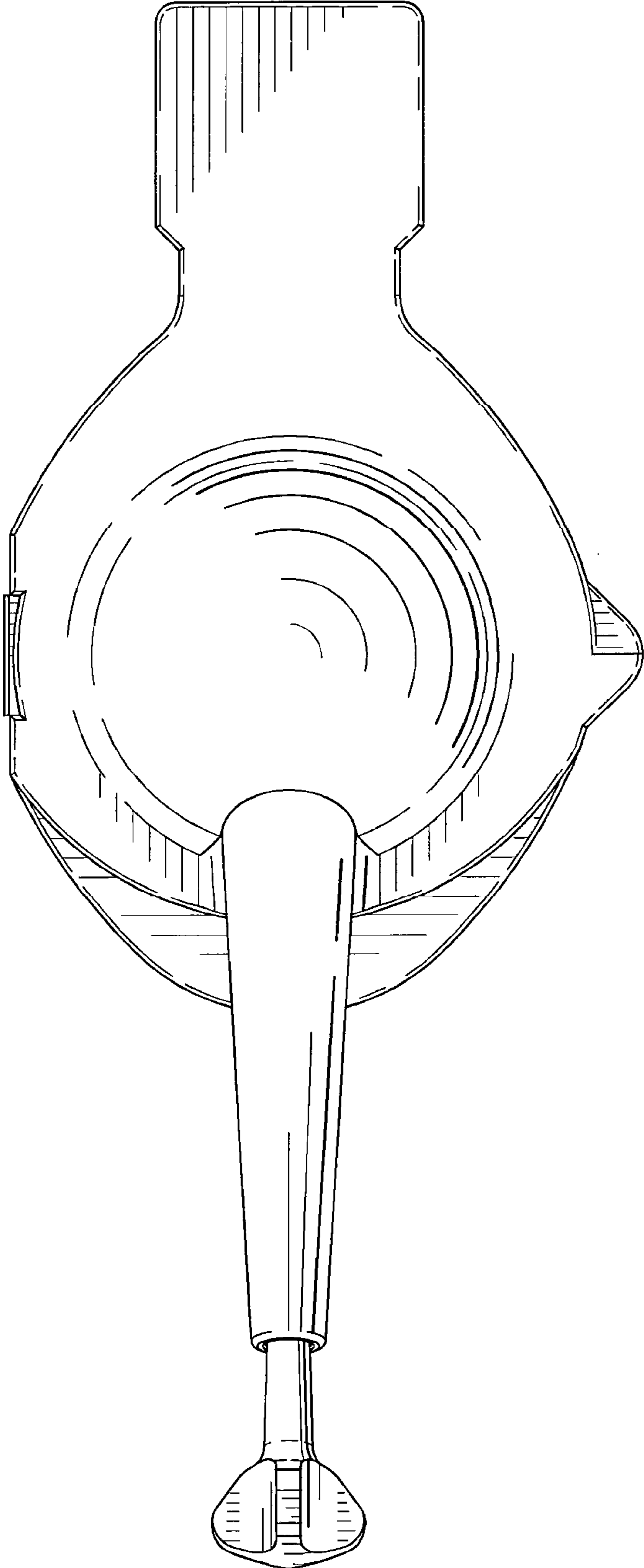


FIG. 4

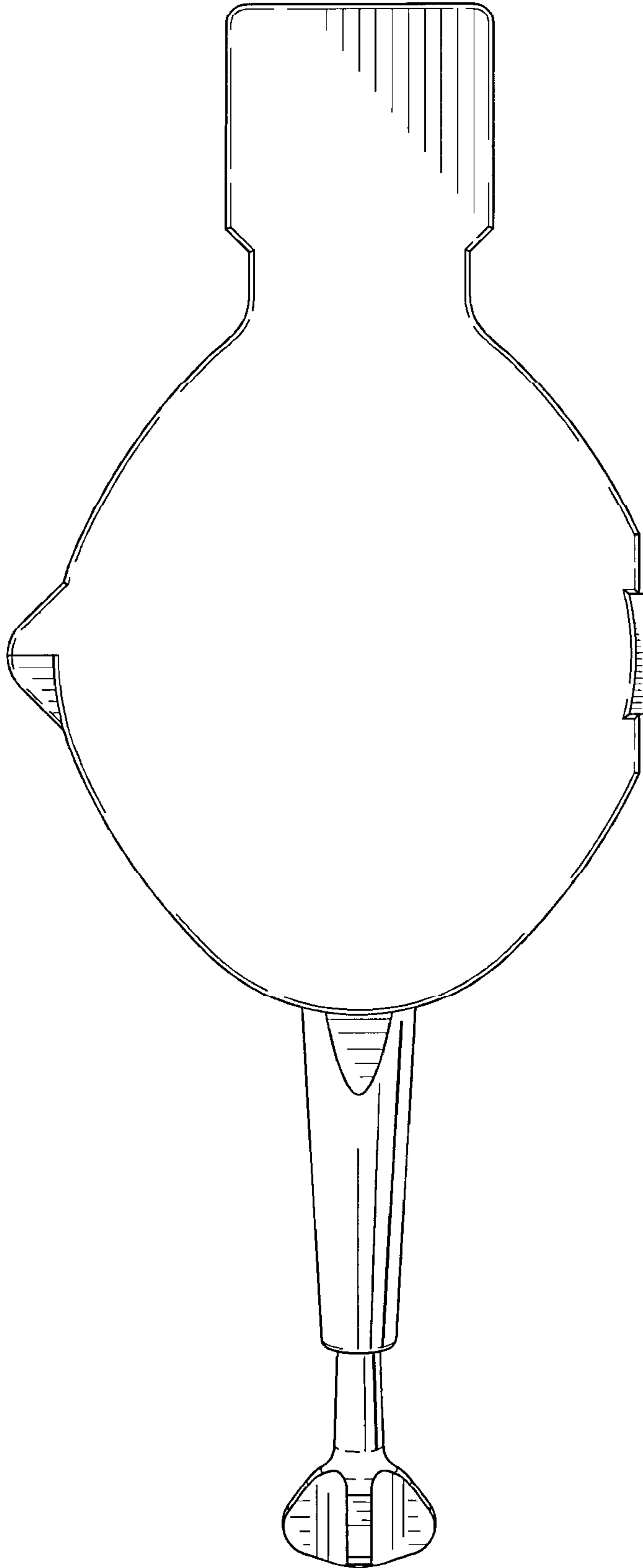


FIG. 5

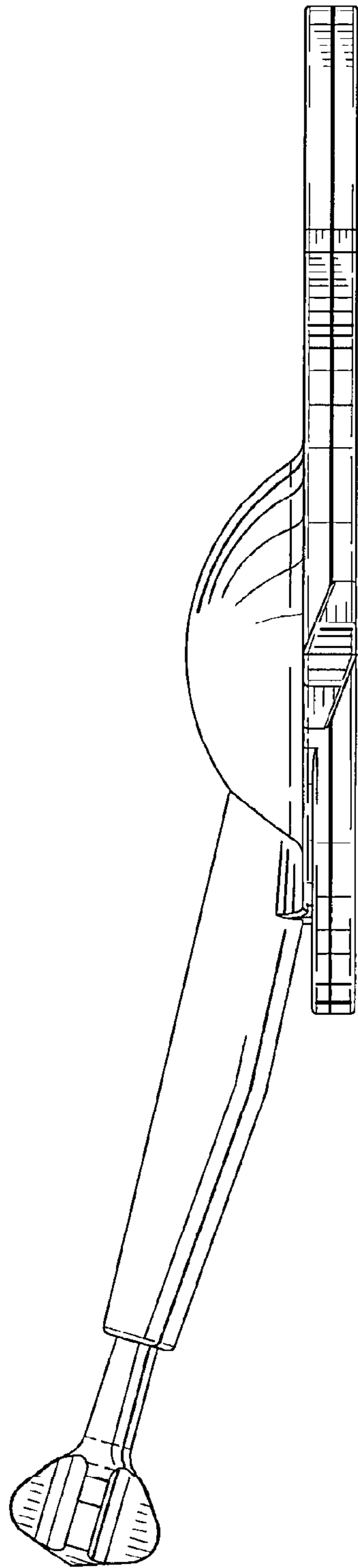


FIG. 6

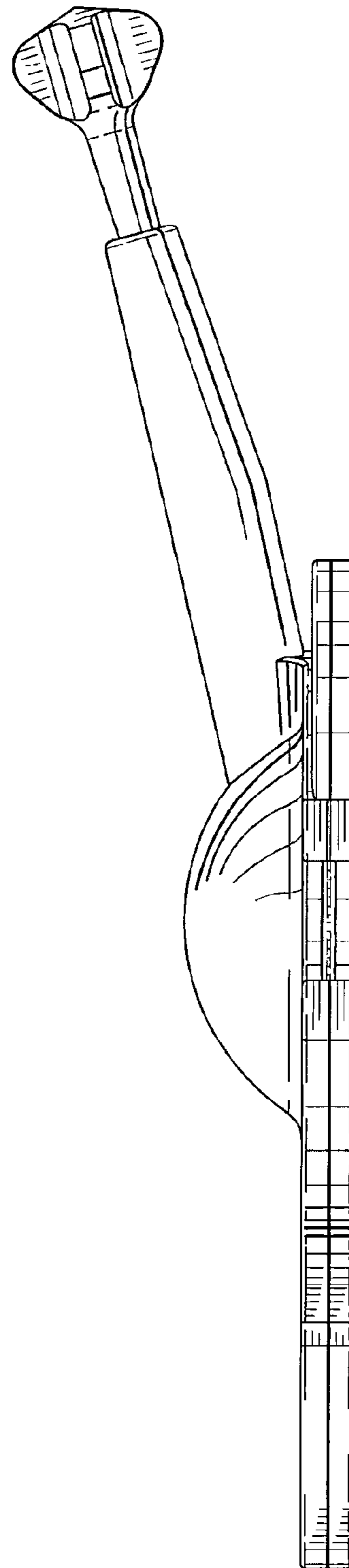


FIG. 7