



US00D679804S

(12) **United States Design Patent**
White et al.

(10) **Patent No.:** **US D679,804 S**
(45) **Date of Patent:** **** Apr. 9, 2013**

- (54) **CATHETER**
- (75) Inventors: **Patrick Michel White**, West Chester, PA (US); **Kern Singh**, Chicago, IL (US); **Frank M. Phillips**, Highland Park, IL (US); **Jean-Sebastien Merette**, Chester Springs, PA (US); **Thomas Wade Fallin**, Hyde Park, UT (US)
- (73) Assignee: **Vital 5, LLC**, North Logan, UT (US)
- (**) Term: **14 Years**
- (21) Appl. No.: **29/406,437**
- (22) Filed: **Nov. 14, 2011**

Related U.S. Application Data

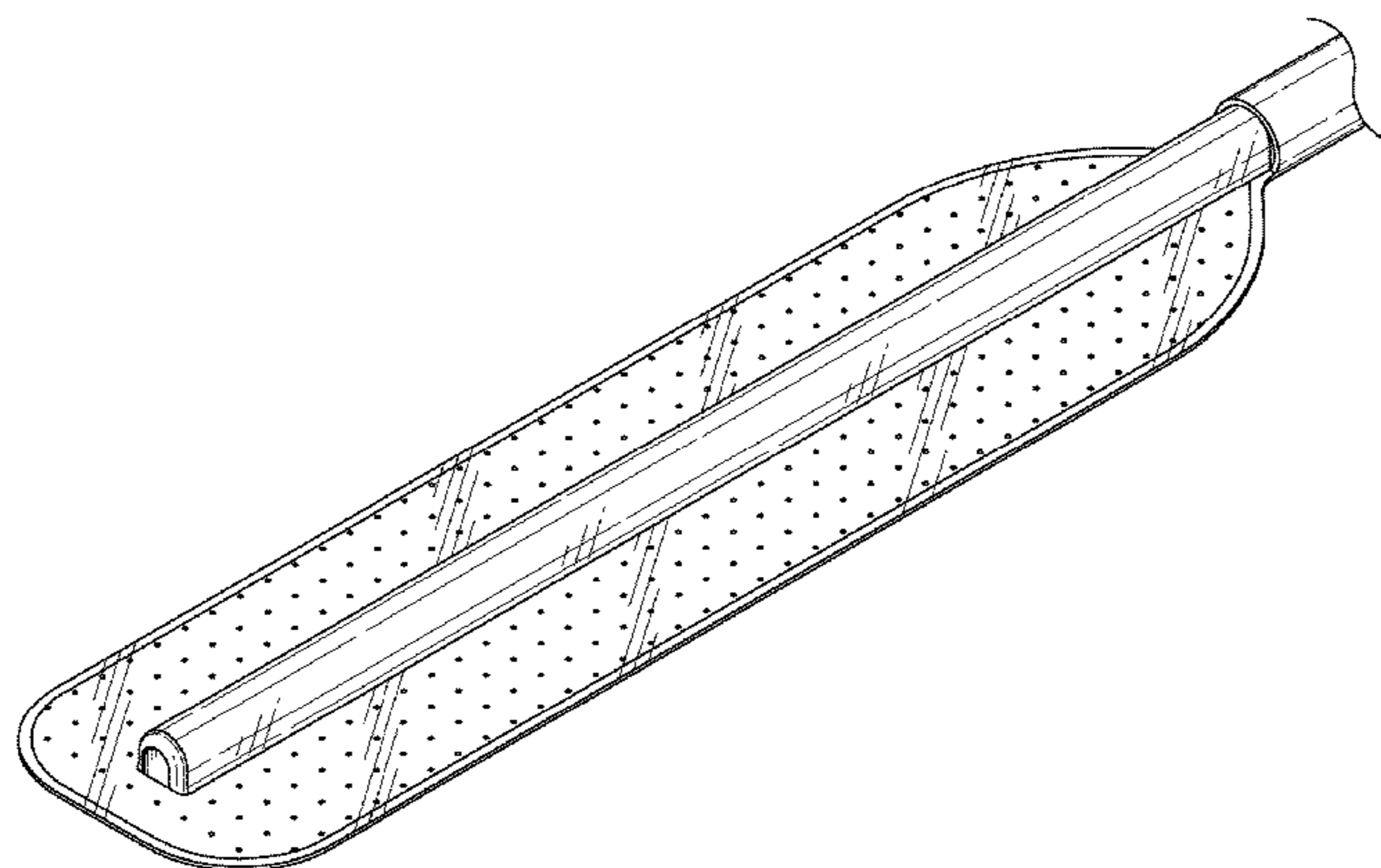
- (63) Continuation-in-part of application No. 13/240,781, filed on Sep. 22, 2011.
- (51) **LOC (9) Cl.** **24-02**
- (52) **U.S. Cl.** **D24/112**
- (58) **Field of Classification Search** D24/112-114, D24/133, 186, 130, 127, 176; 606/181, 185; 604/164.01-164.09, 533, 232, 187, 168.01, 604/192, 19, 48, 93.01, 264, 523, 524, 526, 604/527, 525, 172; 600/101, 139, 143; 128/200.24, 128/207.14, 207.15
See application file for complete search history.

References Cited

U.S. PATENT DOCUMENTS

3,823,720 A	7/1974	Tribble	
3,967,728 A *	7/1976	Gordon et al.	604/172
4,048,996 A	9/1977	Mittleman et al.	
4,364,394 A	12/1982	Wilkinson	
4,623,329 A	11/1986	Drobish	
4,643,716 A	2/1987	Drach	
D294,639 S *	3/1988	Croll	D24/176
4,786,500 A	11/1988	Wong	
D300,947 S *	5/1989	Utas-Sjoberg	D24/112
4,925,452 A	5/1990	Melinyshyn et al.	
5,201,723 A	4/1993	Quinn	
5,221,255 A	6/1993	Mahurkar et al.	
5,234,406 A	8/1993	Drasner et al.	

5,318,517 A	6/1994	Reiman	
5,320,599 A	6/1994	Griep et al.	
5,425,723 A	6/1995	Wang	
5,433,713 A *	7/1995	Trotta	604/264
5,458,582 A	10/1995	Nakao et al.	
5,523,092 A	6/1996	Hanson et al.	
5,533,986 A	7/1996	Mottola et al.	
5,545,151 A *	8/1996	O'Connor et al.	604/524
5,616,121 A	4/1997	McKay et al.	
5,647,859 A	7/1997	Lampropoulos et al.	
5,647,860 A	7/1997	Roth et al.	
5,665,076 A	9/1997	Roth et al.	
5,681,274 A	10/1997	Perkins et al.	
5,702,372 A	12/1997	Nelson	
5,785,678 A	7/1998	Griep et al.	
6,017,323 A *	1/2000	Chee	604/527
6,117,125 A	9/2000	Rothbarth et al.	
6,179,816 B1	1/2001	Mottola et al.	
6,193,704 B1	2/2001	Winters	
6,325,788 B1	12/2001	McKay	
6,350,253 B1	2/2002	Deniega et al.	
6,524,300 B2	2/2003	Meglin	
6,569,839 B1	5/2003	McKay	
6,626,885 B2	9/2003	Massengale	
6,676,643 B2	1/2004	Brushy	
6,689,110 B2	2/2004	Brushy	
6,749,580 B2	6/2004	Work et al.	
D499,017 S *	11/2004	Nestenborg	D24/112
D499,643 S *	12/2004	Nestenborg	D24/112
6,878,128 B2	4/2005	MacMahon et al.	
D505,067 S *	5/2005	Nestenborg	D24/112
6,893,414 B2	5/2005	Goble et al.	
7,001,371 B1	2/2006	McLaughlin et al.	
7,004,923 B2	2/2006	Deniega et al.	
7,100,771 B2	9/2006	Massengale et al.	
7,186,247 B2	3/2007	Ujhelyi et al.	
7,232,425 B2	6/2007	Sorenson et al.	
7,326,196 B2	2/2008	Olsen et al.	
7,438,711 B2	10/2008	Deniega et al.	
7,452,353 B2	11/2008	Dal Porto et al.	
7,462,165 B2	12/2008	Ding et al.	
7,462,177 B2	12/2008	Brushy et al.	
7,465,291 B2	12/2008	Massengale	
7,510,077 B2	3/2009	Massengale et al.	
7,510,550 B2	3/2009	Deniega et al.	
7,527,609 B2	5/2009	Deniega et al.	
7,534,224 B2	5/2009	Triebes et al.	
7,547,302 B2	6/2009	Porto et al.	
7,569,045 B2	8/2009	Deniega et al.	
D605,757 S *	12/2009	Sawyer	D24/130
D605,758 S *	12/2009	Schwartz et al.	D24/133
7,625,337 B2	12/2009	Campbell et al.	
7,778,852 B2	8/2010	Vasko et al.	



US D679,804 S

Page 2

7,780,638	B1	8/2010	Deniega et al.	
7,806,869	B2 *	10/2010	Nilsson et al.	604/164.01
7,815,604	B2	10/2010	Massengale et al.	
7,854,730	B2	12/2010	Dal Porto et al.	
7,854,732	B2	12/2010	Massengale et al.	
7,942,864	B2	5/2011	Hynes	
D640,787	S *	6/2011	Chia et al.	D24/130
7,959,623	B2	6/2011	Massengale	
8,216,176	B2	7/2012	Randolph	
2002/0082547	A1	6/2002	Deniega et al.	
2002/0177803	A1	11/2002	Chappuis	
2003/0069551	A1	4/2003	Bradley, III et al.	
2003/0181864	A1	9/2003	Deniega et al.	
2004/0030281	A1	2/2004	Goble et al.	
2004/0054338	A1	3/2004	Bybordi et al.	
2004/0073194	A1	4/2004	Olsen et al.	
2005/0085769	A1	4/2005	MacMahon et al.	
2005/0177118	A1	8/2005	Hoganson et al.	
2005/0272697	A1	12/2005	Herzberg et al.	
2006/0015089	A1	1/2006	Meglin et al.	
2006/0058731	A1	3/2006	Burnett et al.	
2006/0184098	A1	8/2006	Barnitz	
2006/0229573	A1	10/2006	Lamborne	
2007/0073239	A1	3/2007	Skansen et al.	
2007/0106247	A1	5/2007	Burnett et al.	
2007/0118096	A1	5/2007	Smith et al.	
2007/0197959	A1	8/2007	Panotopoulos	
2007/0197970	A1	8/2007	Shen-Gunther	
2007/0219488	A1	9/2007	Francescatti	
2008/0045883	A1	2/2008	Radojicic	
2009/0182304	A1	7/2009	Deniega et al.	
2009/0184026	A1	7/2009	Massengale et al.	
2010/0000666	A1	1/2010	Deniega et al.	

FOREIGN PATENT DOCUMENTS

JP	09-108218	A	4/1997
WO	WO9208514	A1	5/1992
WO	WO9517918	A1	7/1995
WO	WO9630064	A1	10/1996
WO	WO9640325	A1	12/1996
WO	WO9734655	A1	9/1997
WO	WO9818510	A1	5/1998
WO	WO0015277	A2	3/2000
WO	WO0105210	A2	1/2001
WO	WO0132068	A2	5/2001
WO	WO0170322	A1	9/2001
WO	WO2004101052	A2	11/2004
WO	WO2004101052	A3	6/2005
WO	WO2005110521	A1	11/2005
WO	WO2007070096	A1	6/2007
WO	WO2007142688	A1	12/2007
WO	WO2007143179	A2	12/2007
WO	WO2009009367	A2	1/2009
WO	WO2009009367	A3	1/2009
WO	WO2012040311	A2	3/2012

OTHER PUBLICATIONS

Prior, David V., "Localised Drug Delivery via Collagen-Based Bio-degradable Matrices," The Drug Delivery Companies Report Autumn/Winter 2004, pp. 39-42.

Innocoll, Inc., "Files US and Irish Patent Applications for its Col-laRx® Bupivacaine Implant for the Management of Post-operative Pain," Mar. 29, 2007 10:49:32 AM, from <http://www.innocollinc.com/>.

Supplementary European Search Report for European patent application No. 08781266.5, dated Jun. 16, 2011, 9 pages.

International Preliminary Report on Patentability, for International application No. PCT/US2008/068998, dated Jan. 12, 2010, 1 page.

International Search Report for International application No. PCT/US2008/068998, dated Feb. 25, 2009, 3 pages.

International Search Report for International application No. PCT/US2011/052524, dated Apr. 27, 2012, 6 pages.

* cited by examiner

Primary Examiner — David Muller

(57)

CLAIM

We claim the ornamental design for a catheter, as shown and described.

DESCRIPTION

FIG. 1 is a top perspective view of a catheter showing an embodiment of our new design;

FIG. 2 is a bottom perspective view thereof;

FIG. 3 is a top plan view thereof;

FIG. 4 is a bottom plan view thereof;

FIG. 5 is a side elevational view thereof;

FIG. 6 is a side elevational view thereof opposite that of FIG. 5;

FIG. 7 is a side elevational view thereof rotated 90 degrees from that of FIG. 5;

FIG. 8 is a side elevational view thereof opposite that of FIG. 7;

FIG. 9 is a top perspective view of a catheter showing another embodiment of our new design;

FIG. 10 is a bottom perspective view thereof;

FIG. 11 is a top plan view thereof;

FIG. 12 is a bottom plan view thereof;

FIG. 13 is a side elevational view thereof;

FIG. 14 is a side elevational view thereof opposite that of FIG. 13;

FIG. 15 is a side elevational view thereof rotated 90 degrees from that of FIG. 13; and,

FIG. 16 is a side elevational view thereof opposite that of FIG. 15.

The broken line showing of parts of the drawings is included for the purpose of illustrating use and environment and forms no part of the claimed design.

1 Claim, 12 Drawing Sheets

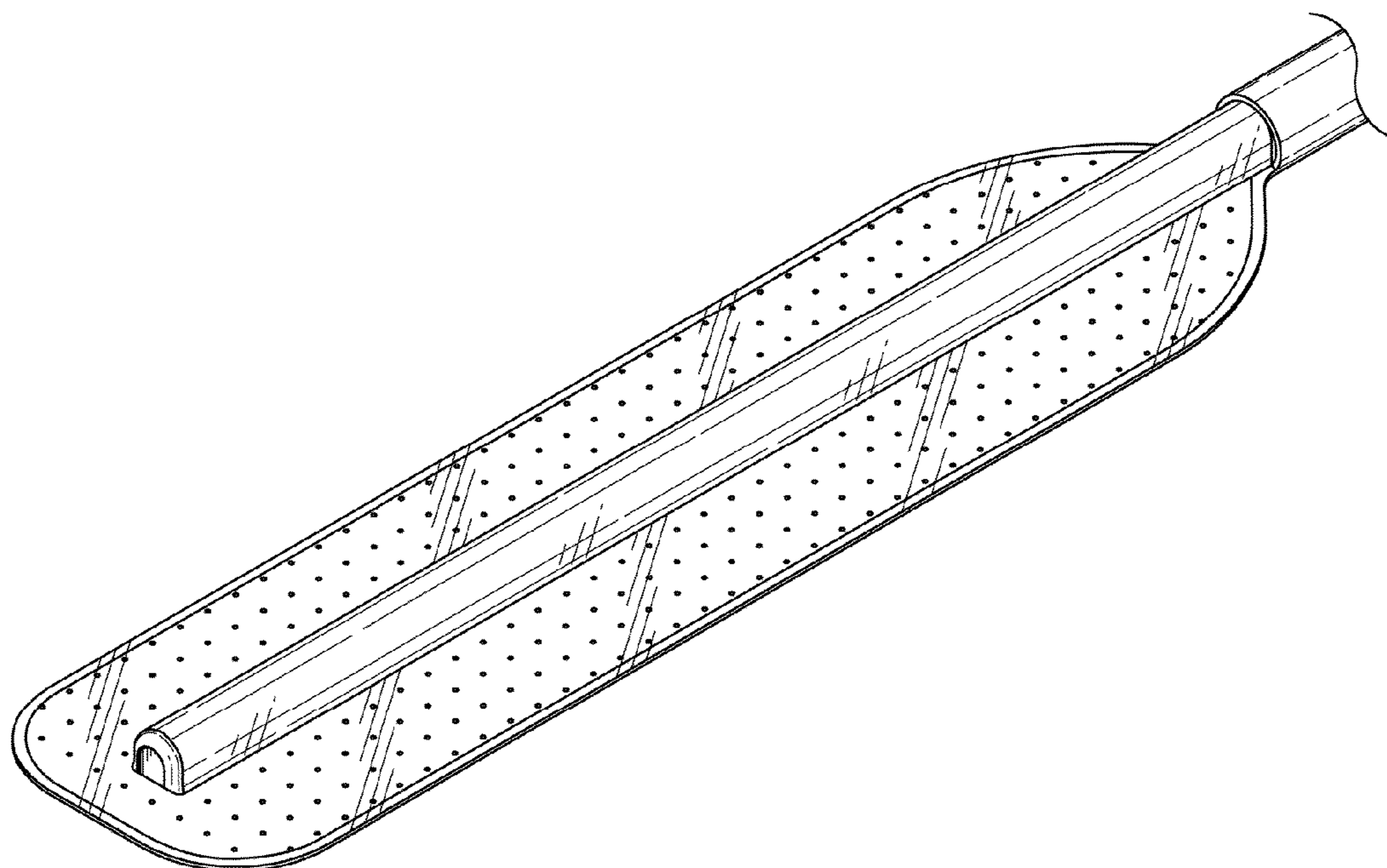


FIG. 1

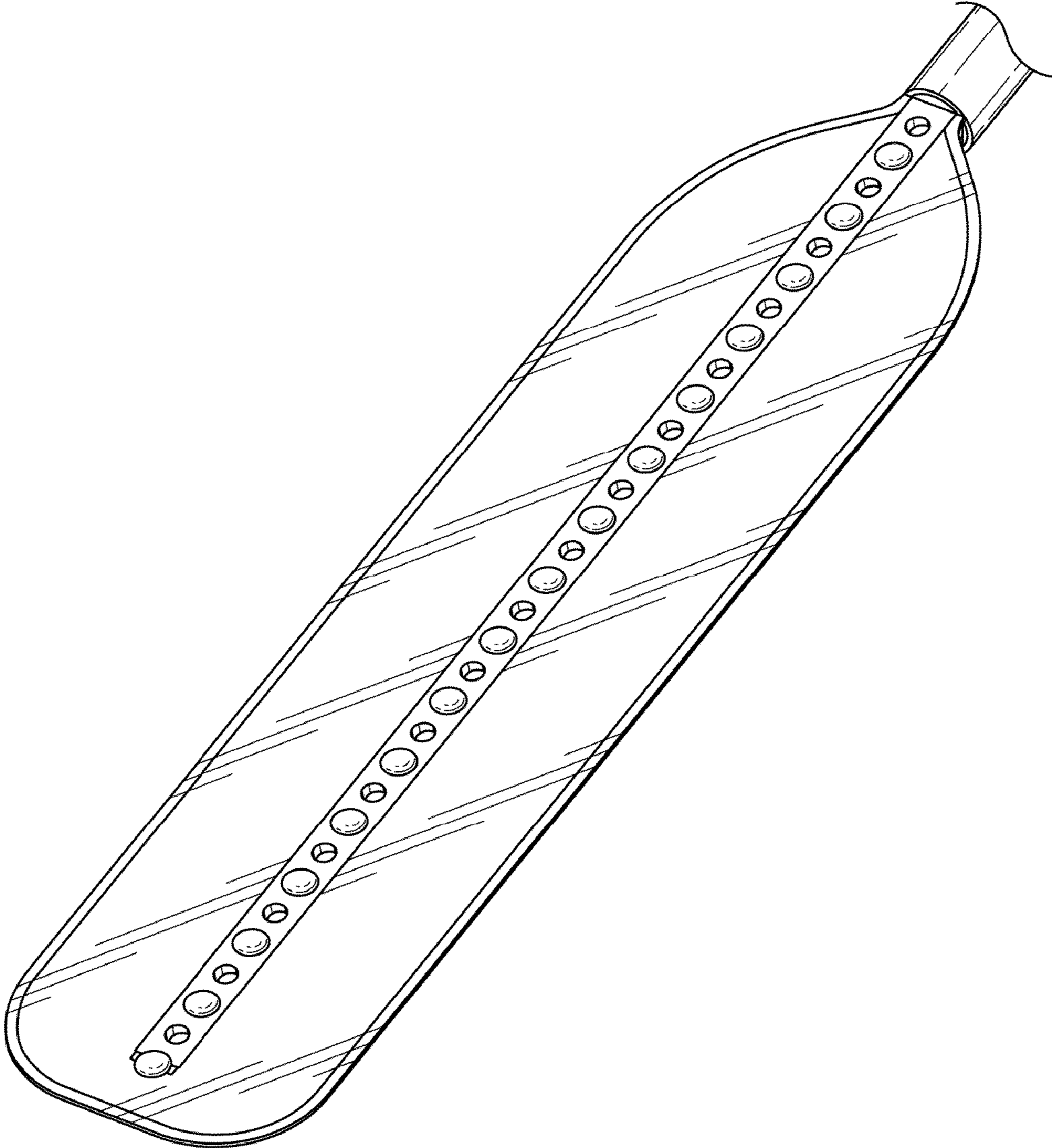


FIG. 2

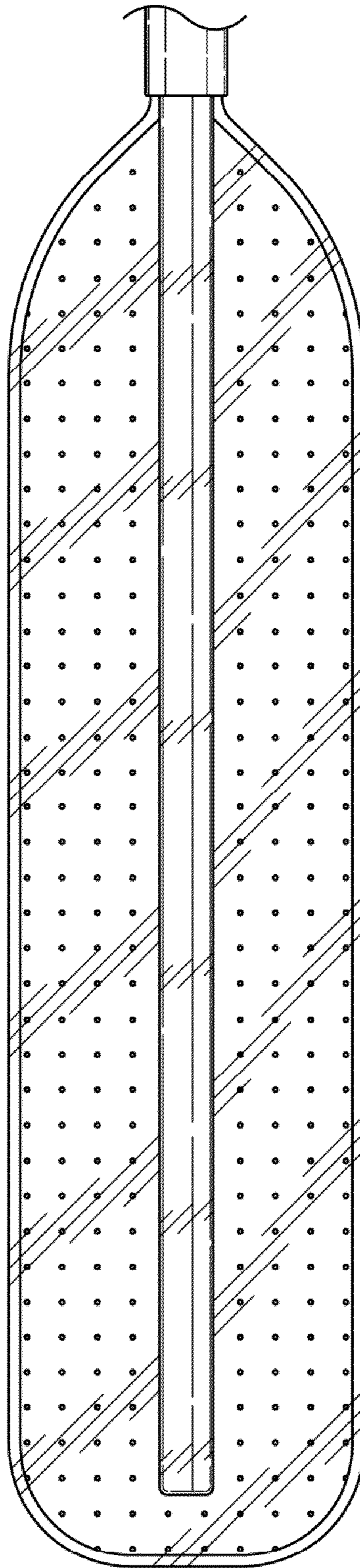


FIG. 3

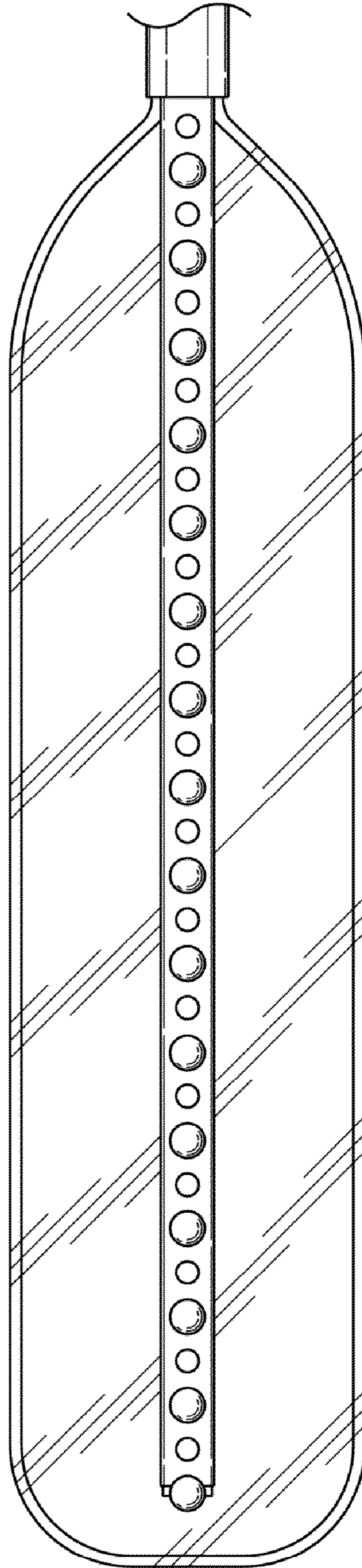


FIG. 4

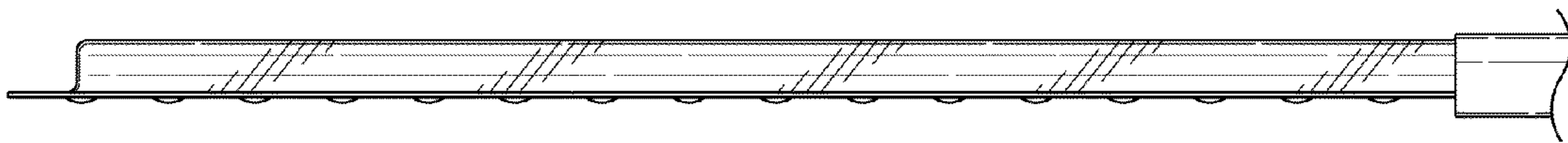


FIG. 5

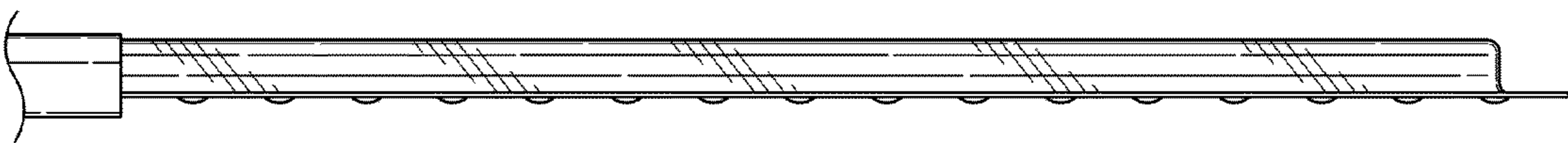


FIG. 6

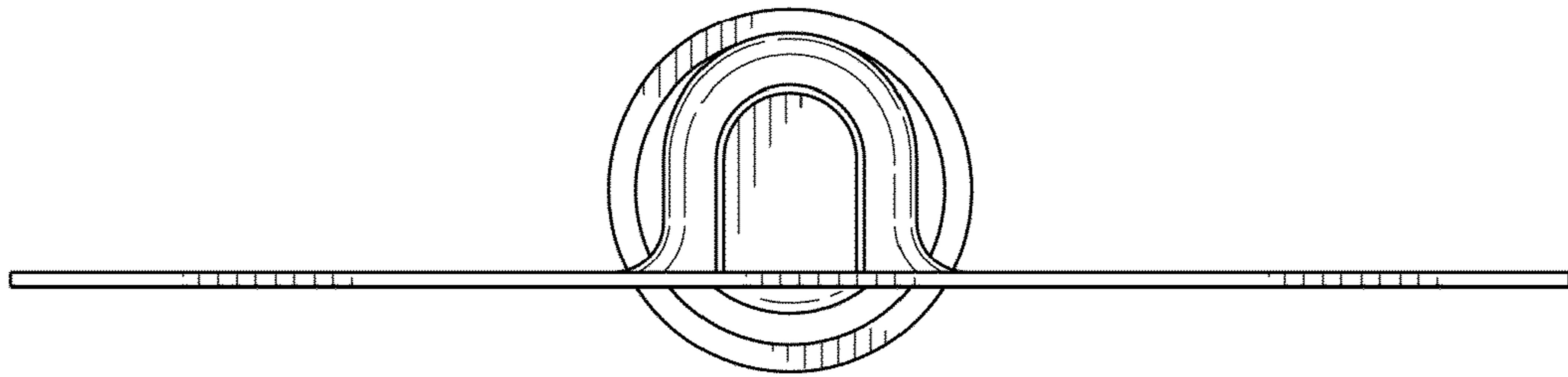


FIG. 7

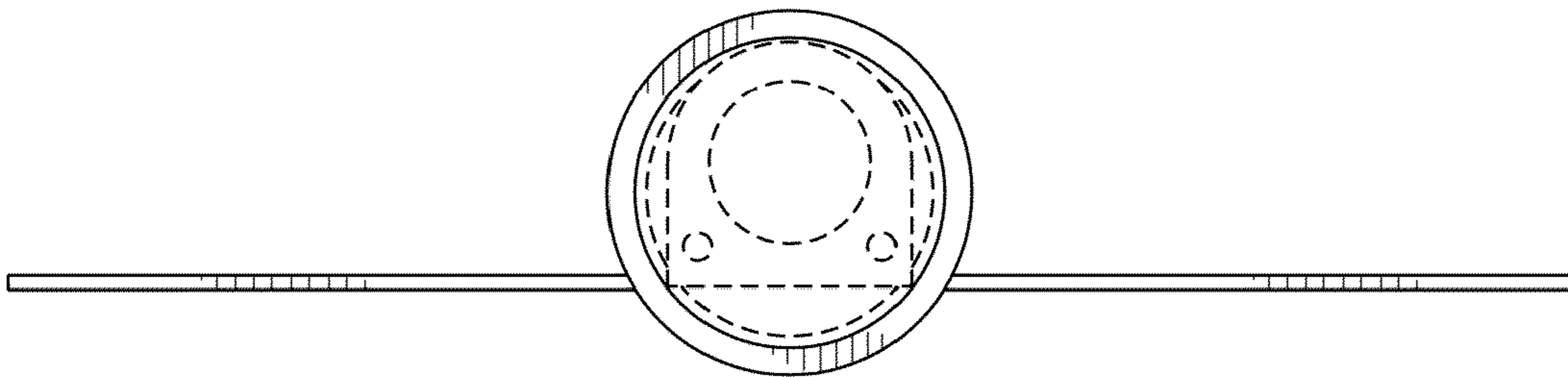


FIG. 8

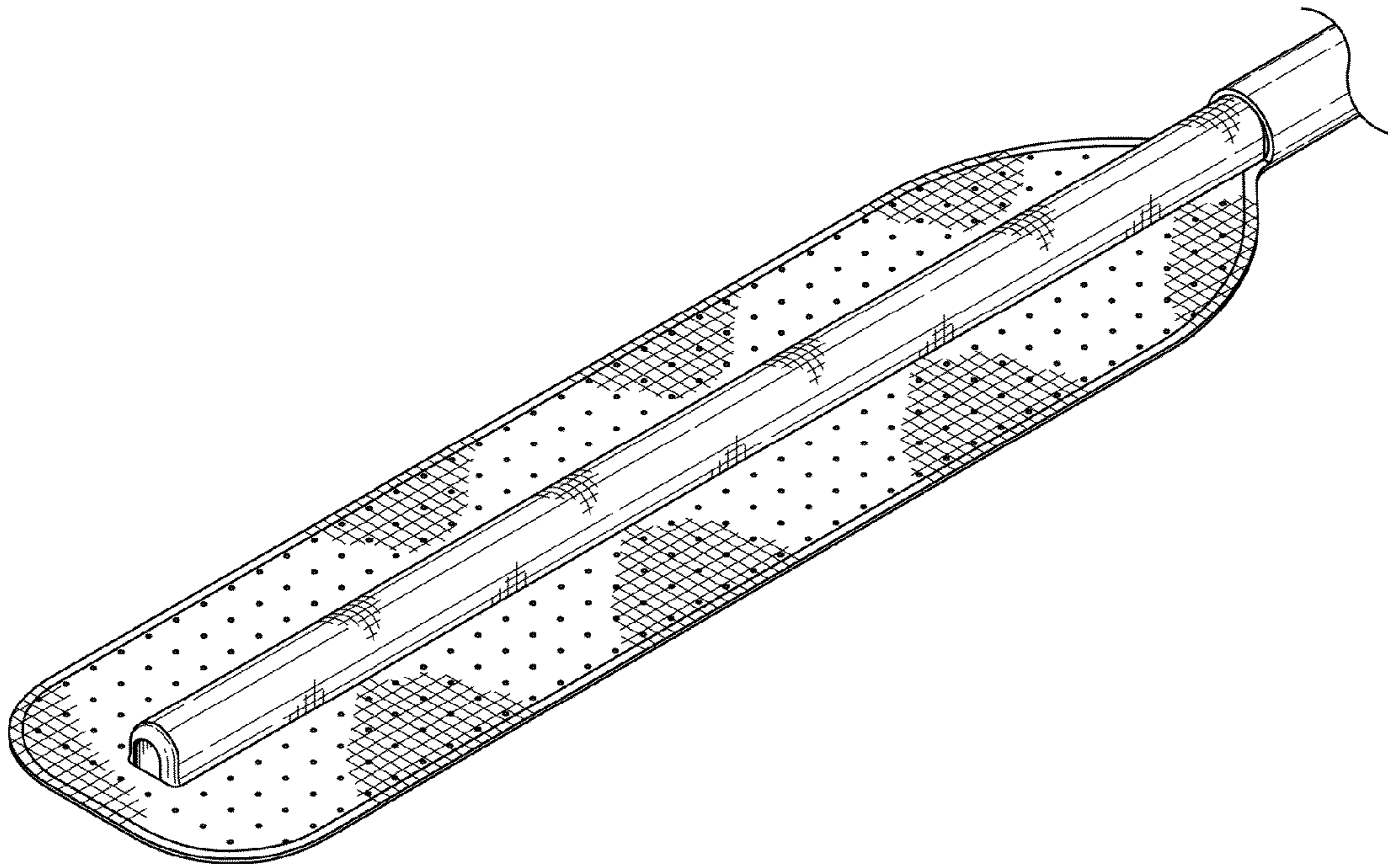


FIG. 9

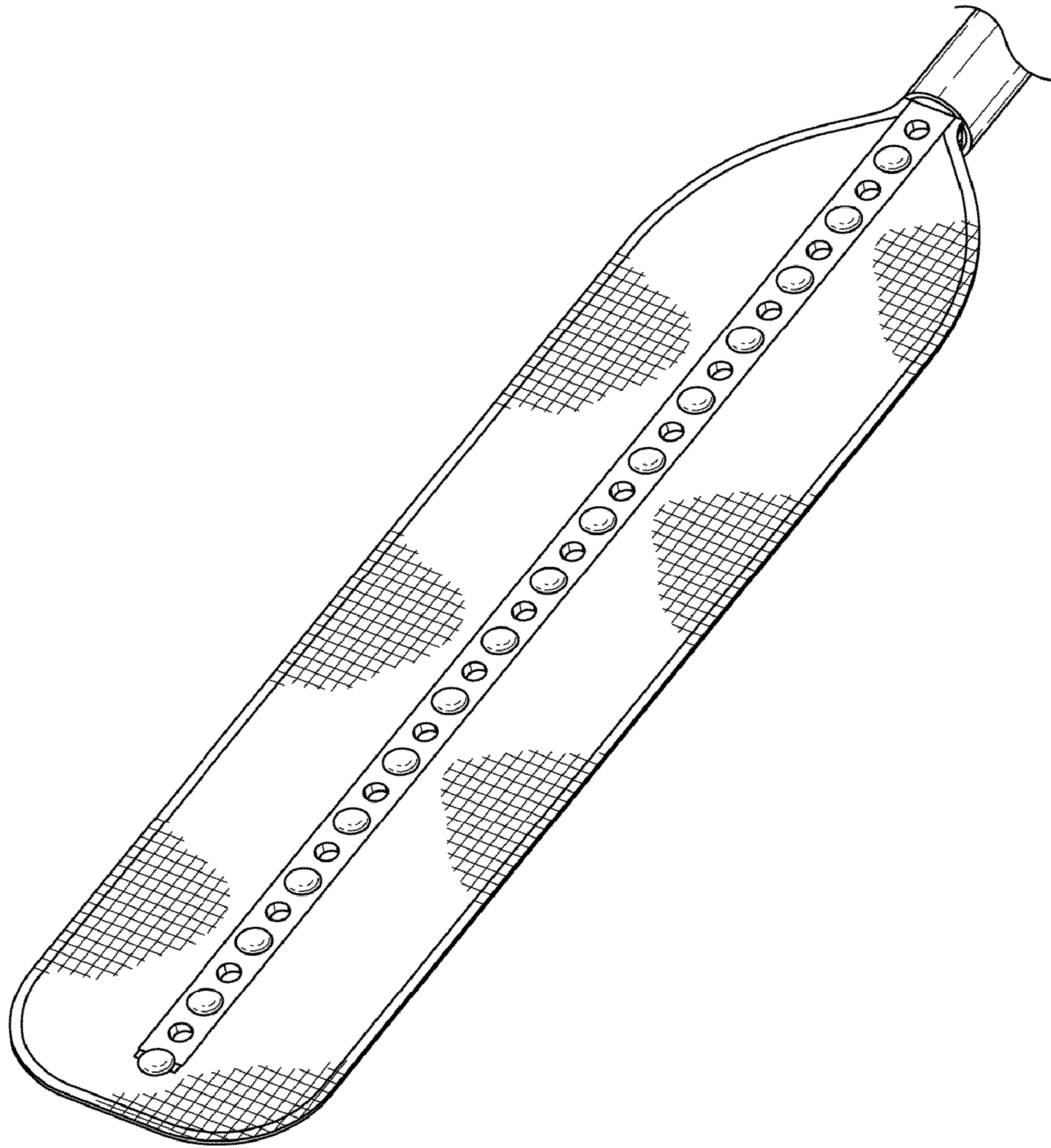


FIG. 10

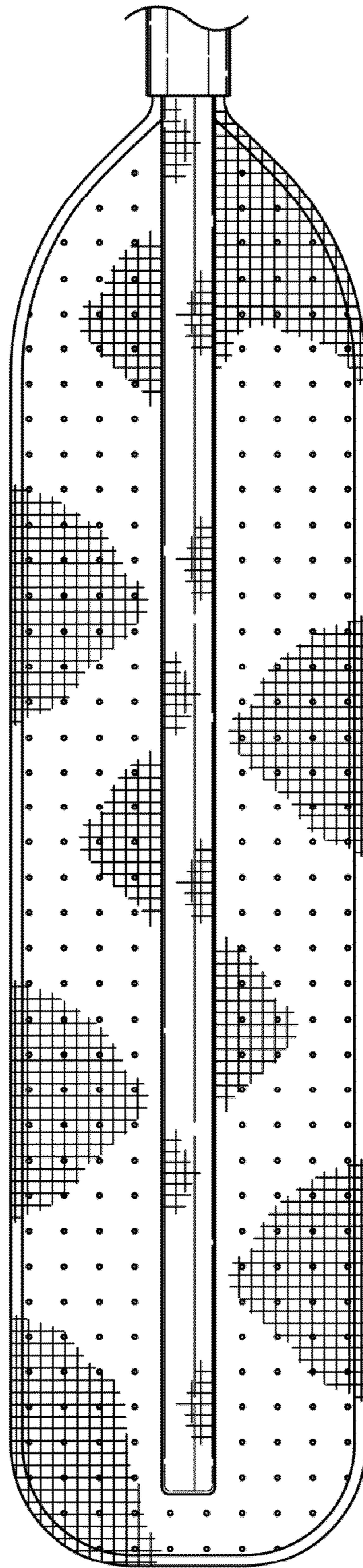


FIG. 11

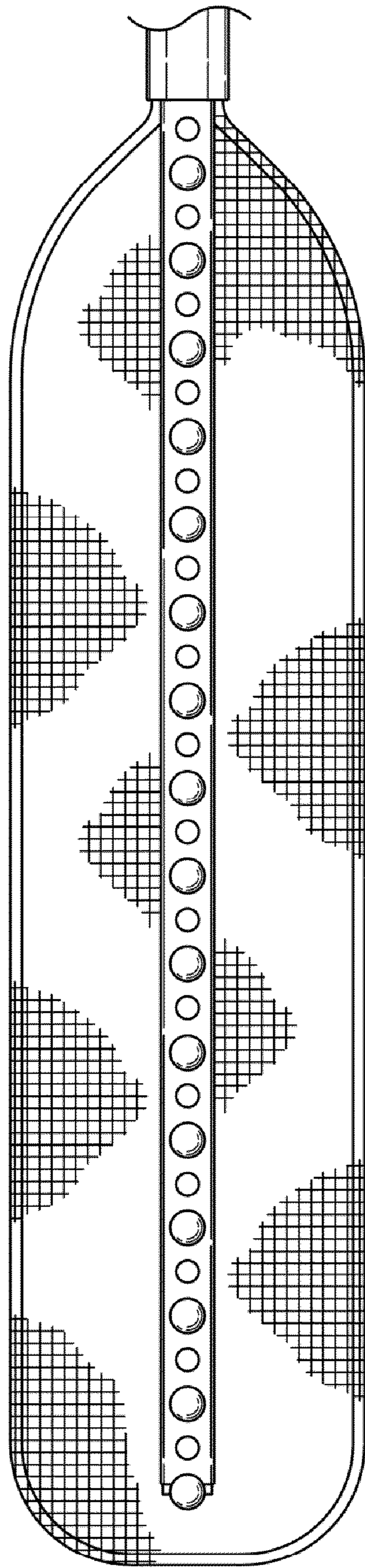


FIG. 12

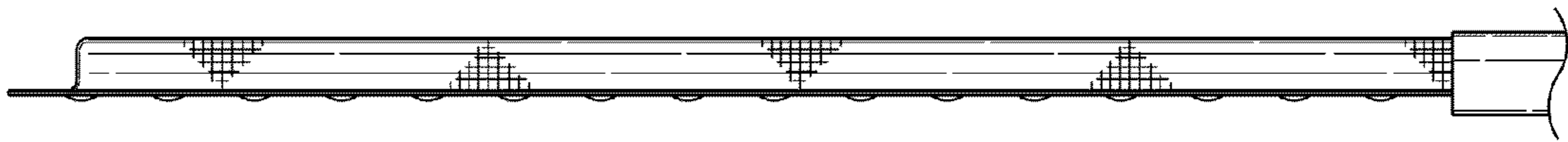


FIG. 13

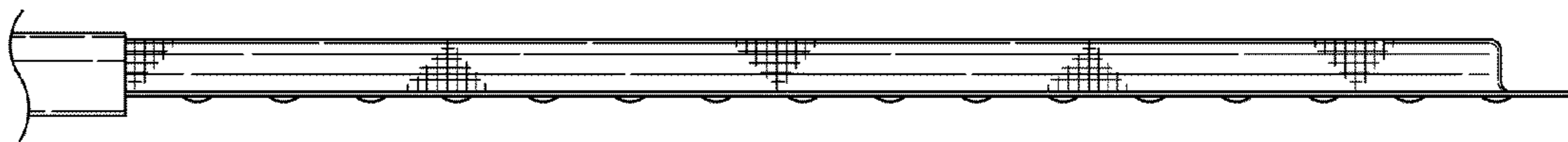


FIG. 14

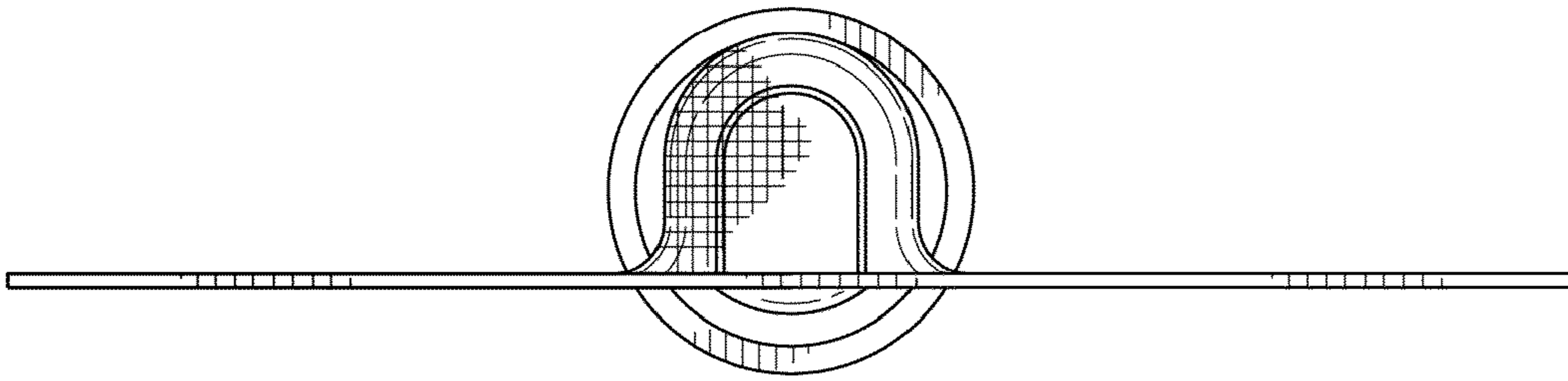


FIG. 15

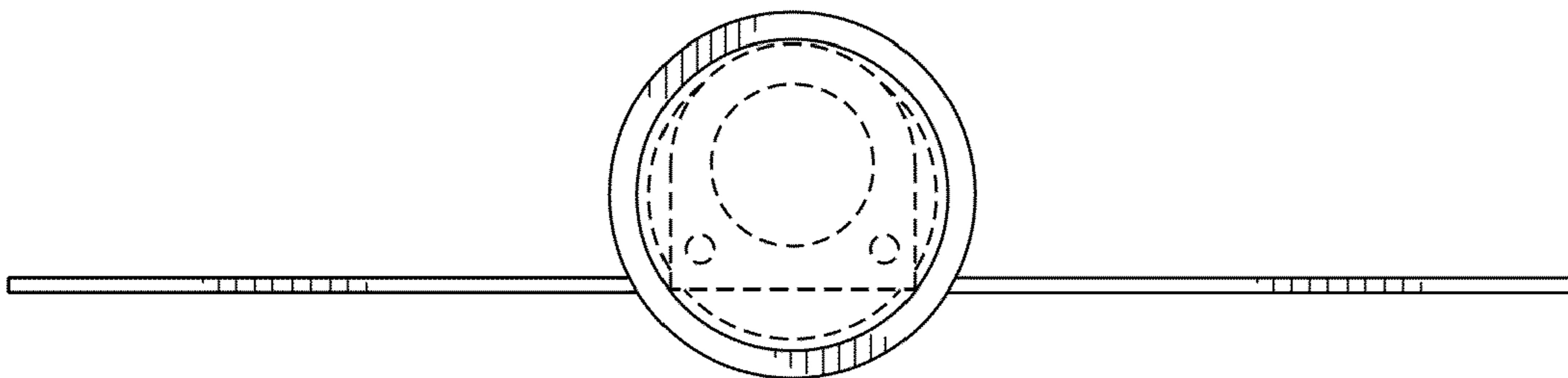


FIG. 16