



US00D679801S

(12) **United States Design Patent**
Abel et al.

(10) **Patent No.:** **US D679,801 S**

(45) **Date of Patent:** **** Apr. 9, 2013**

(54) **POWERED AIR PURIFYING RESPIRATOR BLOWER**

(75) Inventors: **Nathan A. Abel**, Minneapolis, MN (US);
John M. Pilgrim, Woodbury, MN (US)

(73) Assignee: **3M Innovative Properties Company**,
St. Paul, MN (US)

(**) Term: **14 Years**

(21) Appl. No.: **29/413,397**

(22) Filed: **Feb. 15, 2012**

(51) **LOC (9) Cl.** **29-02**

(52) **U.S. Cl.** **D24/110**

(58) **Field of Classification Search** D24/110,
D24/164; D23/364, 383; 128/200.24, 204.18,
128/204.21, 205.12, 205.27

See application file for complete search history.

(56) **References Cited**

U.S. PATENT DOCUMENTS

D214,052	S	*	5/1969	Haskin et al.	D23/364
4,899,740	A		2/1990	Napolitano		
D350,602	S	*	9/1994	Hobbs	D24/110
D444,225	S	*	6/2001	Andersson et al.	D24/110
D471,273	S	*	3/2003	Albulet et al.	D24/110
D473,640	S	*	4/2003	Cuffaro et al.	D24/110
6,575,165	B1	*	6/2003	Cook et al.	128/206.17
D579,549	S	*	10/2008	Birath et al.	D24/110
D614,285	S	*	4/2010	Birath et al.	D24/110
D632,375	S		2/2011	Curran		
D646,379	S		10/2011	Huh		
2009/0314295	A1		12/2009	Hatmaker		
2011/0126713	A1	*	6/2011	Legare et al.	96/135

OTHER PUBLICATIONS

Miller PAPR webpage obtained from internet on Feb. 20, 2012 http://www.millerwelds.com/products/welding_protection/filtration/papr/.

* cited by examiner

Primary Examiner — Ian Simmons

Assistant Examiner — Richelle Shelton

(74) *Attorney, Agent, or Firm* — Eric D. Levinson

(57) **CLAIM**

The ornamental design for a powered air purifying respirator blower, as shown and described.

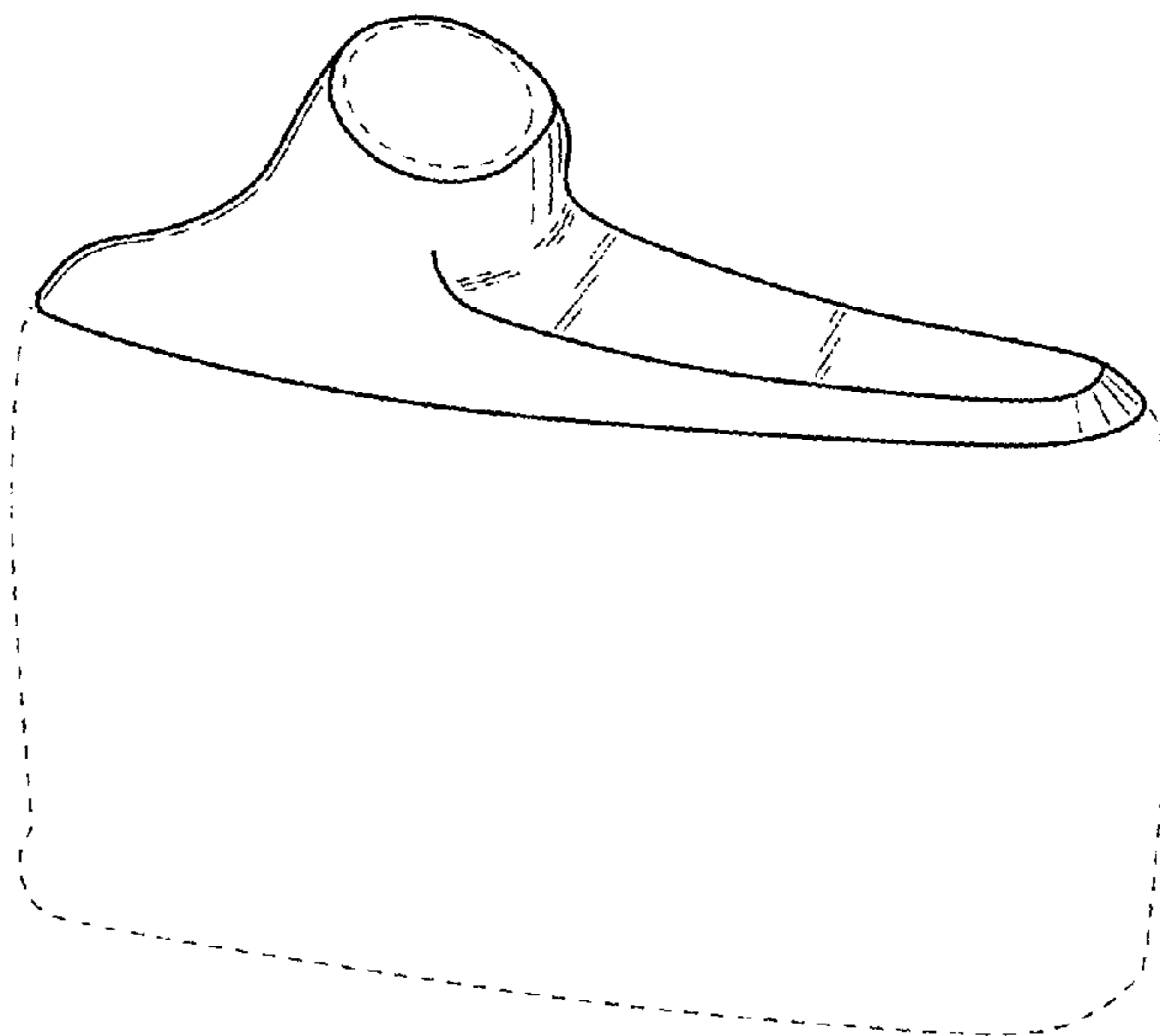
DESCRIPTION

FIG. 1 is a front perspective view showing the new design for a powered air purifying respirator blower;
FIG. 2 is a front view thereof;
FIG. 3 is a back view thereof;
FIG. 4 is a top view thereof;
FIG. 5 is a bottom view thereof;
FIG. 6 is a left view thereof; and,
FIG. 7 is a right view thereof.

The broken line showing of portions of the article is included for the purpose of illustrating environmental structure and forms no part of the claimed design.

The shading is provided to illustrate contour only and is not an indication of surface texture.

1 Claim, 3 Drawing Sheets



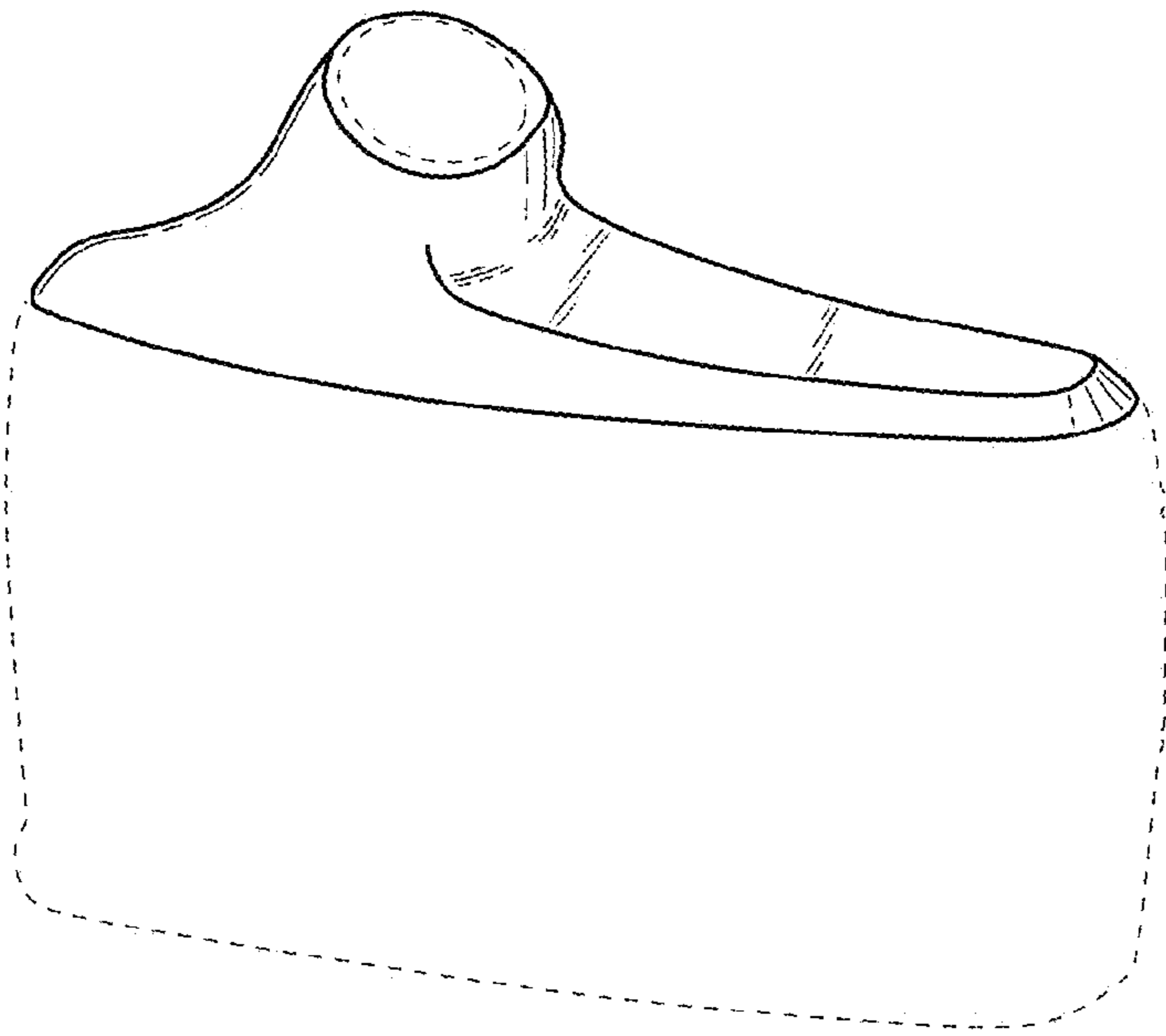


Fig. 1

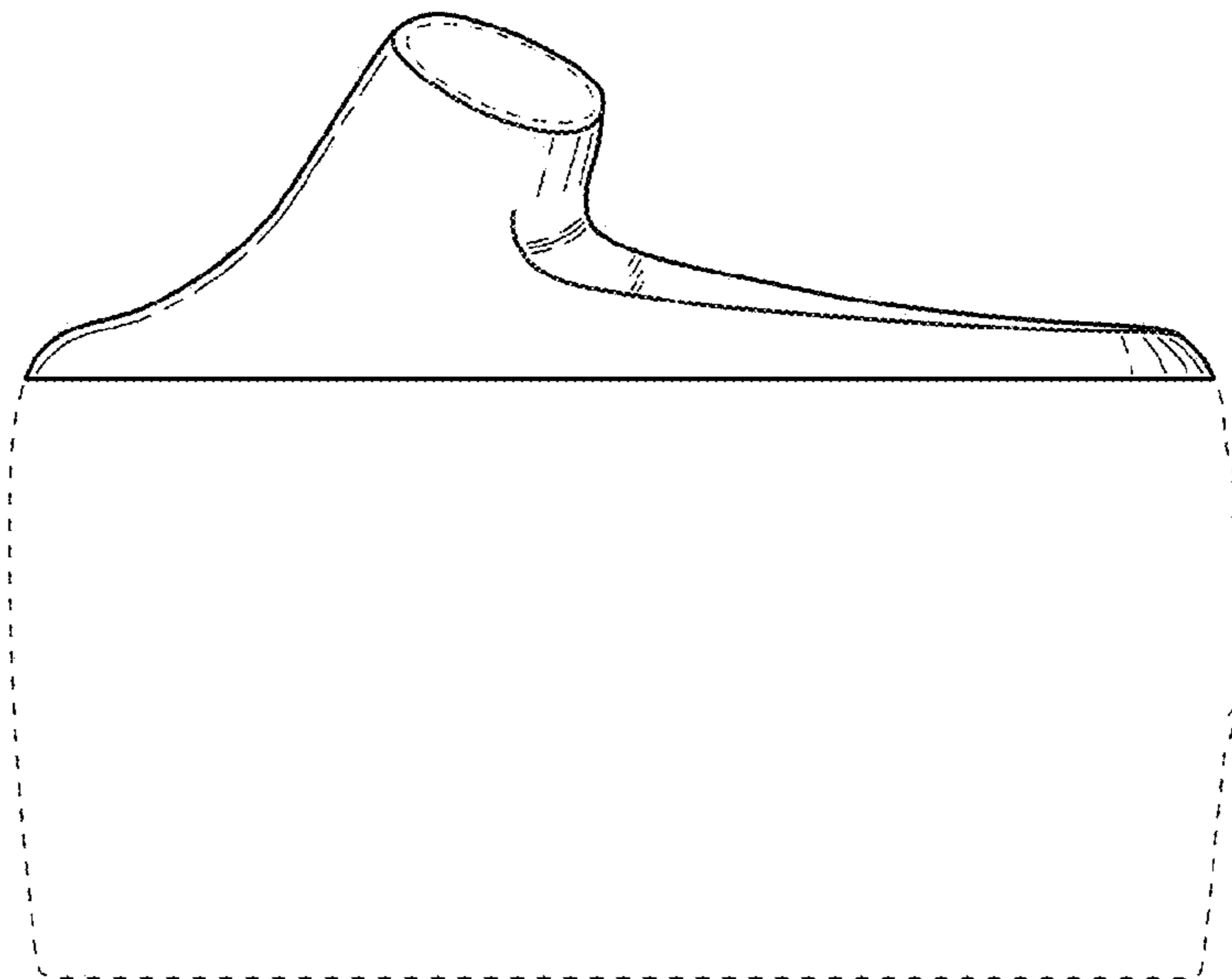


Fig. 2

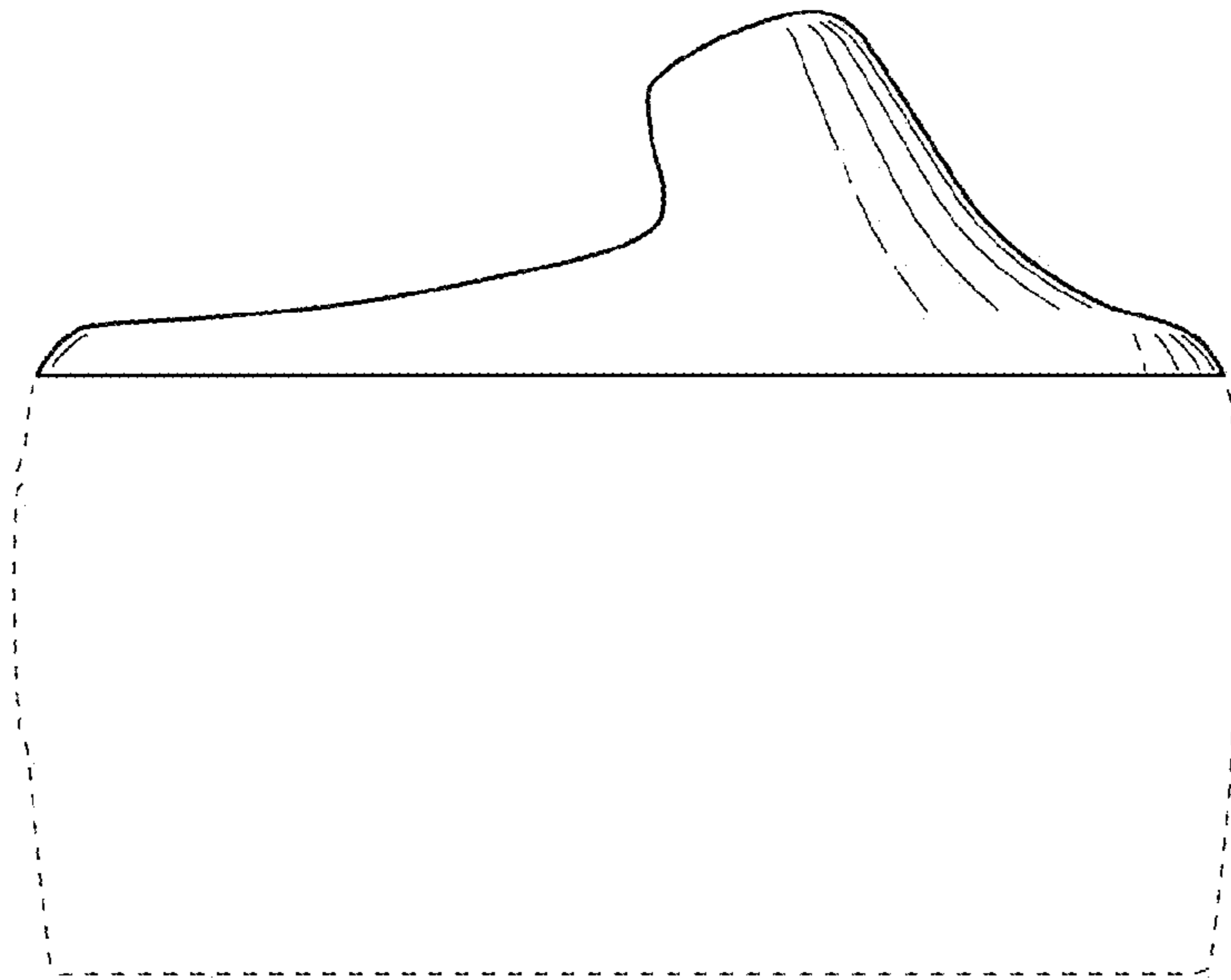


Fig. 3

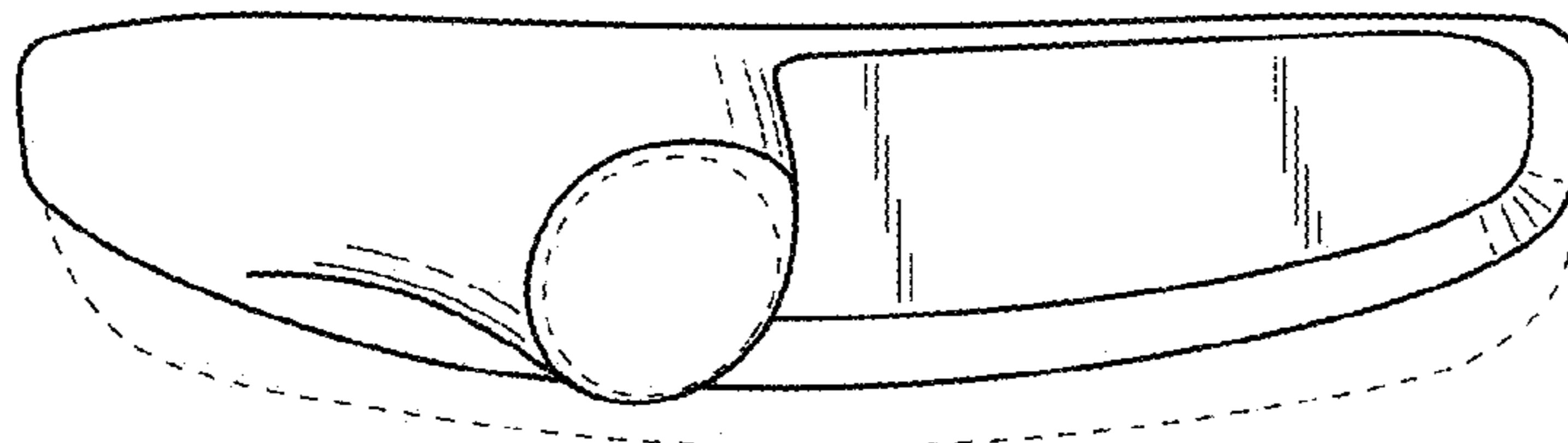


Fig. 4

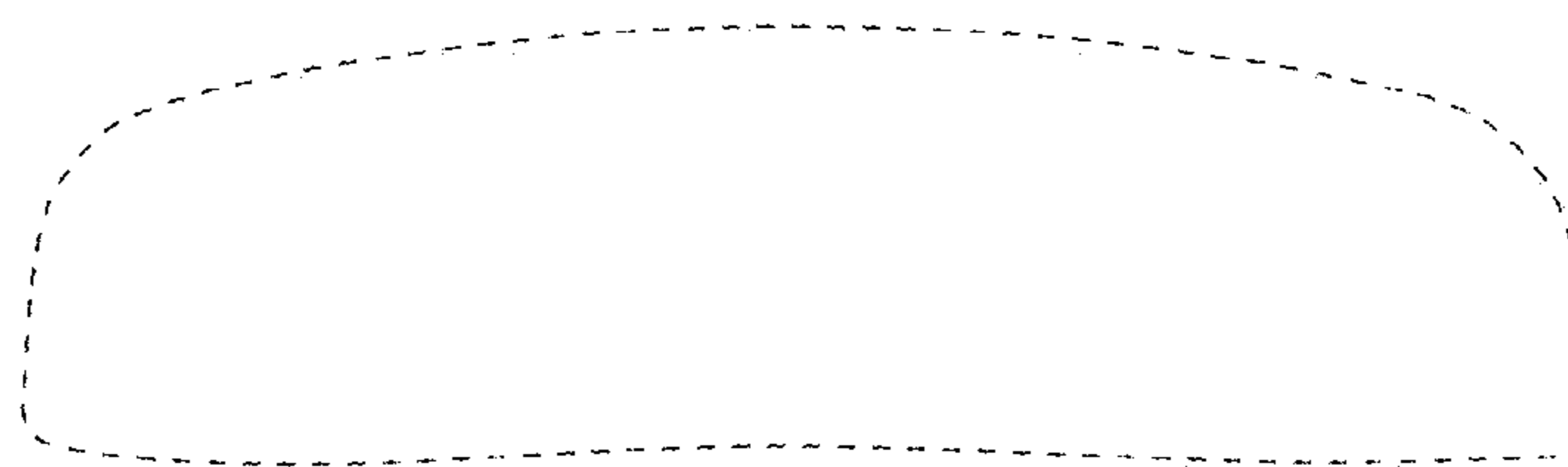


Fig. 5

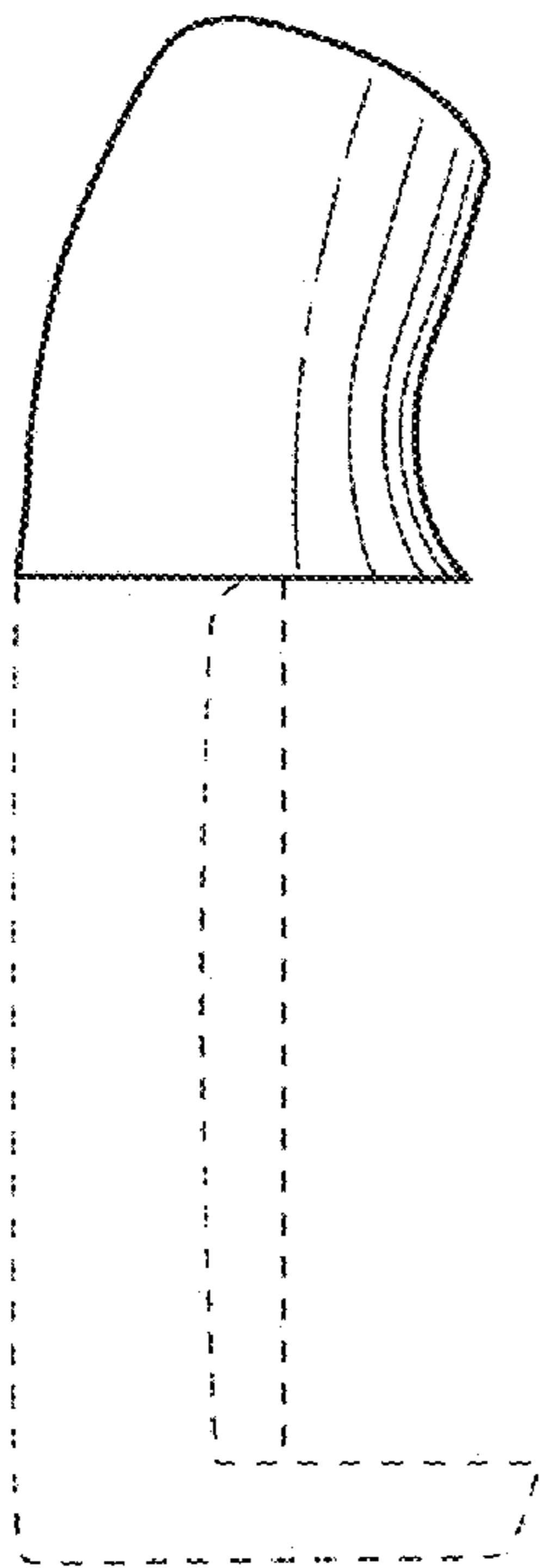


Fig. 6

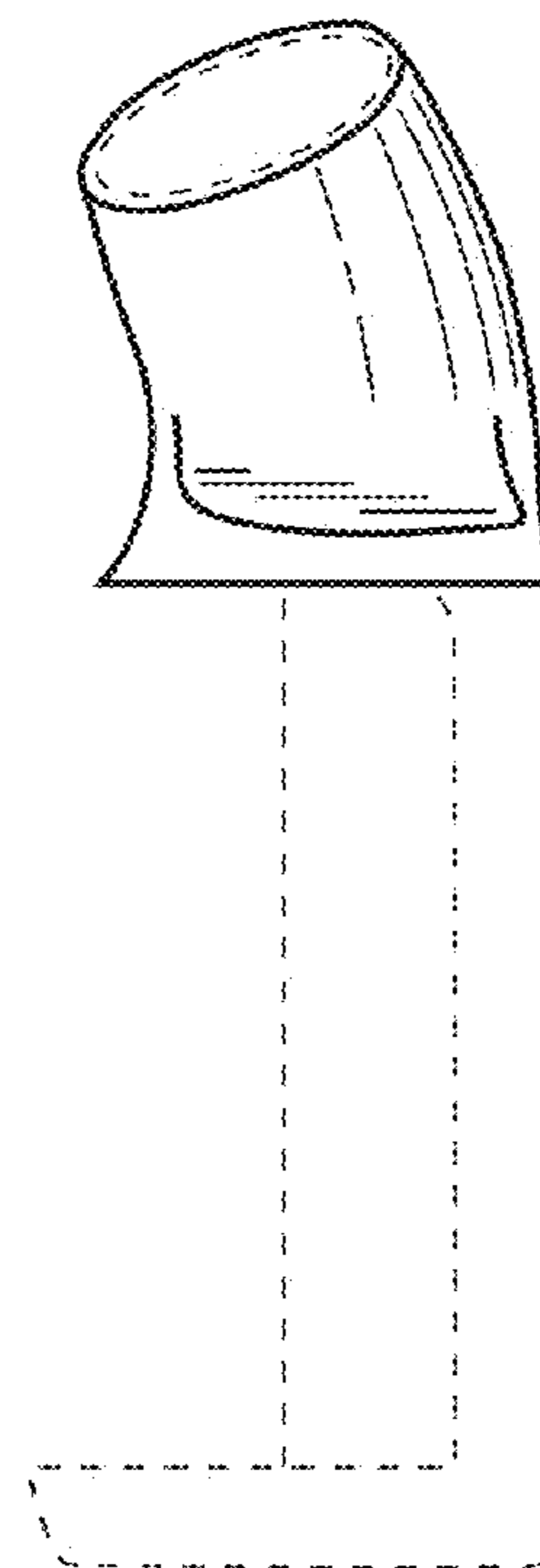


Fig. 7