



US00D679800S

(12) **United States Design Patent**
Gusky et al.

(10) **Patent No.:** **US D679,800 S**

(45) **Date of Patent:** **** Apr. 9, 2013**

(54) **MEDICAL DEVICE FOR TREATMENT OF SLEEP DISORDERS**

(75) Inventors: **Michael Gusky**, Weston, FL (US);
Dennis Schroeder, Los Angeles, CA (US);
Greg Miller, Coral Springs, FL (US);
Stuart Allan Karten, Venice, CA (US);
Jeffrey Walter Bentzler, Los Angeles, CA (US)

(73) Assignee: **Insleep Technologies, LLC**, Weston, FL (US)

(**) Term: **14 Years**

(21) Appl. No.: **29/392,909**

(22) Filed: **May 27, 2011**

(51) **LOC (9) Cl.** **29-02**

(52) **U.S. Cl.**
USPC **D24/110**

(58) **Field of Classification Search** D24/110-110.6;
128/200.16-200.23, 204.14
See application file for complete search history.

(56) **References Cited**

U.S. PATENT DOCUMENTS

4,949,715 A * 8/1990 Brugger 128/204.21
5,673,687 A * 10/1997 Dobson et al. 128/204.14
5,715,812 A * 2/1998 Deighan et al. 128/204.23

D421,298 S * 2/2000 Kenyon et al. D24/110
D453,560 S * 2/2002 Van Brunt D23/355
D487,311 S * 3/2004 Lithgow et al. D24/110
D585,991 S * 2/2009 Helgeson et al. D24/176
2007/0048159 A1 * 3/2007 DiMatteo et al. 417/423.14
2010/0218764 A1 * 9/2010 Kwok et al. 128/204.18
2011/0155132 A1 * 6/2011 Virr et al. 128/203.26
2011/0203587 A1 * 8/2011 Bertinetti et al. 128/204.18
2011/0283999 A2 * 11/2011 Smith et al. 128/203.16

* cited by examiner

Primary Examiner — Richard E Chilcot

(74) *Attorney, Agent, or Firm* — Holland & Knight LLP;
Brian J. Colandreo; Elizabeth R. Burkhard

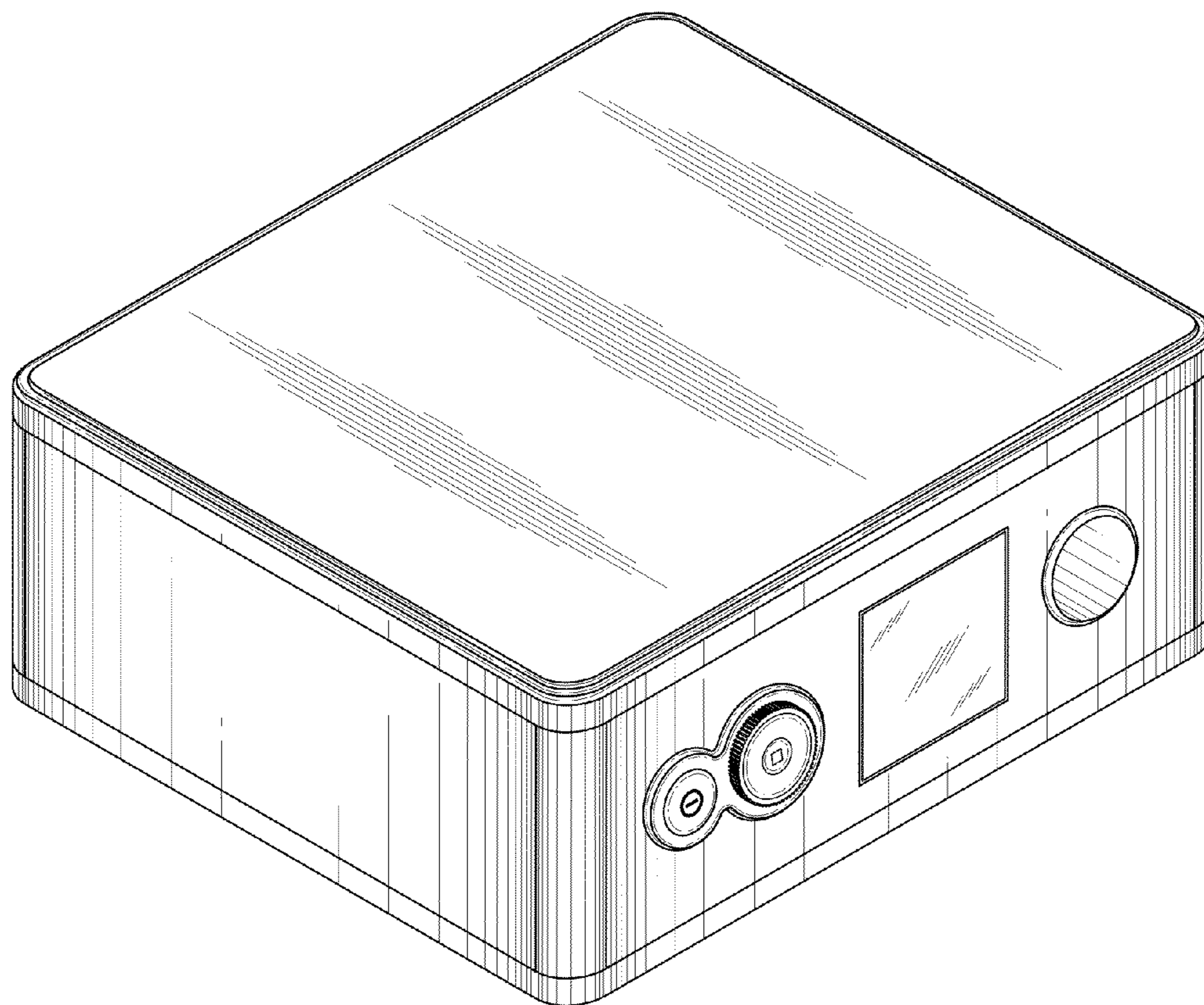
(57) **CLAIM**

The ornamental design for a medical device for treatment of sleep disorders, as shown and described.

DESCRIPTION

FIG. 1 is a front, right perspective view of a medical device for treatment of sleep disorders;
FIG. 2 is a front, right perspective view thereof;
FIG. 3 is a front elevational view thereof;
FIG. 4 is a rear elevational view thereof;
FIG. 5 is a right side elevational view thereof;
FIG. 6 is a left side elevational view thereof;
FIG. 7 is top plan view thereof; and,
FIG. 8 is a front, top side perspective view thereof.
The broken line showing of electrical ports, communication ports and tubing is for the purpose of illustrating environmental structure and forms no part of the claimed design.

1 Claim, 8 Drawing Sheets



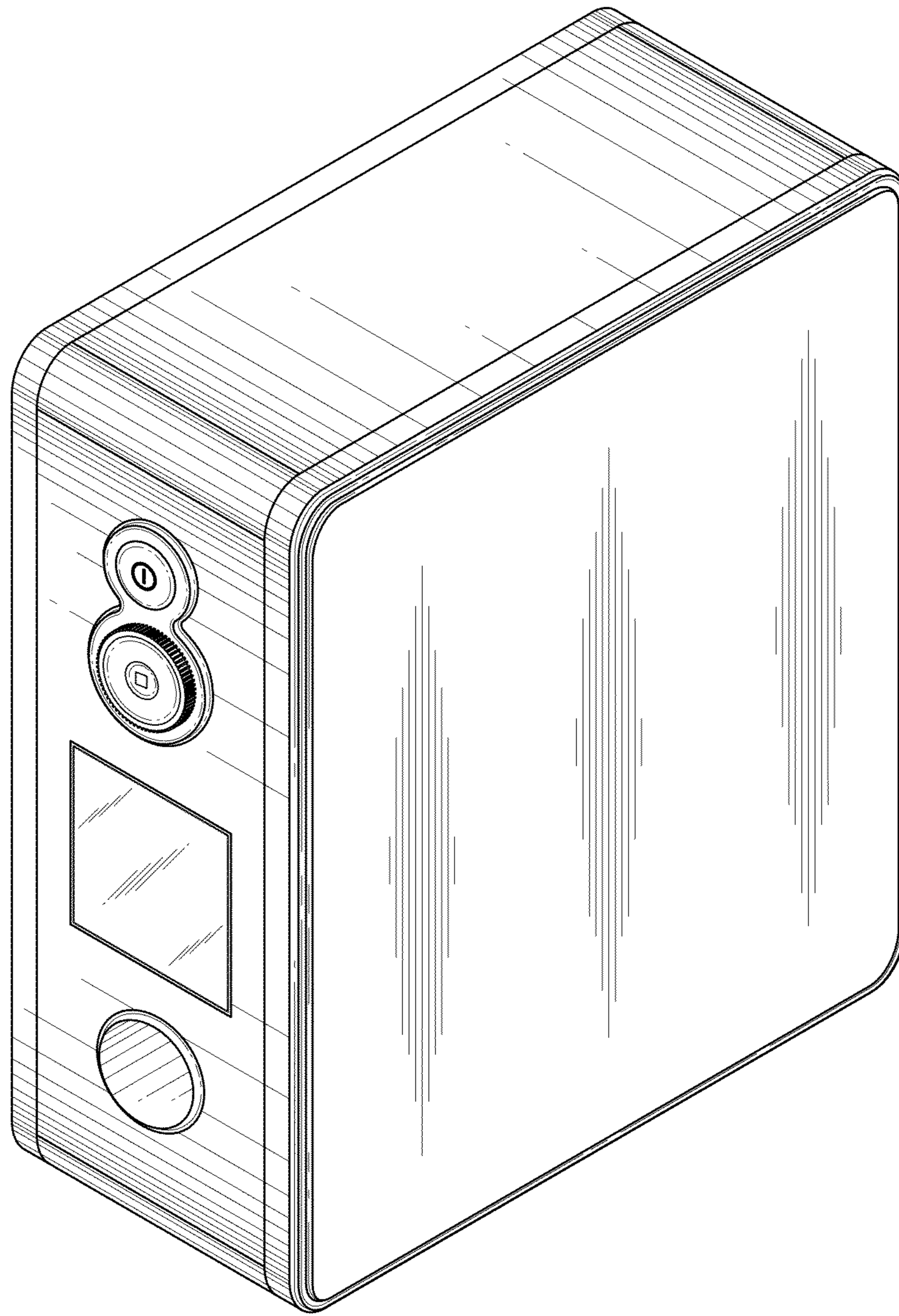


FIG. 1

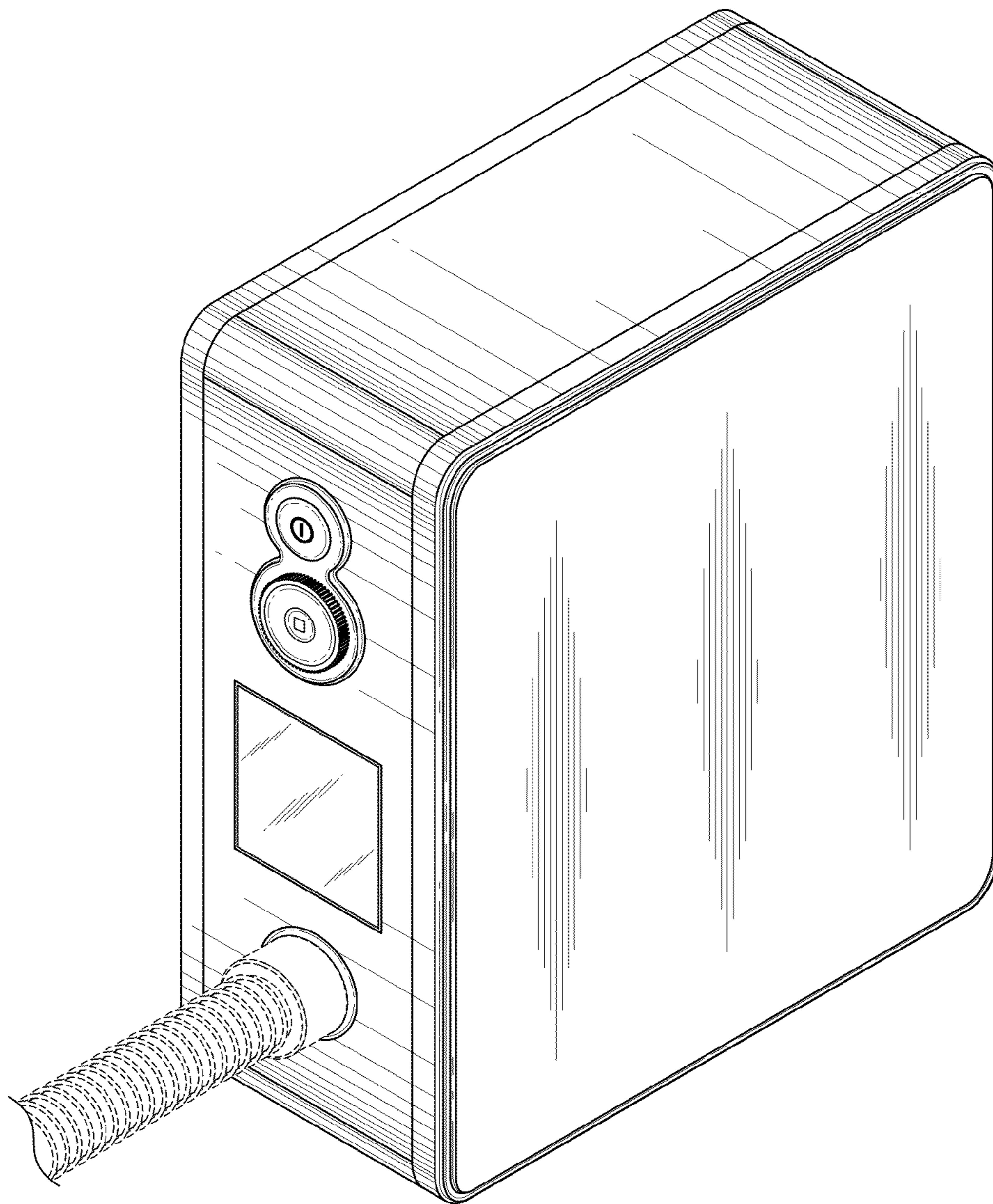


FIG. 2

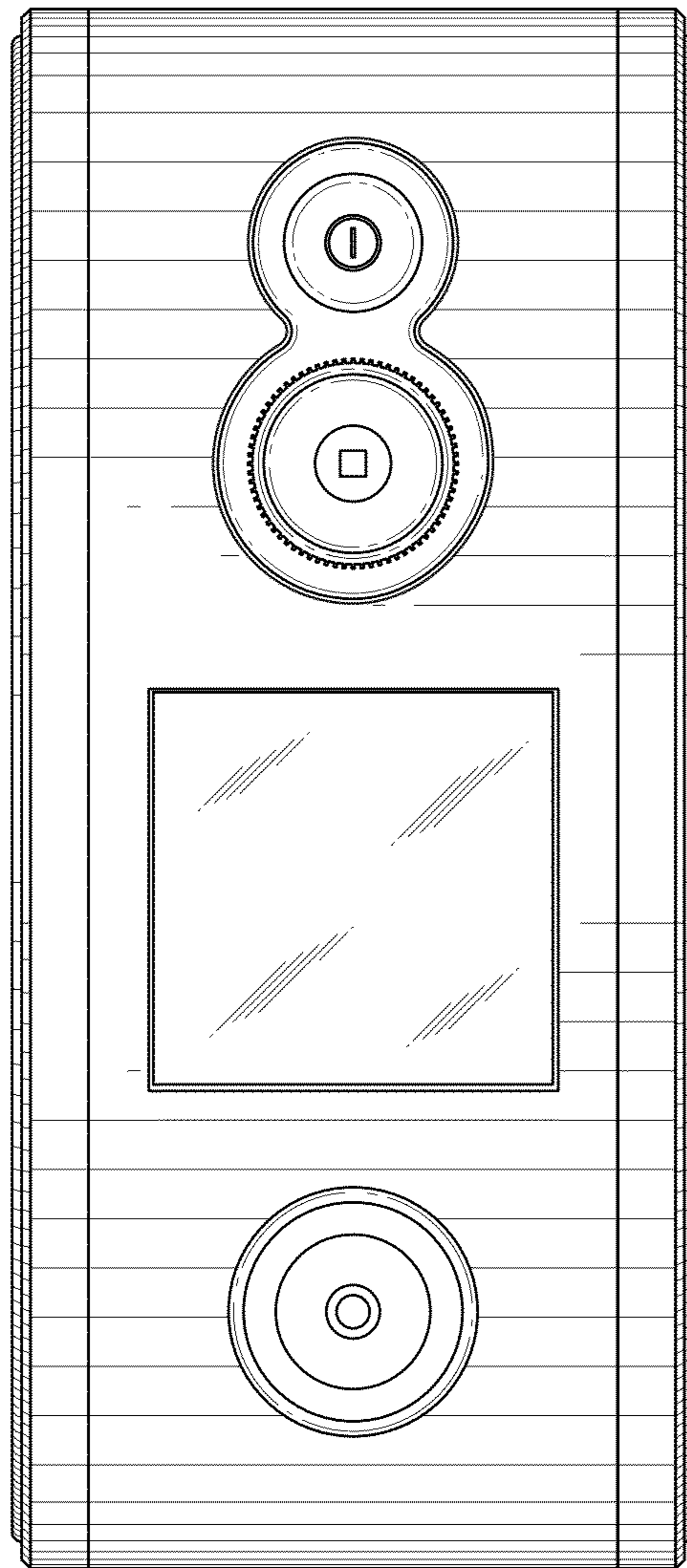


FIG. 3

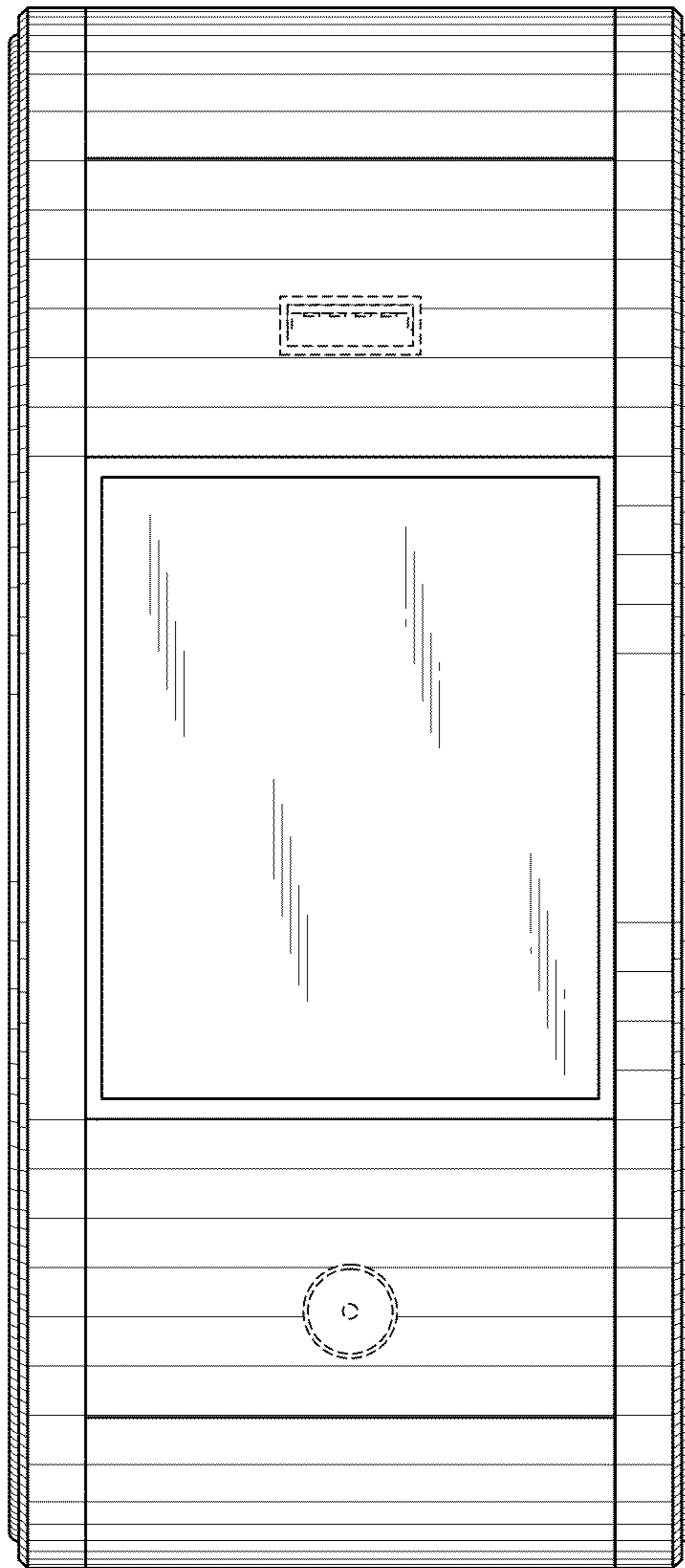


FIG. 4

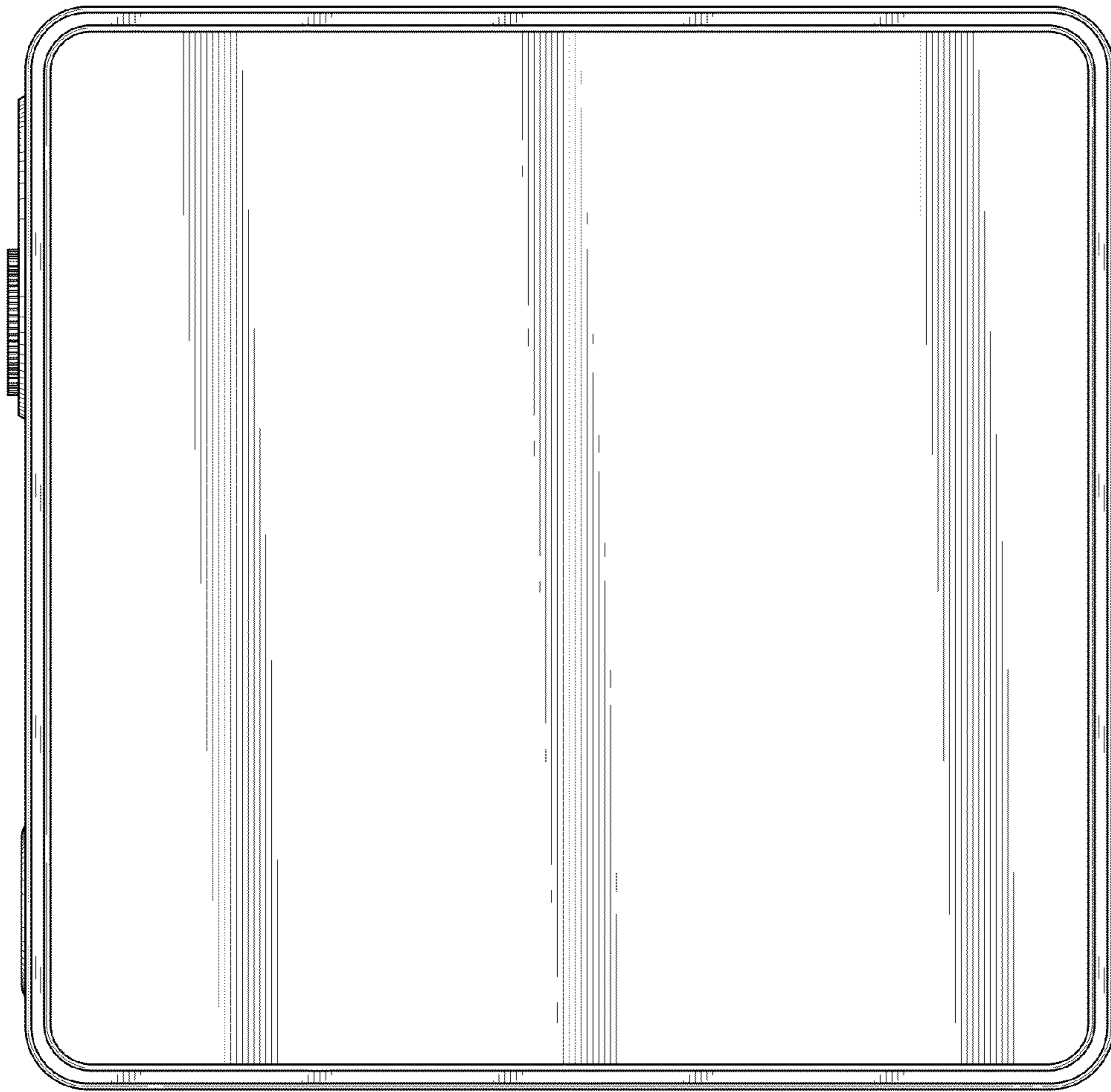


FIG. 5

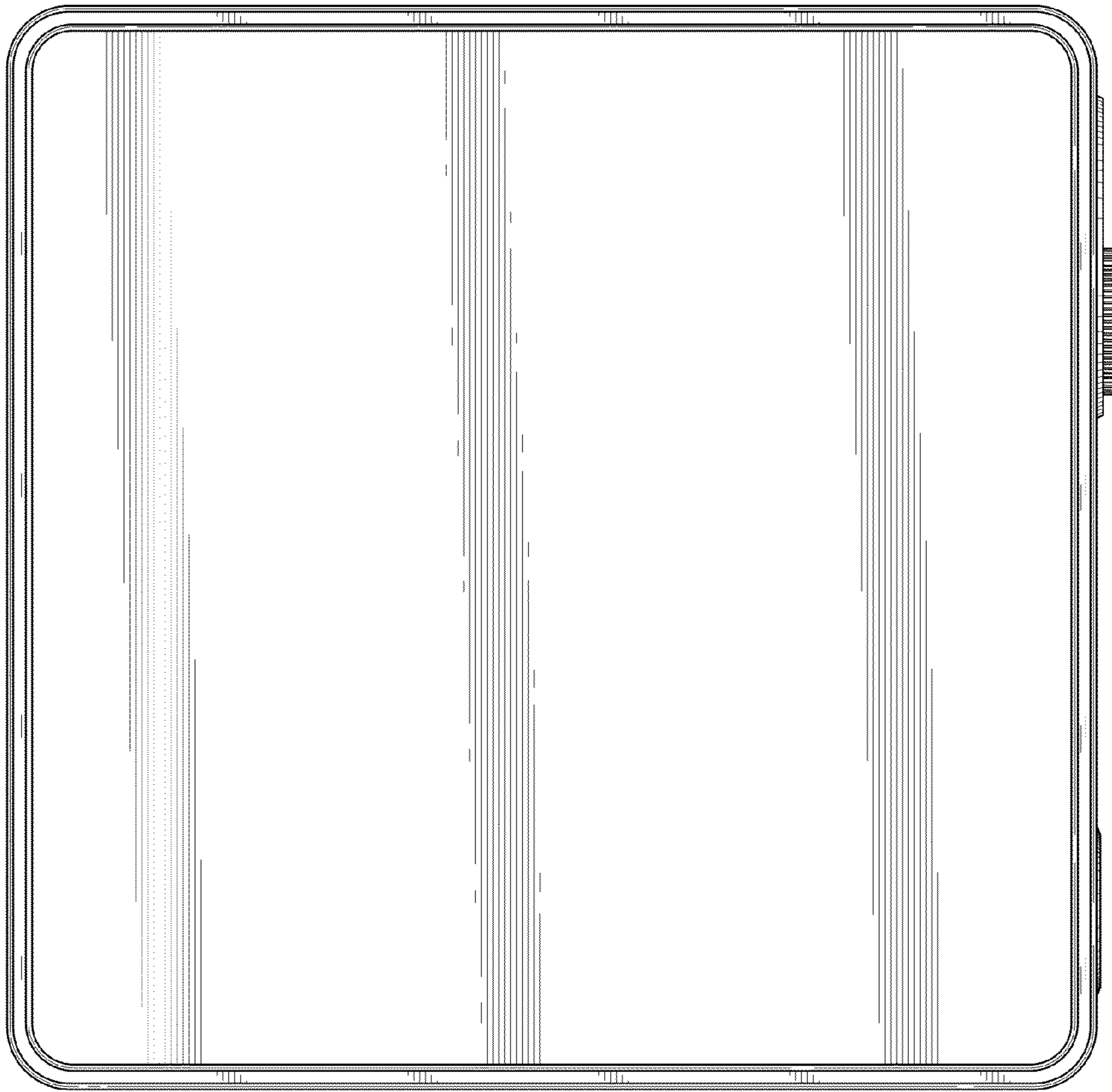


FIG. 6

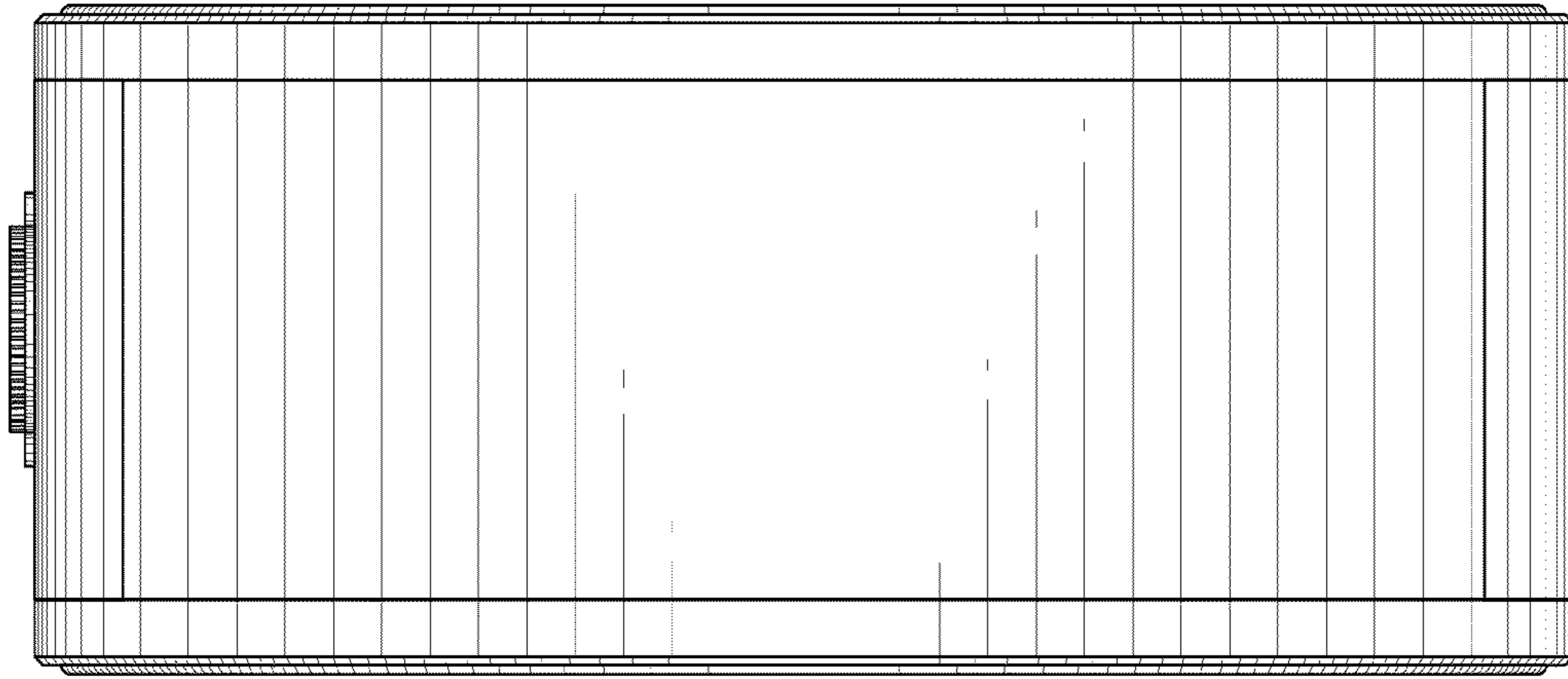


FIG. 7

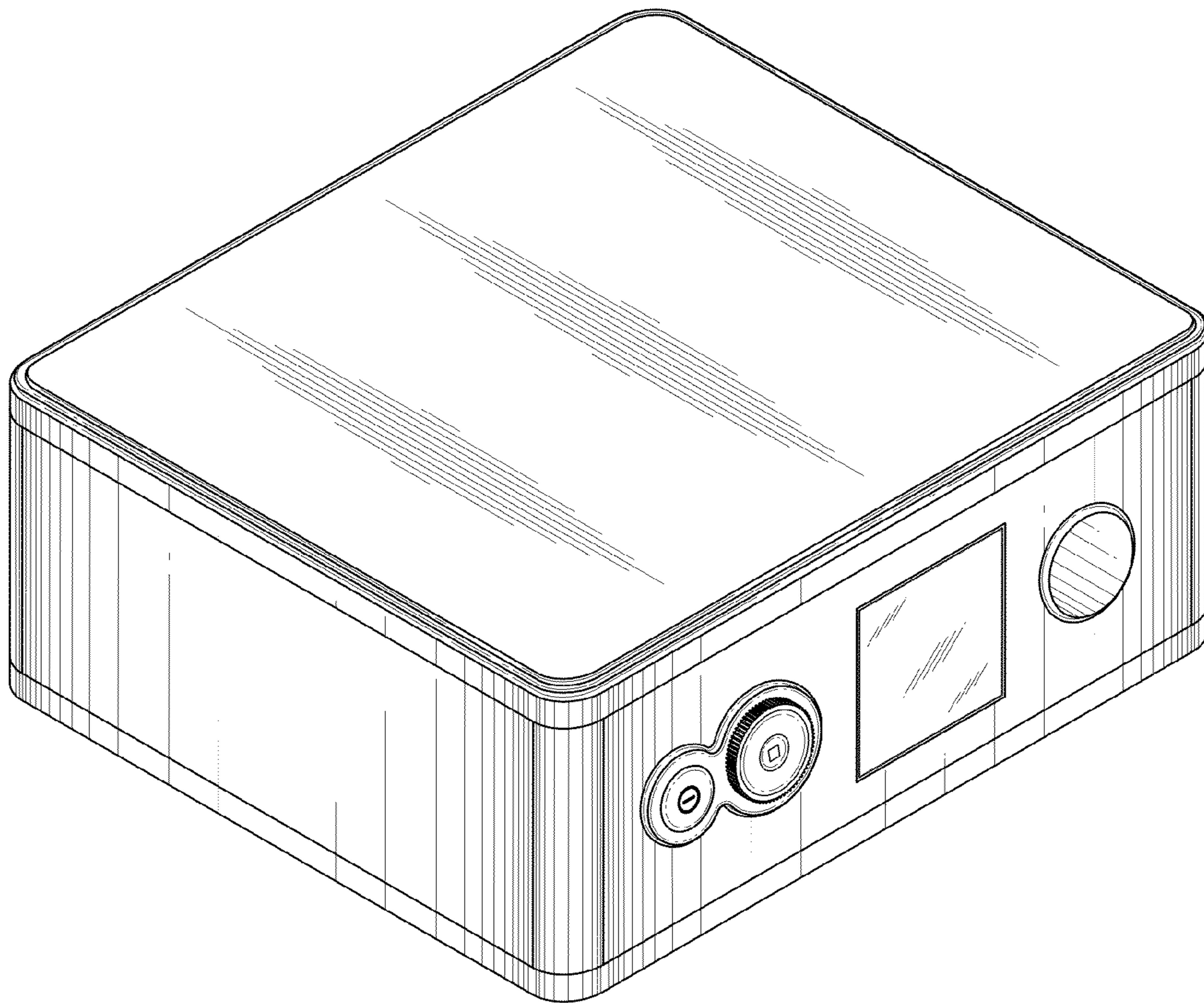


FIG. 8