



US00D679798S

(12) **United States Design Patent**
Ying et al.

(10) **Patent No.:** **US D679,798 S**

(45) **Date of Patent:** **** Apr. 9, 2013**

(54) **FOLDING BLADELESS FAN**

OTHER PUBLICATIONS

(76) Inventors: **Hui Ying**, Yongkang (CN); **Dezheng Li**, Shaoguan Guangdong (CN)

Bladeless Fan—12" Folding Wall-mount or Table Top by Equinox, [reviewed Nov. 17, 2012], [site visited Jan. 22, 2013]. Available from Internet, <URL: http://www.amazon.com/Bladeless-Fan-Wall-mount-Adjustable-Multispeed/dp/B008CVETUQ/ref=sr_1_1?ie=UTF8&qid=1358986747&sr=8-1

(**) Term: **14 Years**

&keywords=bladeless+fan+12+%22+folding+wall+mount>.* Bladeless Fan by JetStream, [uploaded Aug. 27, 2012], [site visited Jan. 22, 2013]. Available from Internet, <URL: http://www.amazon.com/Bladeless-fan-by-JetStream-IL82712LS/dp/B0092PJOMY/ref=sr_1_2?s=home-garden&ie=UTF8&qid=1358986789&sr=1-2&keywords=bladeless+fan+by+jetstream

(21) Appl. No.: **29/422,925**

EdenPURE Comfort Air, [site visited Jan. 22, 2013]. Available from Internet, <URL: <http://www.edenpure.com/edenpure-comfort-air-bladeless-fan.html>>.*

(22) Filed: **May 25, 2012**

(30) **Foreign Application Priority Data**

Nov. 25, 2011 (CN) 2011 3 0439092

(51) **LOC (9) Cl.** **D23-04**

(52) **U.S. Cl.** **D23/413**

(58) **Field of Classification Search** D23/381–383, D23/370–379, 385–388, 393, 394, 399, 411–414; 454/186, 228–253; 52/302.1; 417/423.1, 417/423.14; 415/182.1, 200, 90; 416/244 R, 416/246, 247 R; D6/309; D21/430, 436, D21/442, 447, 450, 453, 458
See application file for complete search history.

* cited by examiner

Primary Examiner — Robert M Spear
Assistant Examiner — Janice Hallmark

(57) **CLAIM**

The ornamental design for a folding bladeless fan, as shown and described.

(56) **References Cited**

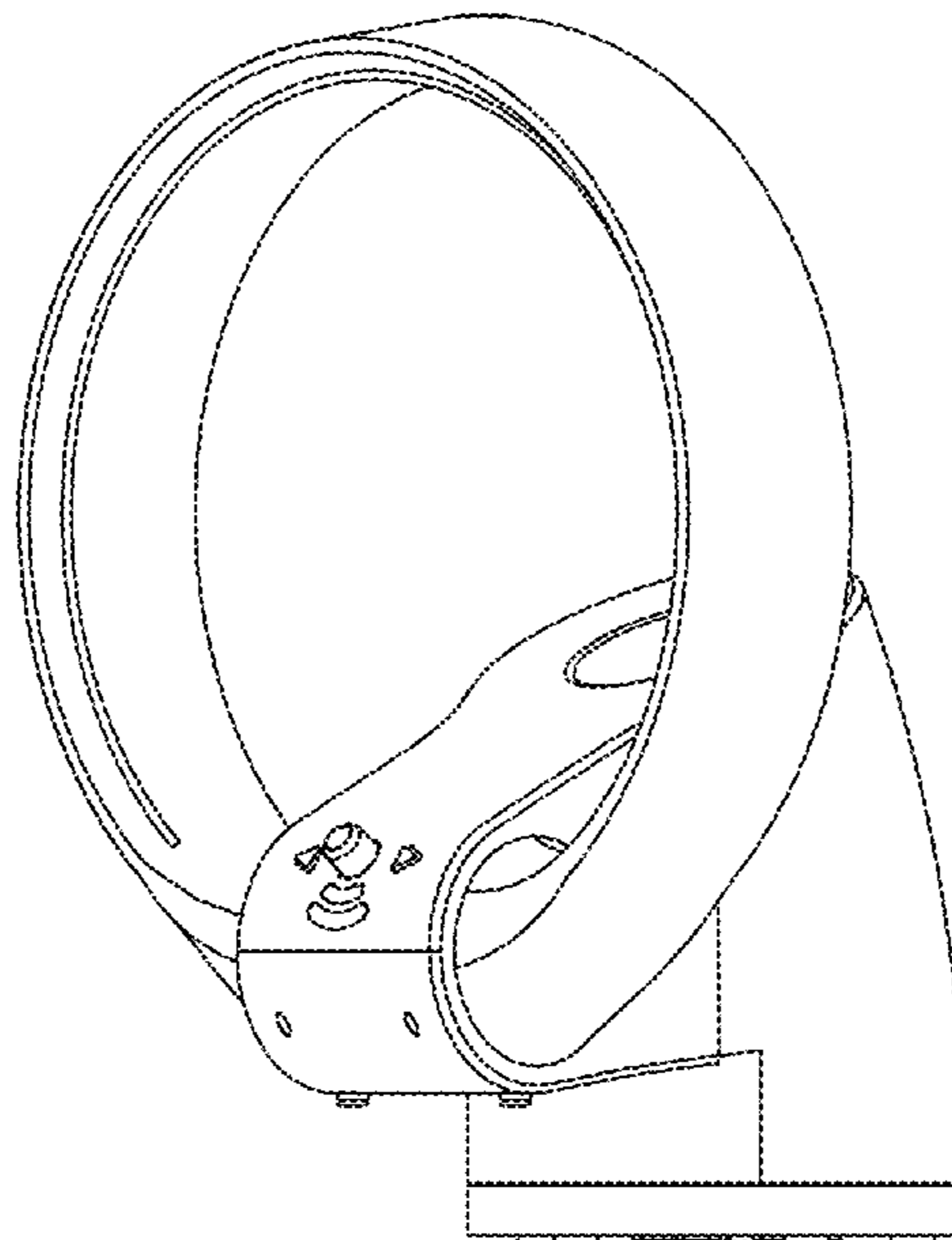
DESCRIPTION

U.S. PATENT DOCUMENTS

D206,973	S	*	2/1967	De Lisio	D23/370
D602,143	S	*	10/2009	Gammack et al.	D23/370
D605,748	S	*	12/2009	Gammack et al.	D23/370
D638,114	S	*	5/2011	Li et al.	D23/370
D643,098	S	*	8/2011	Wallace et al.	D23/342
D672,024	S	*	12/2012	Fitton et al.	D23/370
2009/0060711	A1	*	3/2009	Gammack et al.	415/90
2010/0150699	A1	*	6/2010	Nicolas et al.	415/90
2010/0226750	A1	*	9/2010	Gammack	415/90
2012/0093629	A1	*	4/2012	Fitton et al.	415/90

FIG. 1 is a perspective view of the folding bladeless fan showing my new design;
FIG. 2 is the front plan view;
FIG. 3 is a back plan view;
FIG. 4 is a left plan view;
FIG. 5 is a right plan view;
FIG. 6 is a downward plan view; and,
FIG. 7 is an upward plan view.

1 Claim, 3 Drawing Sheets



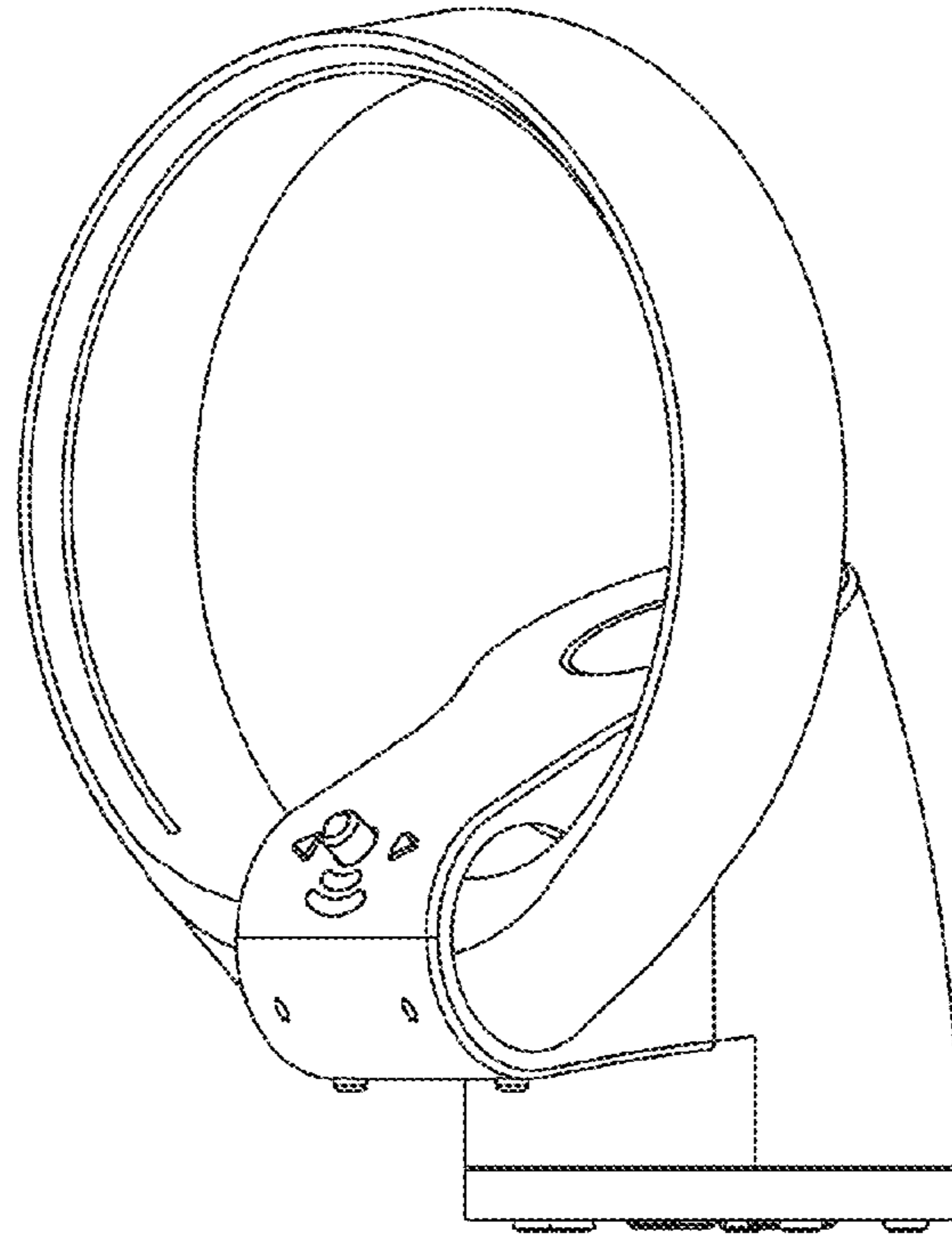


Fig. 1

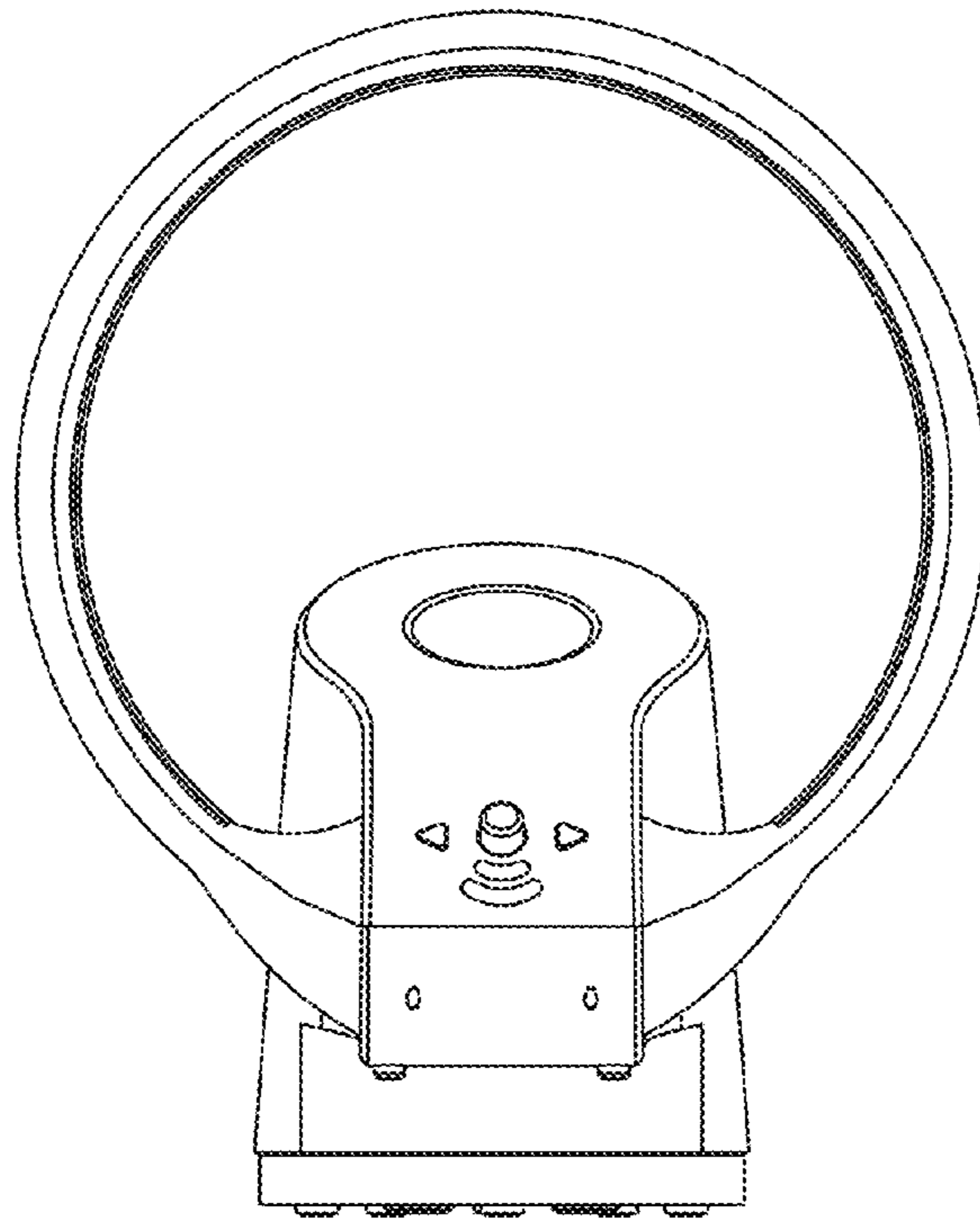


Fig. 2

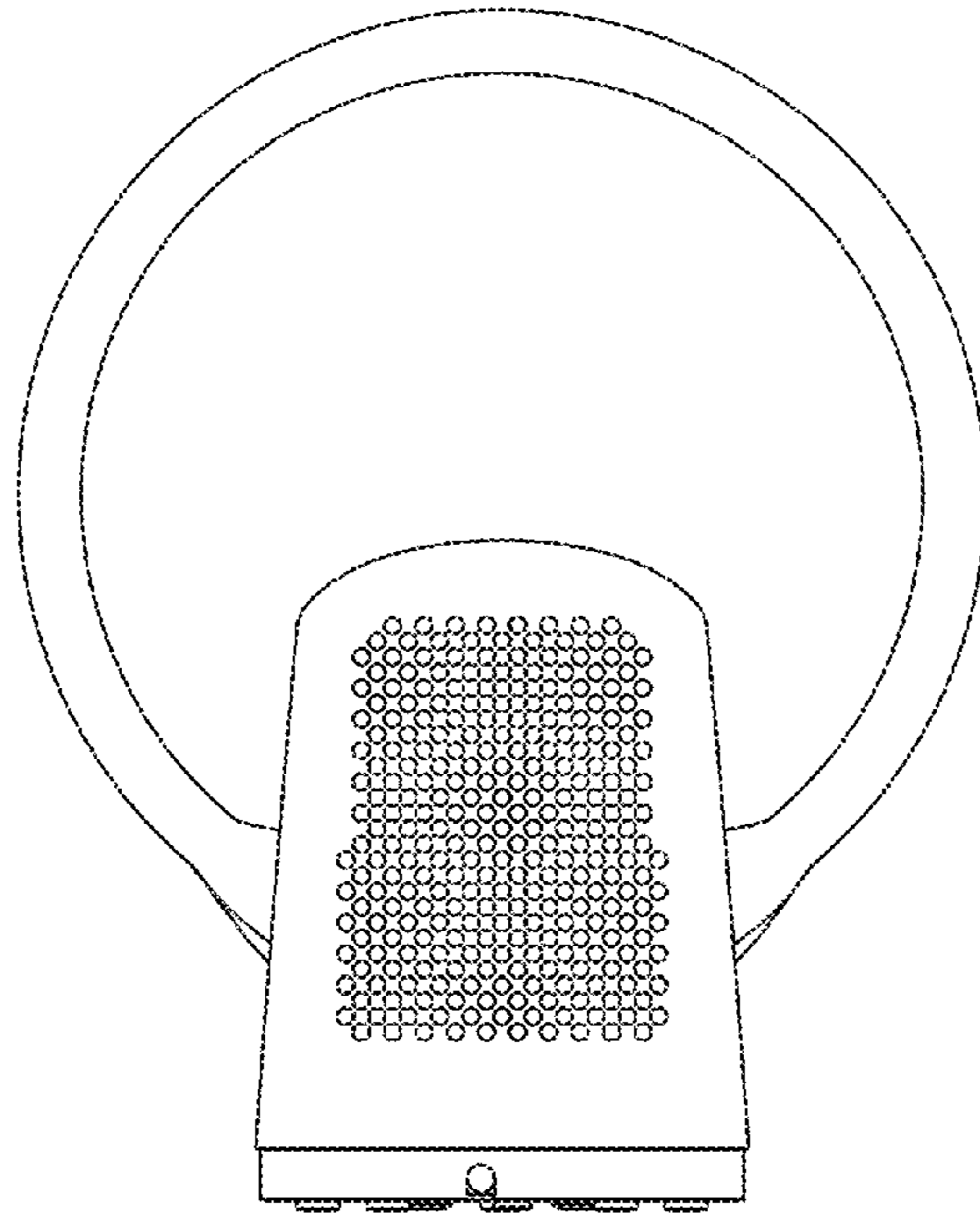


Fig.3

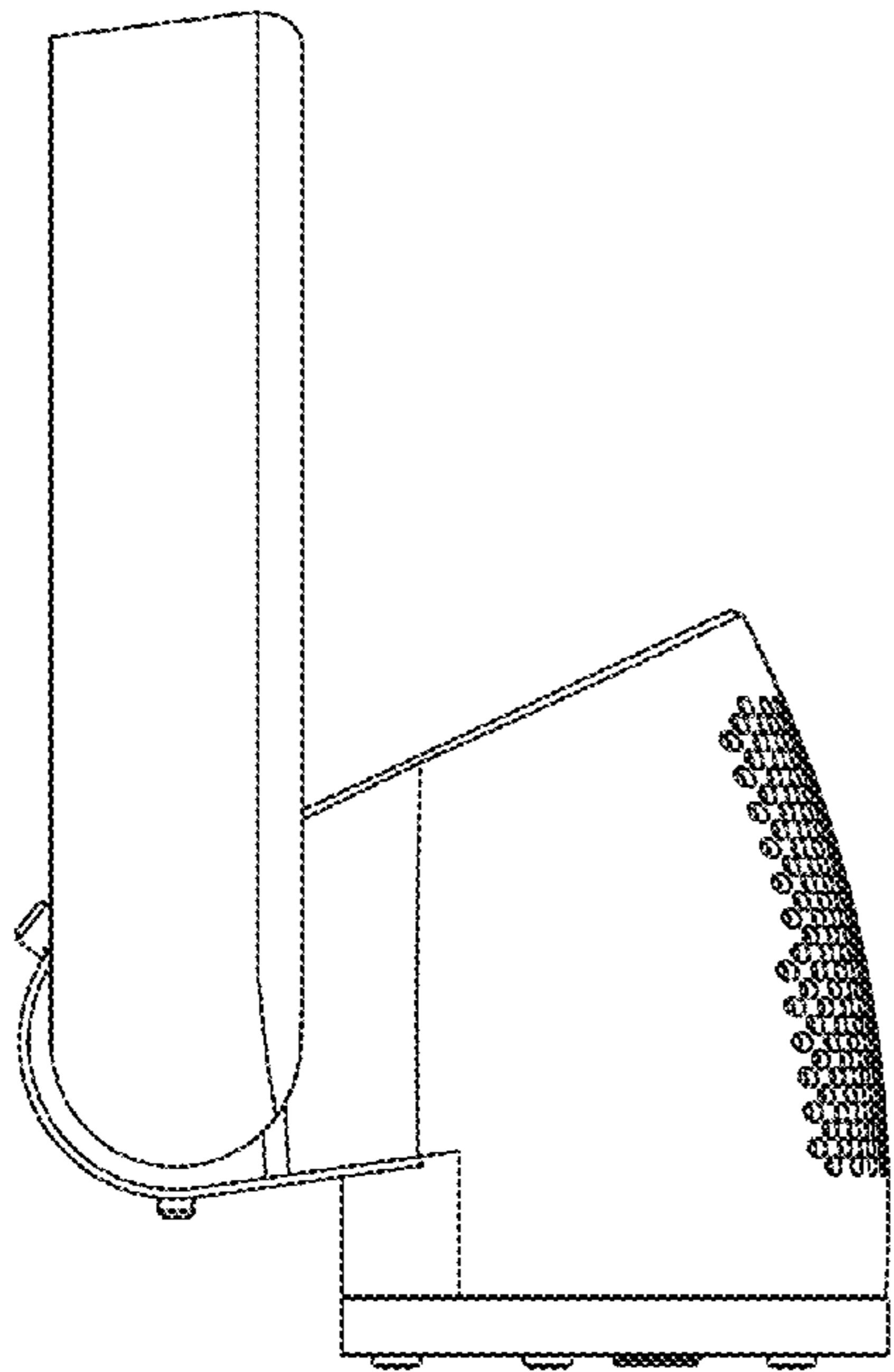


Fig.5

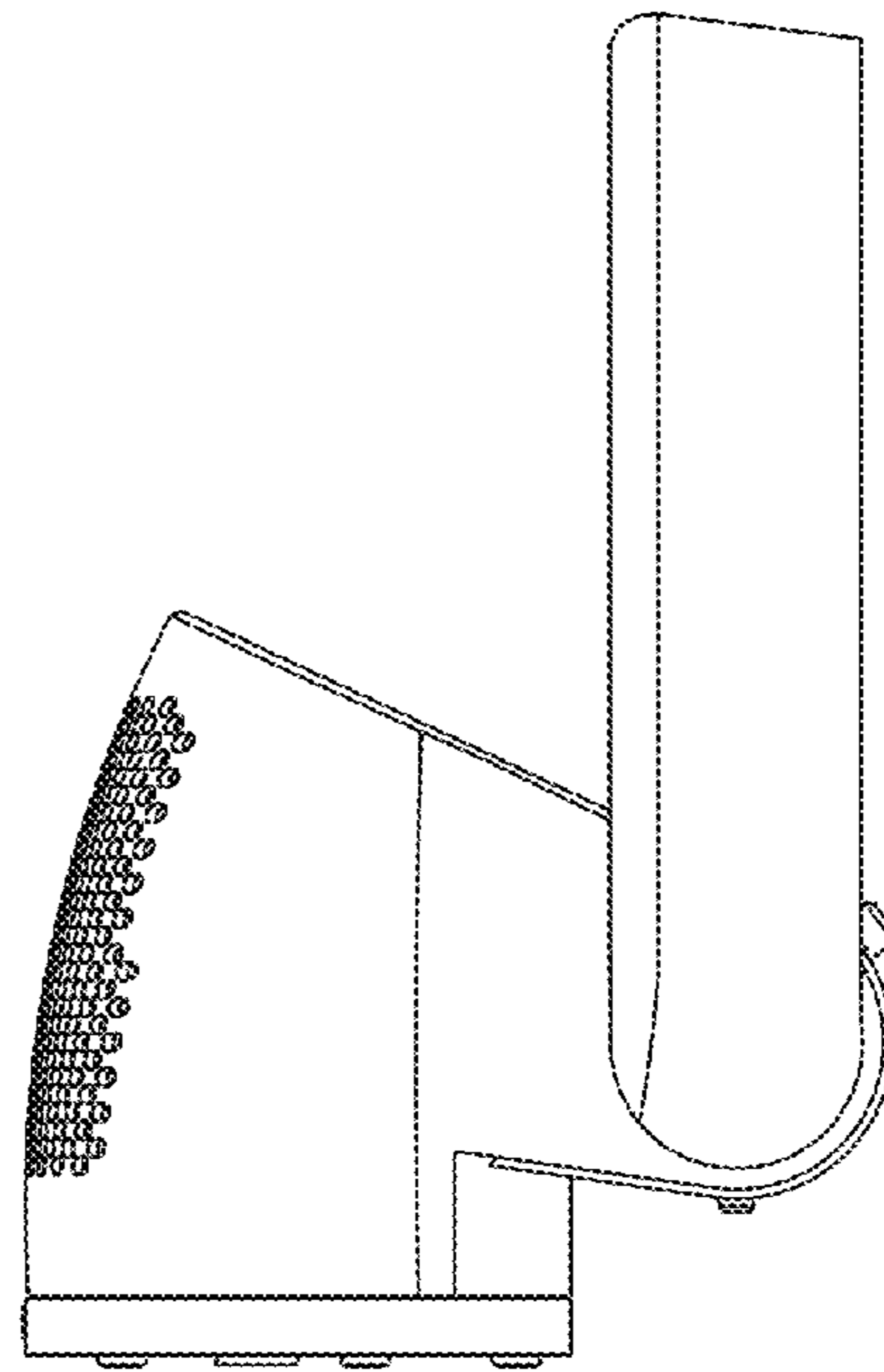


Fig.4

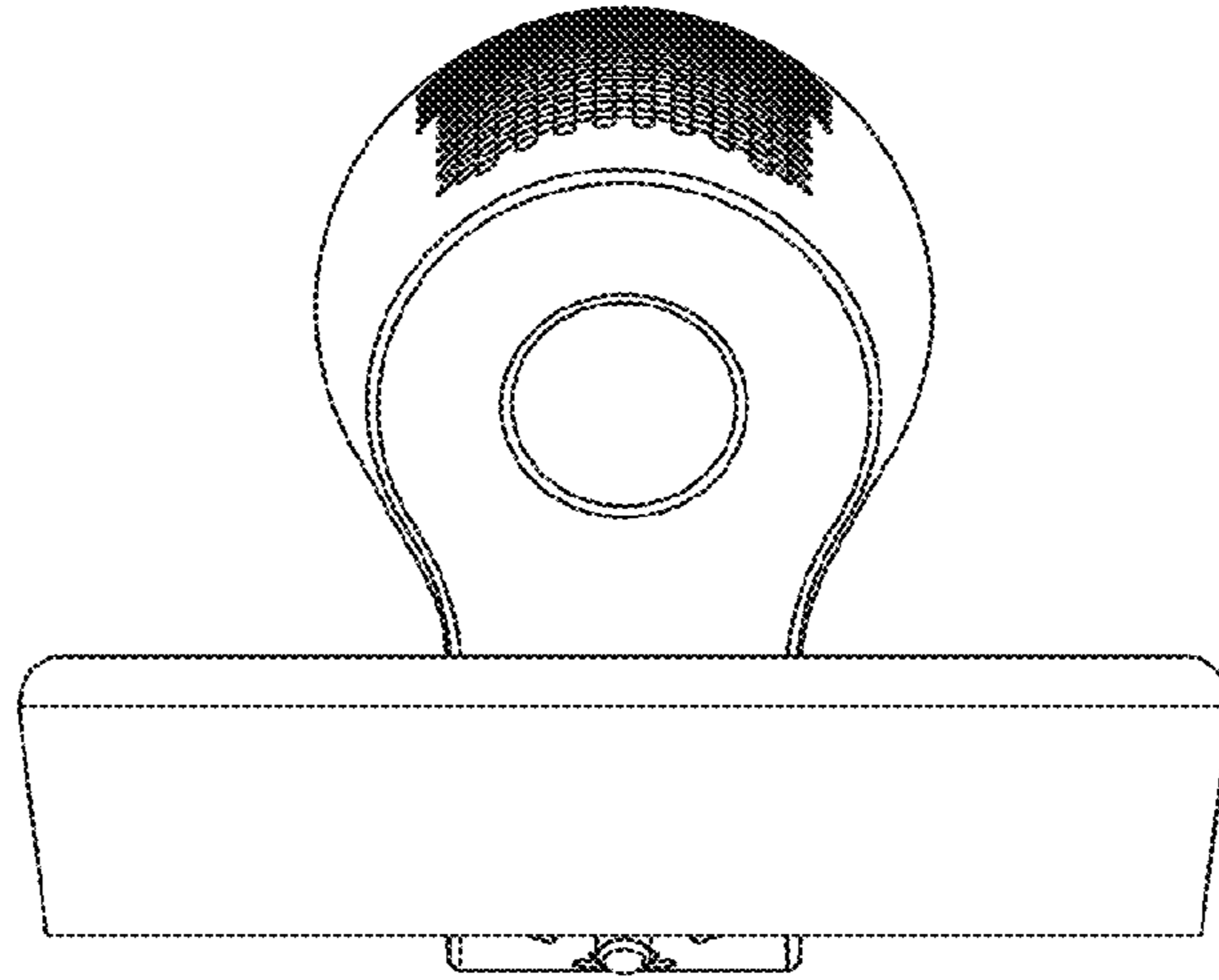


Fig.6

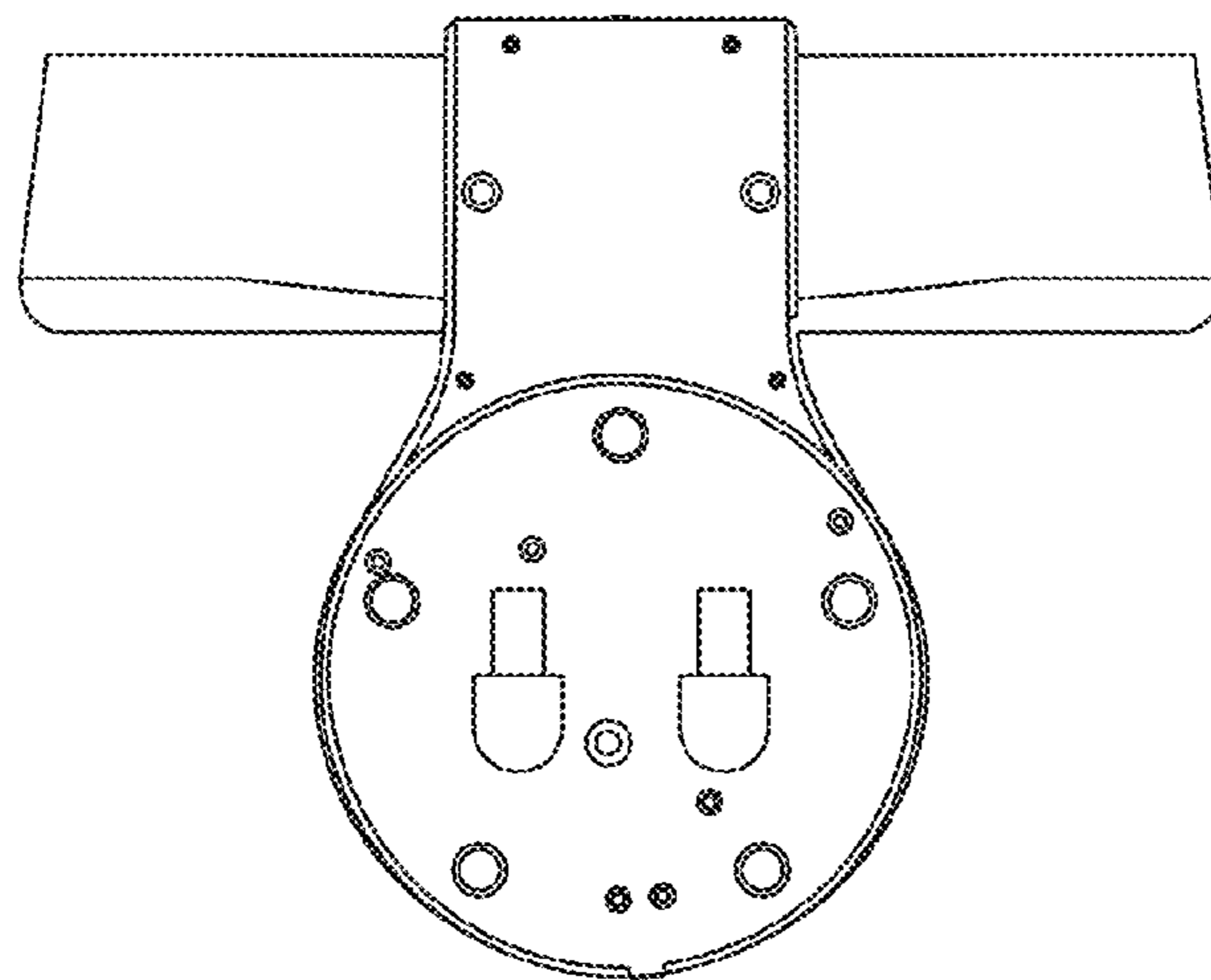


Fig.7