



US00D679797S

(12) **United States Design Patent**
Chen

(10) **Patent No.:** **US D679,797 S**

(45) **Date of Patent:** **** Apr. 9, 2013**

(54) **CEILING FAN WITH LIGHTS**

(76) Inventor: **Chia-Teh Chen**, Taipei (TW)

(**) Term: **14 Years**

(21) Appl. No.: **29/381,841**

(22) Filed: **Dec. 23, 2010**

(51) **LOC (9) Cl.** **23-04**

(52) **U.S. Cl.** **D23/411; D26/59**

(58) **Field of Classification Search** D13/179;
D23/370-394, 411-414; D26/51, 59, 72,
D26/81-86; 34/169; 52/302.1, 302.7; 55/DIG. 36;
123/41.7; 126/58, 60, 61, 64-66, 84, 299 D-299 F,
126/299 R, 300, 301, 312, 531; 138/118,
138/121, 172, 173, 177; 165/54, 59; 285/133.6;
392/364; 415/126, 127, 213.1, 214.1; 416/5,
416/204 R, 210 R, 234, 237, 244 R, 247 R;
454/41, 42, 233, 236, 250-253, 275-277,
454/284, 309, 367, 368

See application file for complete search history.

(56) **References Cited**

U.S. PATENT DOCUMENTS

D450,831 S	*	11/2001	Hsieh	D23/377
D486,215 S	*	2/2004	Hsieh	D23/377
D531,297 S	*	10/2006	Ertze	D23/377
D533,937 S	*	12/2006	Pan	D23/411

D556,884 S	*	12/2007	Flores	D23/377
D594,543 S	*	6/2009	Pan	D23/377
D595,404 S	*	6/2009	Pan	D23/411
D612,089 S	*	3/2010	Chen	D26/81
D626,213 S	*	10/2010	Shurtleff	D23/411
D627,046 S	*	11/2010	Wang	D23/377
D627,052 S	*	11/2010	Pan	D23/411
D637,708 S	*	5/2011	Pickett	D23/411

* cited by examiner

Primary Examiner — Garth Rademaker

(74) *Attorney, Agent, or Firm* — Rosenberg, Klein & Lee

(57) **CLAIM**

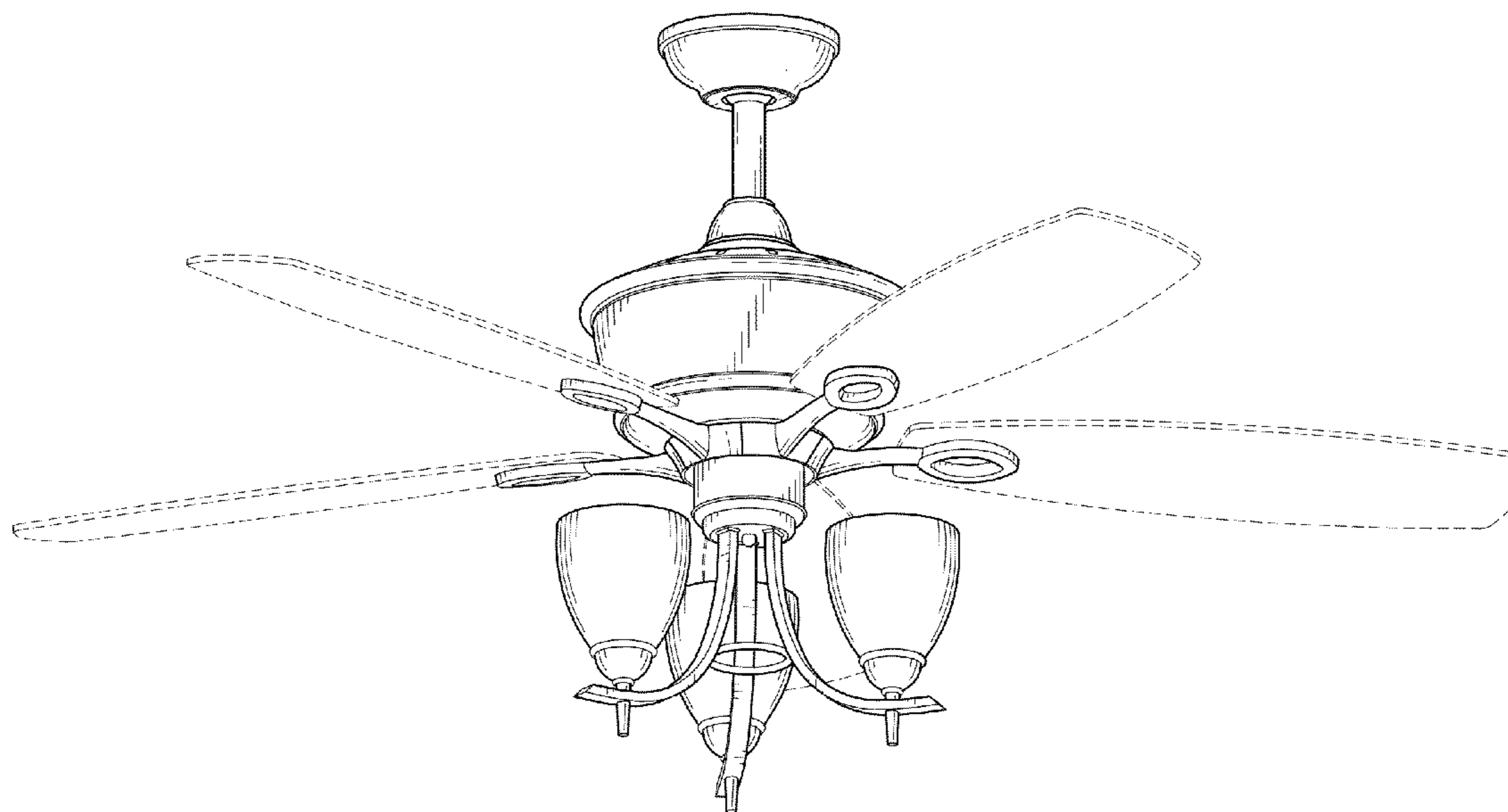
The ornamental design for a ceiling fan with lights, as shown and described.

DESCRIPTION

FIG. 1 is a perspective view of a ceiling fan with lights showing my design;
FIG. 2 is a front view thereof;
FIG. 3 is a rear view thereof;
FIG. 4 is a left side view thereof;
FIG. 5 is a right side view thereof;
FIG. 6 is a top view thereof; and,
FIG. 7 is a bottom view thereof.

The broken lines depict portions of the ceiling fan with lights which form no part of the claimed design.

1 Claim, 7 Drawing Sheets



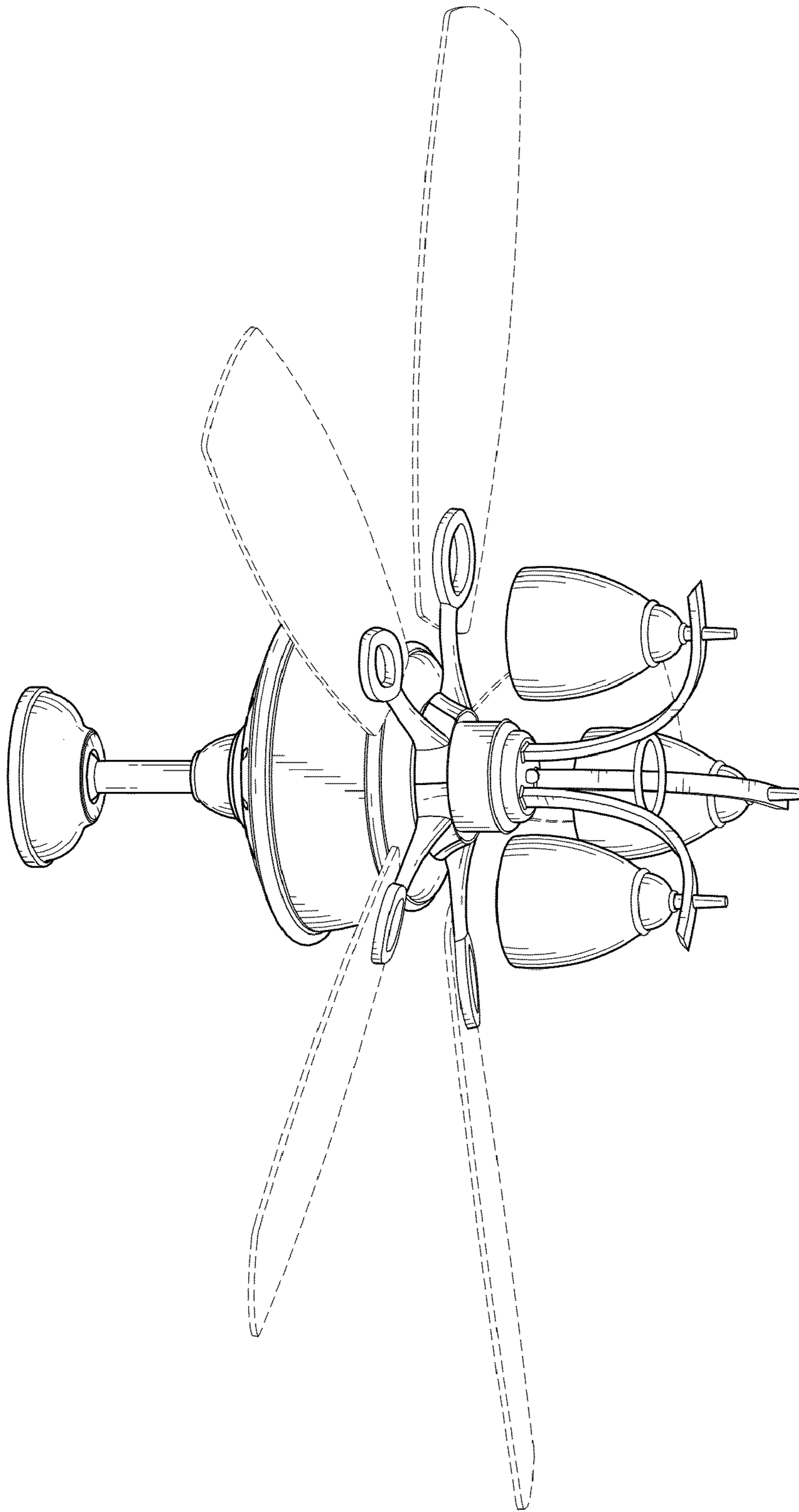


FIG. 1

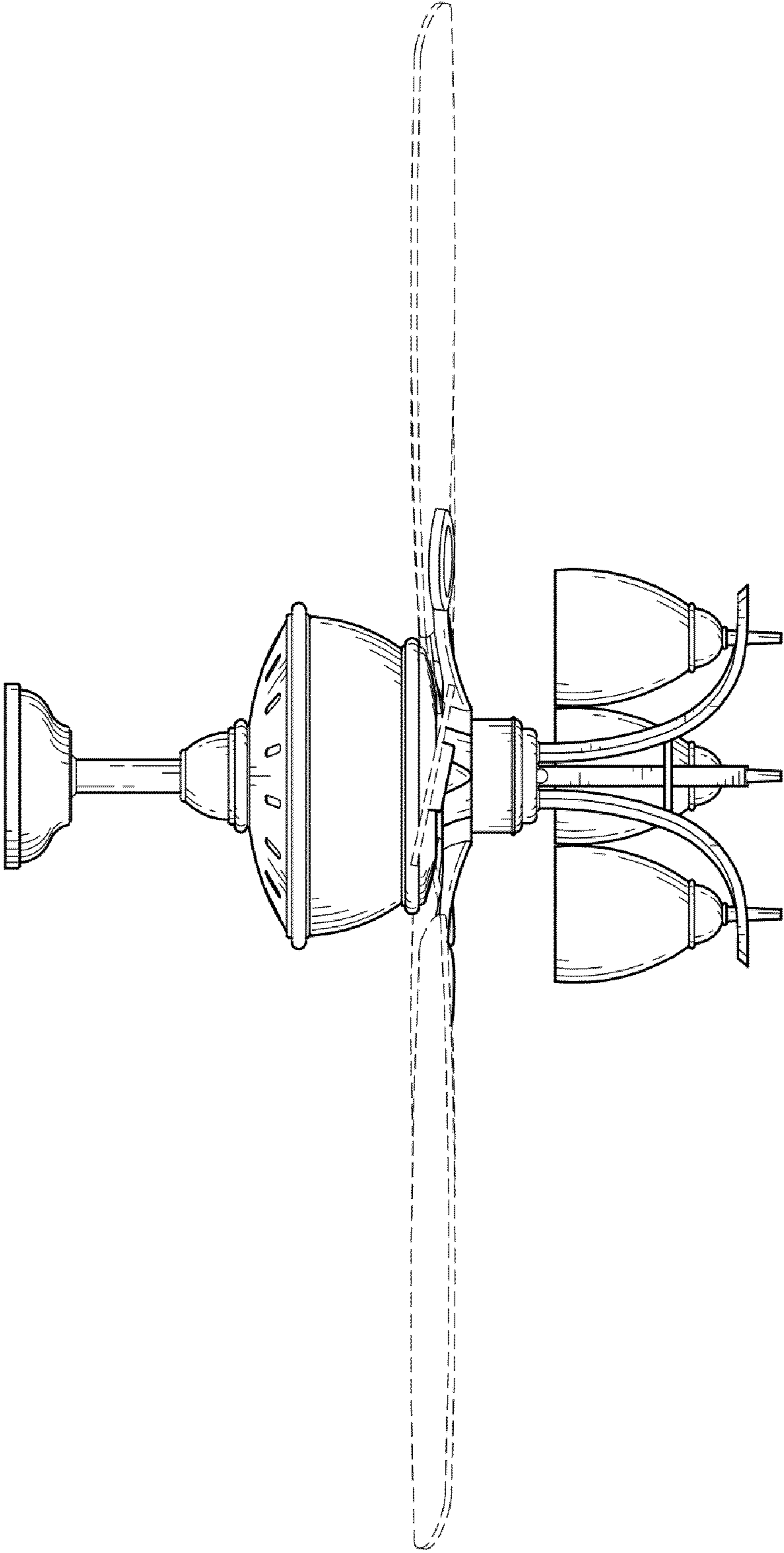


FIG. 2

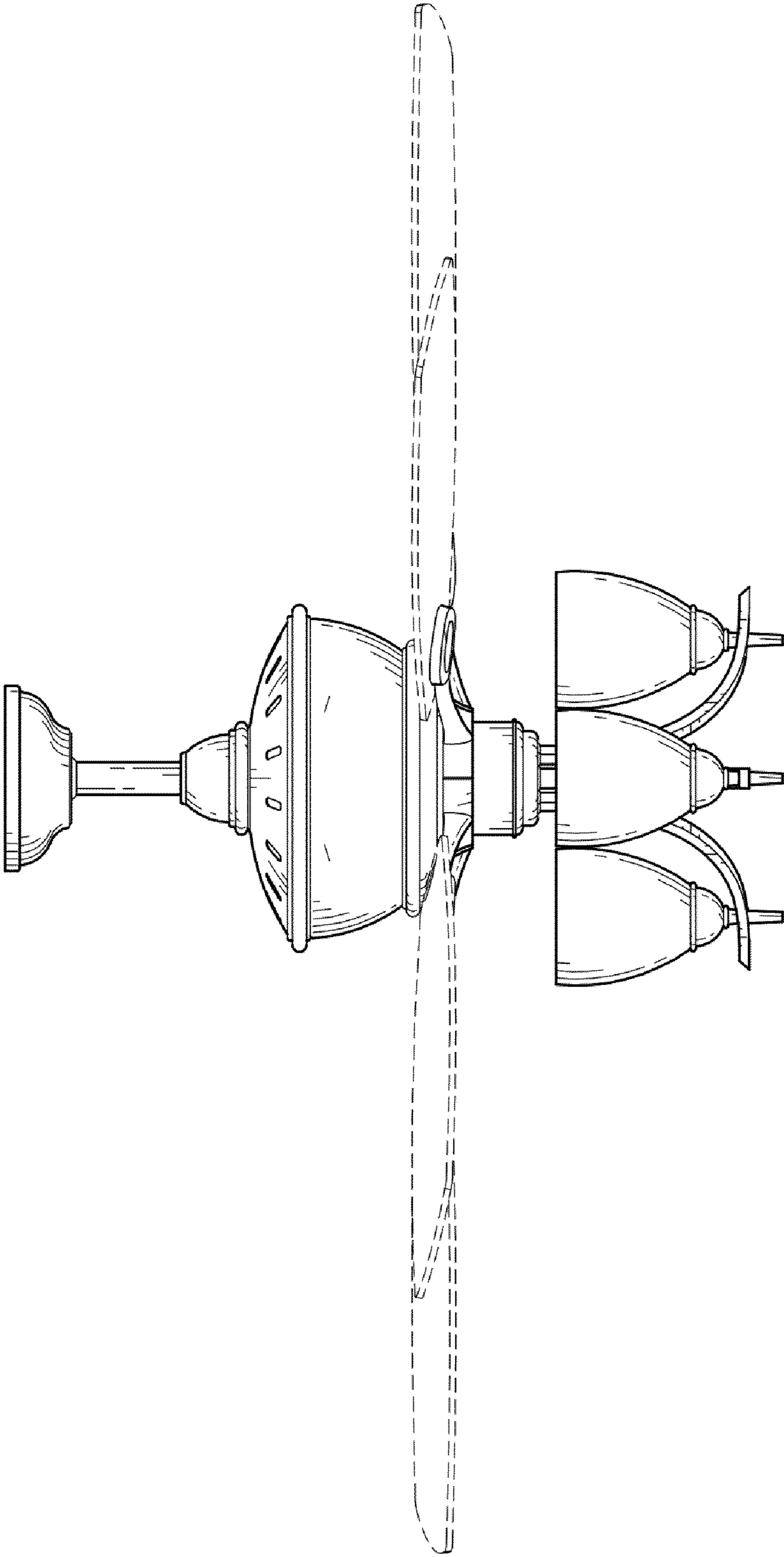


FIG. 3

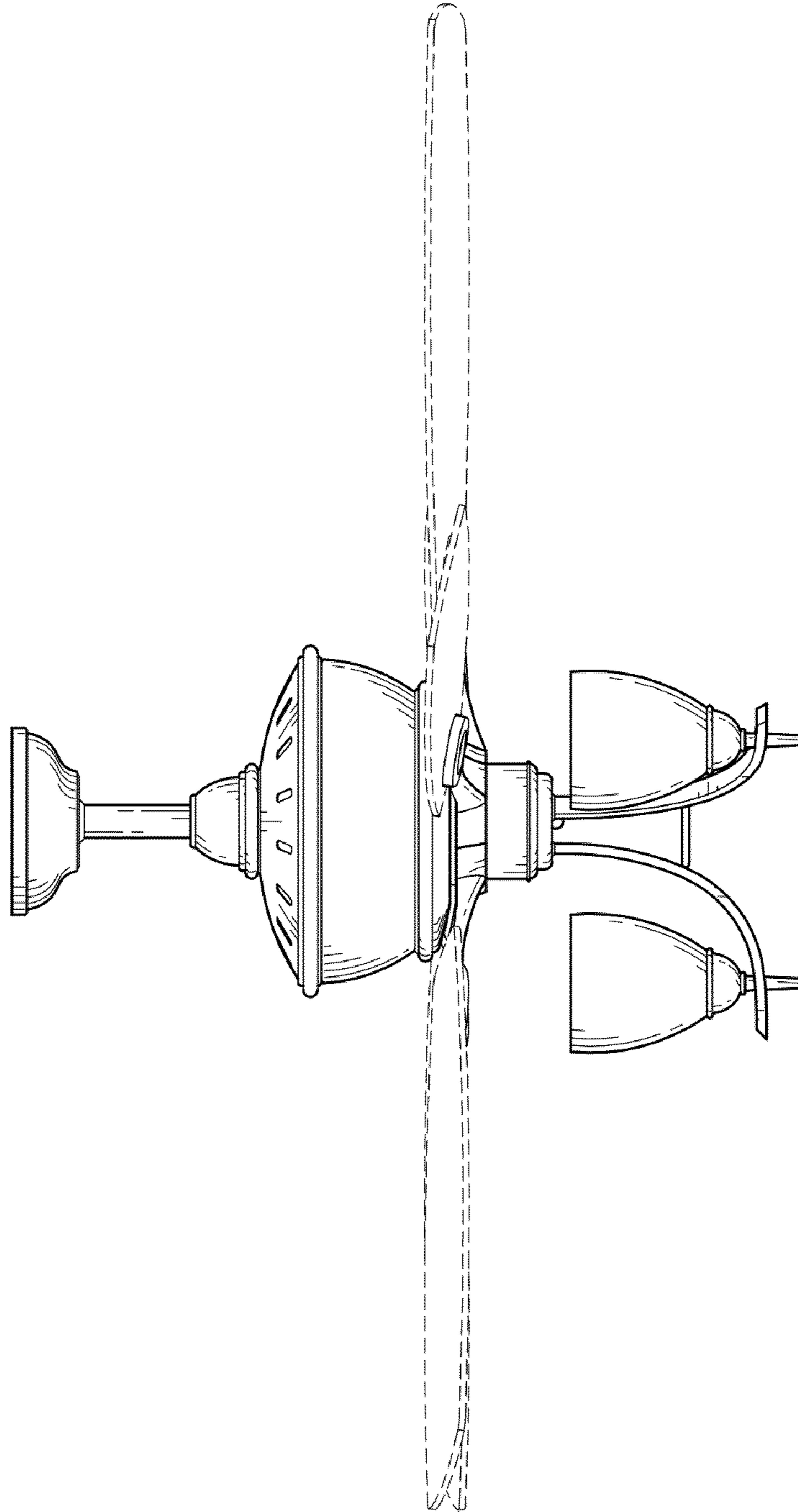


FIG. 4

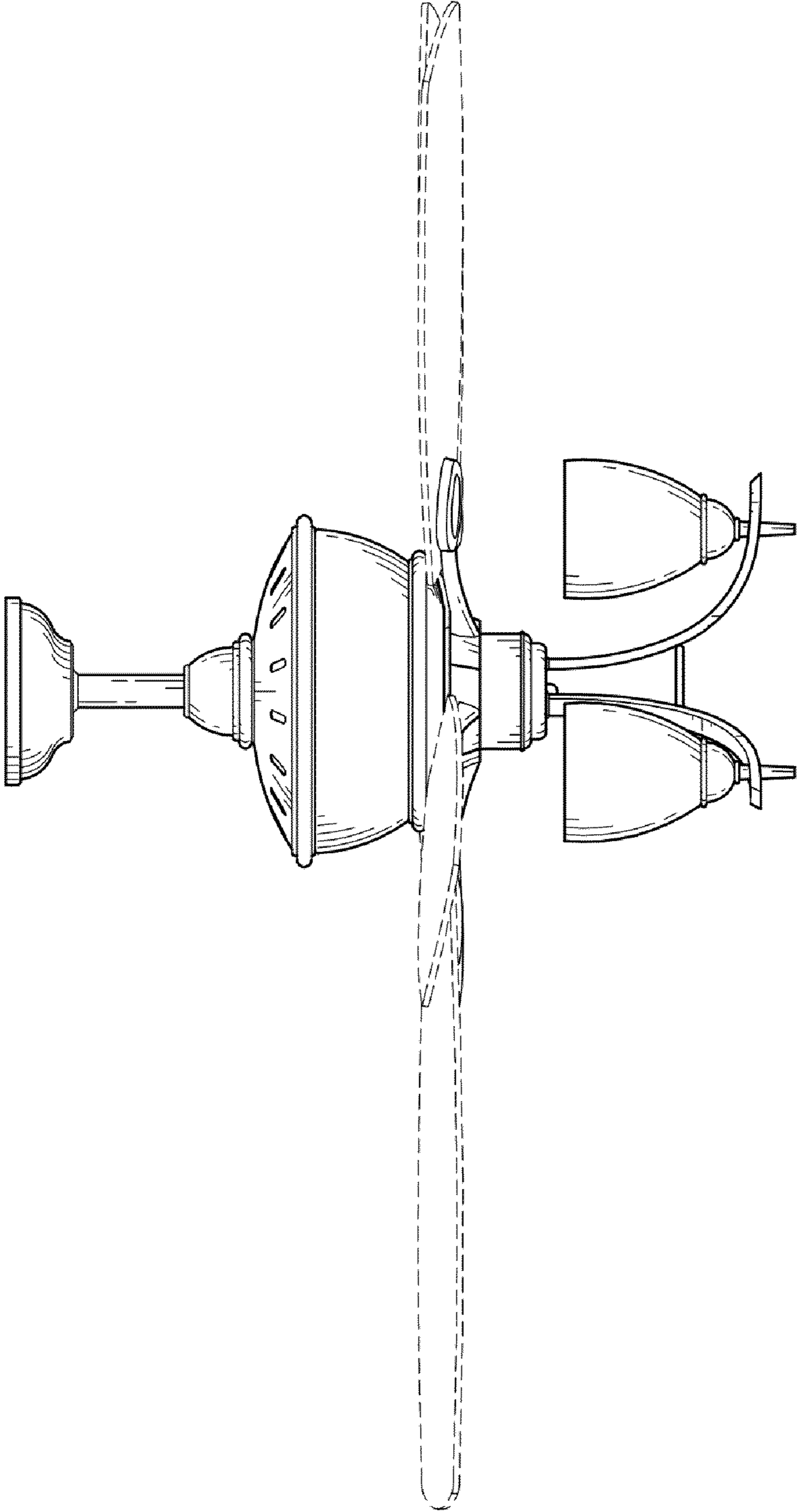


FIG. 5

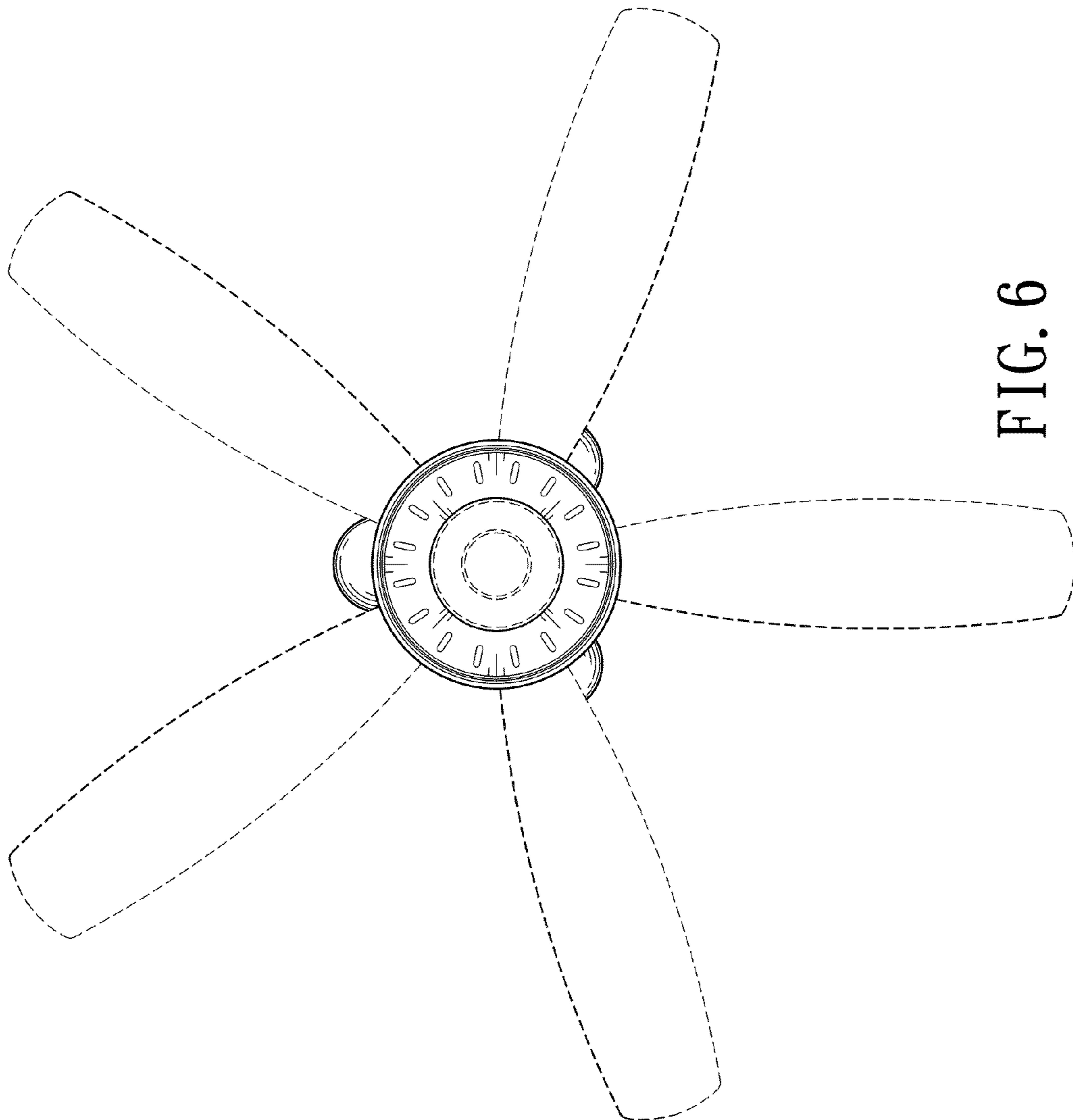


FIG. 6

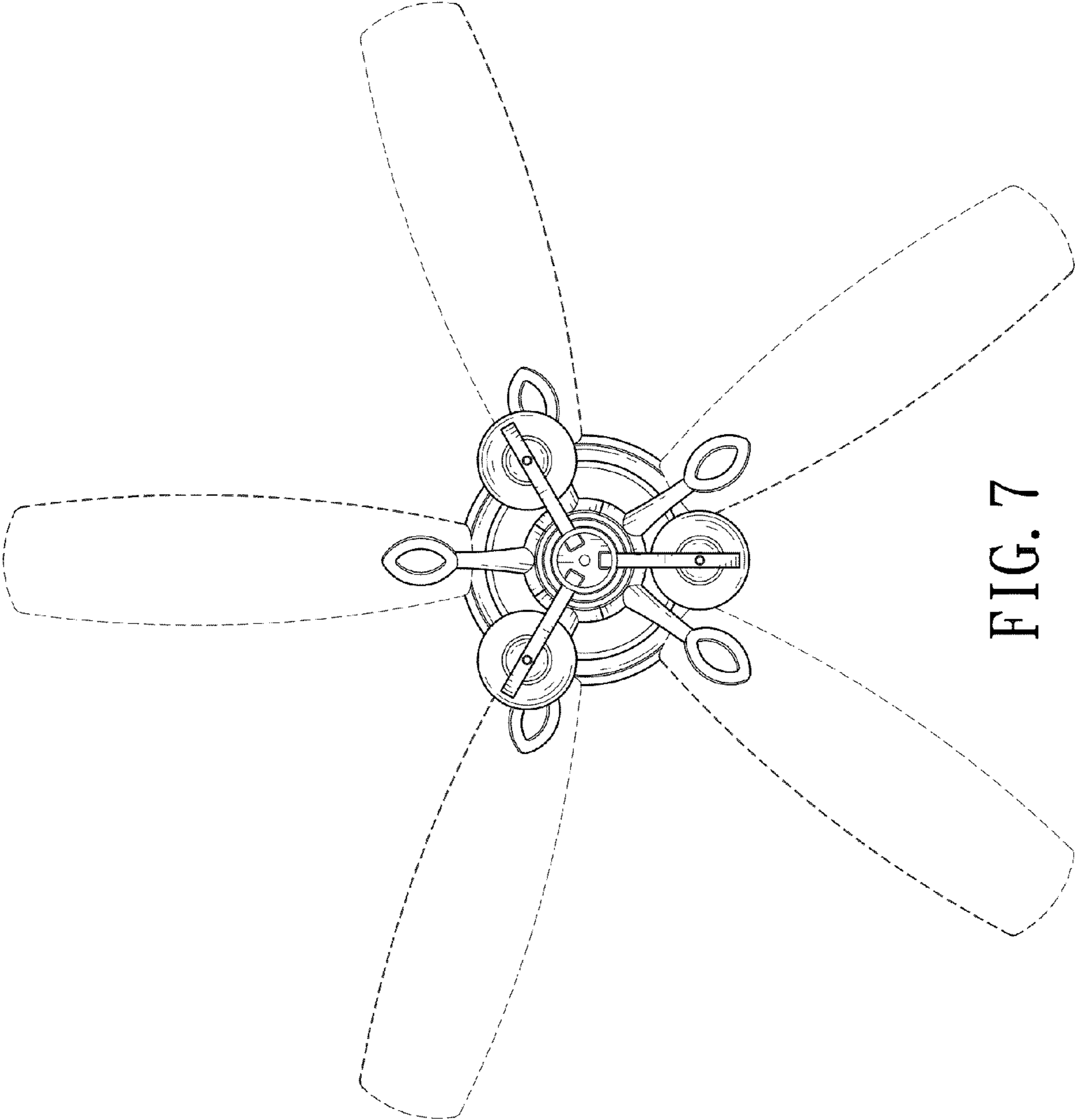


FIG. 7