



US00D679795S

(12) **United States Design Patent**  
**Allen et al.**

(10) **Patent No.:** **US D679,795 S**  
(45) **Date of Patent:** **\*\* Apr. 9, 2013**

- (54) **CEILING FAN BLADE**
- (75) Inventors: **Philip Allen**, Dural (AU); **Scott Ibbotson**, Dural (AU); **Liam Keene**, Dural (AU)
- (73) Assignee: **Hunter Pacific International Pty Ltd**, Dural (AU)
- (\*\*) Term: **14 Years**
- (21) Appl. No.: **29/413,701**
- (22) Filed: **Feb. 17, 2012**

|           |      |         |               |         |
|-----------|------|---------|---------------|---------|
| 6,659,721 | B1   | 12/2003 | Parker et al. |         |
| D489,447  | S    | 5/2004  | Young         |         |
| 6,884,034 | B1   | 4/2005  | Parker et al. |         |
| D510,763  | S    | 10/2005 | Da Costa      |         |
| 7,210,910 | B1   | 5/2007  | Parker et al. |         |
| D594,551  | S *  | 6/2009  | Parker et al. | D23/413 |
| D599,461  | S *  | 9/2009  | Ertze         | D23/377 |
| D607,096  | S *  | 12/2009 | Searle        | D23/377 |
| D608,044  | S *  | 1/2010  | Pickett       | D26/89  |
| 7,665,967 | B1 * | 2/2010  | Parker et al. | 416/62  |
| 7,850,513 | B1   | 12/2010 | Parker et al. |         |
| 7,927,071 | B2 * | 4/2011  | Parker et al. | 416/62  |
| D642,674  | S    | 8/2011  | Oleson        |         |
| D660,953  | S *  | 5/2012  | Allen et al.  | D23/377 |

\* cited by examiner

**Related U.S. Application Data**

- (62) Division of application No. 29/358,640, filed on Mar. 30, 2010, now Pat. No. Des. 660,953.

*Primary Examiner* — Raphael Barkai  
*Assistant Examiner* — Randall Gholson

(74) *Attorney, Agent, or Firm* — Volpe And Koenig, P.C.

(30) **Foreign Application Priority Data**

|               |      |            |
|---------------|------|------------|
| Sep. 30, 2009 | (AU) | 13750/2009 |
| Sep. 30, 2009 | (AU) | 13751/2009 |
| Sep. 30, 2009 | (AU) | 13752/2009 |
| Sep. 30, 2009 | (AU) | 13753/2009 |

(57) **CLAIM**

The ornamental design for a ceiling fan blade, as shown and described.

- (51) **LOC (9) Cl.** ..... **23-04**
- (52) **U.S. Cl.** ..... **D23/377**
- (58) **Field of Classification Search** ..... D23/377, D23/379, 385, 411, 413; 23/379, 385; 416/5  
See application file for complete search history.

**DESCRIPTION**

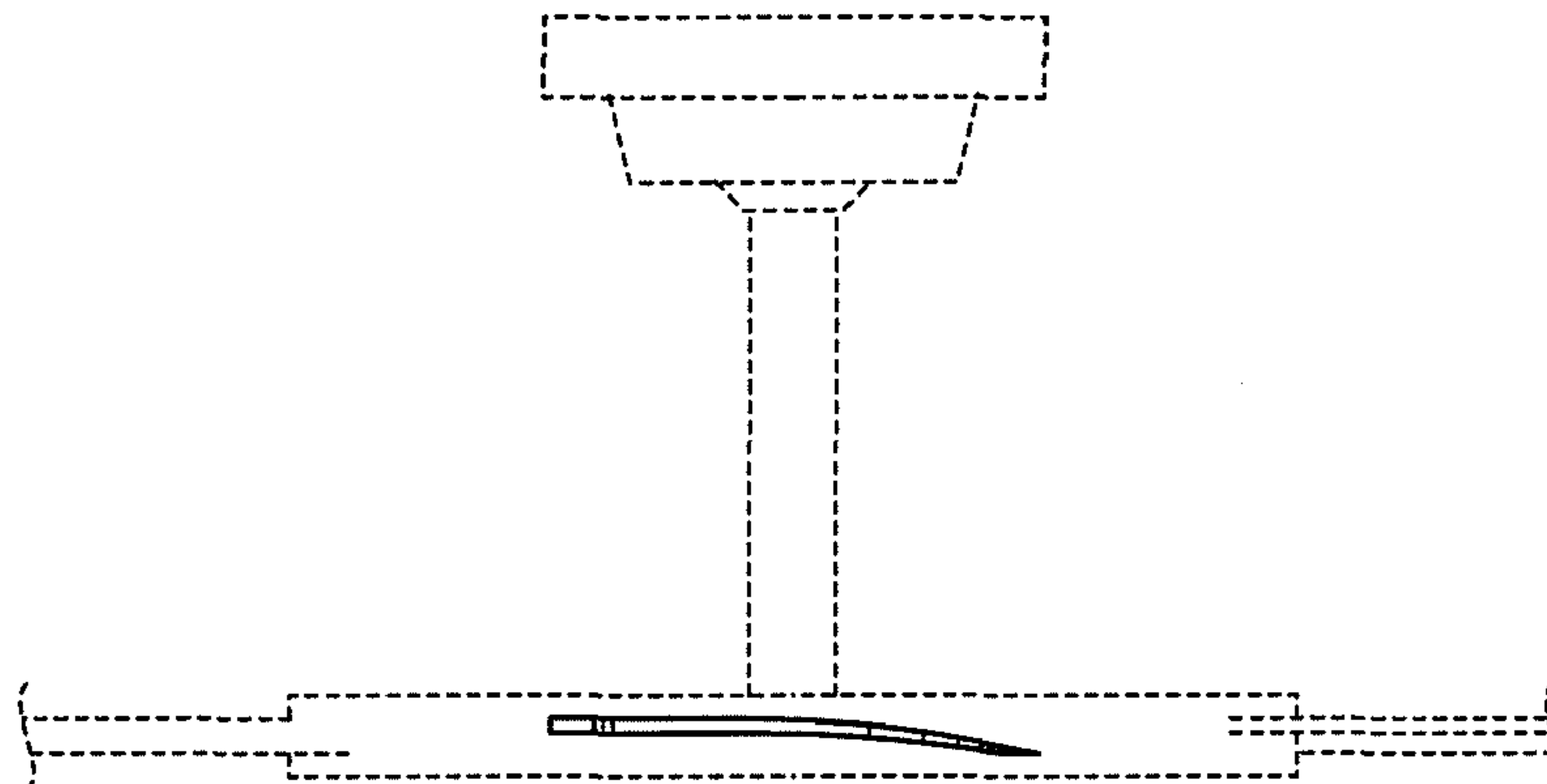
FIG. 1 is a front elevation view of a ceiling fan blade according to the present design;  
 FIG. 2 is a right side elevation view of the ceiling fan blade shown in FIG. 1;  
 FIG. 3 is a top plan view of the ceiling fan blade shown in FIG. 1;  
 FIG. 4 is a bottom plan view of the ceiling fan blade shown in FIG. 1;  
 FIG. 5 is a left side elevation view of the ceiling fan blade shown in FIG. 1;  
 FIG. 6 is a top perspective view of the ceiling fan blade shown in FIG. 1; and,  
 FIG. 7 is a bottom perspective view of the ceiling fan blade shown in FIG. 1.  
 The broken lines in the Figures are included for the purpose of illustrating environment and form no part of the claimed design.

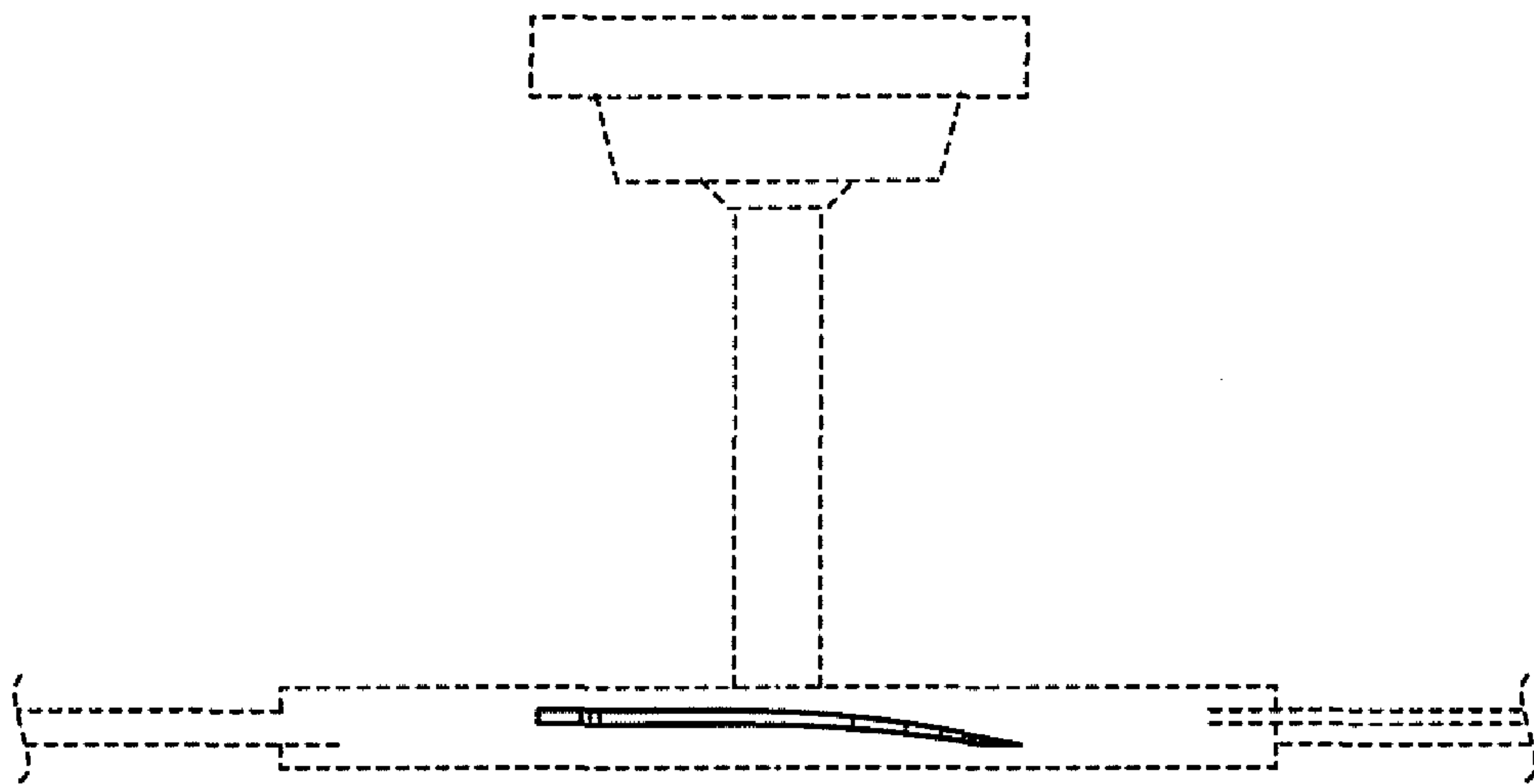
(56) **References Cited**

U.S. PATENT DOCUMENTS

|           |     |         |               |         |
|-----------|-----|---------|---------------|---------|
| D90,612   | S   | 8/1933  | Howell        |         |
| 2,255,431 | A * | 9/1941  | Marden et al. | 313/485 |
| D331,101  | S   | 11/1992 | Rezek         |         |
| D355,027  | S   | 1/1995  | Young         |         |
| D417,494  | S   | 12/1999 | Evans         |         |
| D419,660  | S * | 1/2000  | Zuege         | D23/377 |
| D424,680  | S   | 5/2000  | Wenzlick      |         |
| D433,114  | S   | 10/2000 | Liu           |         |
| D471,269  | S   | 3/2003  | Gajewski      |         |
| D476,728  | S   | 7/2003  | Gajewski      |         |
| D478,161  | S * | 8/2003  | Collmar       | D23/377 |

**1 Claim, 7 Drawing Sheets**





**FIG. 1**

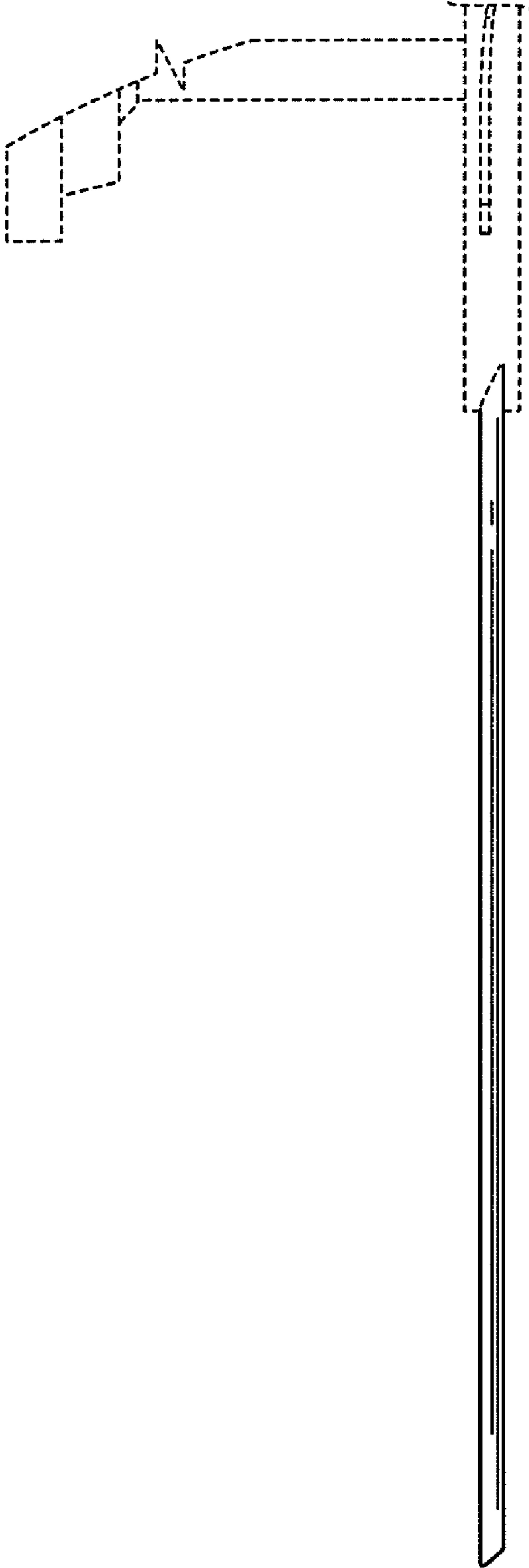
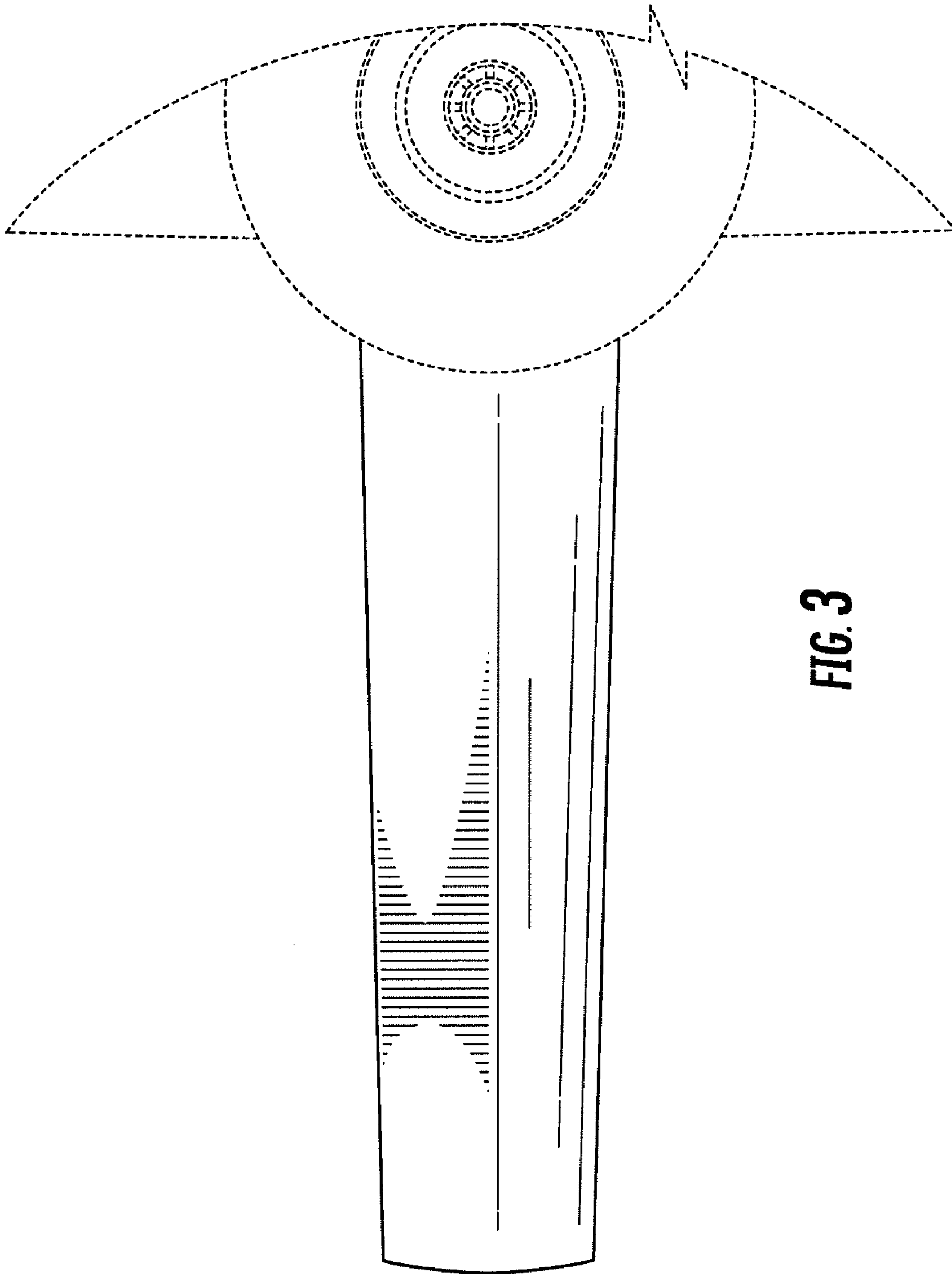
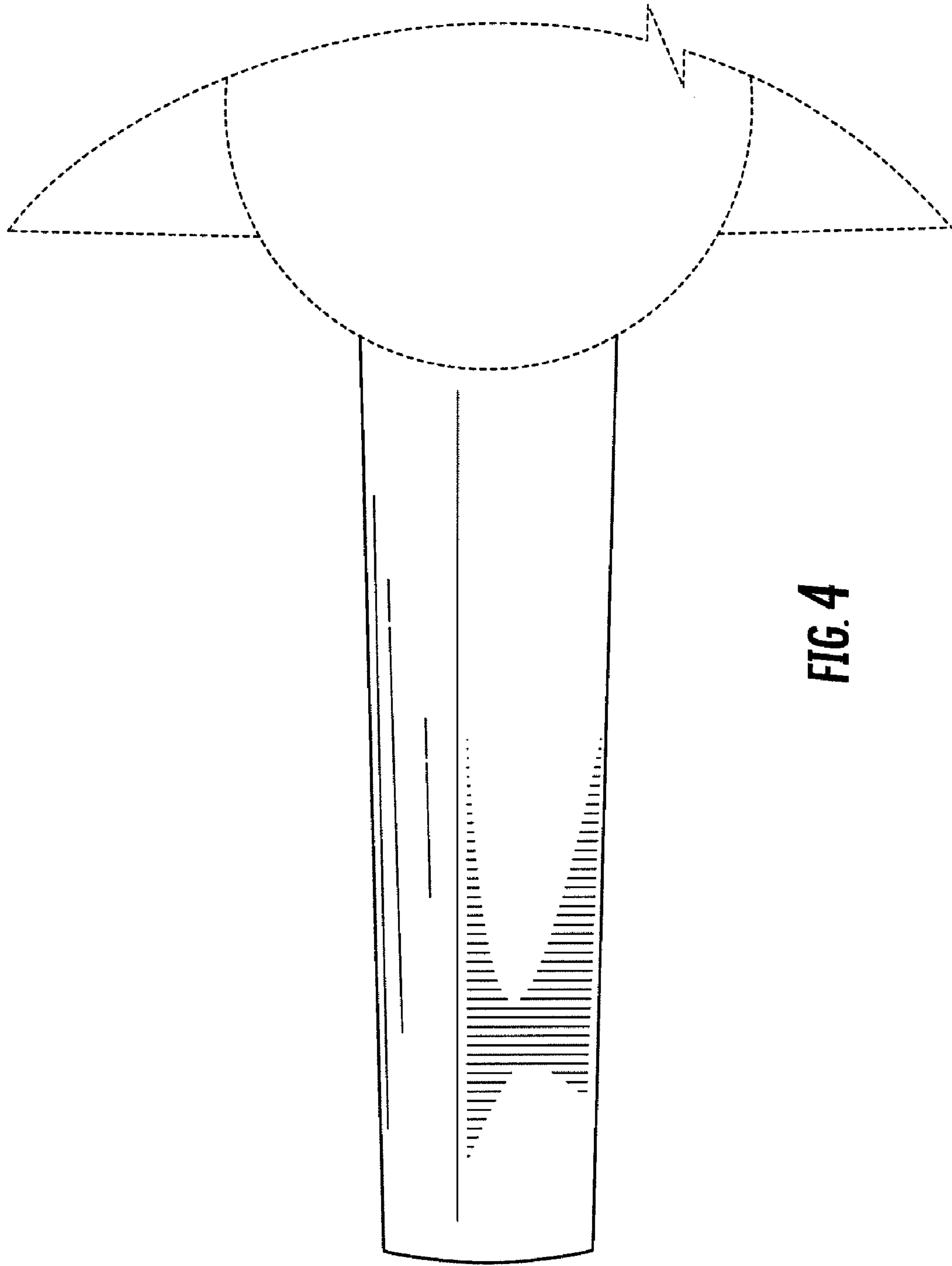


FIG. 2



**FIG. 3**



**FIG. 4**

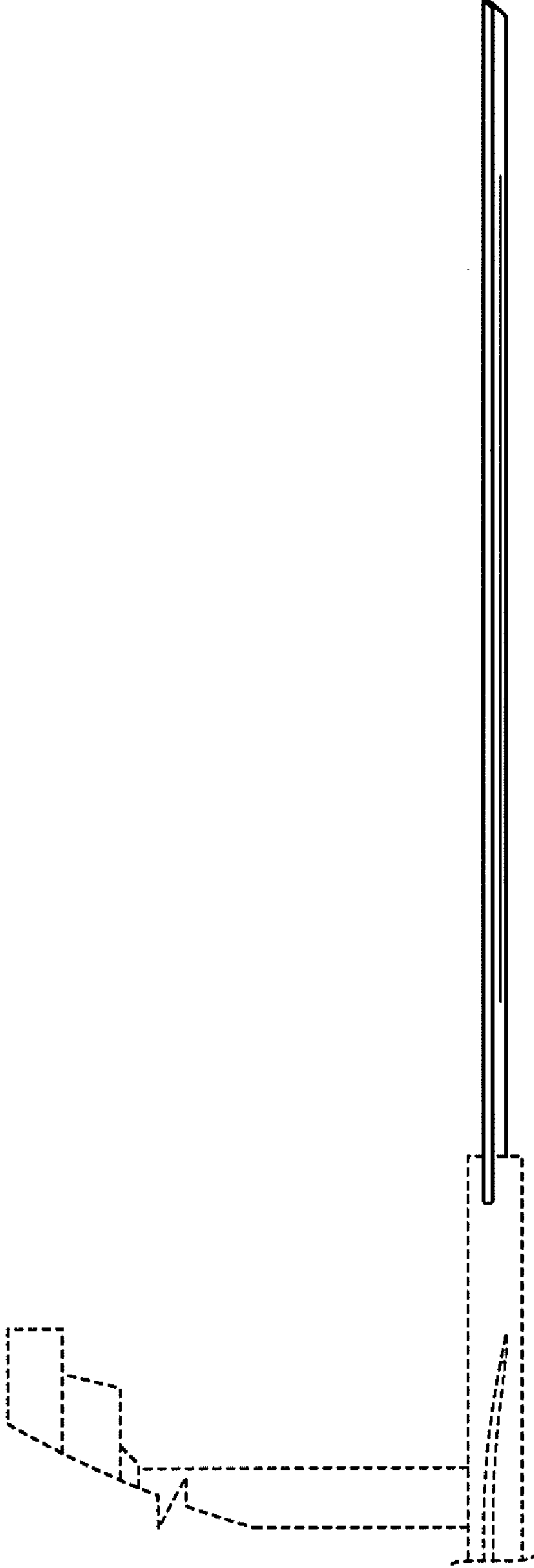


FIG. 5

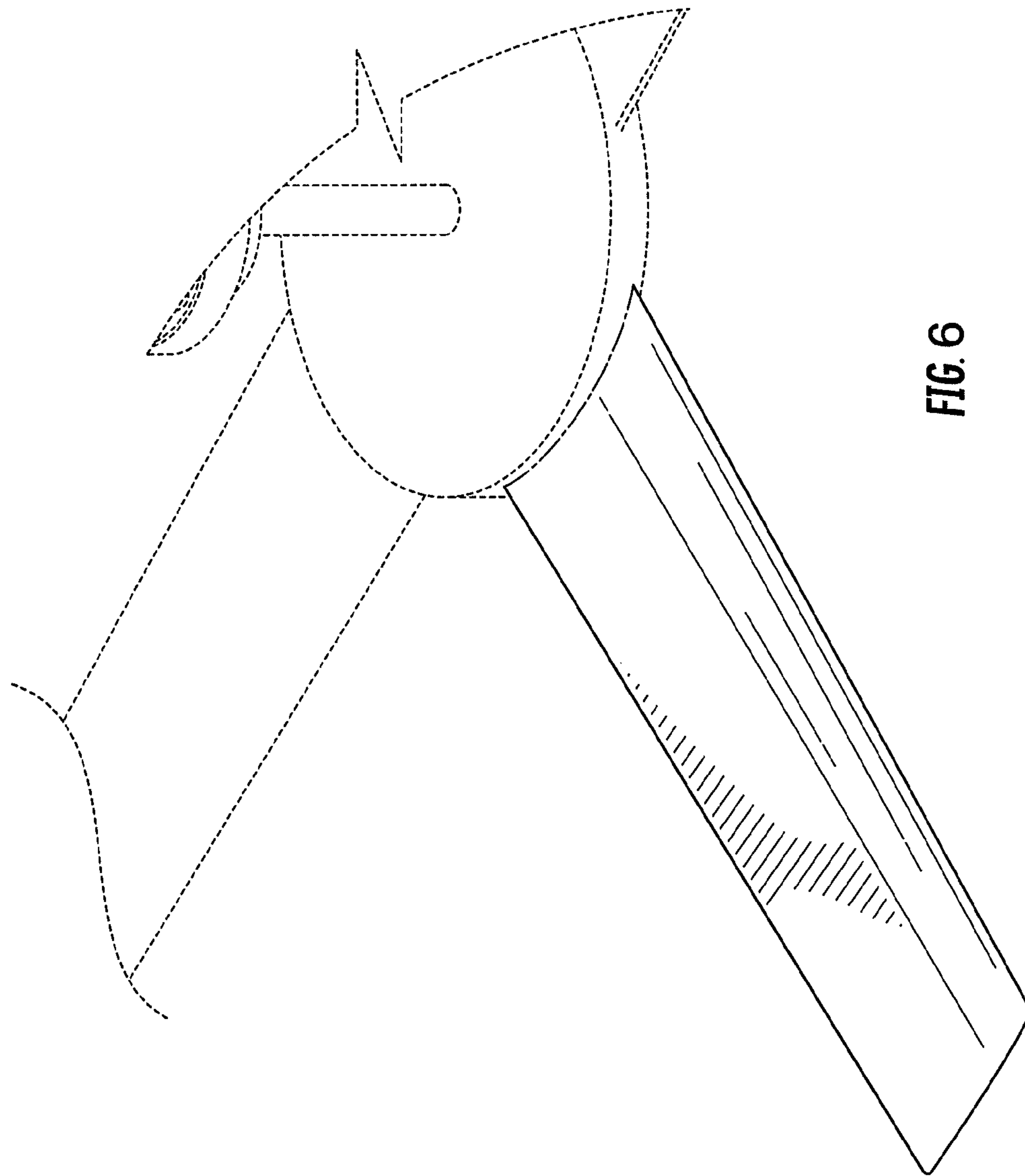


FIG. 6

