



US00D679792S

(12) **United States Design Patent**
Hollingsworth

(10) **Patent No.:** **US D679,792 S**

(45) **Date of Patent:** **** Apr. 9, 2013**

(54) **SCENTED AIR FILTER**

(76) Inventor: **Matthew Hollingsworth**, Goodyear, AZ
(US)

(**) Term: **14 Years**

(21) Appl. No.: **29/370,093**

(22) Filed: **Jun. 7, 2010**

(51) **LOC (9) Cl.** **23-04**

(52) **U.S. Cl.** **D23/365**

(58) **Field of Classification Search** D23/365,
D23/363, 358, 386, 354, 341, 364; 55/385.3,
55/502, 497, 506, 505, 521, 495, 422, 493,
55/492, DIG. 30; 210/497; 422/121; 454/111,
454/158

See application file for complete search history.

(56) **References Cited**

U.S. PATENT DOCUMENTS

3,471,023	A *	10/1969	Rosaen	210/223
5,531,892	A *	7/1996	Duffy	210/493.1
D397,777	S *	9/1998	Mack, Jr.	D23/354
5,817,168	A *	10/1998	Wheless	96/222
D449,100	S *	10/2001	Sundet et al.	D23/365
6,464,745	B2 *	10/2002	Rivera et al.	55/497
D538,418	S *	3/2007	Pippel et al.	D23/365
7,217,333	B2 *	5/2007	Sundet et al.	156/196
D544,949	S *	6/2007	Winters et al.	D23/365

D593,189	S *	5/2009	Kawano et al.	D23/365
D605,274	S *	12/2009	Kawano et al.	D23/365
7,896,940	B2 *	3/2011	Sundet et al.	55/486
D657,858	S *	4/2012	Platt	D23/365
8,172,919	B1 *	5/2012	Ruiz et al.	55/495
8,202,340	B2 *	6/2012	Healey et al.	55/487
2005/0284116	A1 *	12/2005	Duffy	55/497
2006/0053759	A1 *	3/2006	Winters et al.	55/497
2008/0031783	A1 *	2/2008	Briggs et al.	422/121
2009/0126326	A1 *	5/2009	McClellan	55/497
2012/0121470	A1 *	5/2012	Morito et al.	422/121

FOREIGN PATENT DOCUMENTS

JP	03165808	A *	7/1991
JP	2009285573	A *	12/2009
WO	WO 2010101520	A1 *	9/2010

* cited by examiner

Primary Examiner — Michael A Pratt

(74) *Attorney, Agent, or Firm* — Richard L. Mikesell

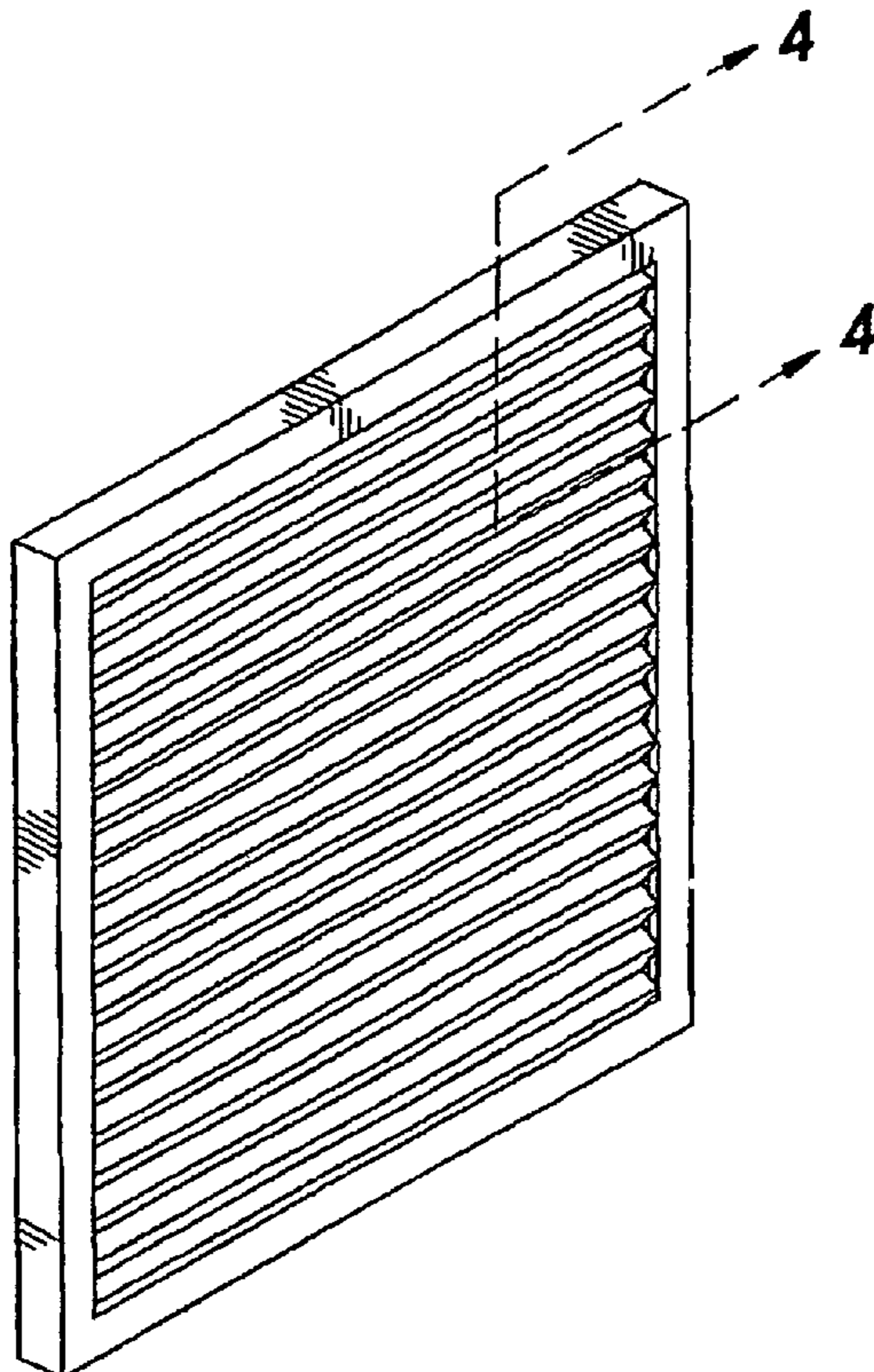
(57) **CLAIM**

The ornamental design for a scented air filter, as shown and described.

DESCRIPTION

FIG. 1 is a top right perspective view;
FIG. 2 is a side elevation view;
FIG. 3 is a rear perspective view; and,
FIG. 4 is a cross section view taken along 4-4 in FIG. 1.

1 Claim, 3 Drawing Sheets



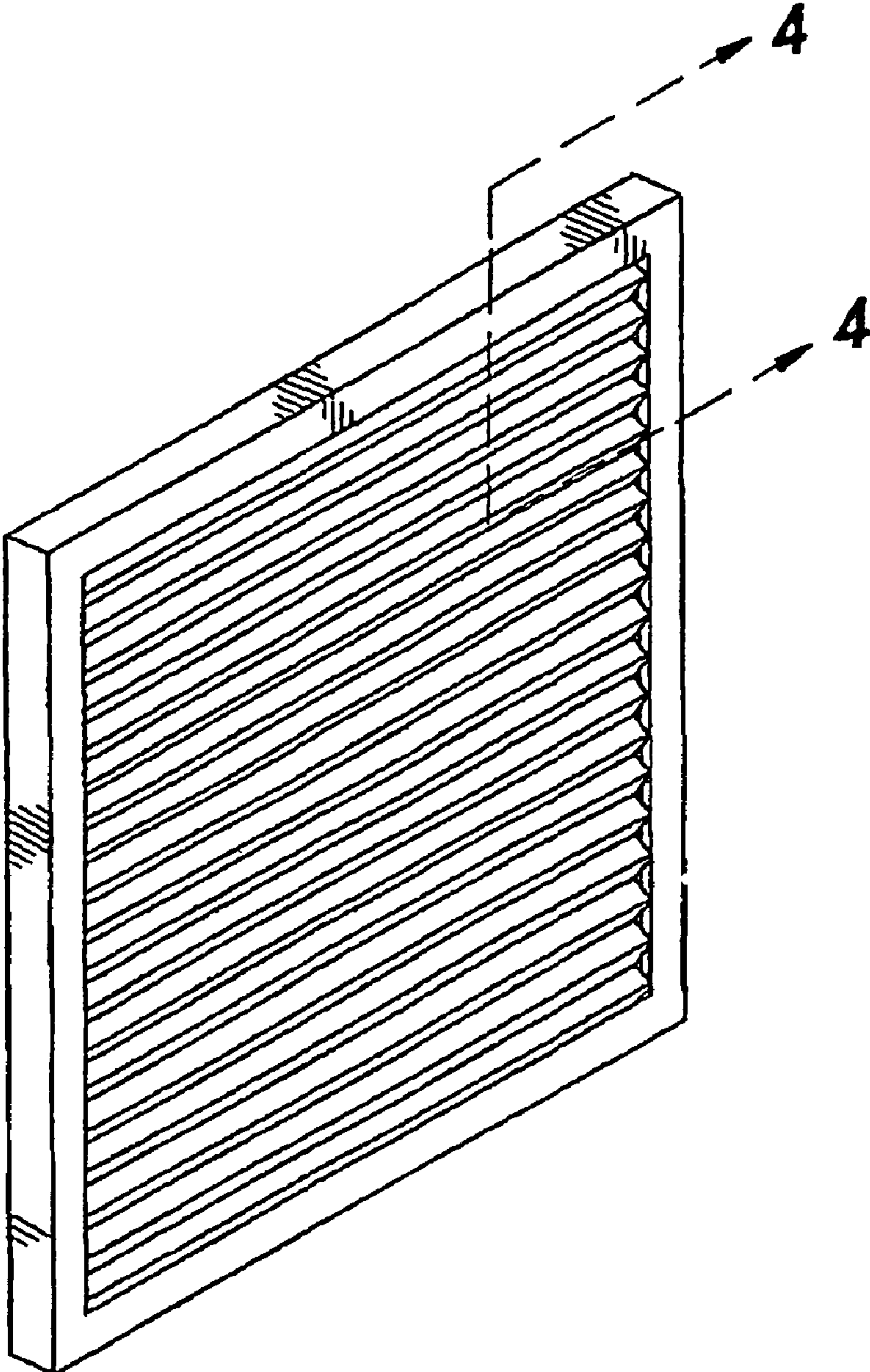


Fig. 1

Fig. 2

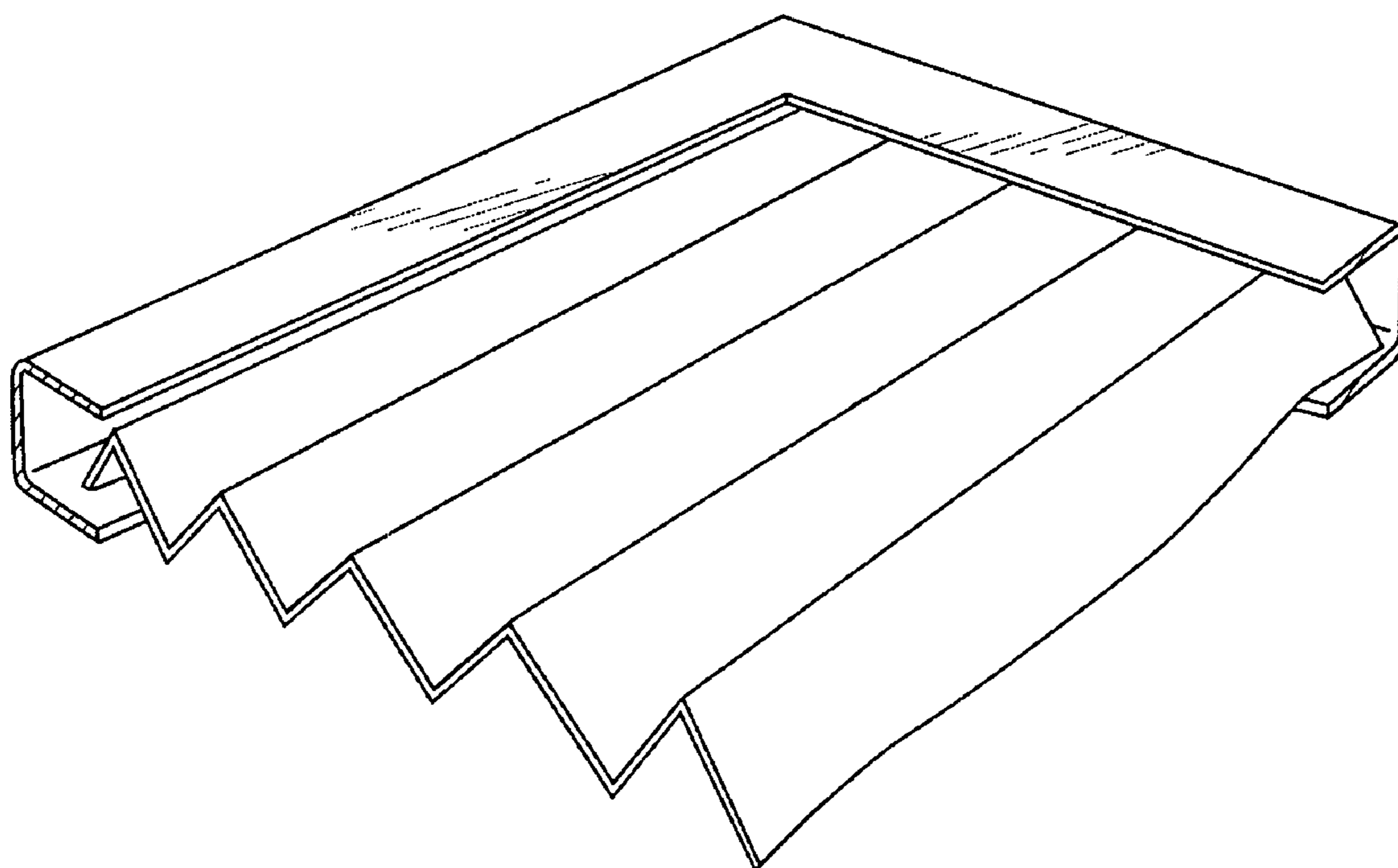


Fig. 3

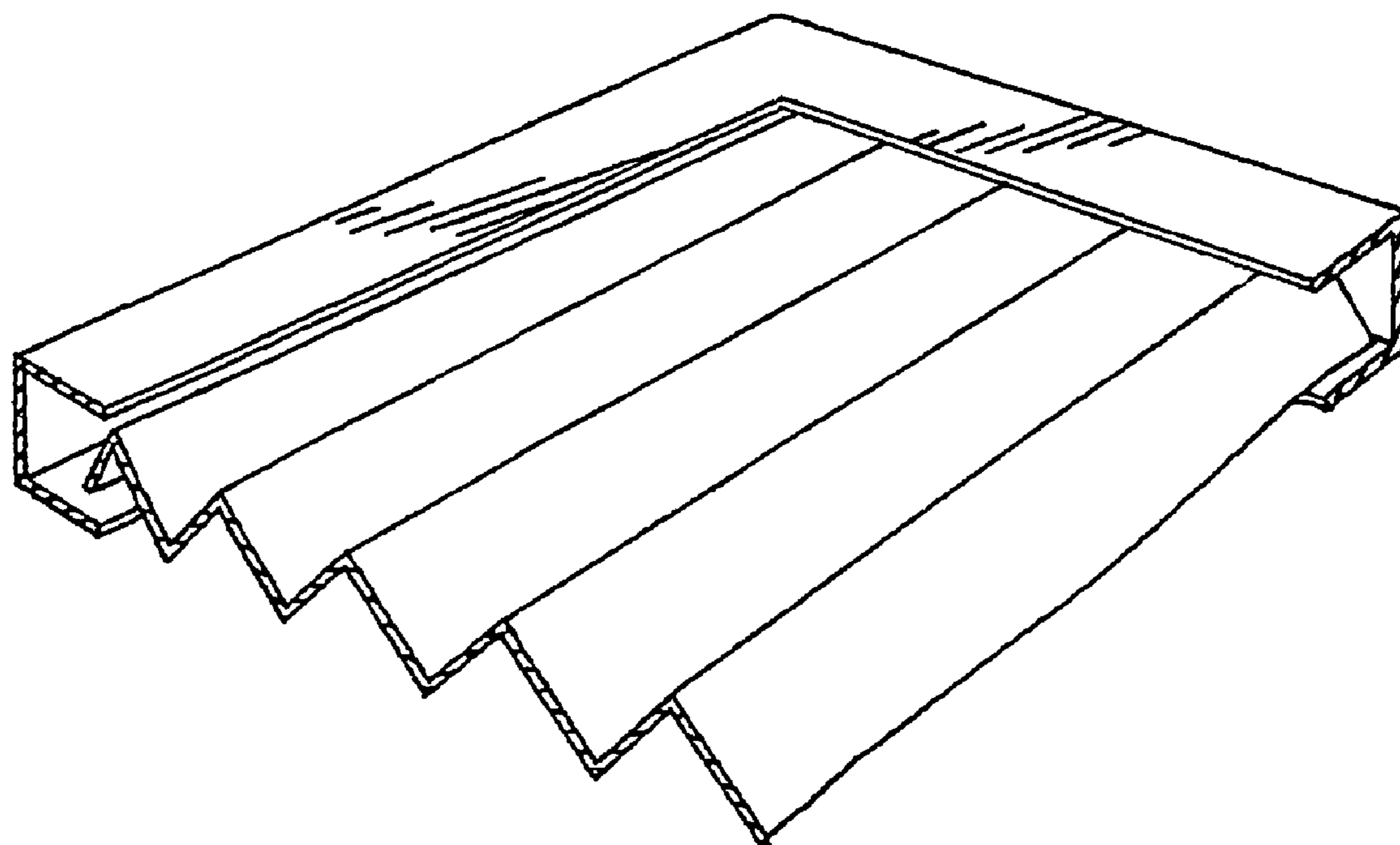


Fig. 4