



US00D679791S

(12) **United States Design Patent**  
**Lowsky**

(10) **Patent No.:** **US D679,791 S**

(45) **Date of Patent:** **\*\* Apr. 9, 2013**

(54) **FIRE PIT**

(76) Inventor: **Jamie Lowsky**, Aventura, FL (US)

(\*\*) Term: **14 Years**

(21) Appl. No.: **29/426,561**

(22) Filed: **Jul. 6, 2012**

(51) **LOC (9) Cl.** ..... **23-03**

(52) **U.S. Cl.** ..... **D23/343**

(58) **Field of Classification Search** ..... D23/314,  
D23/317, 332, 338, 339, 340, 342, 343, 346;  
26/523; 126/527, 536, 544, 555, 25 R, 58,  
126/8, 512, 92 R, 519; D7/335; D6/486  
See application file for complete search history.

D468,952 S	1/2003	Graham et al.	
6,609,514 B1	8/2003	Bertolas	
D512,775 S	12/2005	Rosen	
D540,451 S	4/2007	Emalfarb	
D575,389 S	8/2008	Lazzara	
D579,261 S	10/2008	Chiang	
D590,201 S *	4/2009	Zagar	..... D7/335
D595,833 S	7/2009	Lazzara	
D596,892 S	7/2009	Vanderminde	
D633,995 S *	3/2011	Chiang	..... D23/343
8,028,690 B1	10/2011	Lohaus	
2006/0236996 A1	10/2006	Mosher et al.	
2009/0320403 A1	12/2009	Love	

\* cited by examiner

*Primary Examiner* — T. Chase Nelson

*Assistant Examiner* — Ania Aman

(74) *Attorney, Agent, or Firm* — Akerman Senterfitt; Peter A. Chiabotti

(56) **References Cited**

U.S. PATENT DOCUMENTS

2,079,225 A	5/1937	Sabaneeff et al.
D131,939 S	4/1942	Robinson et al.
D177,153 S	3/1956	Sorchini et al.
D183,890 S	11/1958	Lee et al.
D184,794 S	4/1959	Barber et al.
3,765,397 A	10/1973	Henderson et al.
D246,687 S	12/1977	Selva
4,167,176 A	9/1979	Johnson
D253,931 S	1/1980	DeVischer et al.
D258,259 S	2/1981	Lindholm
D262,086 S	12/1981	Miller
D262,427 S	12/1981	Boston et al.
D273,264 S	4/1984	Elliston
D280,580 S	9/1985	Appel et al.
4,582,046 A	4/1986	Yamada
D286,002 S	10/1986	Brix
4,840,128 A	6/1989	McFarlane et al.
4,850,333 A	7/1989	Dellrud et al.
5,176,124 A	1/1993	Wrasse
D361,467 S	8/1995	Kabayama
D383,029 S	9/1997	Strelcheck, Jr. et al.
D389,009 S	1/1998	Baykal
D394,779 S	6/1998	Hilvitz
D449,490 S	10/2001	Frederick

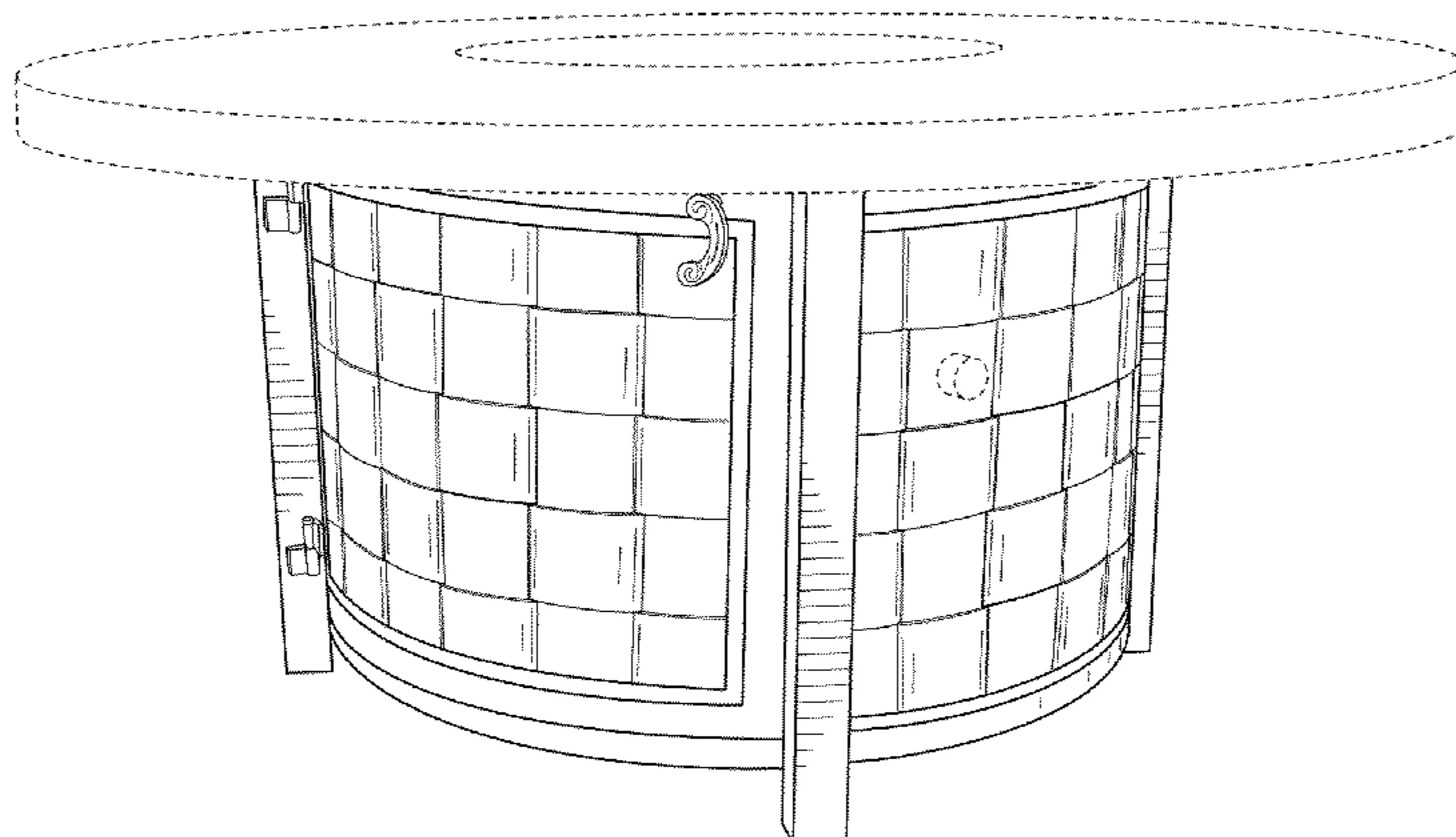
(57) **CLAIM**

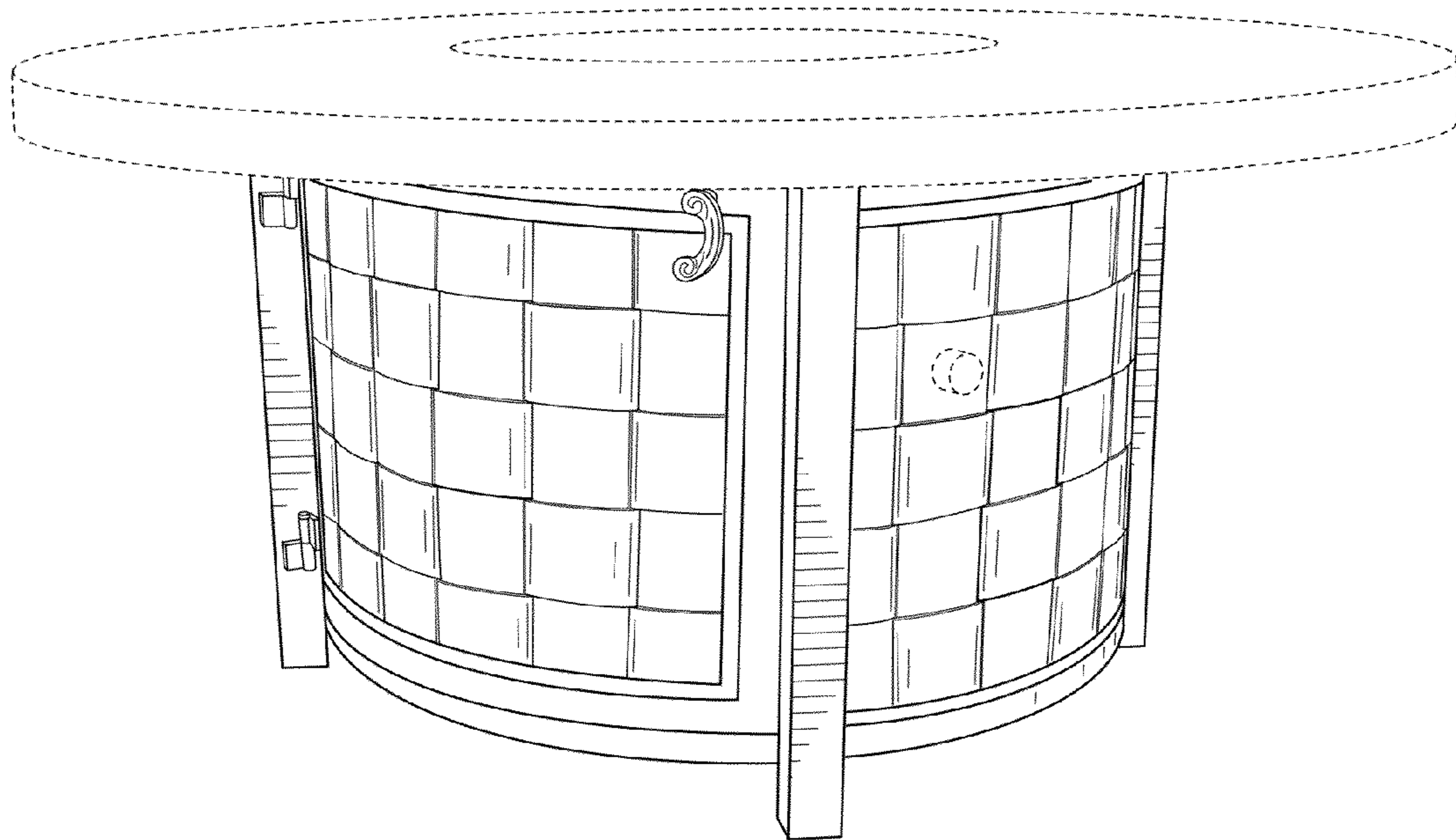
The ornamental design for a fire pit, as shown and described.

**DESCRIPTION**

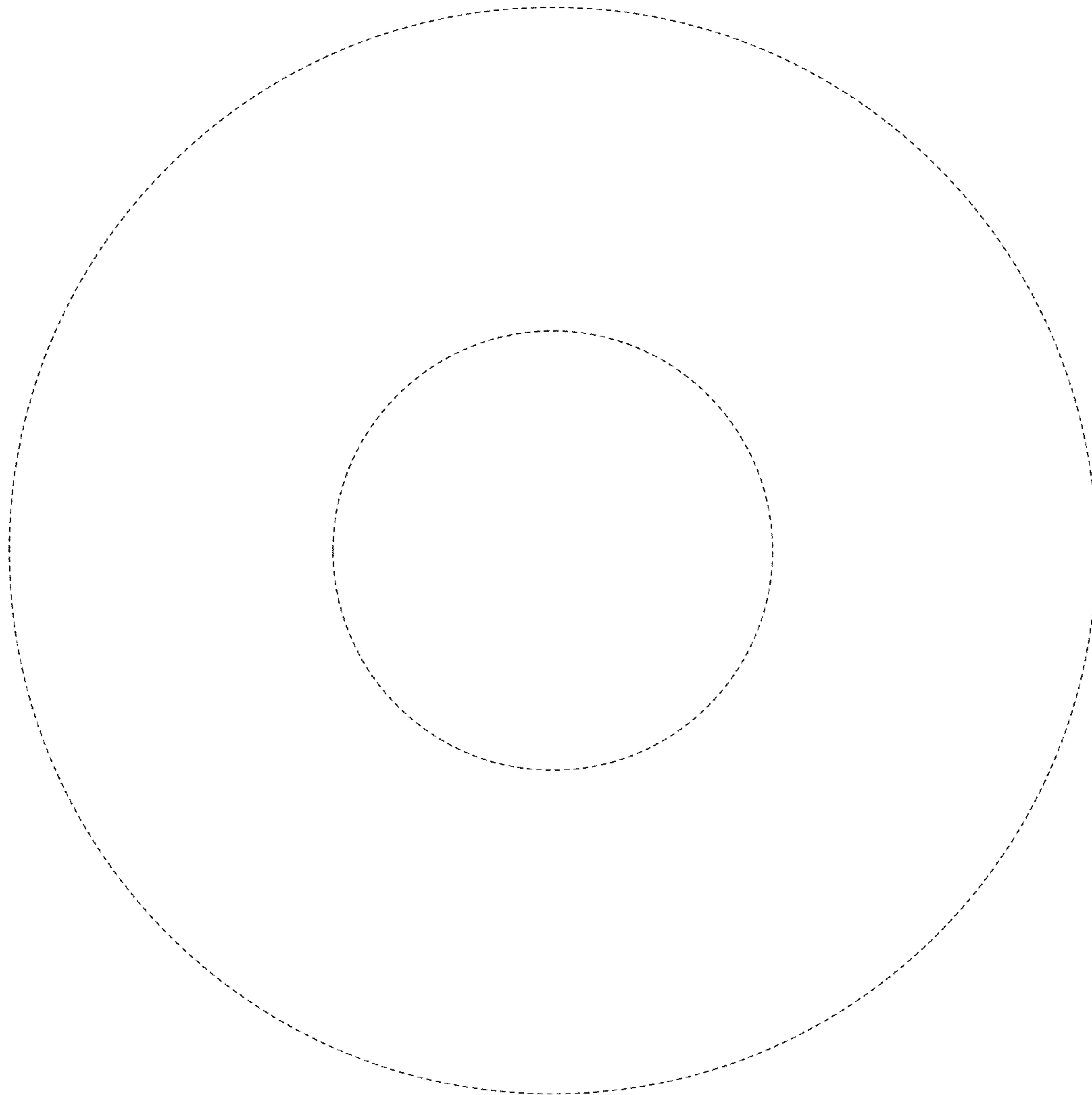
FIG. 1 is a perspective view of my ornamental design;  
 FIG. 2 is a top plan view of the ornamental design of FIG. 1;  
 FIG. 3 is a bottom plan view of the ornamental design of FIG. 1;  
 FIG. 4 is a side elevation view of the ornamental design of FIG. 1;  
 FIG. 5 is second side elevation view of the ornamental design of FIG. 1;  
 FIG. 6 is a third side elevation view of the ornamental design of FIG. 1; and,  
 FIG. 7 is a fourth side elevation view of the ornamental design of FIG. 1.  
 The broken lines in the figures are for the purpose of illustrating a portion of the fire pit that forms no part of the claims design.

**1 Claim, 7 Drawing Sheets**

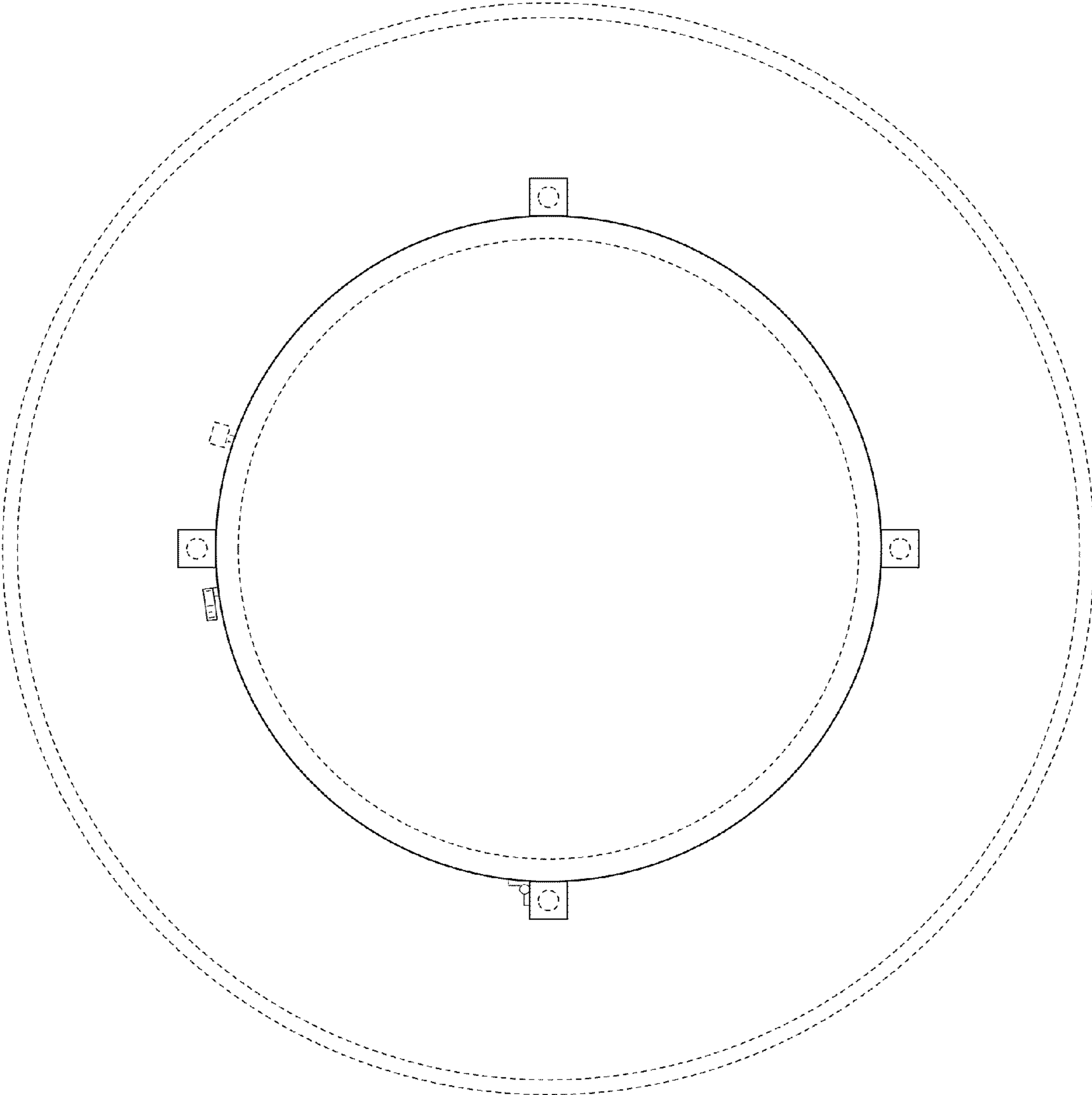




**FIG. 1**



**FIG. 2**



**FIG. 3**

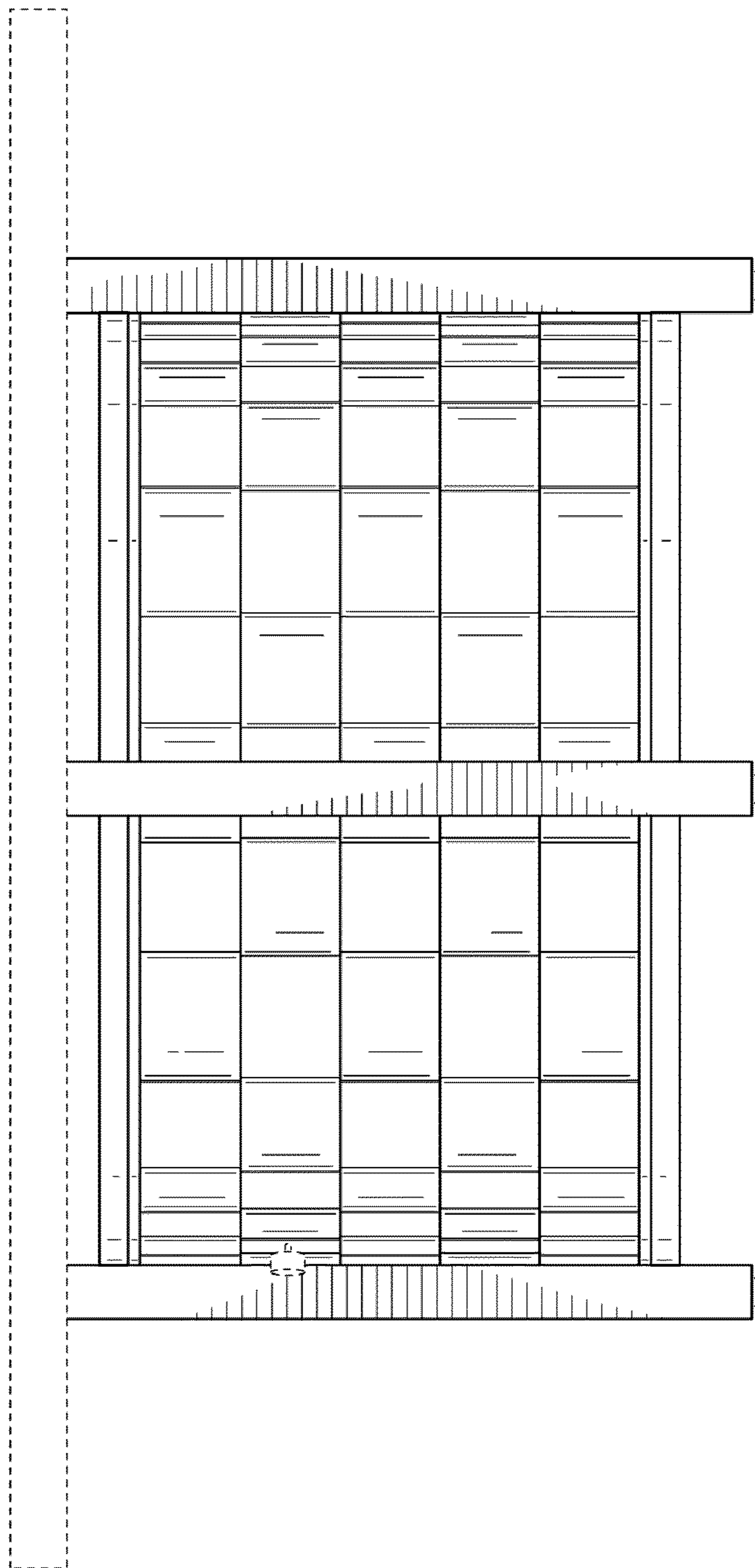


FIG. 4

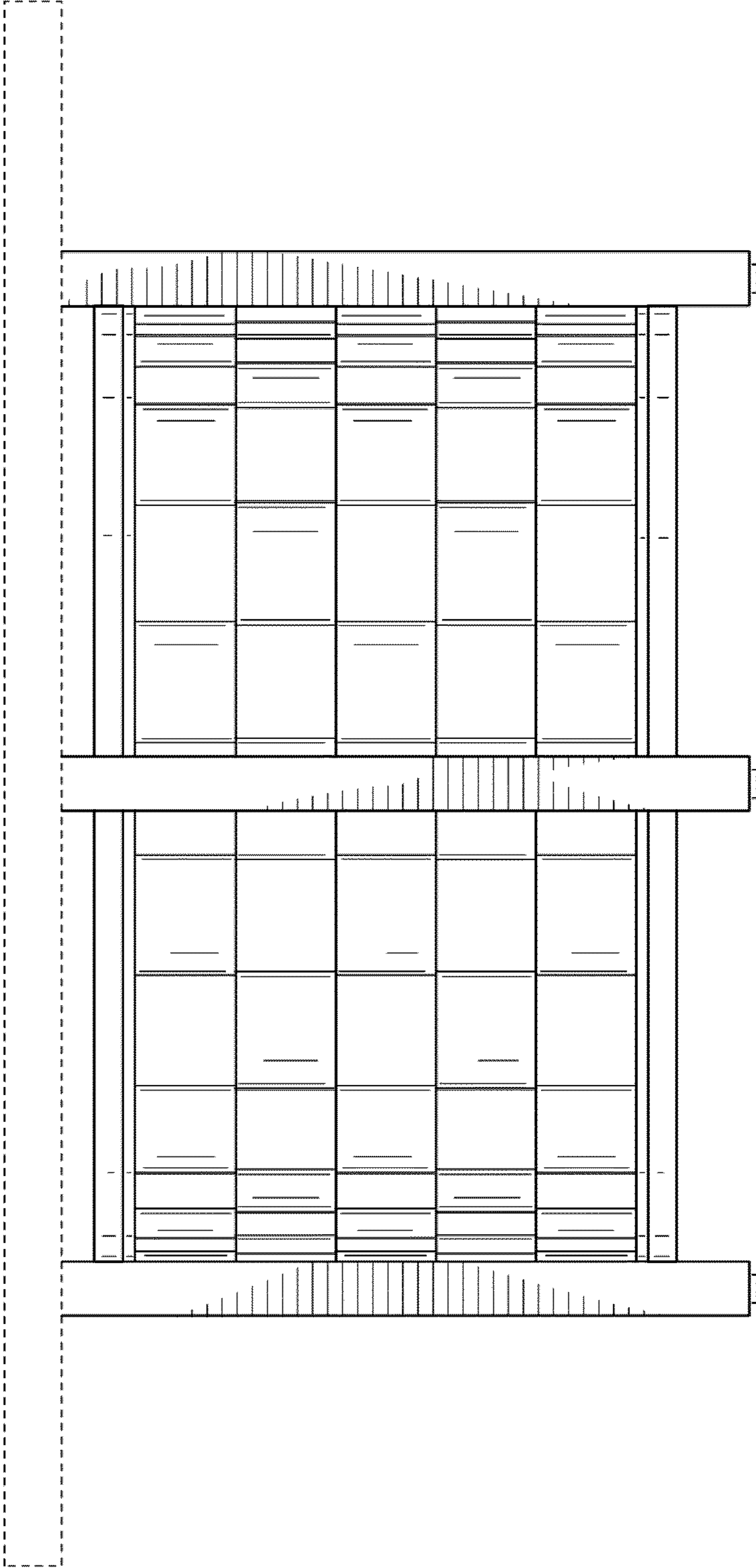


FIG. 5

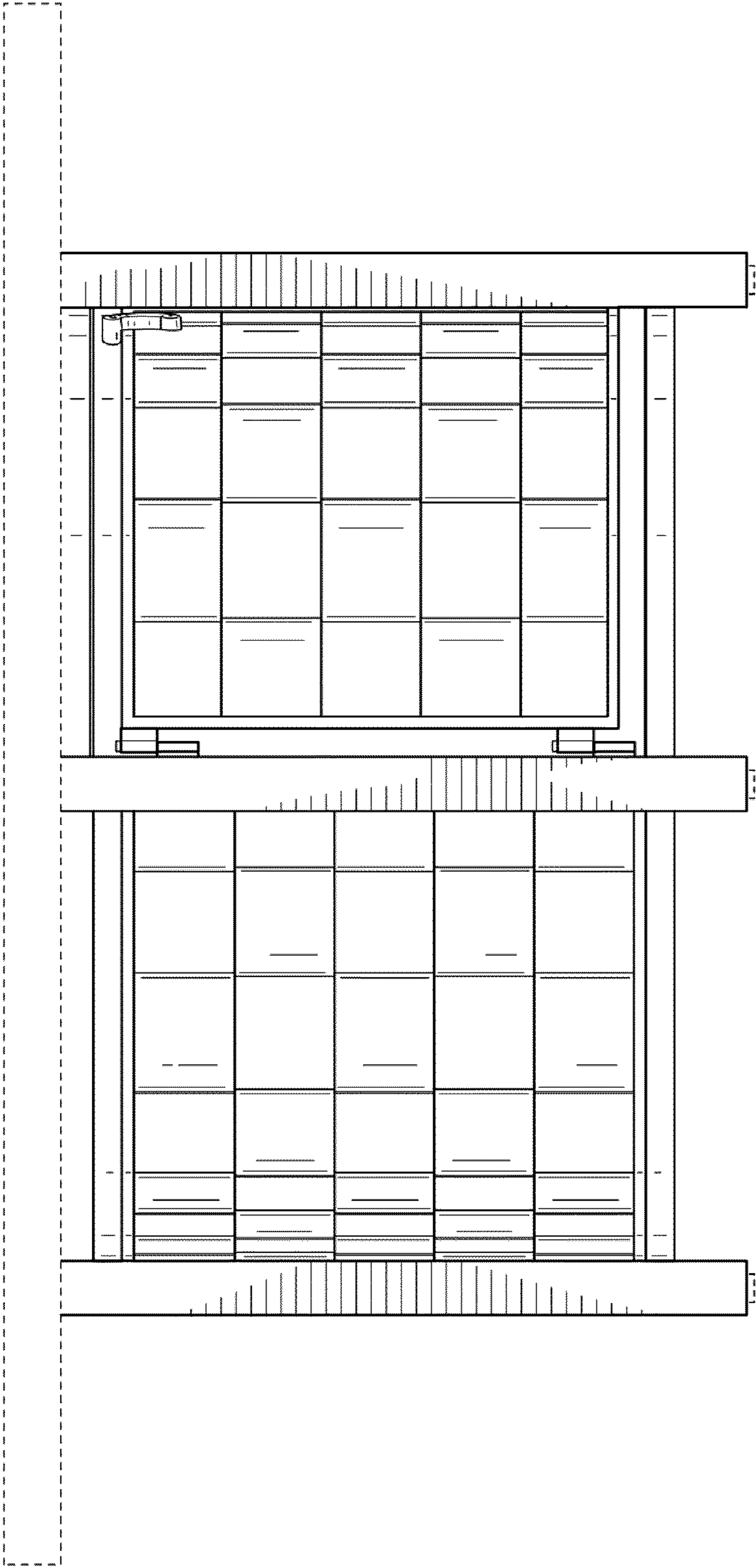


FIG. 6

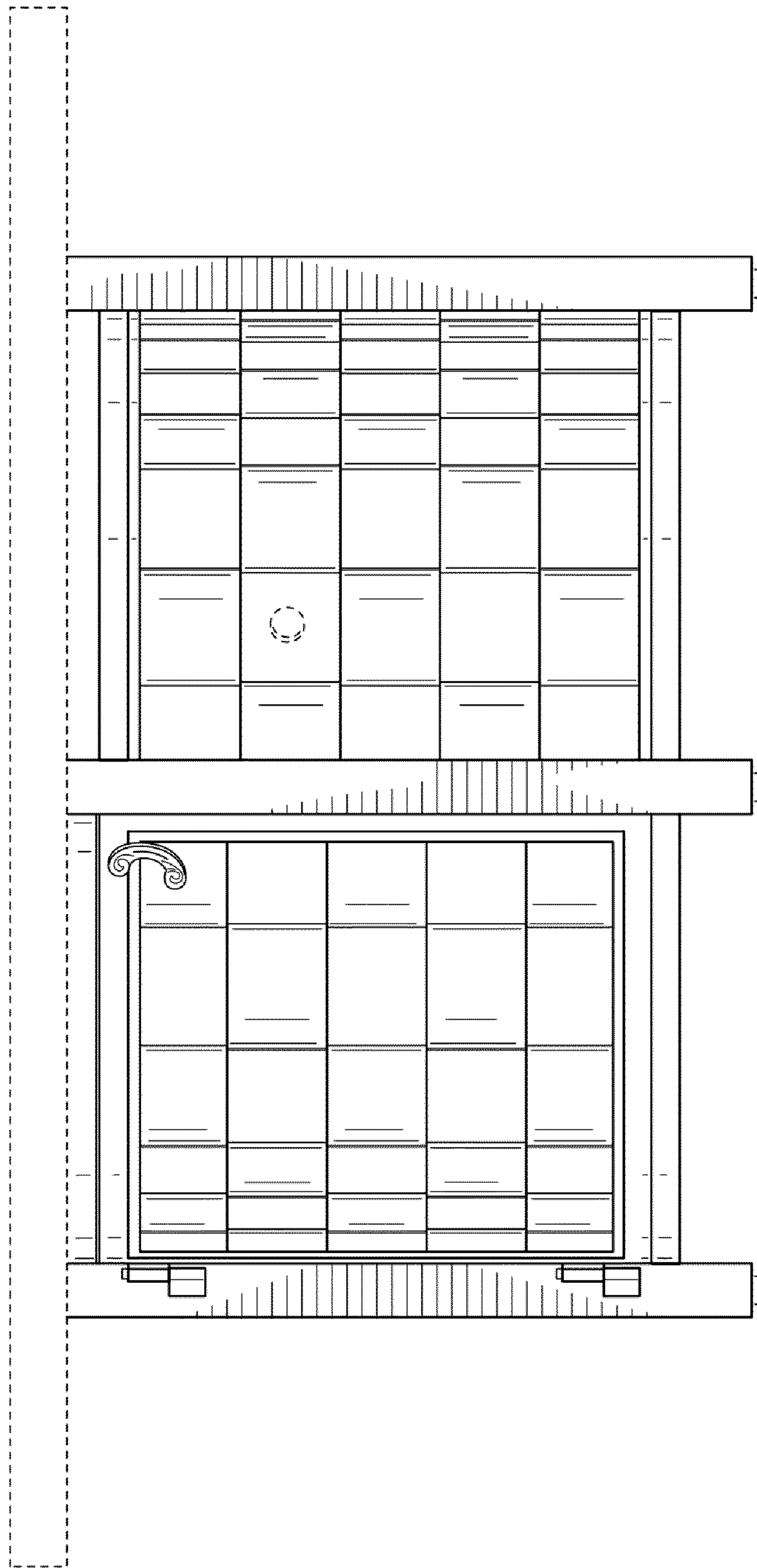


FIG. 7