



US00D679784S

(12) **United States Design Patent**
Meyer

(10) **Patent No.:** **US D679,784 S**

(45) **Date of Patent:** **** Apr. 9, 2013**

(54) **HOSE COUPLING**

(75) Inventor: **Michael Meyer**, Schwaikheim (DE)

(73) Assignee: **Alfred Kaercher GmbH & Co. KG**,
Winnenden (DE)

(**) Term: **14 Years**

(21) Appl. No.: **29/374,967**

(22) Filed: **Nov. 1, 2011**

(30) **Foreign Application Priority Data**

May 3, 2011 (WO) DM/075 923

(51) **LOC (9) Cl.** **23-01**

(52) **U.S. Cl.**
USPC **D23/262**

(58) **Field of Classification Search** D23/259,
D23/262; 285/245, 246, 249, 322, 255; 138/109
See application file for complete search history.

(56) **References Cited**

U.S. PATENT DOCUMENTS

D392,722 S *	3/1998	Kurz	D23/262
D406,881 S *	3/1999	Kuwabara	D23/262
D463,537 S *	9/2002	Kozu et al.	D23/262
D482,761 S *	11/2003	Gotoh et al.	D23/262
D483,096 S *	12/2003	Gotoh et al.	D23/262
D564,076 S *	3/2008	Brockington et al.	D23/262
D575,377 S *	8/2008	Roman	D23/259
D584,802 S *	1/2009	Goodridge	D23/262
D586,433 S *	2/2009	Price et al.	D23/259

D616,969 S *	6/2010	Zore	D23/262
D624,161 S *	9/2010	Zore	D23/262
D627,863 S *	11/2010	Ball	D23/262
D632,764 S *	2/2011	Cheng	D23/262
D634,406 S *	3/2011	Klimas	D23/262
D648,006 S *	11/2011	Morishita	D23/259
2004/0183302 A1 *	9/2004	Allen et al.	285/322

OTHER PUBLICATIONS

Extract from catalog of Alfred Kaercher GmbH & Co. KG, "Programme 2010 Kaercher Home & Garden", cover, pp. 58, 64-66, 71 and last page (Nov. 2009).

* cited by examiner

Primary Examiner — Eric Goodman

(74) *Attorney, Agent, or Firm* — Lipsitz & McAllister, LLC

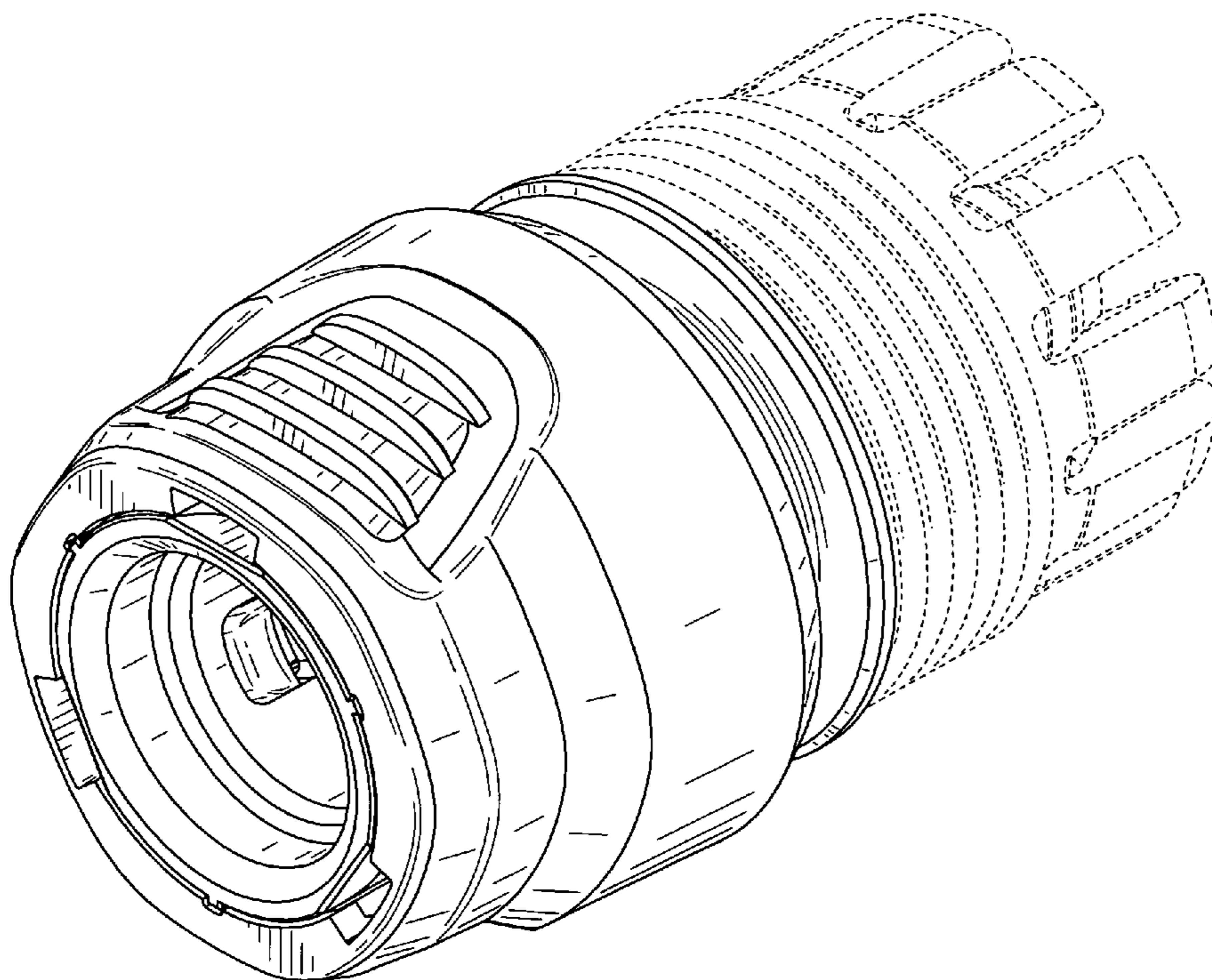
(57) **CLAIM**

The ornamental design for a hose coupling, as shown and described.

DESCRIPTION

FIG. 1 is a front, top and left side perspective view of a hose coupling showing my new design;
FIG. 2 is a front, top and right side perspective view thereof;
FIG. 3 is a left side elevational view thereof;
FIG. 4 is a right side elevational view thereof; and,
FIG. 5 is a top plan view thereof.
The broken line showing is included for the purpose of illustrating portions of the article and forms no part of the claimed design.

1 Claim, 5 Drawing Sheets



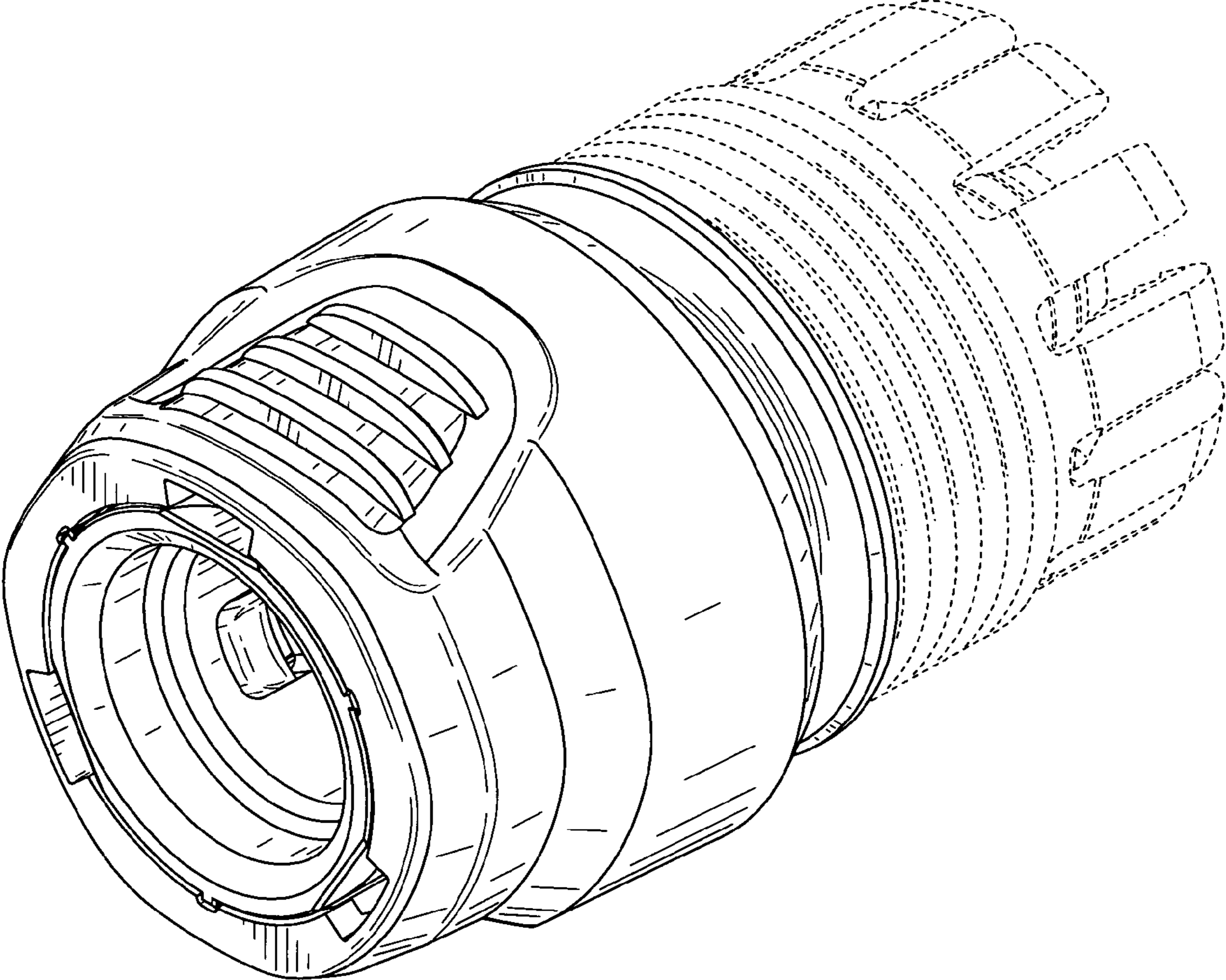


FIG. 1

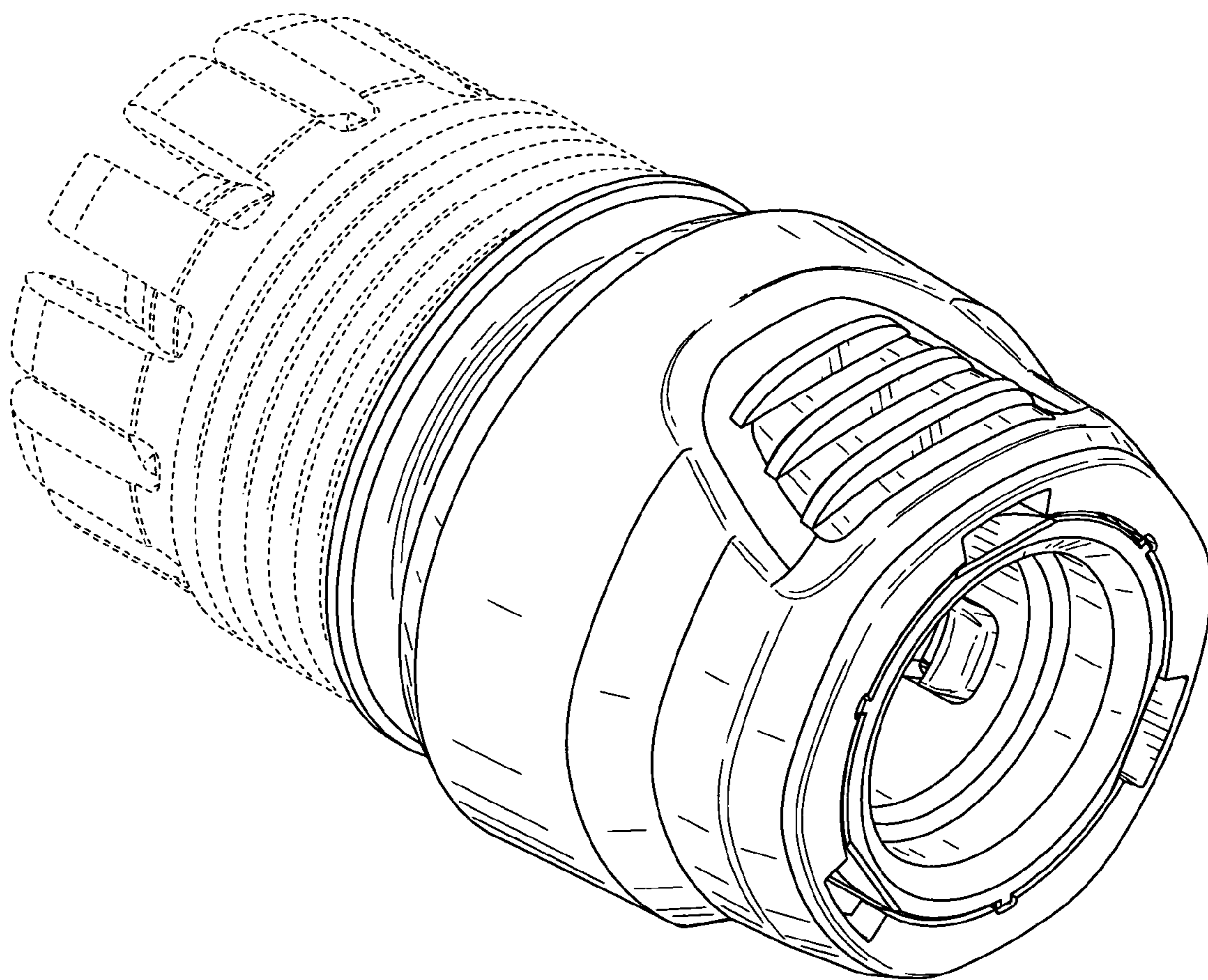


FIG. 2

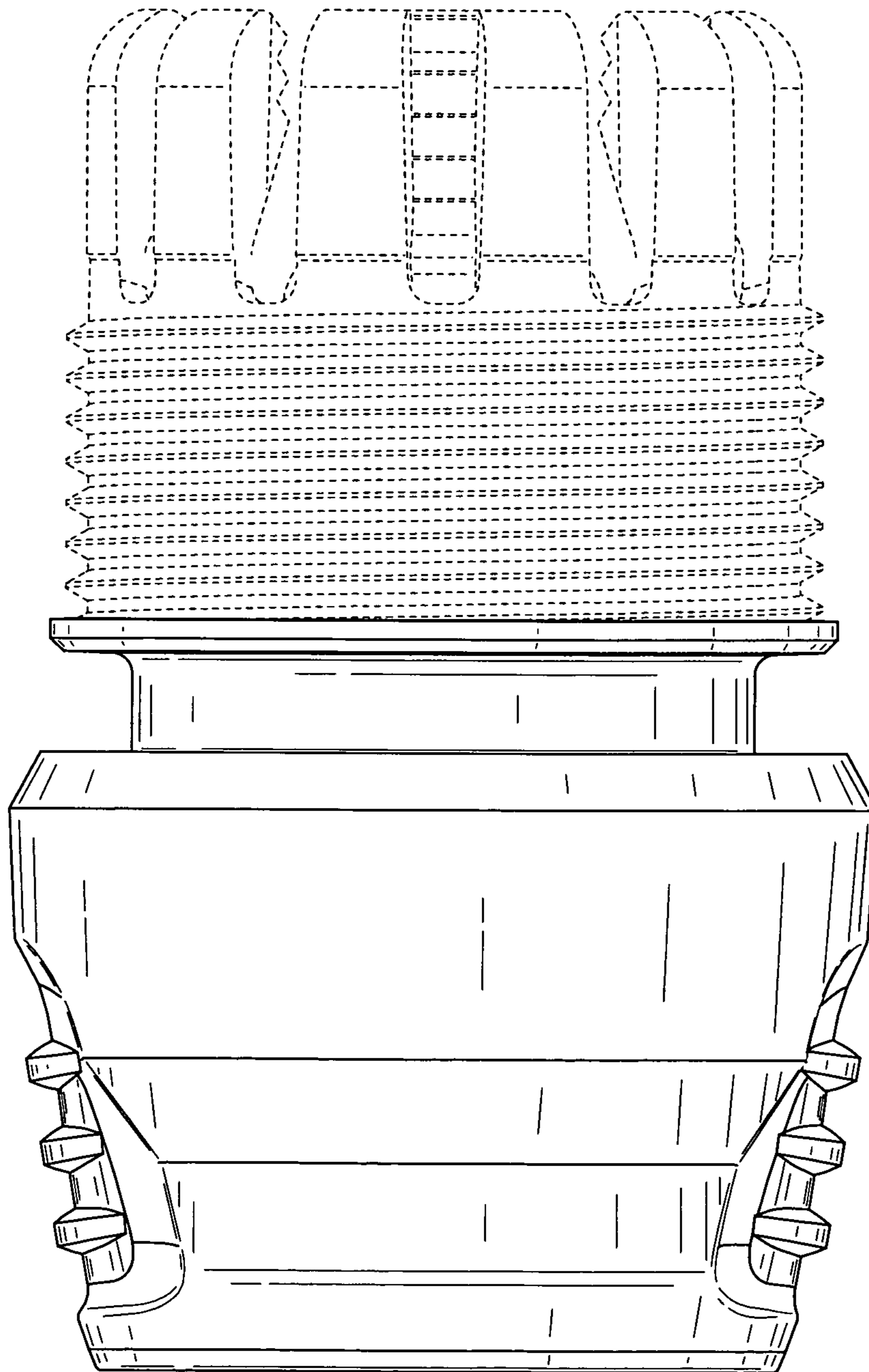


FIG. 3

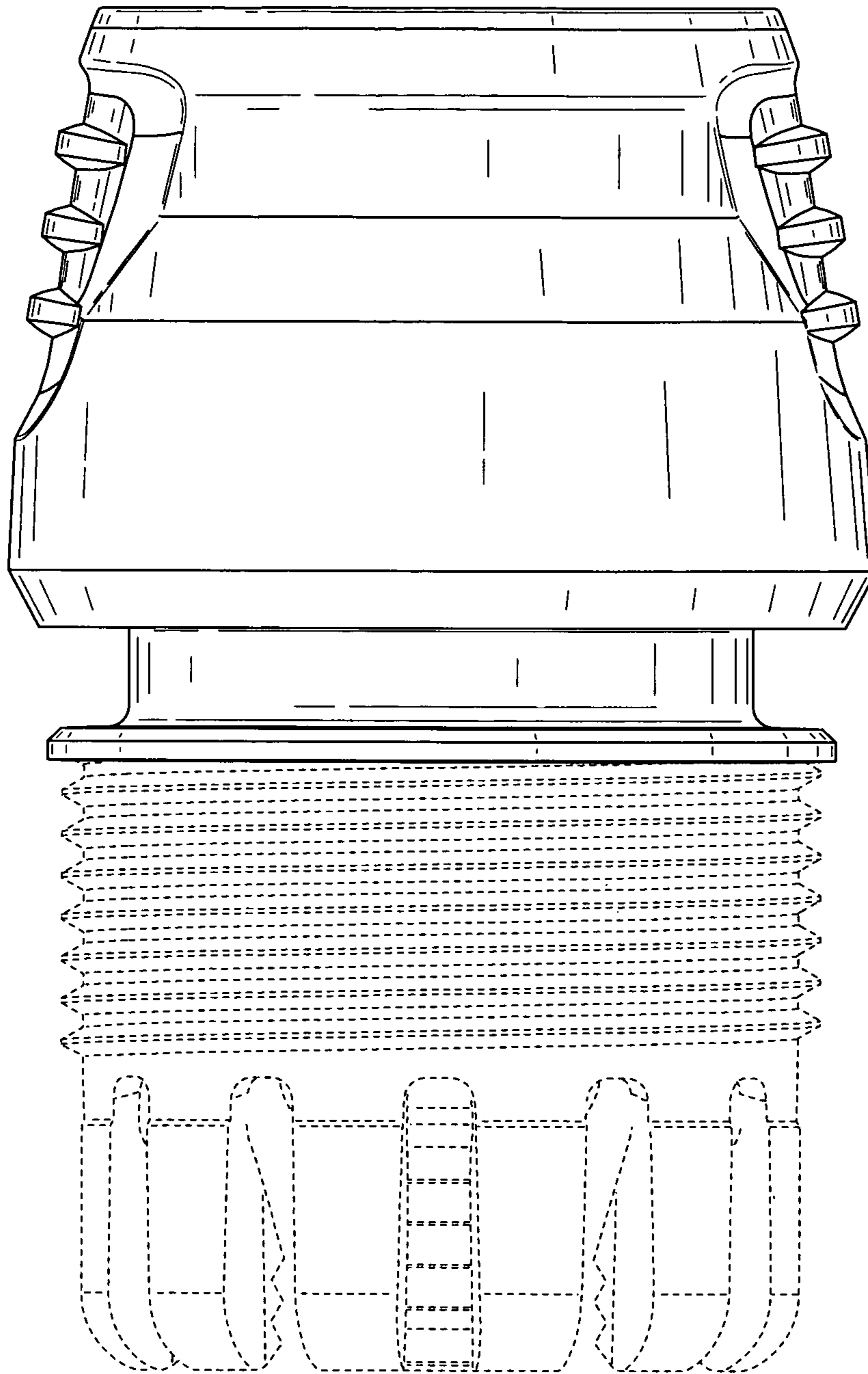


FIG. 4

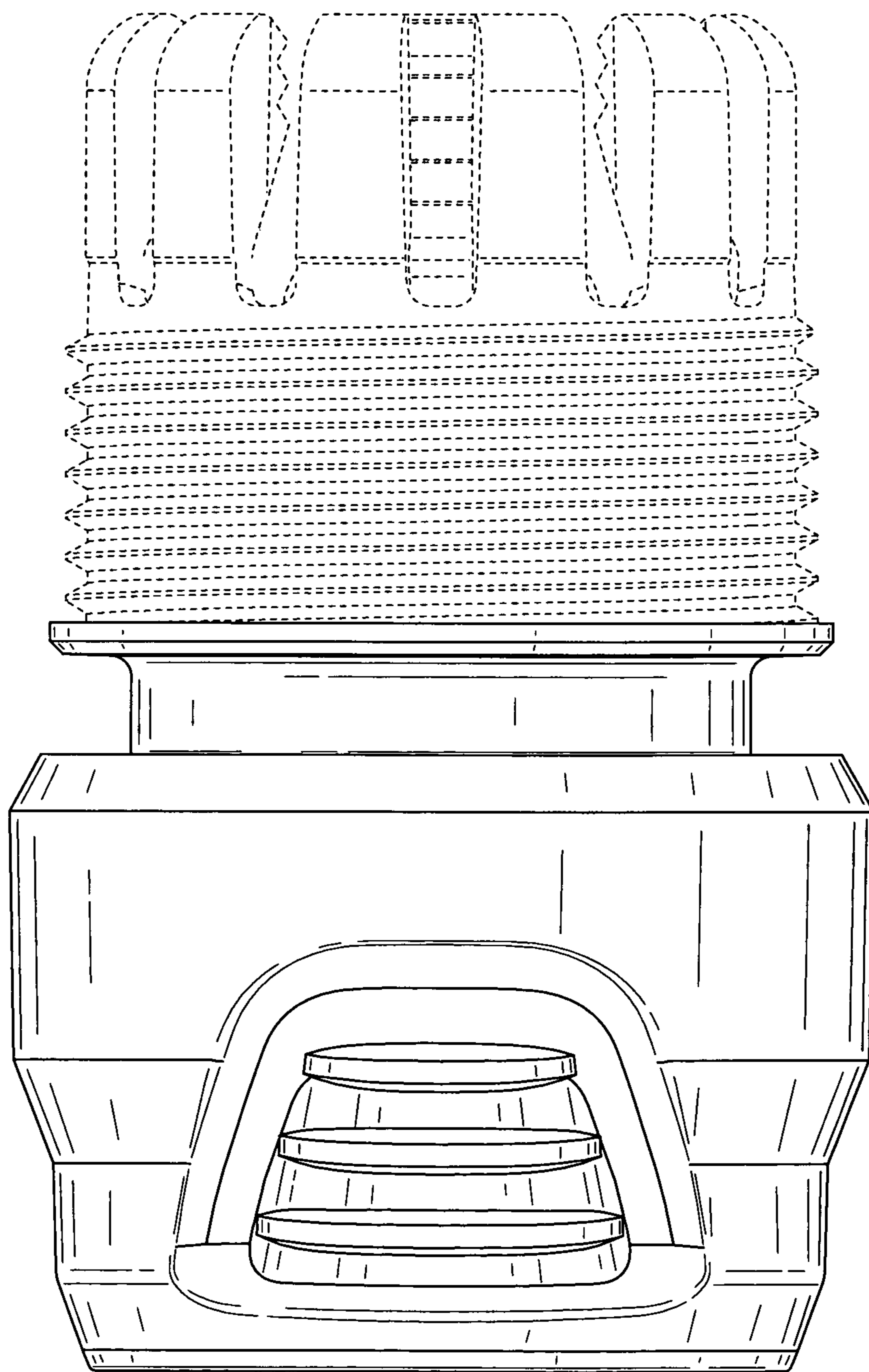


FIG. 5