



US00D679781S

(12) **United States Design Patent**  
**Flowers et al.**

(10) **Patent No.:** **US D679,781 S**

(45) **Date of Patent:** **\*\* Apr. 9, 2013**

(54) **VALVE**

(75) Inventors: **Paul Flowers**, Duesseldorf (DE); **Jochen Allard**, Menden (DE)

(73) Assignee: **Grohe AG**, Hemer (DE)

(\*\*) Term: **14 Years**

(21) Appl. No.: **29/388,358**

(22) Filed: **Mar. 28, 2011**

(51) **LOC (9) Cl.** ..... **23-01**

(52) **U.S. Cl.**  
USPC ..... **D23/250**

(58) **Field of Classification Search** ..... D23/250,  
D23/252-254, 238-243; D8/250-253; 137/359,  
137/801; 4/675-678

See application file for complete search history.

(56) **References Cited**

**U.S. PATENT DOCUMENTS**

D421,099 S \* 2/2000 Mullenmeister ..... D23/254  
D441,845 S \* 5/2001 Fleischmann ..... D23/254

D450,812 S \* 11/2001 Lobermeier ..... D23/254  
D458,348 S \* 6/2002 Mullenmeister ..... D23/254  
D592,284 S \* 5/2009 Lammel et al. .... D23/254

\* cited by examiner

*Primary Examiner* — Robert Delehanty

(74) *Attorney, Agent, or Firm* — Muncy, Geissler, Old & Lowe, PLLC

(57) **CLAIM**

The ornamental design for a valve, as shown and described.

**DESCRIPTION**

FIG. 1 is a left side elevational view of the valve of the present invention, the right side elevational view being a mirror image thereof.

FIG. 2 is a front elevational view of the valve of FIG. 1.

FIG. 3 is a rear elevation view of the valve of FIG. 1.

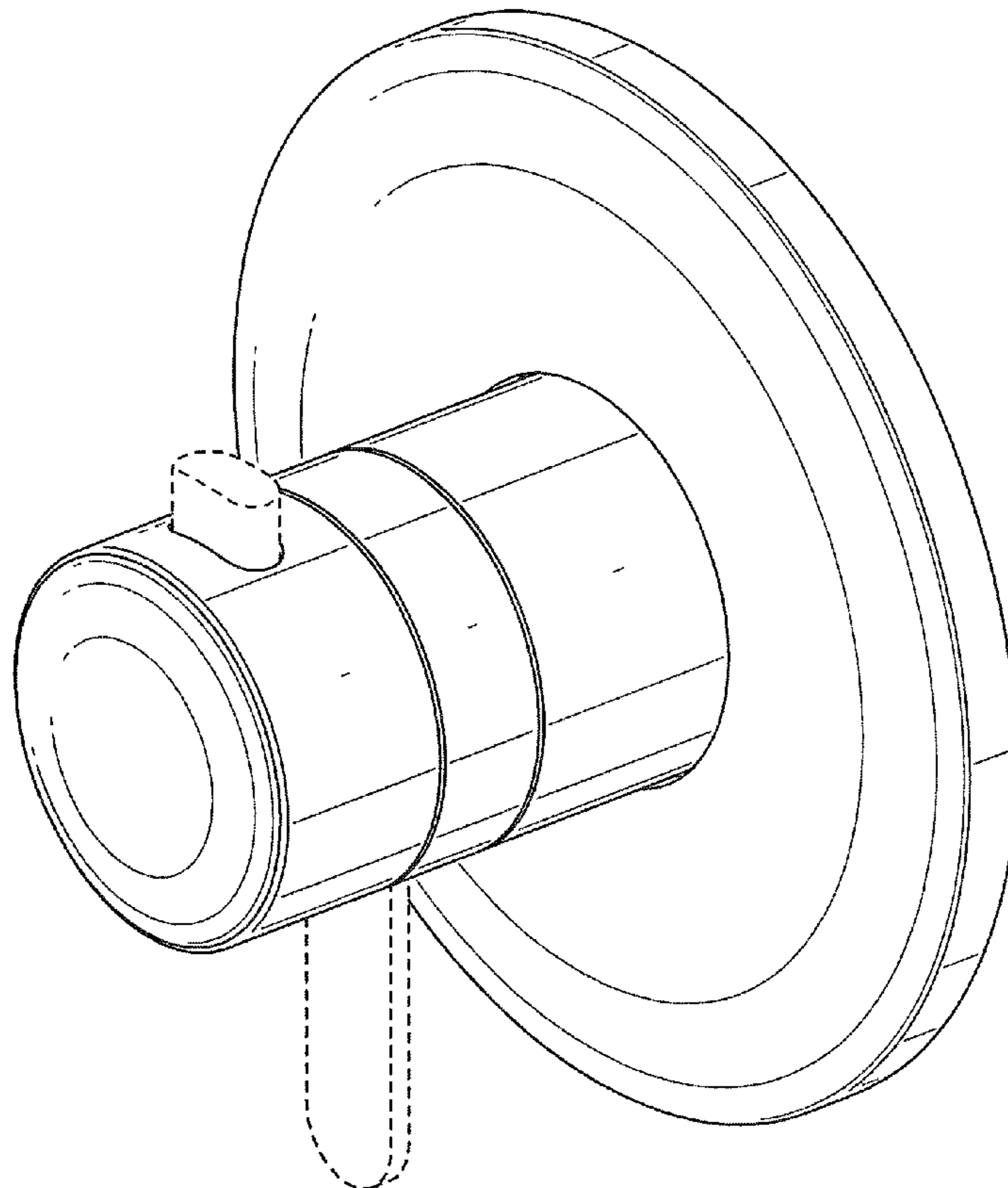
FIG. 4 is a top plan view of the valve of FIG. 1.

FIG. 5 is a bottom plan view of the valve of FIG. 1; and,

FIG. 6 is a three-quarter view of the valve of FIG. 1.

The dashed lines illustrate environment that does not form a part of the present invention, and no claim is made to the material illustrated with dashed lines.

**1 Claim, 6 Drawing Sheets**



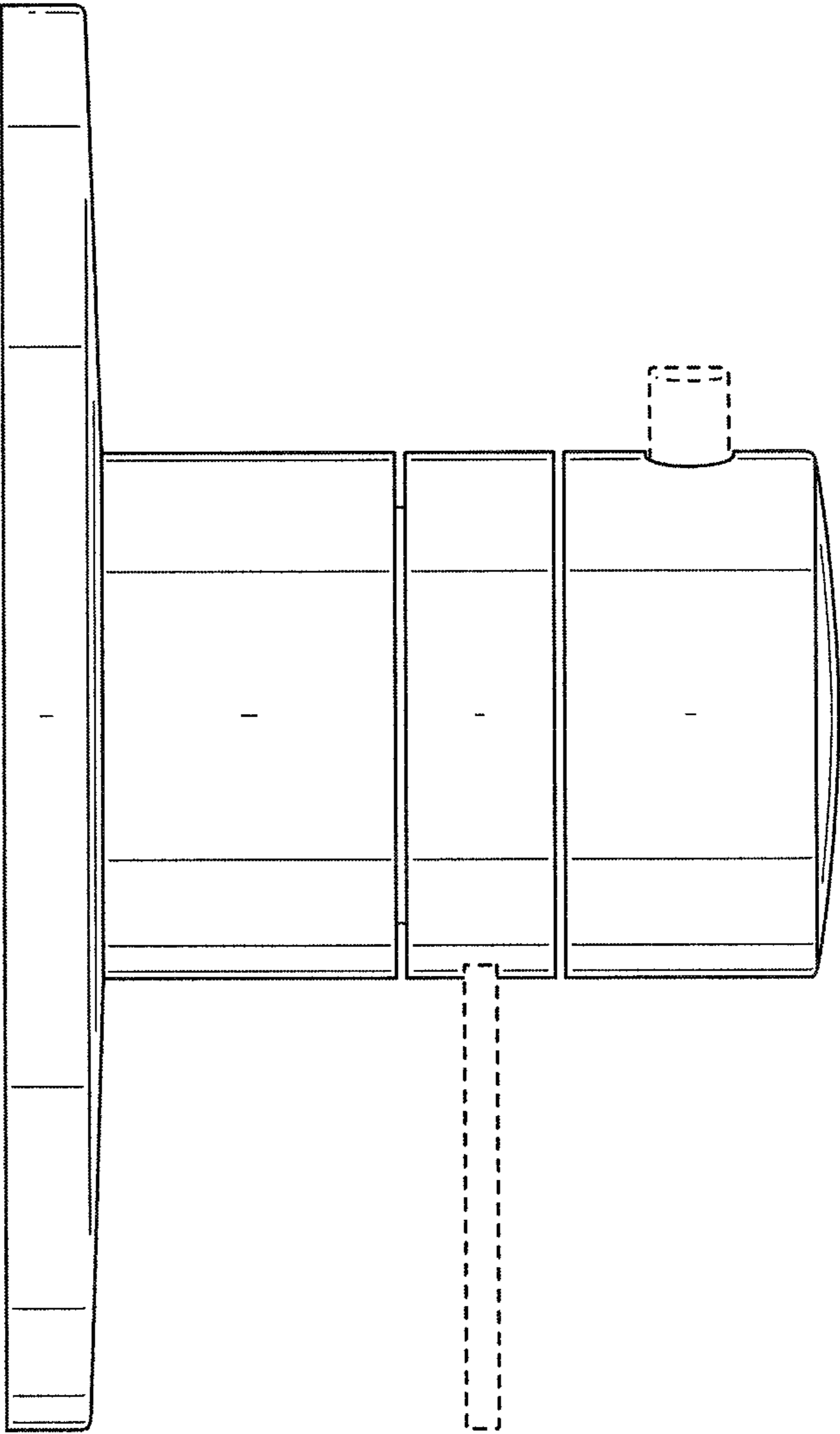


FIG. 1

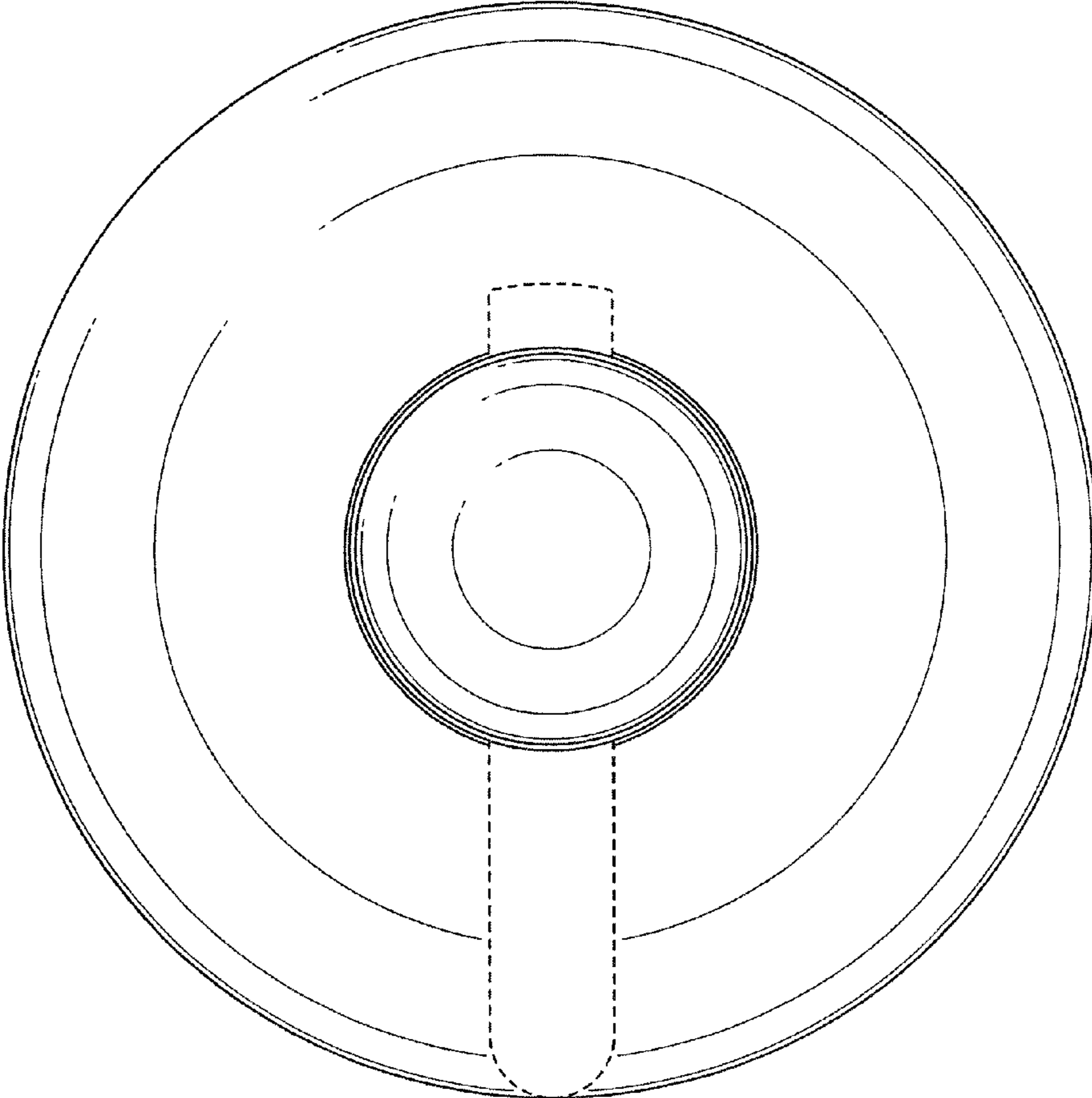


FIG. 2

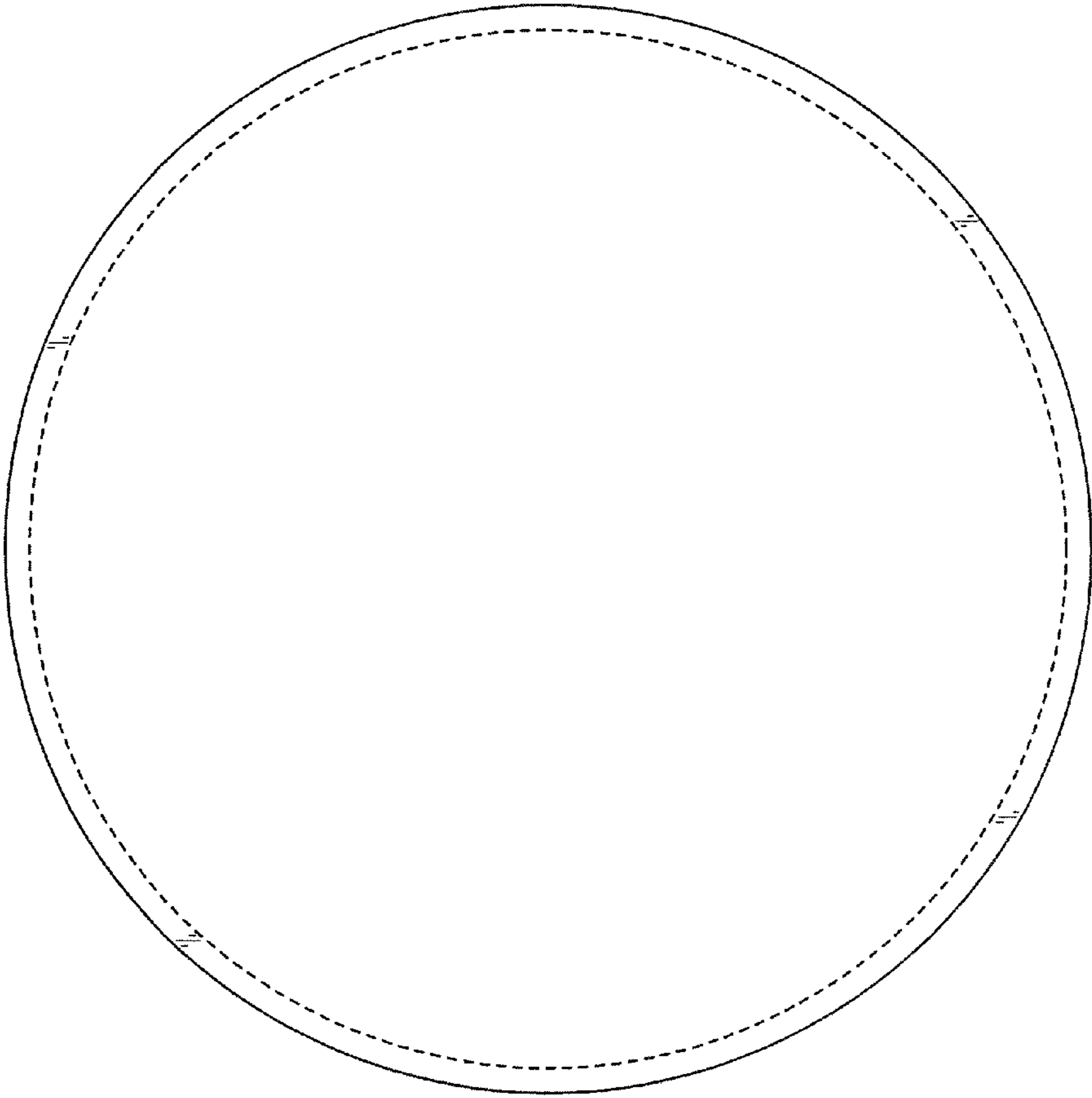


FIG. 3

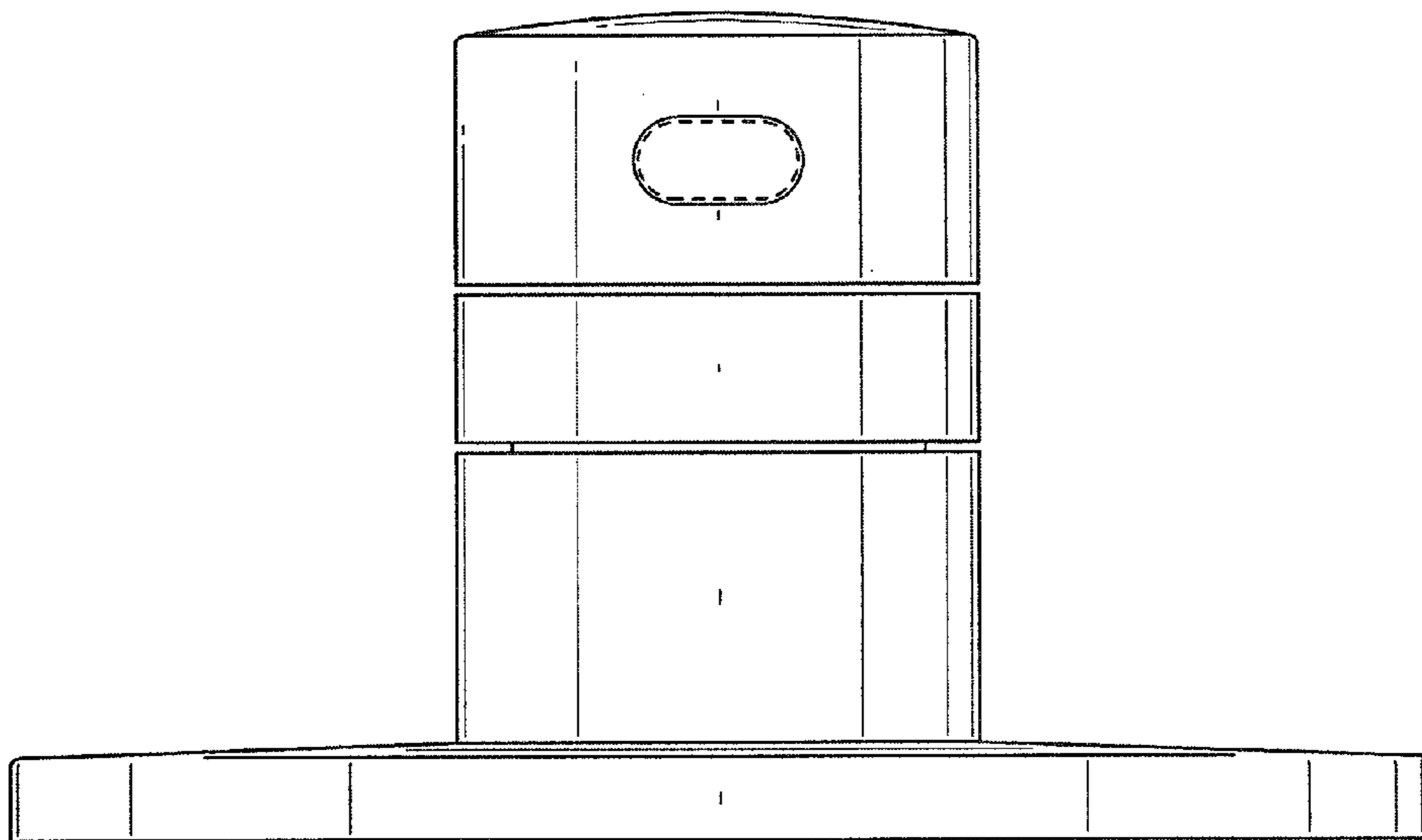


FIG. 4

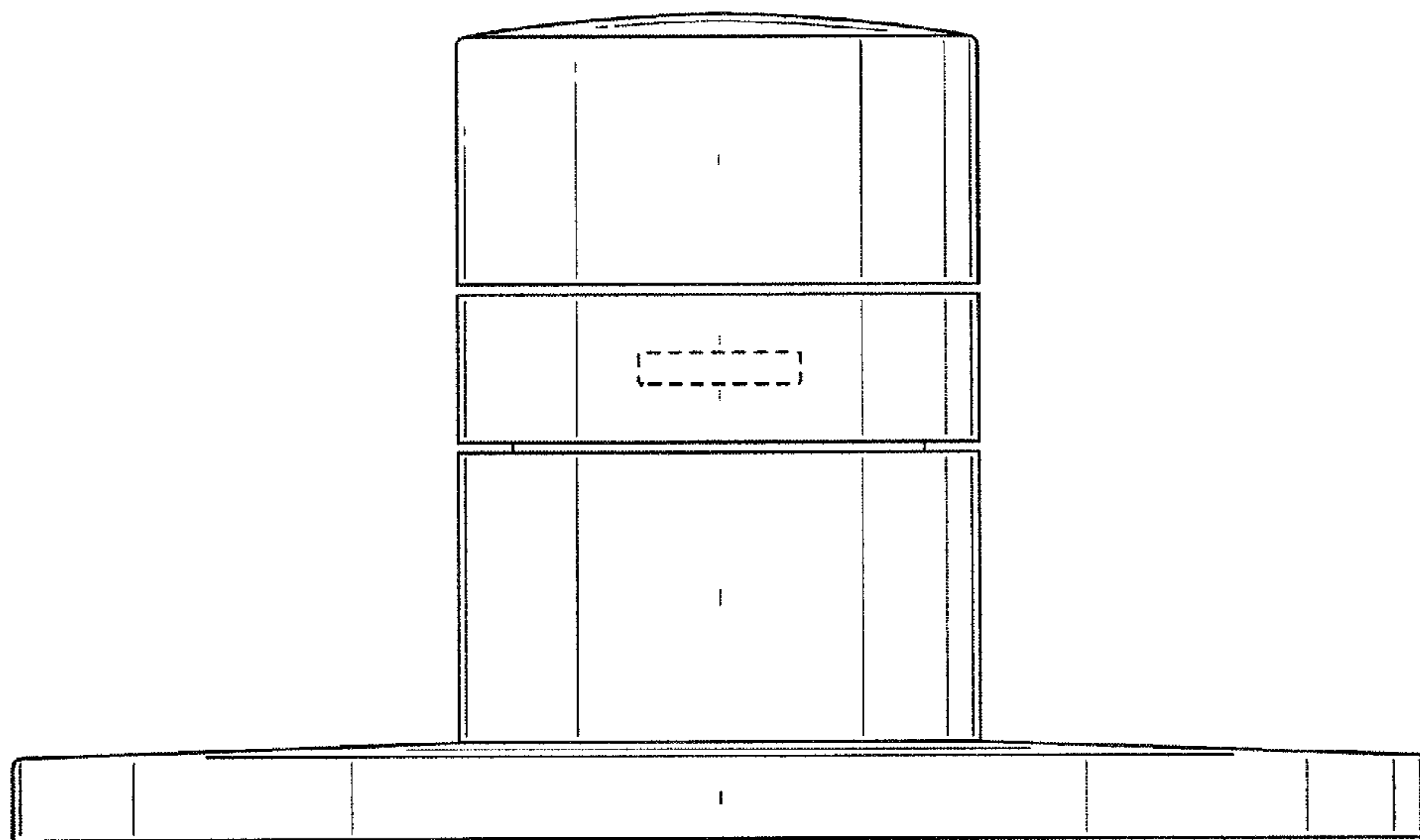


FIG. 5

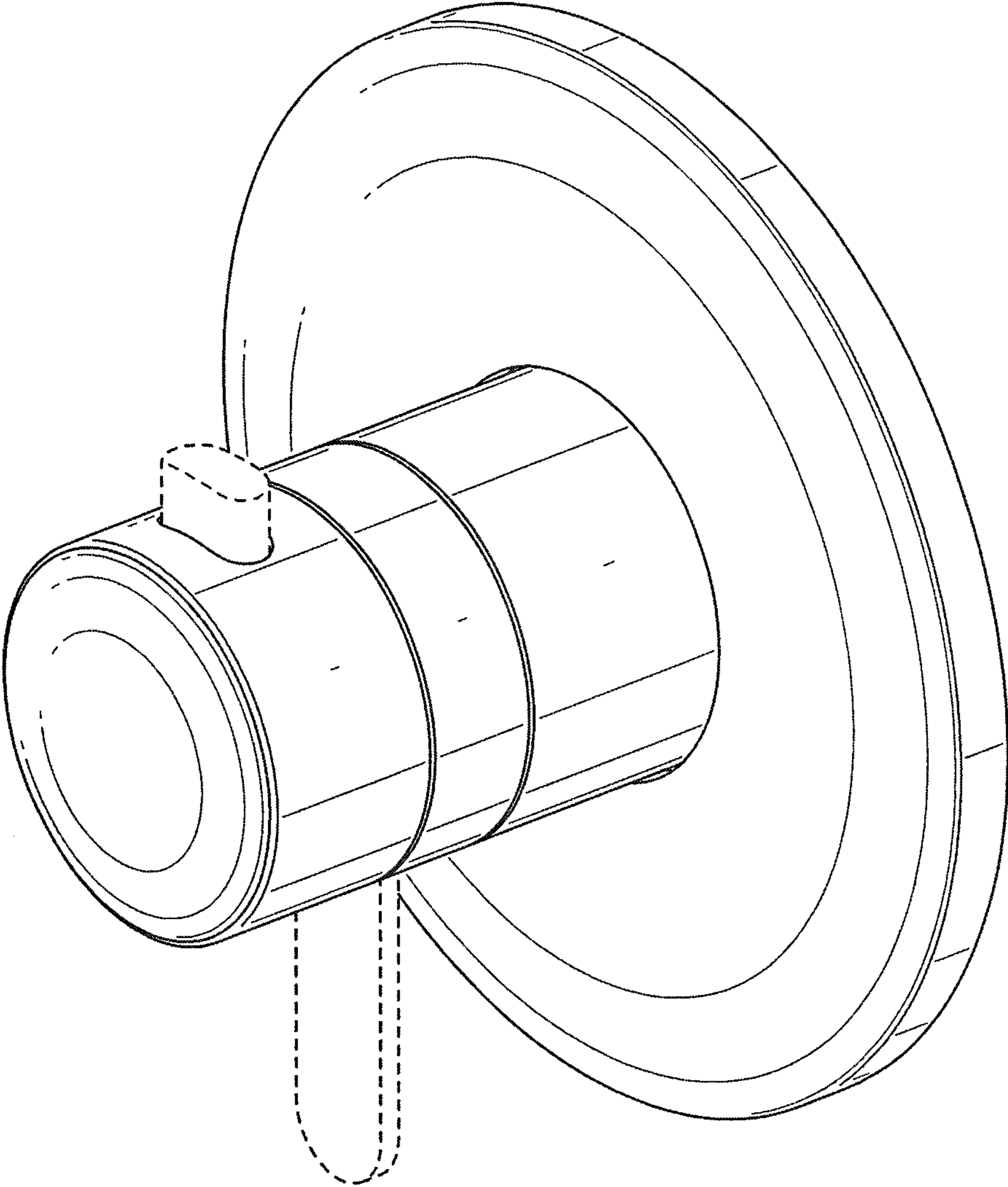


FIG. 6