



US00D679779S

(12) **United States Design Patent**
Reid

(10) **Patent No.:** **US D679,779 S**

(45) **Date of Patent:** **** Apr. 9, 2013**

(54) **FILTER FOR LIQUID**

(75) Inventor: **Roger P. Reid**, Caldwell, ID (US)

(73) Assignee: **Omnipure Filter Company, Inc.**,
Caldwell, ID (US)

(**) Term: **14 Years**

(21) Appl. No.: **29/356,845**

(22) Filed: **Mar. 3, 2010**

(51) **LOC (9) Cl.** **23-01**

(52) **U.S. Cl.**

USPC **D23/209**; D23/247

(58) **Field of Classification Search** D23/200,
D23/207, 209, 210, 233–237, 244–249, 259–269,
D23/310; 210/234–236

See application file for complete search history.

(56) **References Cited**

U.S. PATENT DOCUMENTS

D93,910	S	*	11/1934	Camp	D23/209
1,999,913	A		4/1935	Merritt	210/440
2,568,196	A		9/1951	Kennedy	210/131
2,991,885	A		7/1961	Gutkowski		
3,107,601	A		10/1963	Longmire	99/330
3,287,031	A		11/1966	Simmons		
3,397,135	A		8/1968	Otto	204/276
3,685,539	A		8/1972	Warren	137/565
3,753,495	A		8/1973	Bjork	210/206

(Continued)

FOREIGN PATENT DOCUMENTS

AU	200210174	A1	2/2002
DE	198 27 297	A1	12/1999

(Continued)

OTHER PUBLICATIONS

English Language version of Abstract of DE 19925297.

(Continued)

Primary Examiner — Garth Rademaker

(74) *Attorney, Agent, or Firm* — Pedersen and Company, PLLC; Ken J. Pedersen; Barbara S. Pedersen

(57) **CLAIM**

The ornamental design for a filter for liquid, as shown and described.

DESCRIPTION

FIG. 1 is a perspective view of a first embodiment of a filter for liquid showing the design.

FIG. 2 is a left side view thereof.

FIG. 3 is a front view thereof.

FIG. 4 is a right side view thereof.

FIG. 5 is a rear view thereof.

FIG. 6 is a top view thereof.

FIG. 7 is a bottom view thereof.

FIG. 8 is a perspective view of a second embodiment of a filter for liquid showing the design.

FIG. 9 is a left side view thereof.

FIG. 10 is a front view thereof.

FIG. 11 is a right side view thereof.

FIG. 12 is a rear view thereof.

FIG. 13 is a top view thereof.

FIG. 14 is a bottom view thereof.

FIG. 15 is a perspective view of a third embodiment of a filter for liquid showing the design.

FIG. 16 is a left side view thereof.

FIG. 17 is a front view thereof.

FIG. 18 is a right side view thereof.

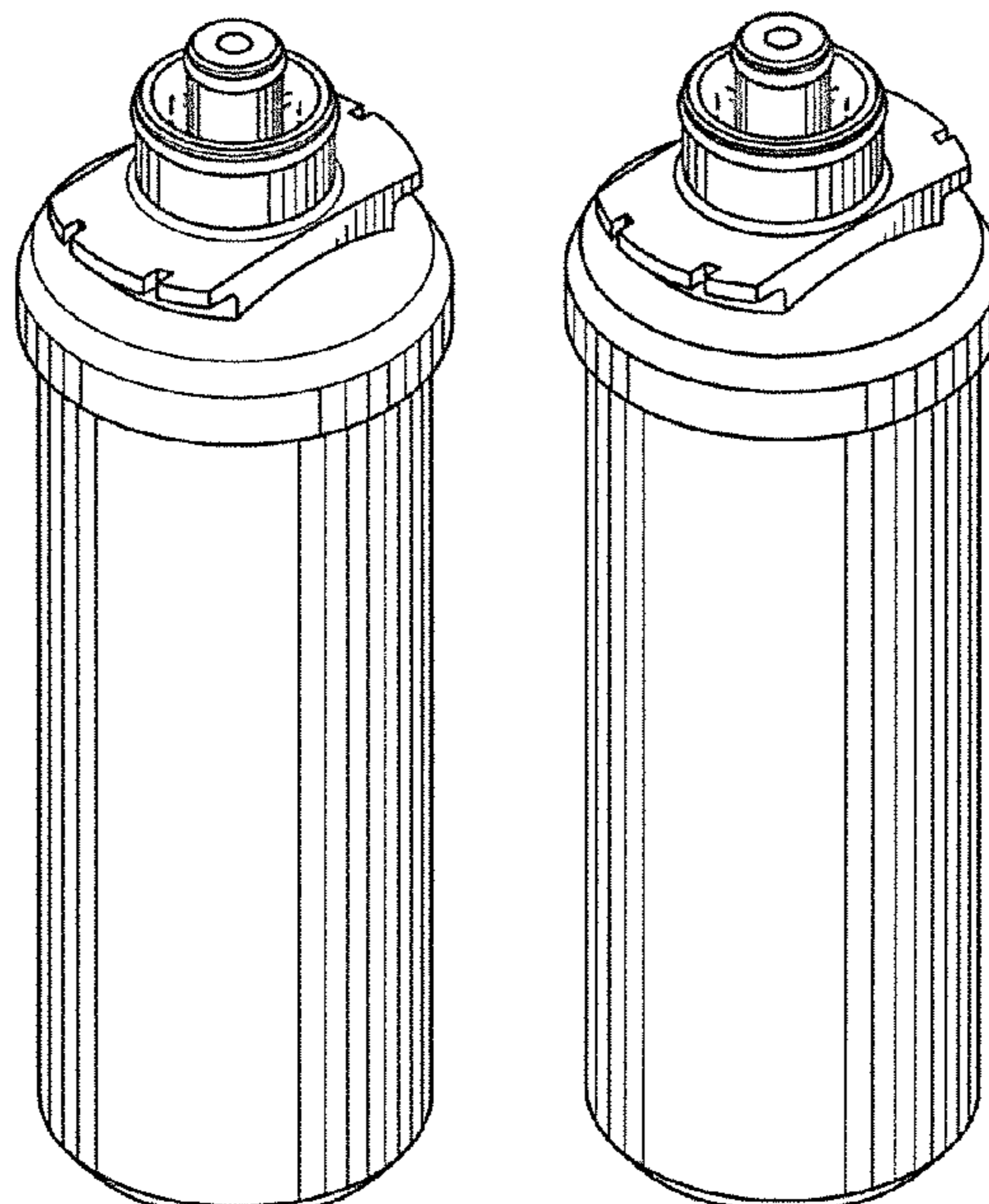
FIG. 19 is a rear view thereof.

FIG. 20 is a top view thereof; and,

FIG. 21 is a bottom view thereof.

The broken line areas of the figures show environmental matter and form no part of the claimed design.

1 Claim, 6 Drawing Sheets



US D679,779 S

Page 2

U.S. PATENT DOCUMENTS

3,950,251	A	4/1976	Hiller	210/232
4,211,439	A	7/1980	Moldestad	285/27
4,267,042	A	5/1981	Hoffmann	210/440
D288,348	S *	2/1987	Maddock	D23/207
4,857,191	A	8/1989	Wolf	210/286
4,877,521	A	10/1989	Petrucci et al.	210/440
4,948,505	A	8/1990	Petrucci et al.	210/238
4,956,086	A	9/1990	Thomsen et al.	210/440
5,017,285	A	5/1991	Janik et al.	210/232
5,035,797	A	7/1991	Janik	210/232
5,092,999	A	3/1992	Valenzuela et al.	210/321.72
5,108,598	A	4/1992	Posner	210/232
5,114,572	A	5/1992	Hunter et al.	210/120
RE34,031	E	8/1992	Thomsen et al.	210/232
RE34,050	E	9/1992	Thomsen et al.	210/232
5,186,829	A	2/1993	Janik	210/232
5,236,579	A	8/1993	Janik et al.	210/94
5,342,518	A	8/1994	Posner et al.	210/232
5,397,462	A	3/1995	Higashijima et al.	210/136
5,486,288	A	1/1996	Stanford et al.	210/443
5,651,887	A	7/1997	Posner et al.	210/232
5,766,463	A	6/1998	Janik et al.	210/440
5,837,137	A	11/1998	Janik	210/232
5,925,245	A	7/1999	Bradford et al.	210/232
6,001,249	A	12/1999	Bailey et al.	210/232
6,048,455	A	4/2000	Janik	210/440
6,068,770	A	5/2000	Niermeyer et al.	210/447
6,080,313	A	6/2000	Kelada	210/631
6,187,188	B1	2/2001	Janik et al.	210/440
6,277,277	B1	8/2001	Jacobi	210/240
6,348,149	B1	2/2002	Jenkins	210/173
6,458,269	B1	10/2002	Bassett et al.	210/444
6,579,455	B1	6/2003	Muzik et al.	210/234
6,695,891	B2	2/2004	Reid	55/495
6,776,906	B2	8/2004	Reid	210/232
6,843,912	B2	1/2005	Chaney	210/234
6,926,826	B2	8/2005	Reid	210/232
6,977,006	B2	12/2005	Reid	55/495
7,138,052	B2	11/2006	Reid	210/232

7,172,693	B2	2/2007	Reid	210/232
7,186,337	B2	3/2007	Reid	
D570,951	S *	6/2008	Morita et al.	D23/209
7,476,314	B2	1/2009	Reid	210/232
7,476,315	B2	1/2009	Reid	210/232
D599,880	S *	9/2009	Rampen et al.	D23/209
D614,257	S *	4/2010	Kojima	D23/200
D656,578	S *	3/2012	Sherman et al.	D23/209
D656,579	S *	3/2012	Sherman et al.	D23/209
2004/0222145	A1	11/2004	Onoue et al.	210/435
2011/0203985	A1 *	8/2011	Reid	210/236

FOREIGN PATENT DOCUMENTS

DE	19827297	12/1999
DE	19925297	7/2000
DE	199 60 600 A1	6/2001
EP	0 231 862 A2	1/1987
EP	0 269 054	6/1988
EP	0 278 771 A1	8/1988
EP	0 580 501 B1	7/1993
EP	0 877 100 A1	11/1998
GB	771968	10/1955
KR	99086940 A	12/1999
WO	WO 94/02407	3/1994
WO	WO 97/45362	4/1997
WO	WP 01/64312 A1	9/2001
WO	WP 01 83079	9/2001
WO	WO 01/80967 A1	11/2001
WO	WO 02/13944	2/2002
WO	WO 03/031020 A1	4/2003
WO	WO 03/072220 A1	9/2003

OTHER PUBLICATIONS

PCT interim Search Report for PCT/US01/25307, mailed May 22, 2002.
PCT Interim Preliminary Examination Report for PCT/US01/25307, mailed Jun. 6, 2003.

* cited by examiner

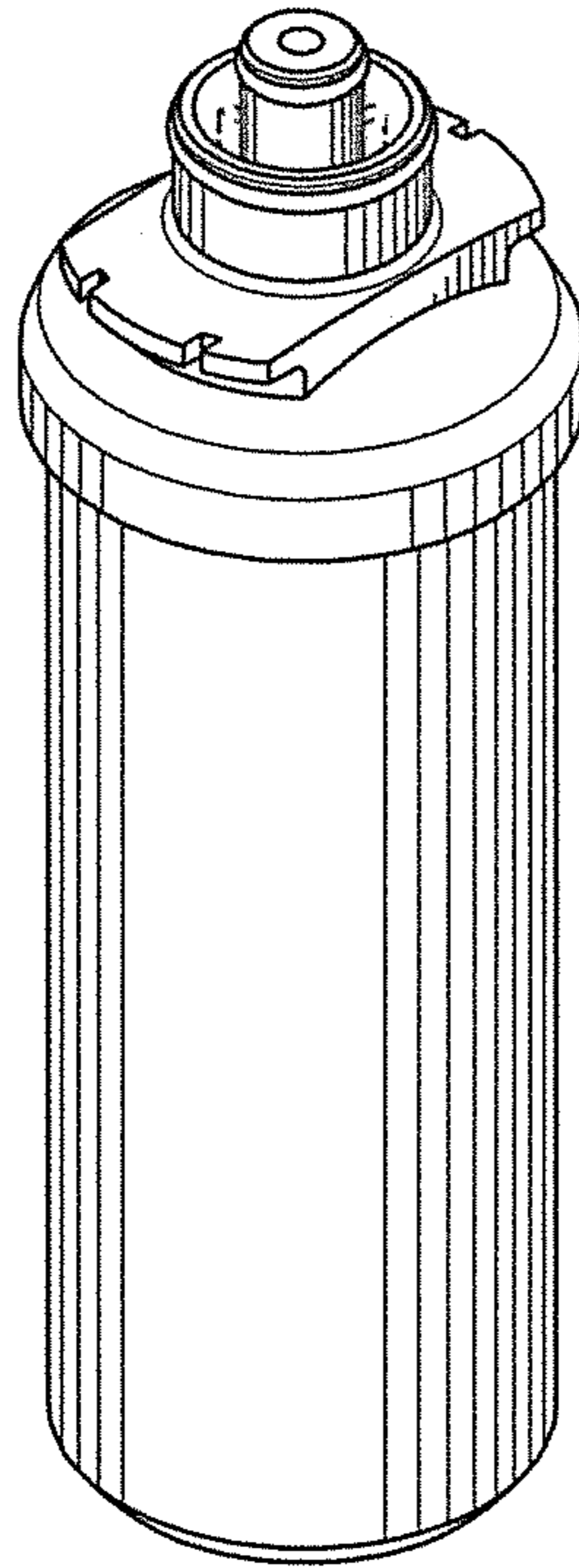


Fig. 1

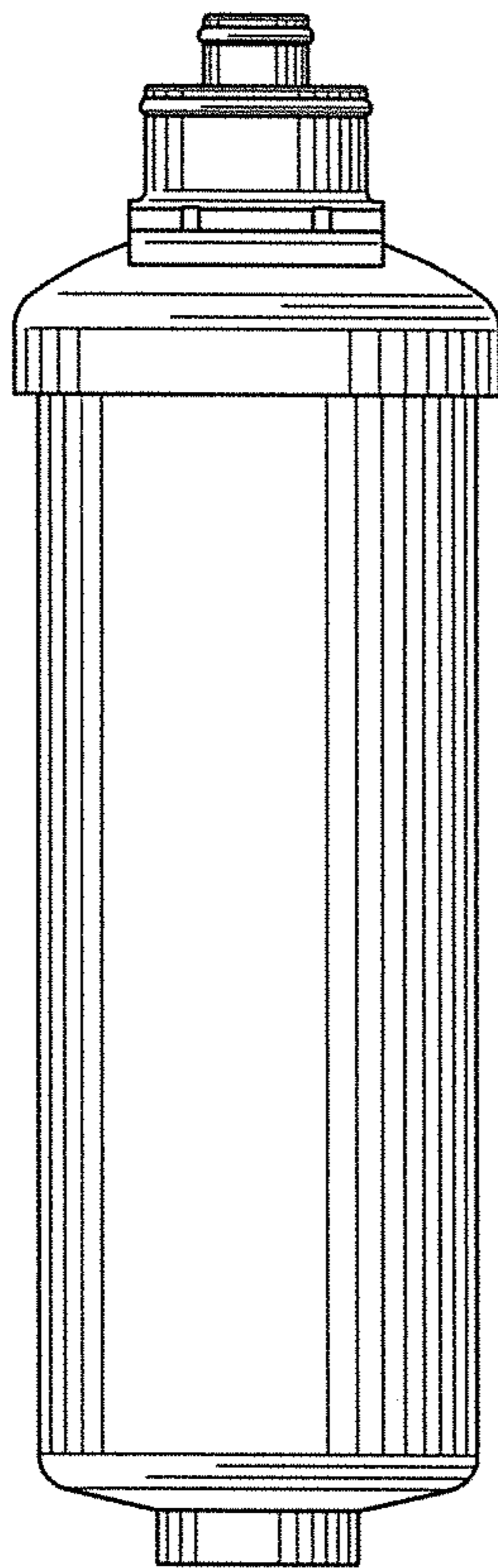


Fig. 2

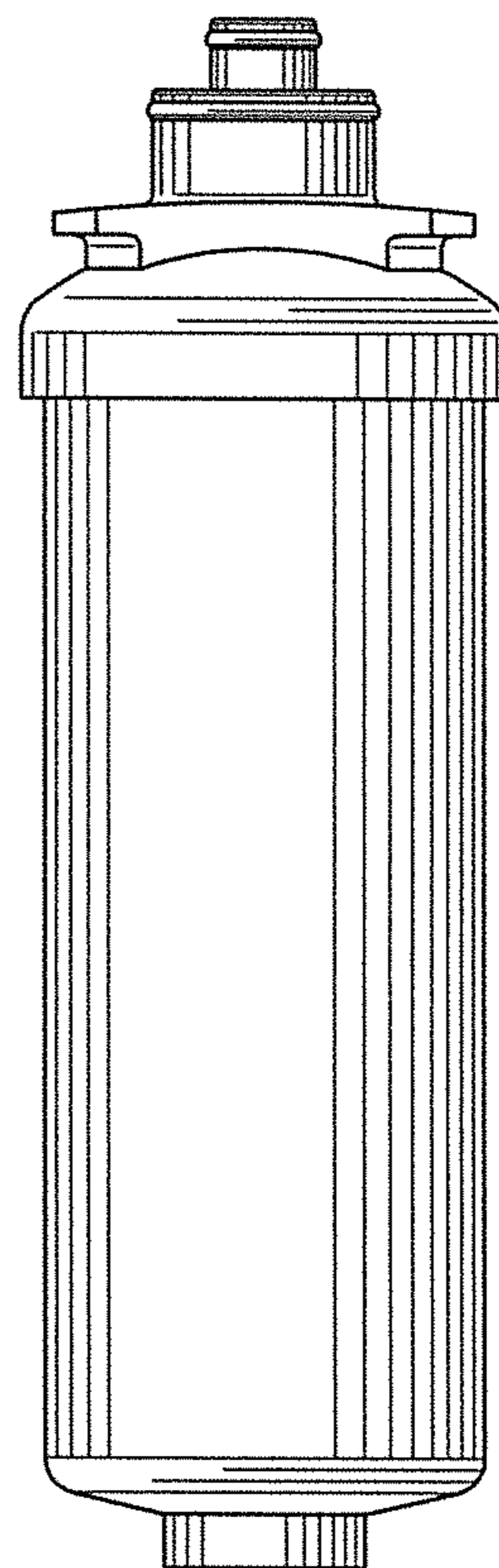


Fig. 3

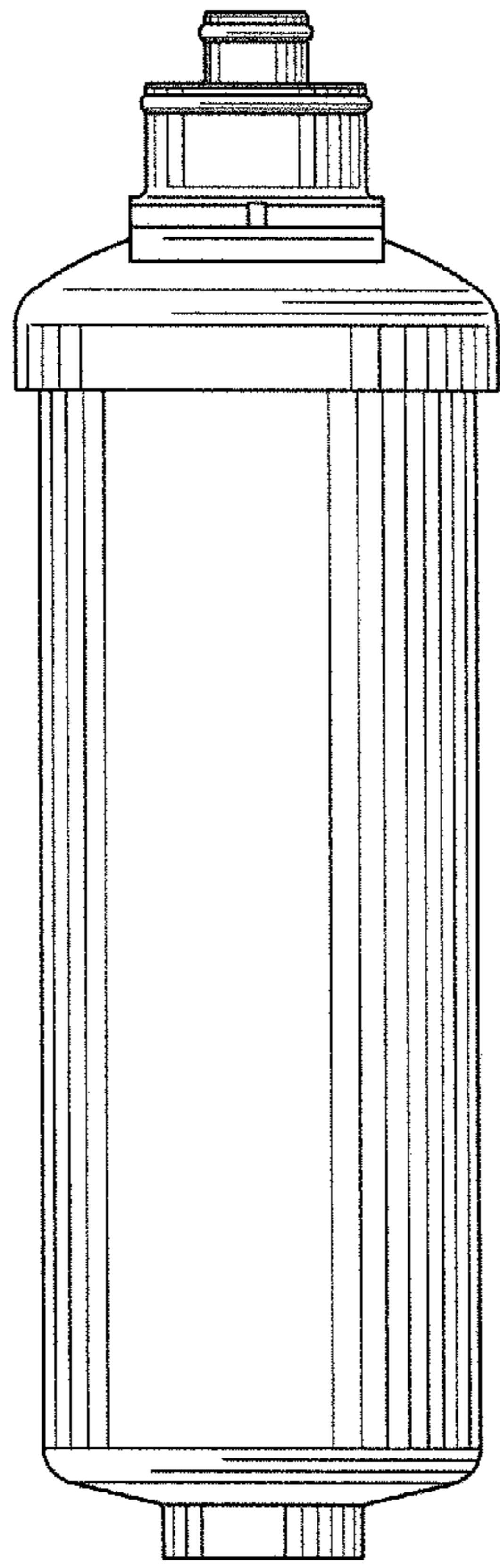


Fig. 4

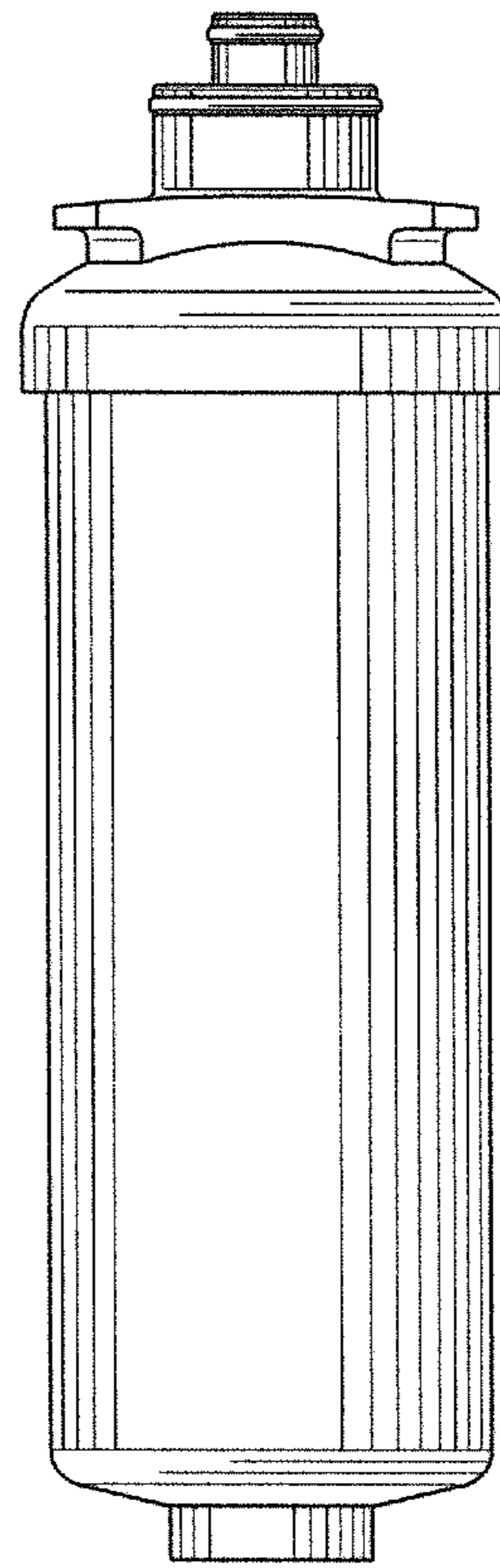


Fig. 5

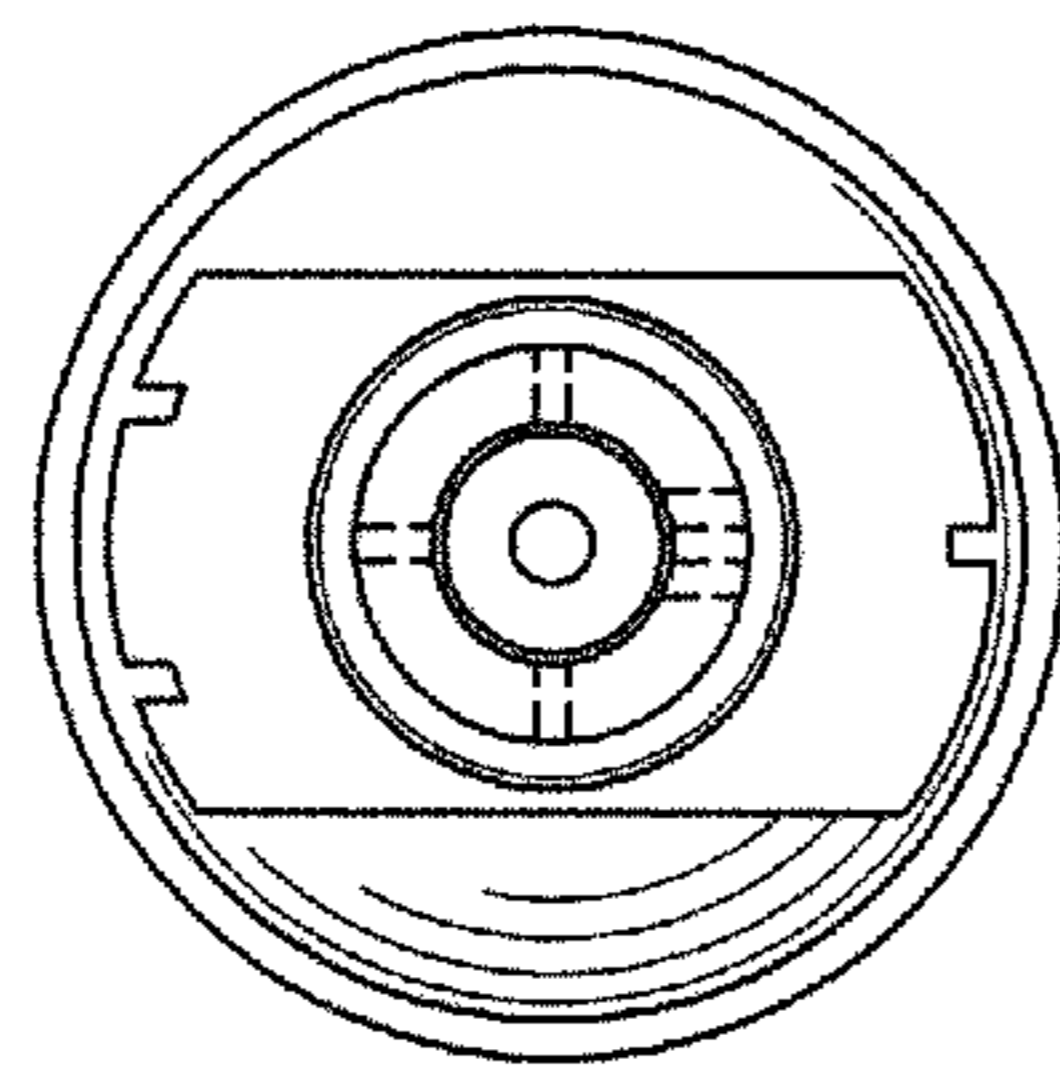


Fig. 6

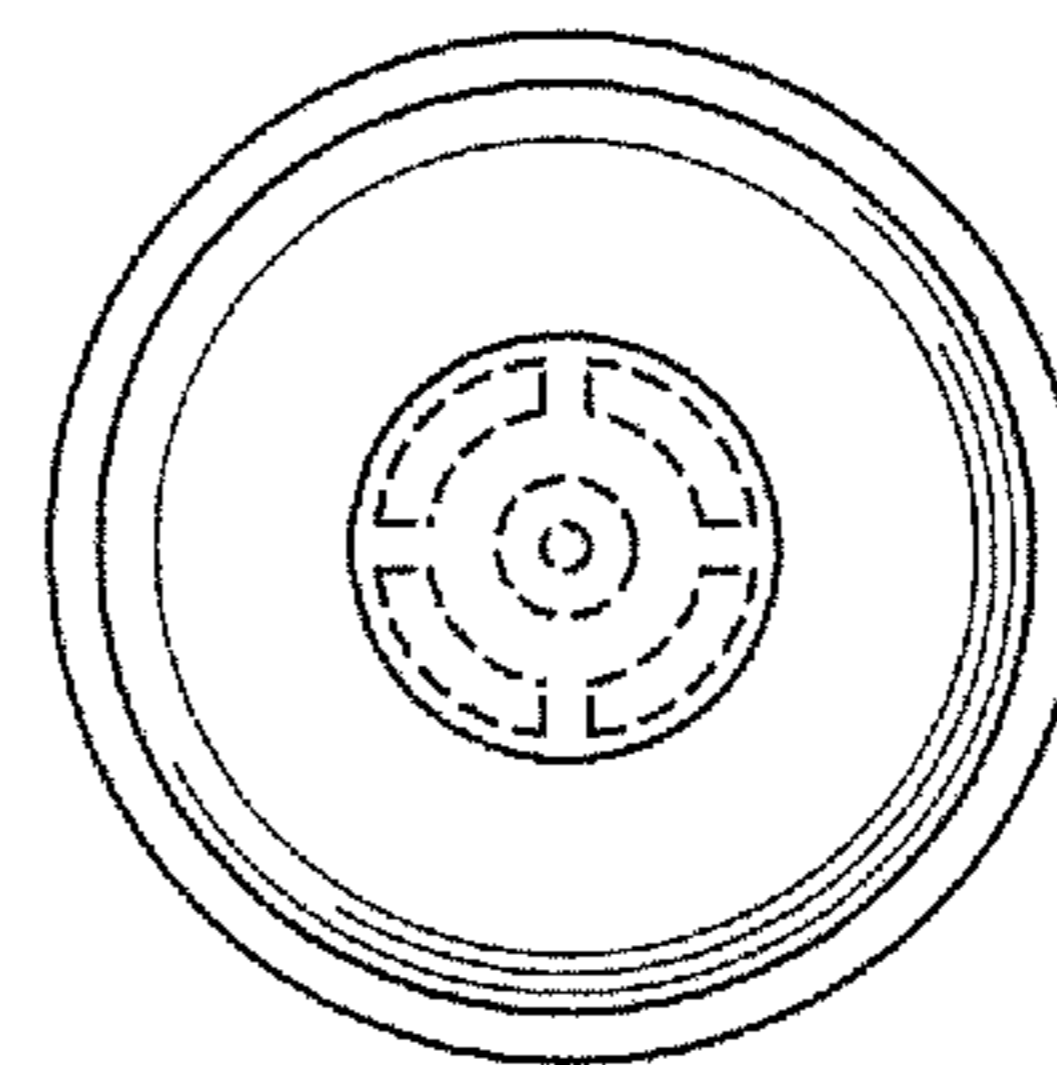


Fig. 7

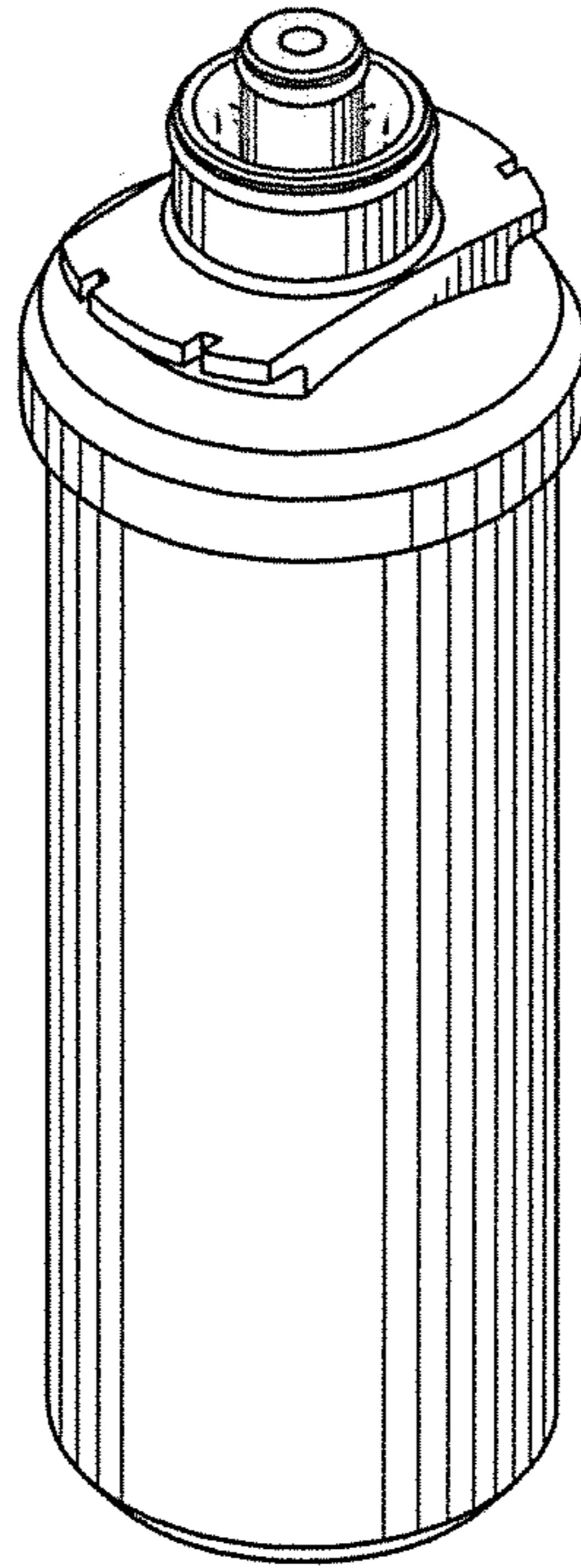


Fig. 8

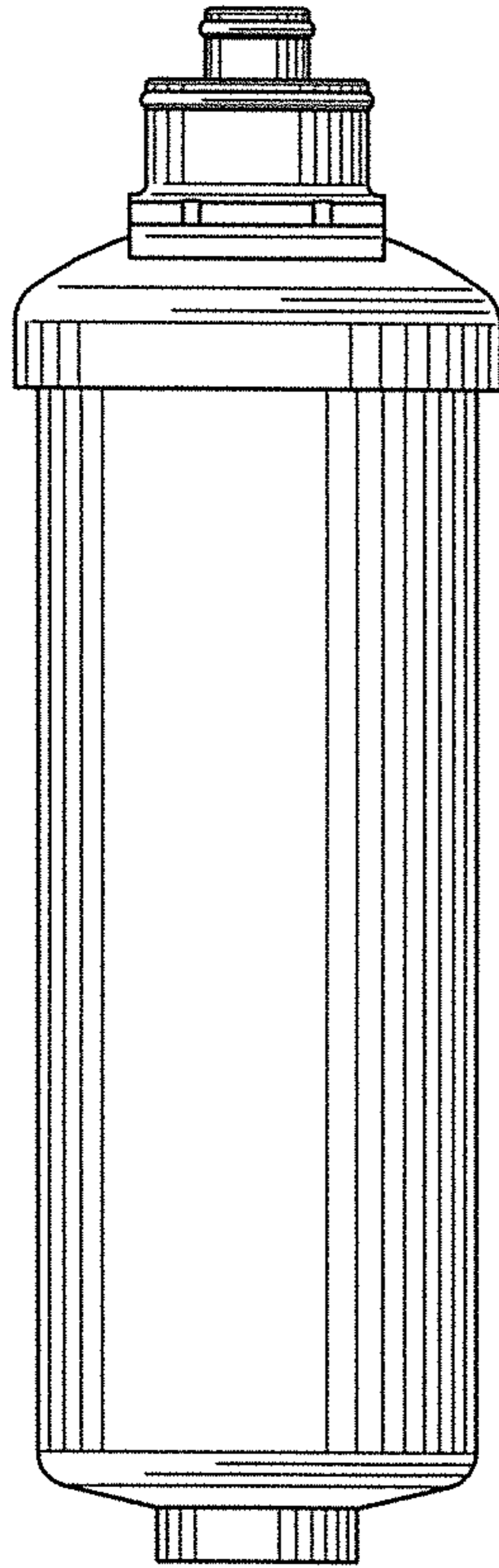


Fig. 9

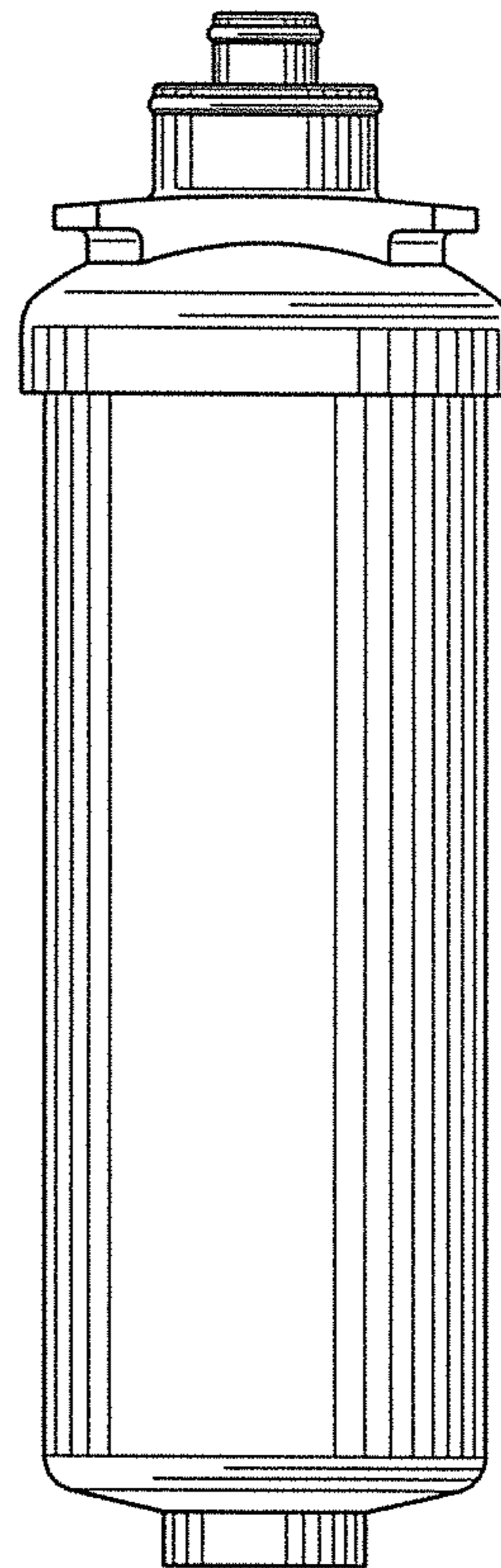


Fig. 10

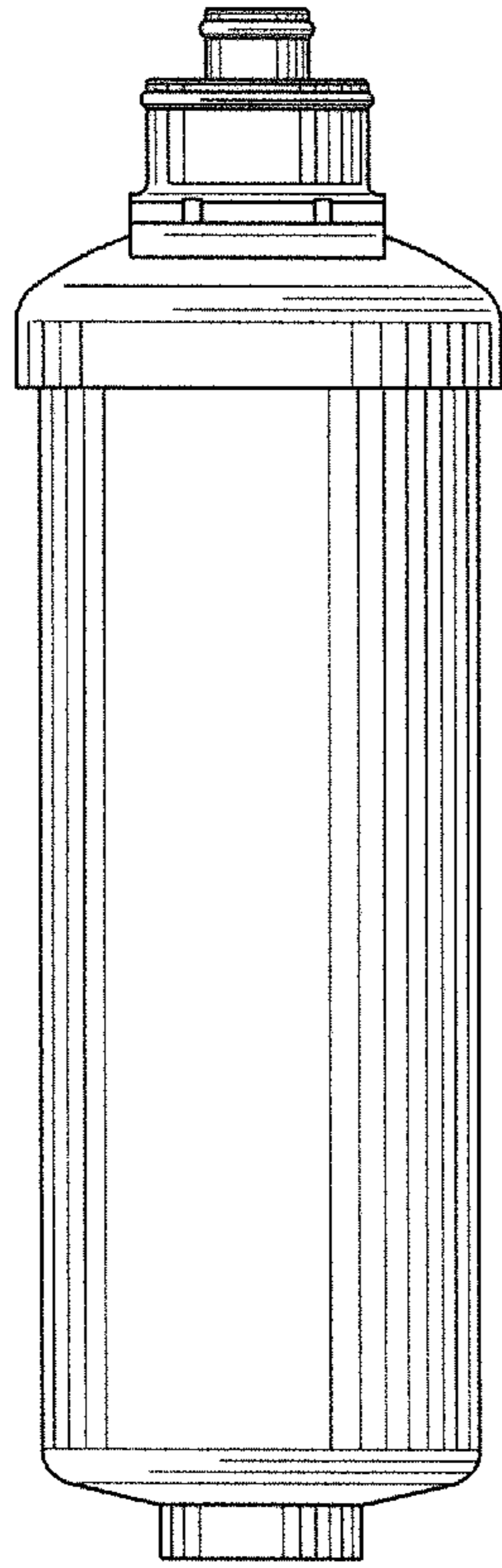


Fig. 11

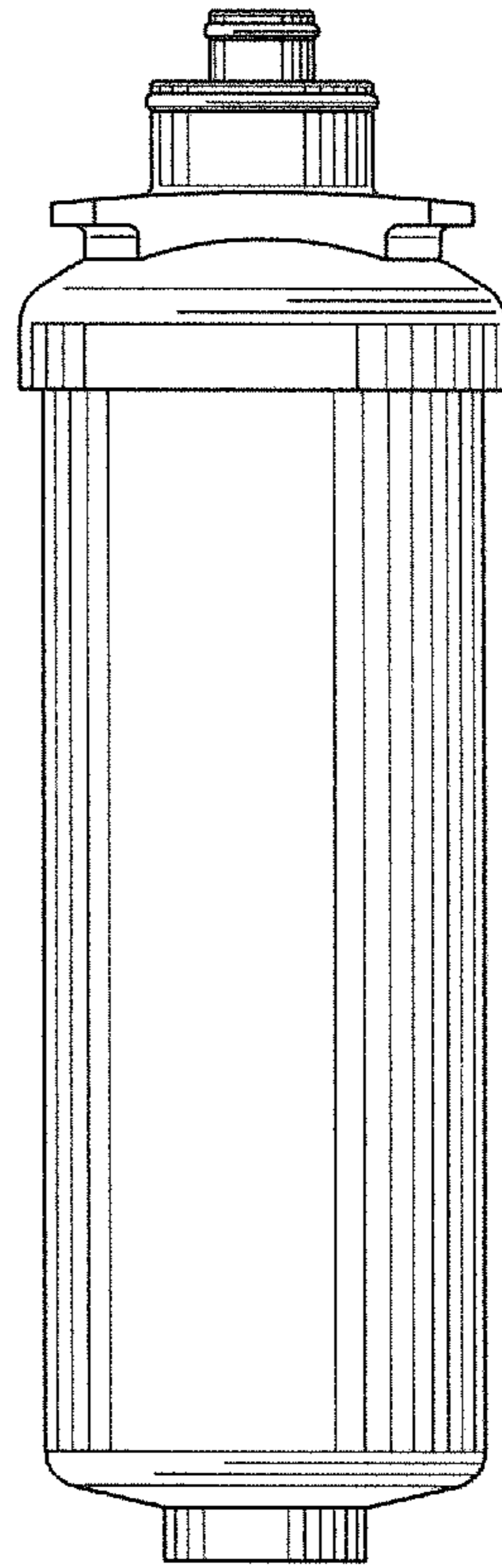


Fig. 12

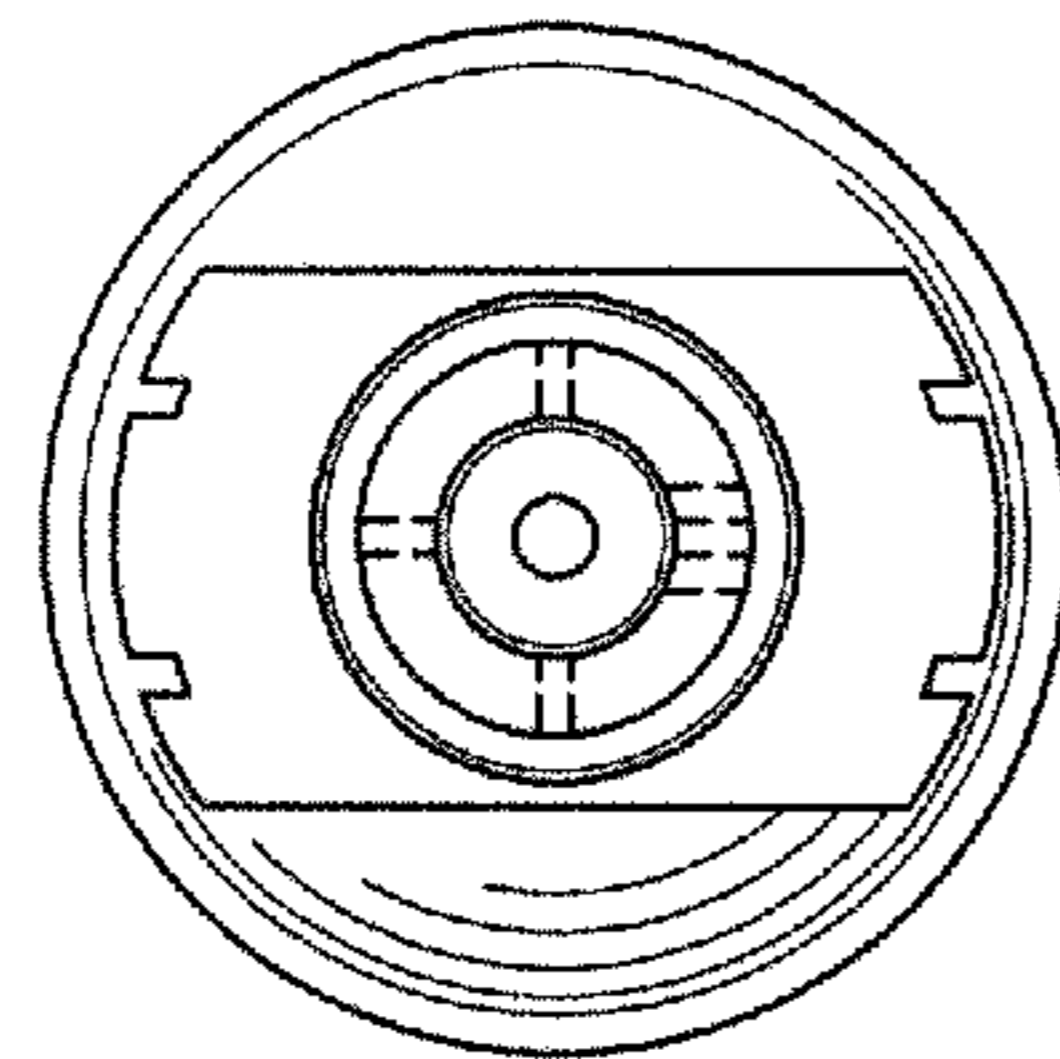


Fig. 13

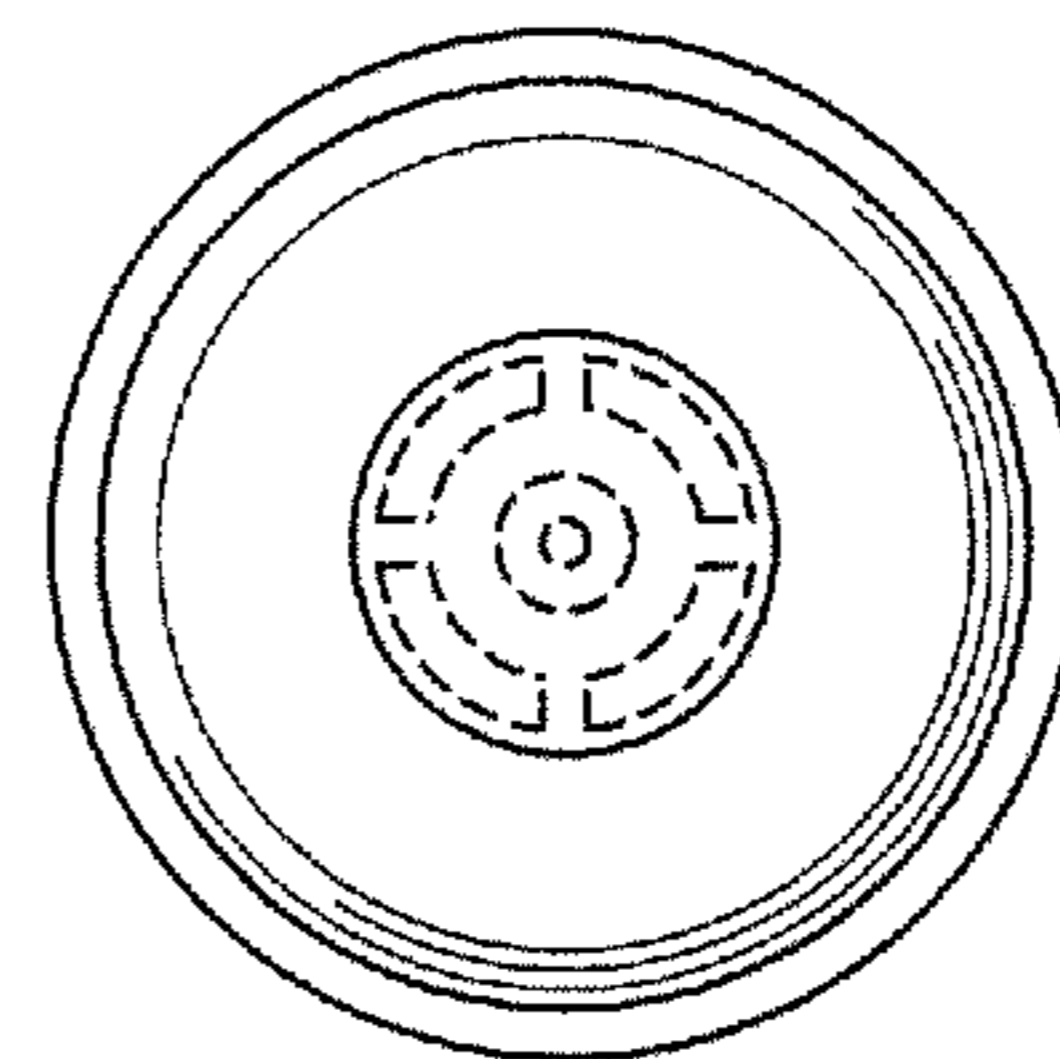


Fig. 14

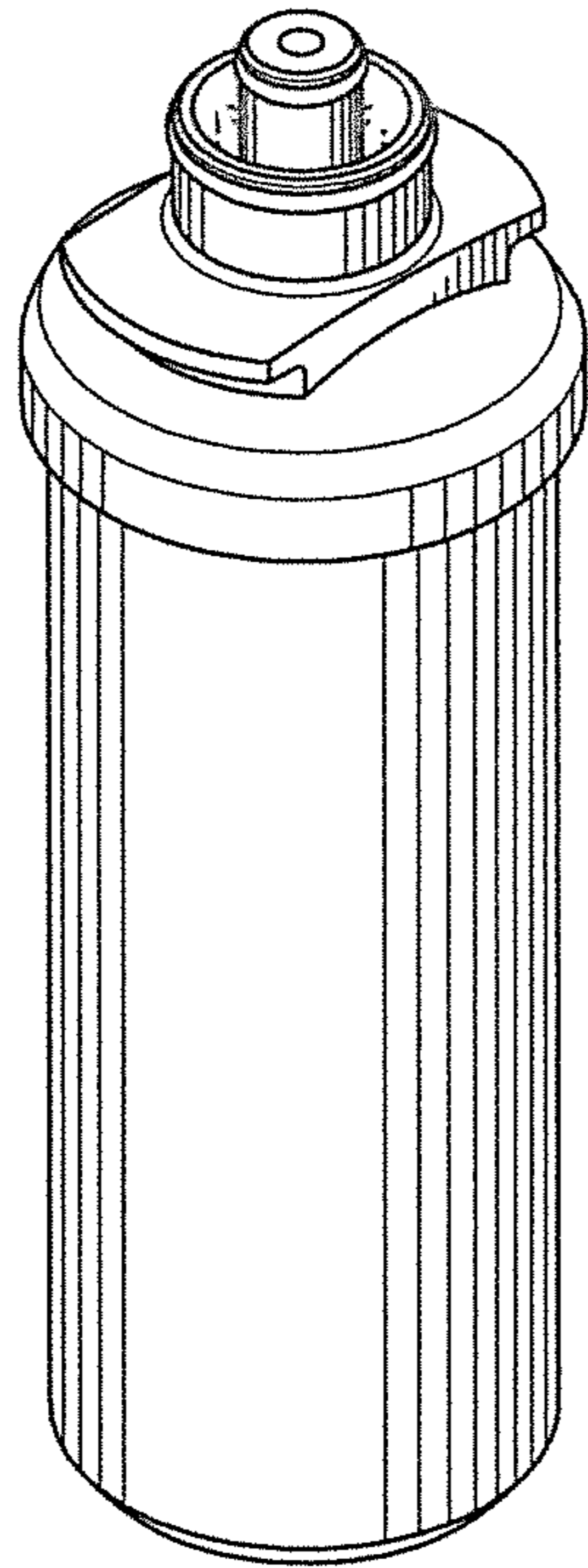


Fig. 15

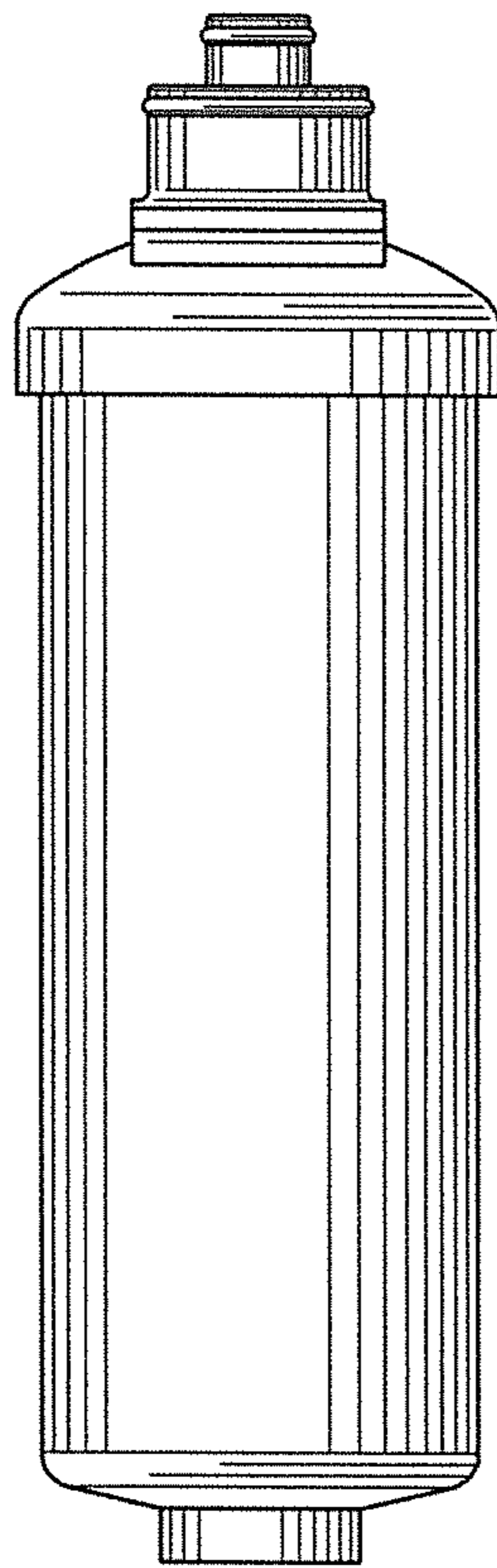


Fig. 16

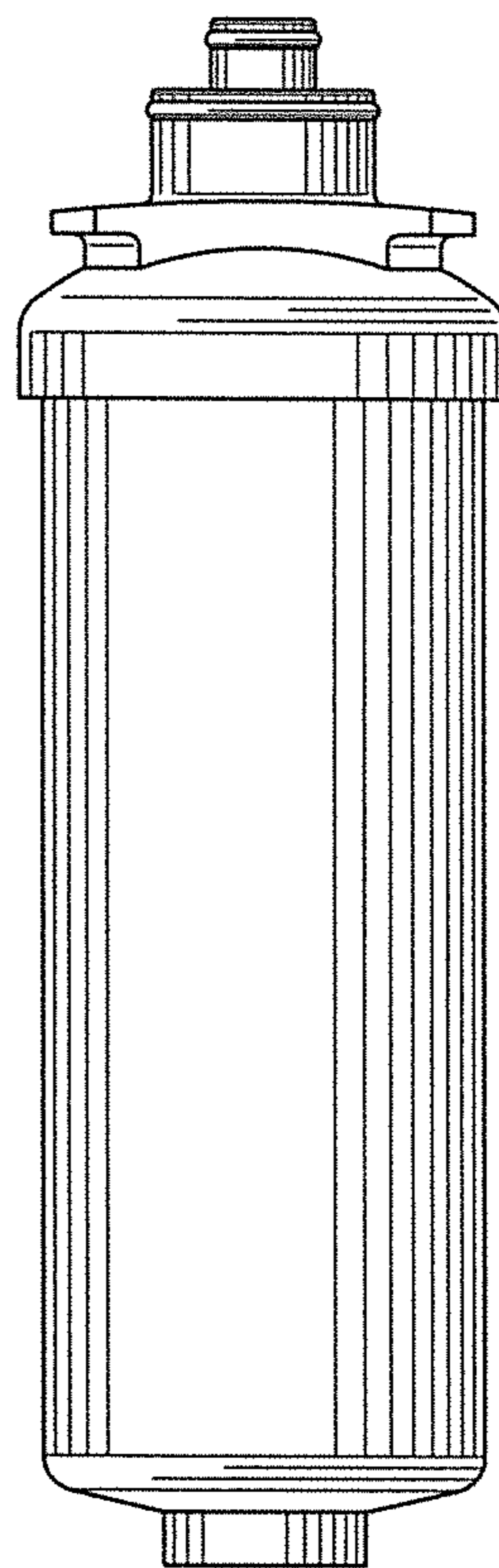


Fig. 17

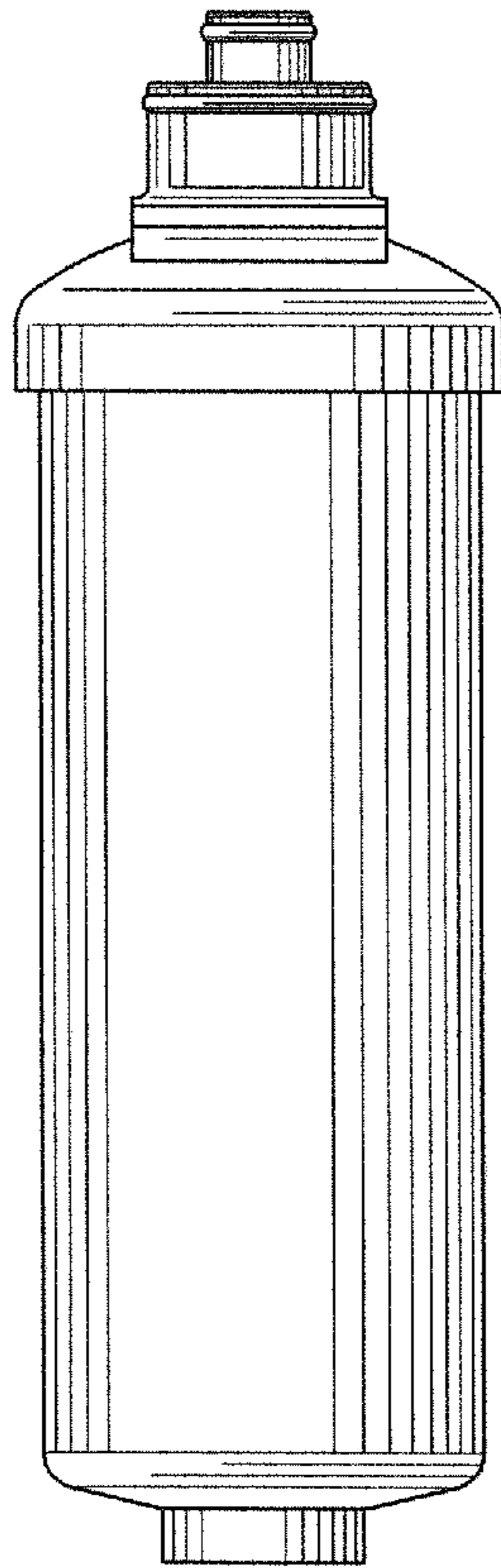


Fig. 18

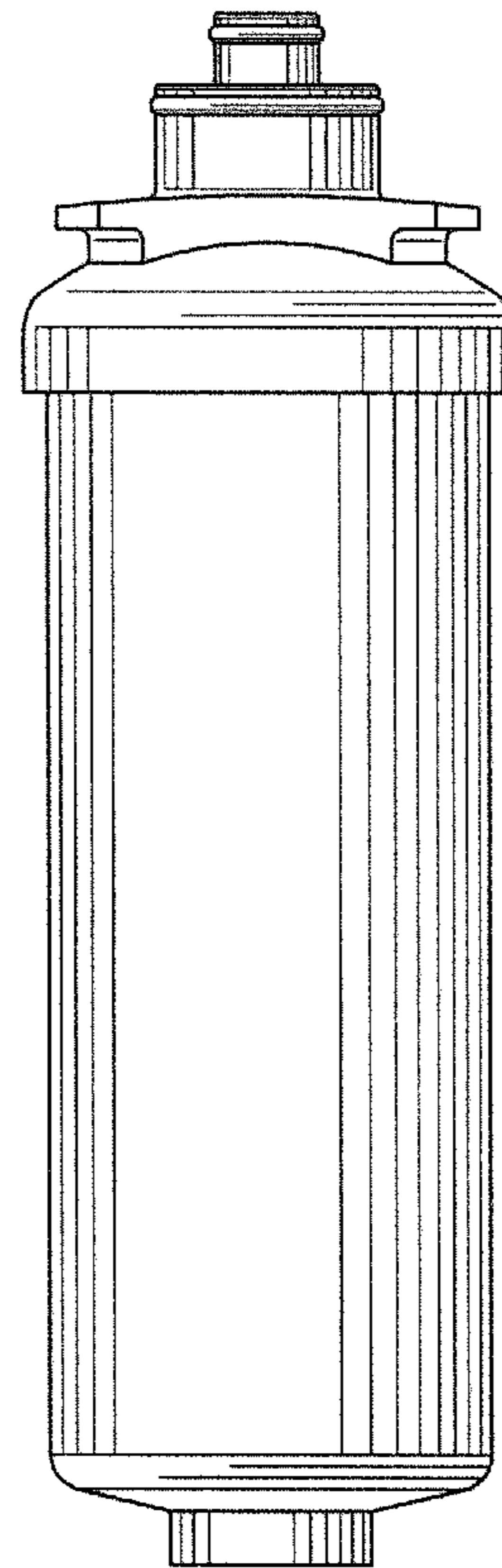


Fig. 19

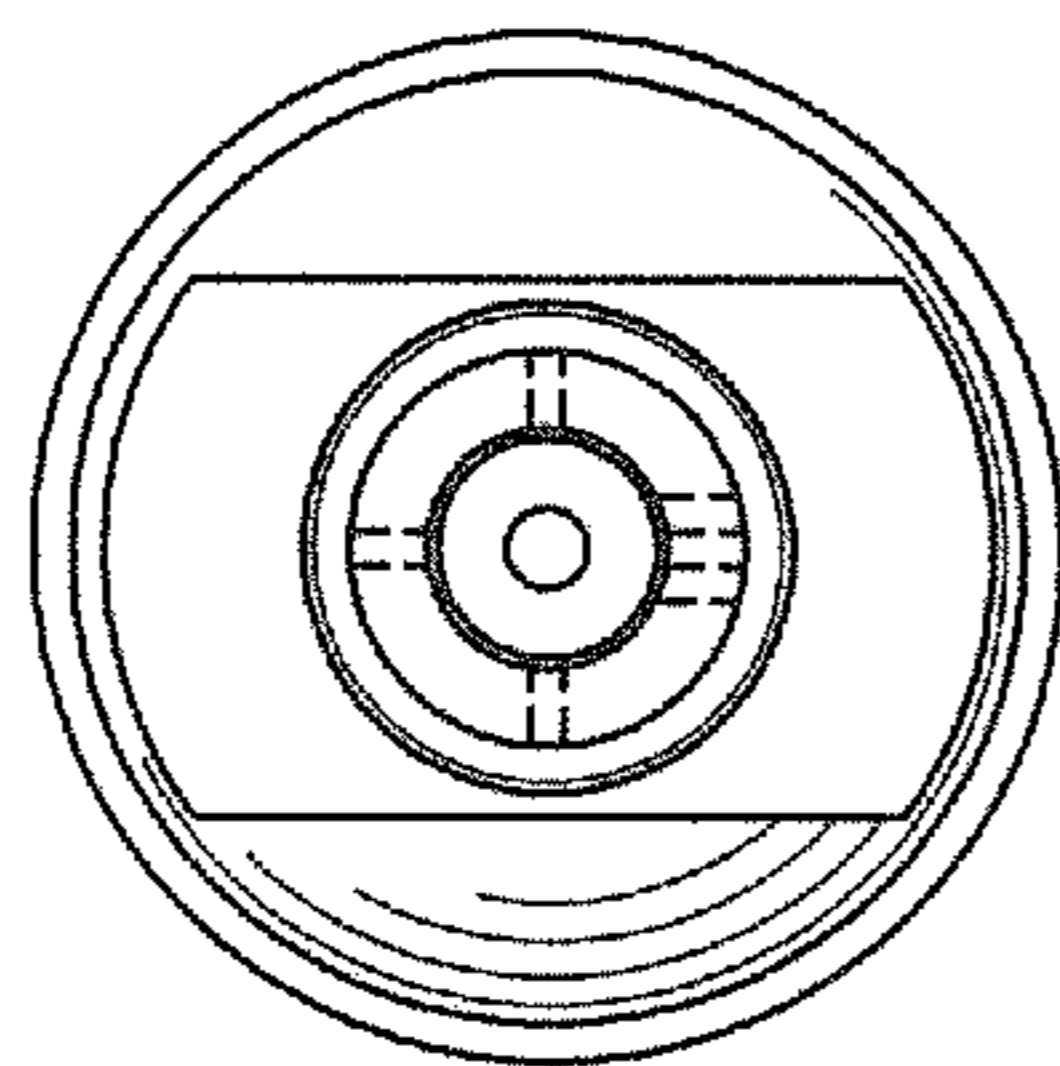


Fig. 20

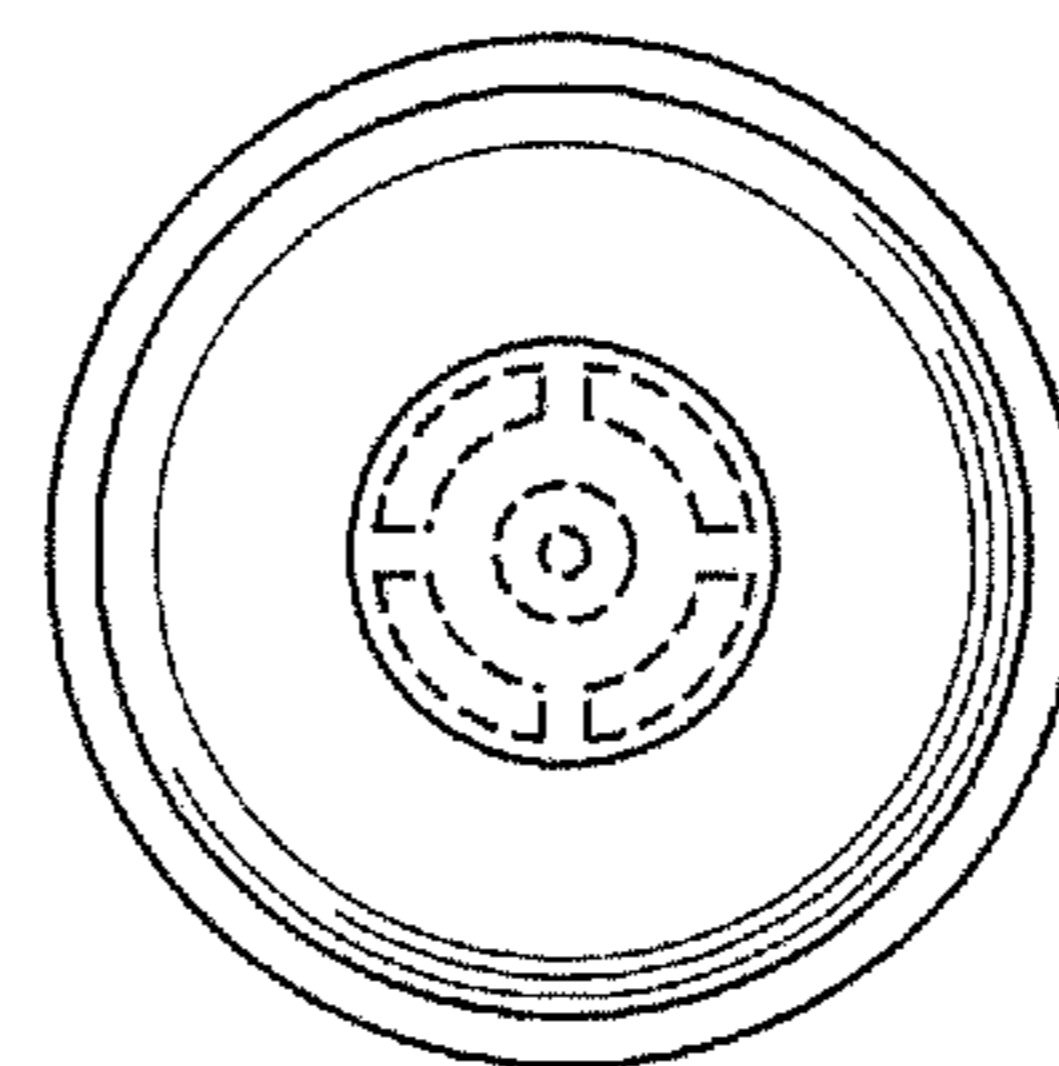


Fig. 21