



US00D679776S

(12) **United States Design Patent**
Bracken et al.

(10) **Patent No.:** **US D679,776 S**
(45) **Date of Patent:** **** Apr. 9, 2013**

- (54) **RETICLE FOR AN OPTICAL AIMING DEVICE**
- (75) Inventors: **William J. Bracken**, Colbert, GA (US);
Michael T. Litt, Westminster, SC (US);
Arthur K. Brown, Hartwell, GA (US);
Kevin Stockdill, Orofino, ID (US)
- (73) Assignee: **Lightforce USA, Inc.**, Orofino, ID (US)
- (**) Term: **14 Years**
- (21) Appl. No.: **29/407,647**
- (22) Filed: **Nov. 30, 2011**
- (51) **LOC (9) Cl.** **22-01**
- (52) **U.S. Cl.** **D22/109; D22/108**
- (58) **Field of Classification Search** D22/108-109;
250/467.1; D14/404; D16/130-133, 134-136;
356/21, 138, 139, 139.1, 139.02; 33/227,
33/297, 298, 299; 42/111, 113, 122, 124,
42/130, 134-135; 235/414; 89/19, 161,
89/200-204; 359/424, 428
See application file for complete search history.

- D506,520 S 6/2005 Timm et al.
- D517,153 S 3/2006 Timm et al.
- D522,030 S 5/2006 Jenkinson
- D530,775 S 10/2006 LaCorte
- D530,776 S 10/2006 LaCorte
- D532,477 S 11/2006 Zaderey et al.
- D533,615 S 12/2006 Sisk et al.
- D536,762 S 2/2007 Timm et al.
- 7,185,455 B2 3/2007 Zaderey
- D542,879 S 5/2007 Zaderey
- D567,324 S 4/2008 Pride et al.
- D567,325 S 4/2008 Pride et al.
- D567,896 S 4/2008 Pride et al.
- D570,441 S 6/2008 Pride et al.
- D587,333 S 2/2009 Peters et al.
- 7,603,804 B2 10/2009 Zaderey et al.
- D613,362 S 4/2010 Huber
- D613,363 S 4/2010 Huber
- D630,291 S 1/2011 Pride
- D631,125 S 1/2011 Huber

(Continued)

OTHER PUBLICATIONS

D. Andrew Kopas, Handbook of Standard Reticle Patterns by Manufacturer, Mar. 1, 2010, 82 pgs.

Primary Examiner — Michael A Pratt

(74) *Attorney, Agent, or Firm* — Wood, Herron & Evans, LLP

(56) **References Cited**

U.S. PATENT DOCUMENTS

- 3,190,003 A * 6/1965 O'Brien 33/297
- 3,392,450 A * 7/1968 Herter et al. 42/122
- 4,285,137 A * 8/1981 Jennie 42/122
- 4,584,776 A * 4/1986 Shepherd 42/122
- D285,540 S * 9/1986 Allen D10/74
- 4,789,231 A * 12/1988 Shimizu 359/422
- D306,173 S 2/1990 Reese
- 5,491,546 A * 2/1996 Wascher et al. 356/4.03
- D397,704 S 9/1998 Reese
- D403,686 S 1/1999 Reese
- 5,920,995 A * 7/1999 Sammut 42/122
- 6,032,374 A * 3/2000 Sammut 42/122
- 6,357,158 B1 * 3/2002 Smith, III 42/122
- D456,057 S 4/2002 Smith, III
- D475,758 S 6/2003 Ishikawa
- 6,591,537 B2 * 7/2003 Smith 42/122

(57) **CLAIM**

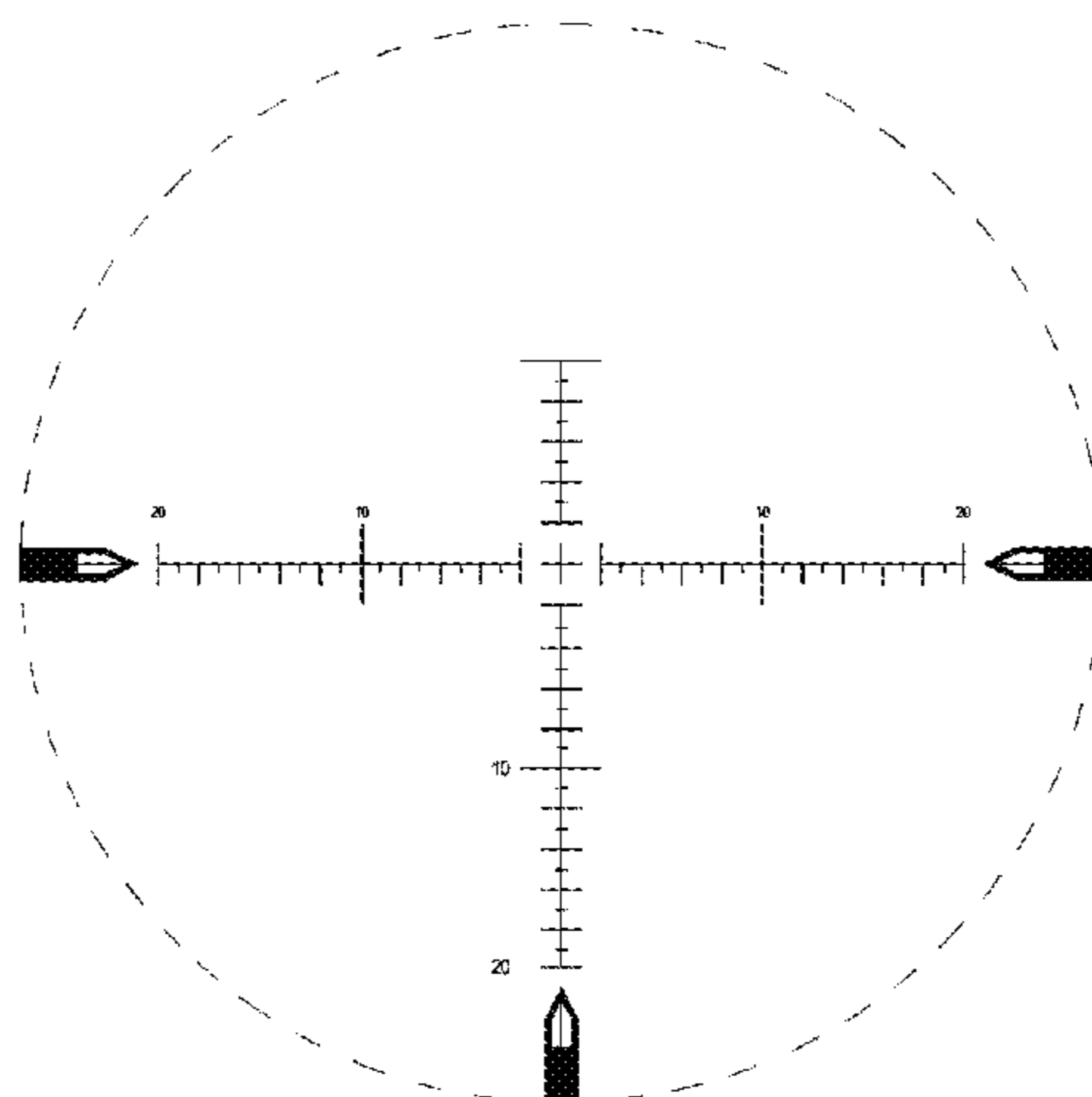
The ornamental design for a reticle for an optical aiming device, as shown and described.

DESCRIPTION

FIG. 1 is front plan view of a first embodiment of the reticle for an optical aiming device; and, FIG. 2 is an isometric view of the reticle for an optical aiming device shown in FIG. 1.

The dashed lines form no part of the claimed invention in this application and are instead included to show an unclaimed boundary of the design.

1 Claim, 2 Drawing Sheets



US D679,776 S

Page 2

U.S. PATENT DOCUMENTS

D632,754 S	2/2011	Pride	2004/0020099 A1	2/2004	Osborn	
7,946,073 B1	5/2011	Buck	2005/0005495 A1	1/2005	Smith	
D654,136 S	2/2012	Huber	2005/0229468 A1*	10/2005	Zaderey et al. 42/122
2001/0017730 A1	8/2001	Ruh	2005/0257414 A1	11/2005	Zaderey et al.	
2002/0124452 A1	9/2002	Sammut	2007/0044364 A1	3/2007	Sammut et al.	
2002/0129535 A1	9/2002	Osborn	2008/0098640 A1	5/2008	Sammut et al.	
2004/0016168 A1	1/2004	Thomas et al.				

* cited by examiner

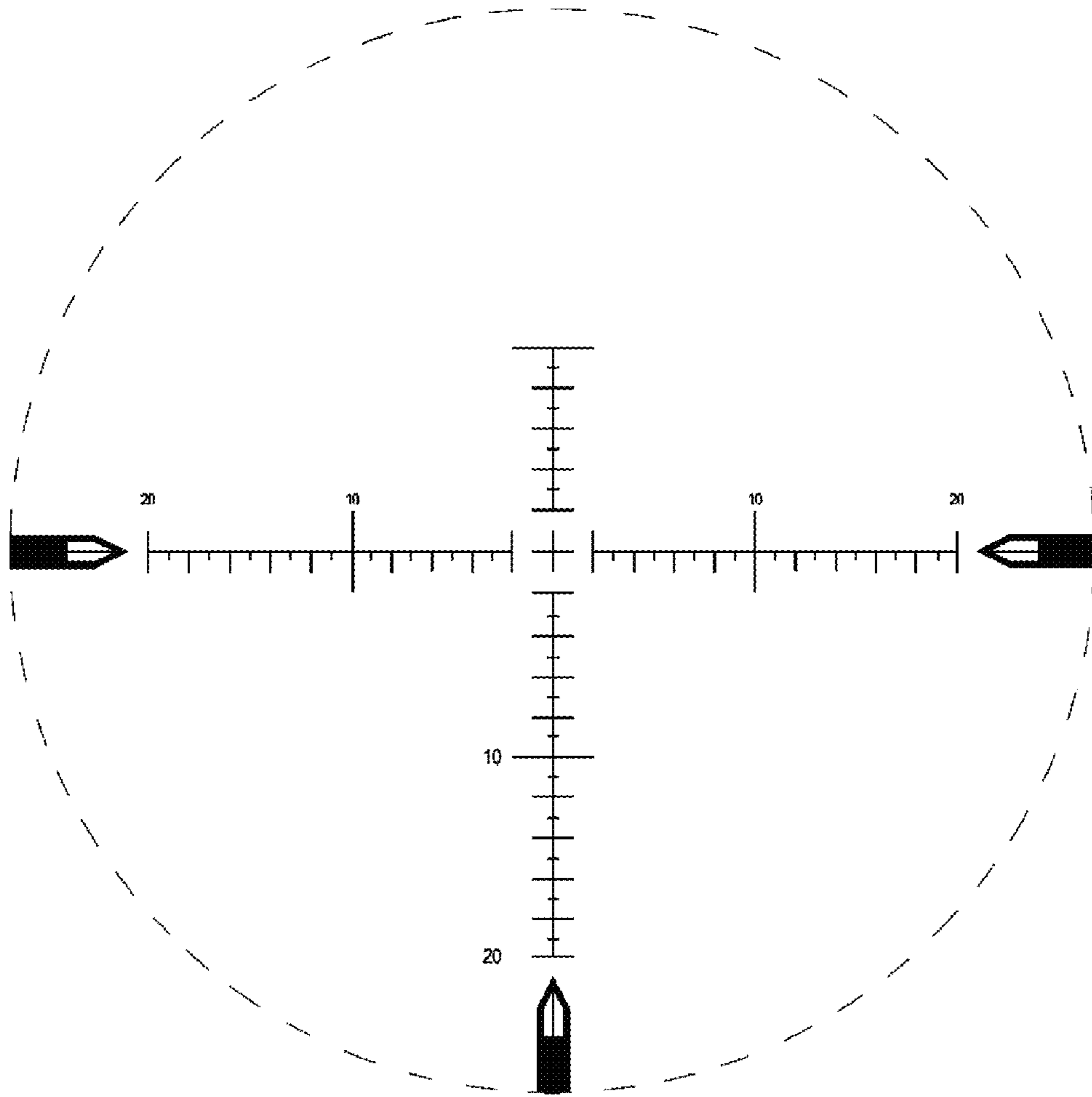


Fig. 1

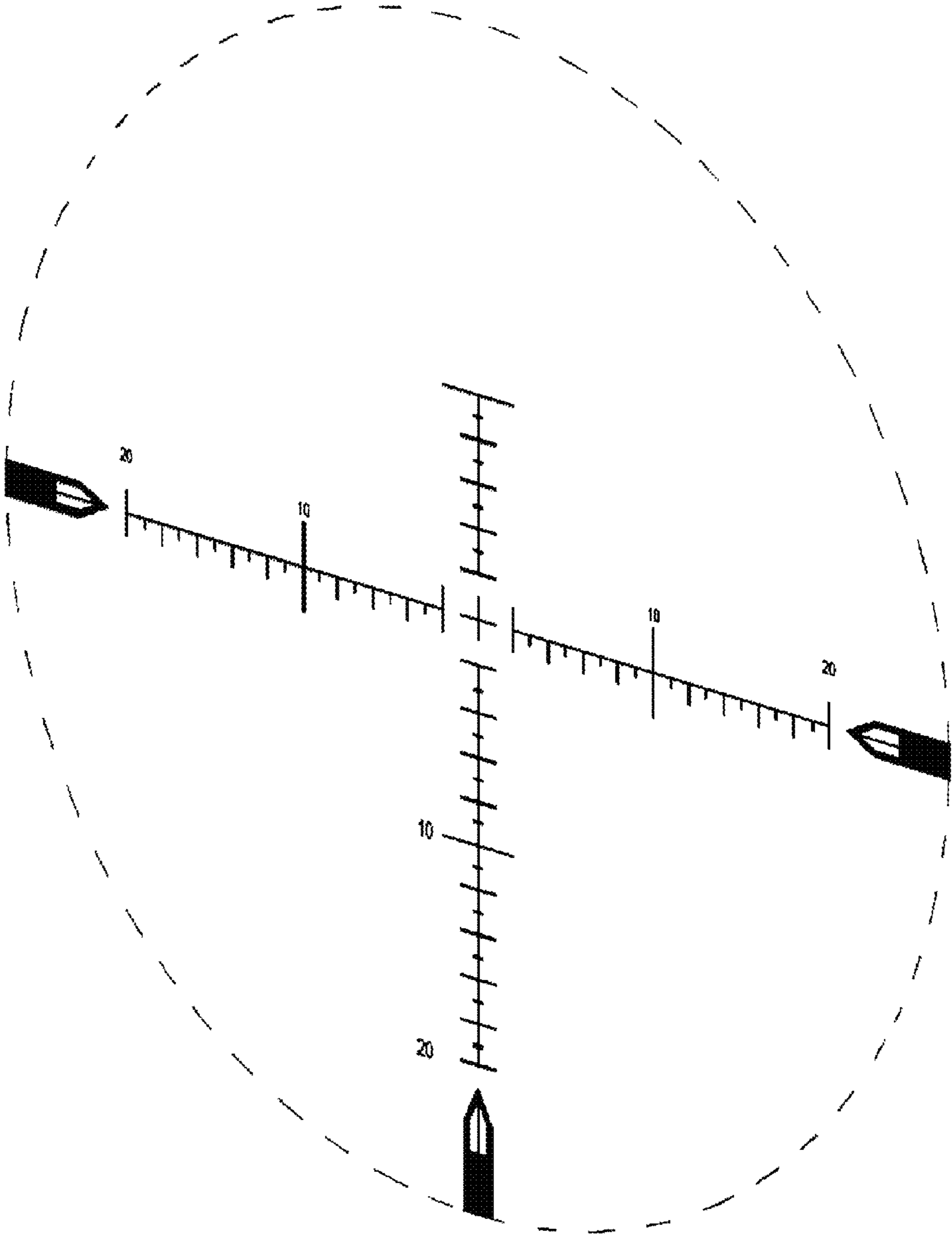


Fig. 2