



US00D679775S

(12) **United States Design Patent**
Cheng

(10) **Patent No.:** **US D679,775 S**

(45) **Date of Patent:** **** Apr. 9, 2013**

(54) **MICRO SIGHTING DEVICE WITH BUILT IN LASER**

(75) Inventor: **Carson Cheng**, City of Industry, CA (US)

(73) Assignee: **NcStar Inc.**, City of Industry, CA (US)

(**) Term: **14 Years**

(21) Appl. No.: **29/374,799**

(22) Filed: **Oct. 7, 2011**

(51) **LOC (9) Cl.** **22-01**

(52) **U.S. Cl.** **D22/109**

(58) **Field of Classification Search** D22/108-110;
359/399, 823, 744; 42/111, 133, 119, 122;
D16/132, 130, 133, 330, 134

See application file for complete search history.

(56) **References Cited**

U.S. PATENT DOCUMENTS

D305,030 S * 12/1989 Fukushima D16/132
D349,510 S * 8/1994 Tomita D16/132
D365,858 S * 1/1996 Tomita D22/109

D416,972 S * 11/1999 Otteman et al. D22/109
D427,275 S * 6/2000 Gilmore D22/109
D515,118 S * 2/2006 Larsson et al. D16/132
D615,141 S * 5/2010 Leighton et al. D22/108
D642,653 S * 8/2011 Riley D22/109

* cited by examiner

Primary Examiner — Michael A Pratt

(74) *Attorney, Agent, or Firm* — Raymond Y. Chan; David and Raymond Patent Firm

(57) **CLAIM**

The ornamental design for a micro sighting device with built in laser, as shown and described.

DESCRIPTION

FIG. 1 is a front perspective view of micro sighting device with built in laser showing my new design.

FIG. 2 is a front view thereof.

FIG. 3 is a rear view thereof.

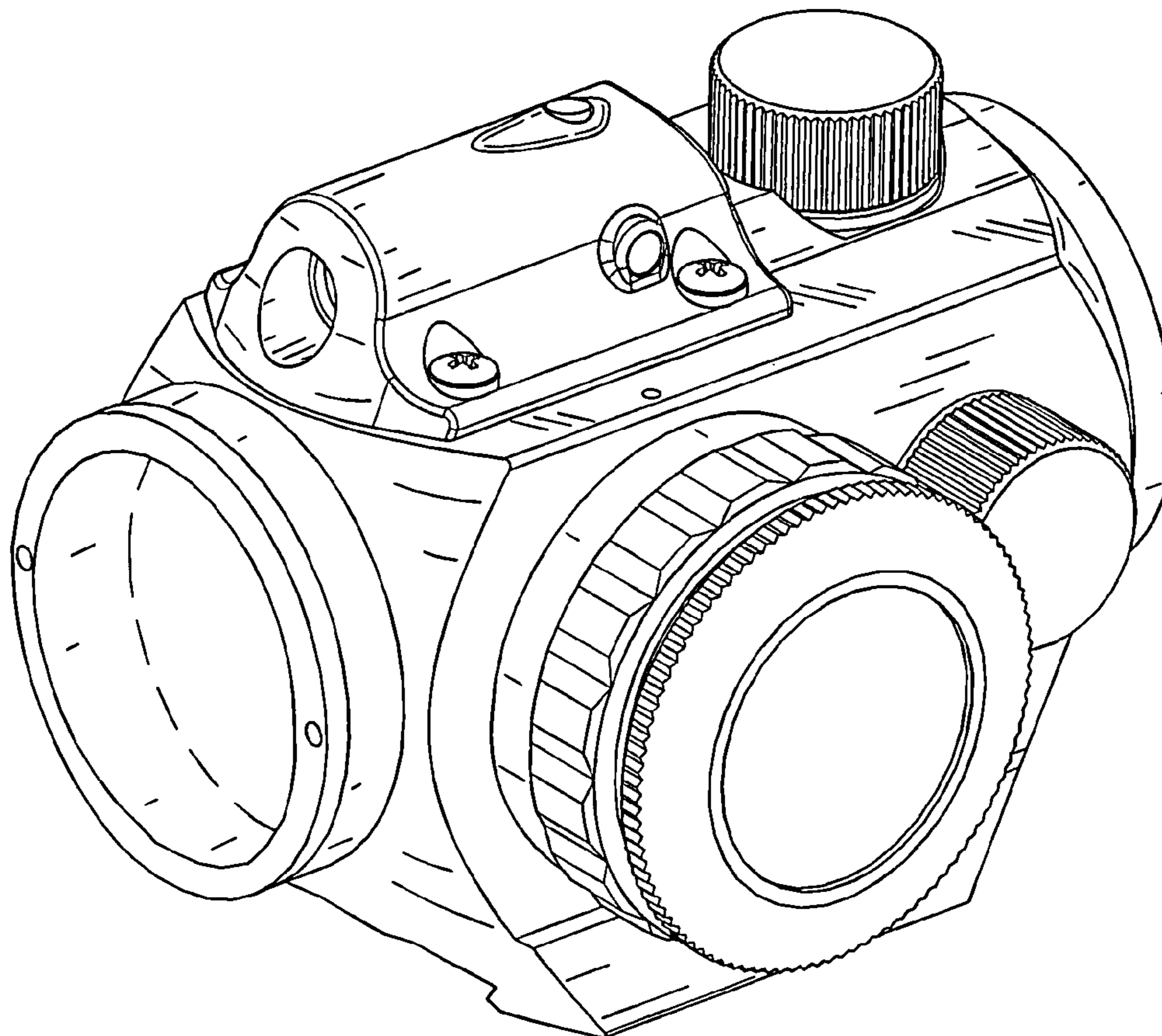
FIG. 4 is a right end view thereof.

FIG. 5 is a left end view thereof.

FIG. 6 is a top view thereof; and,

FIG. 7 is a bottom view thereof.

1 Claim, 7 Drawing Sheets



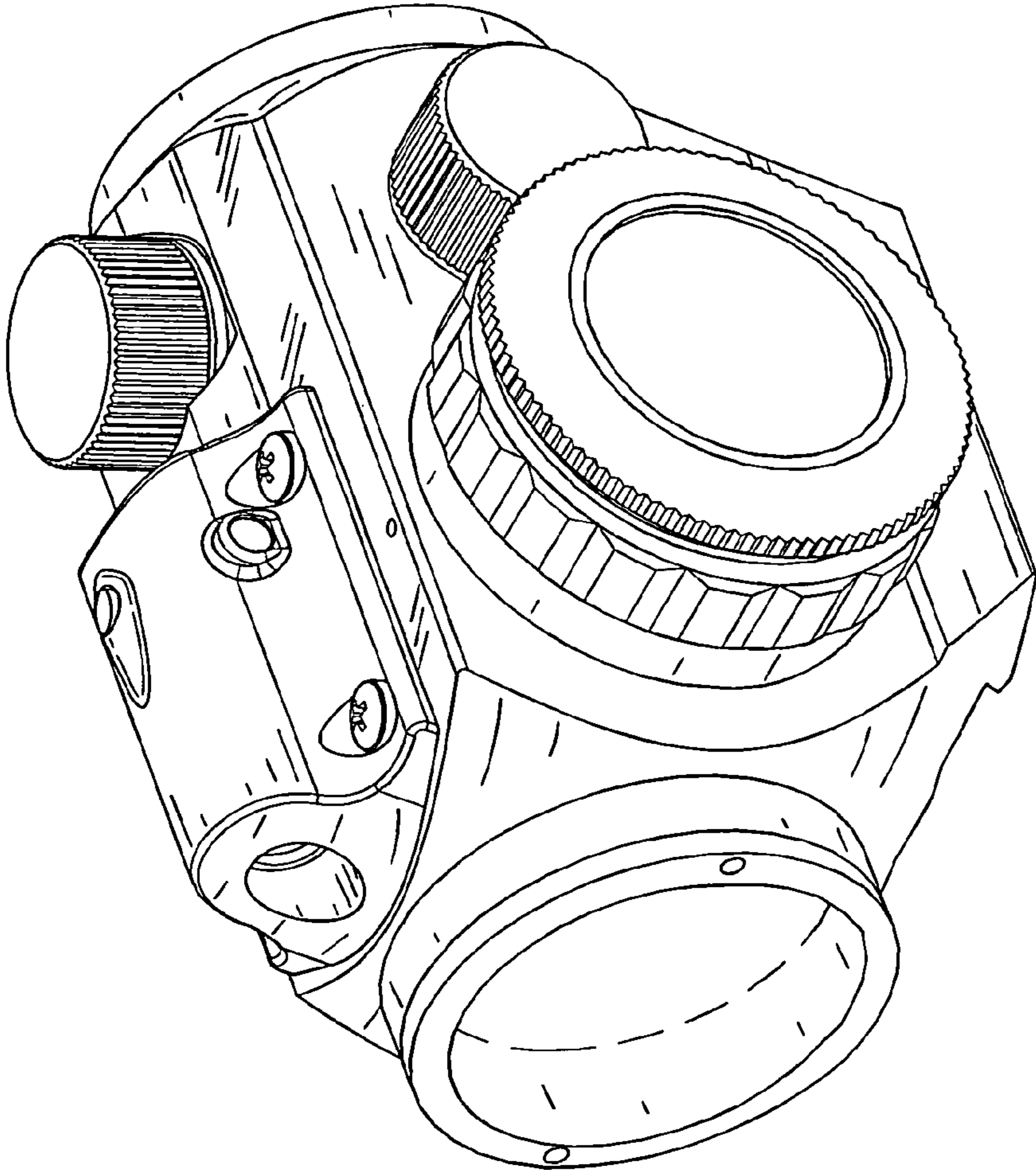


FIG.1

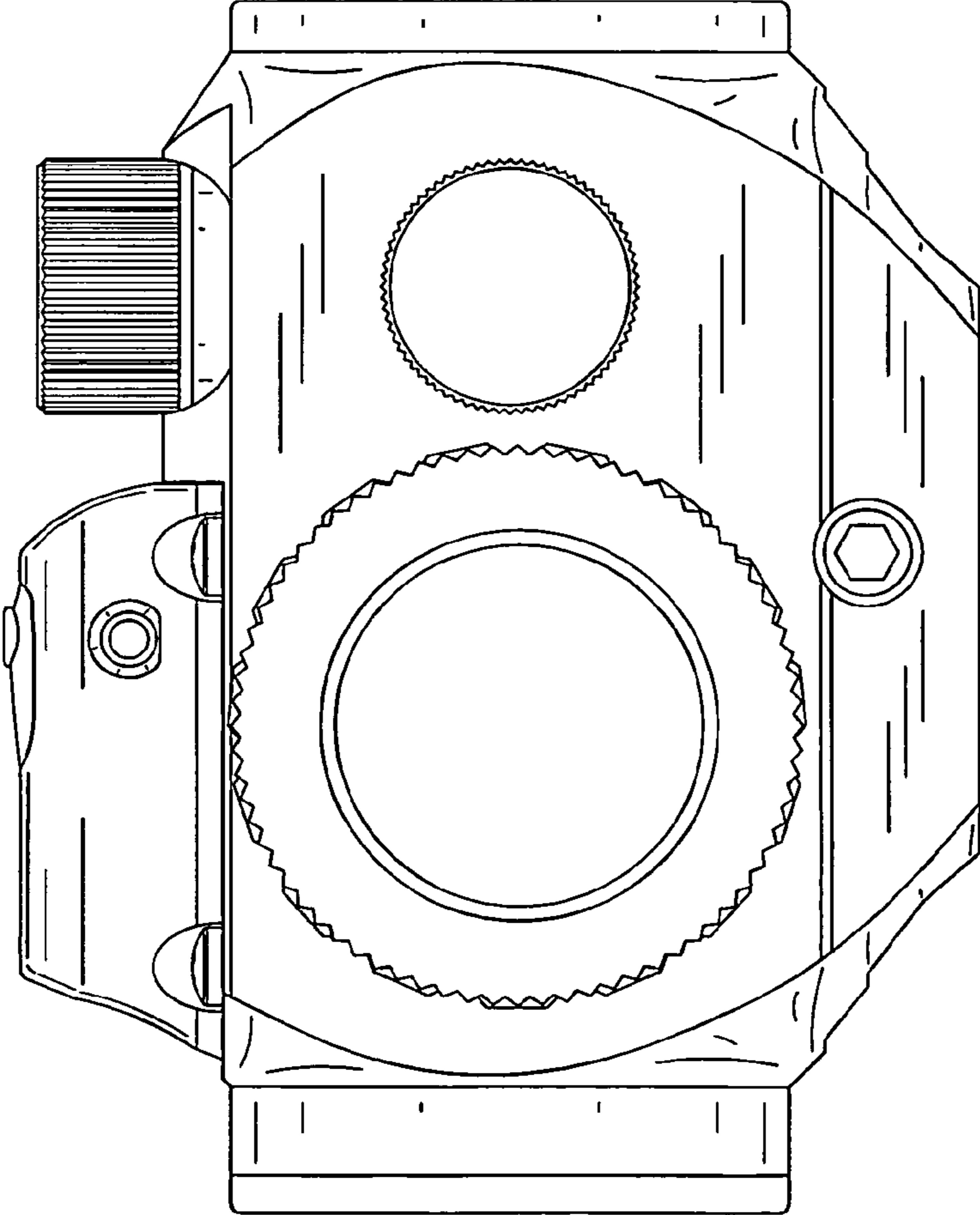


FIG.2

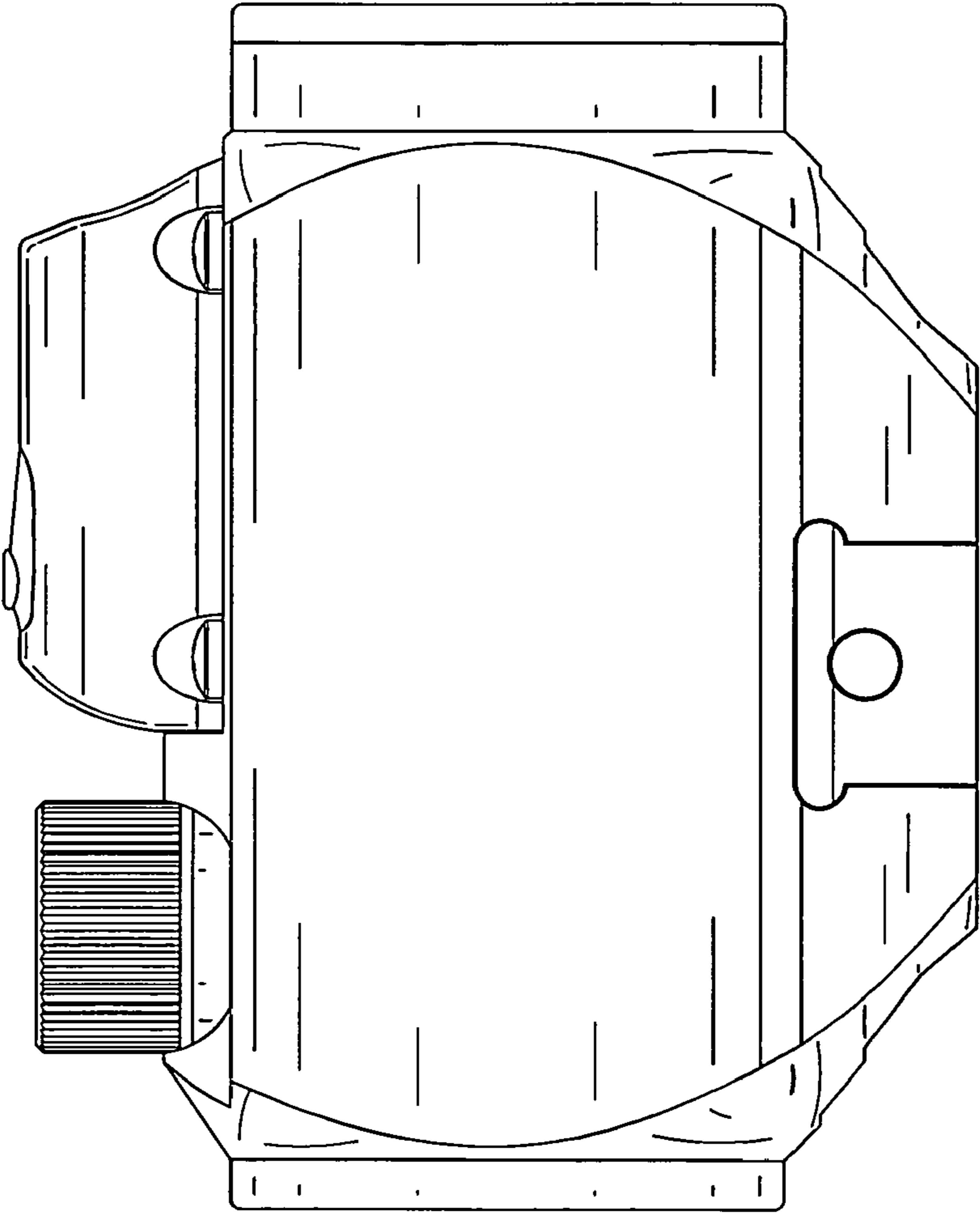


FIG.3

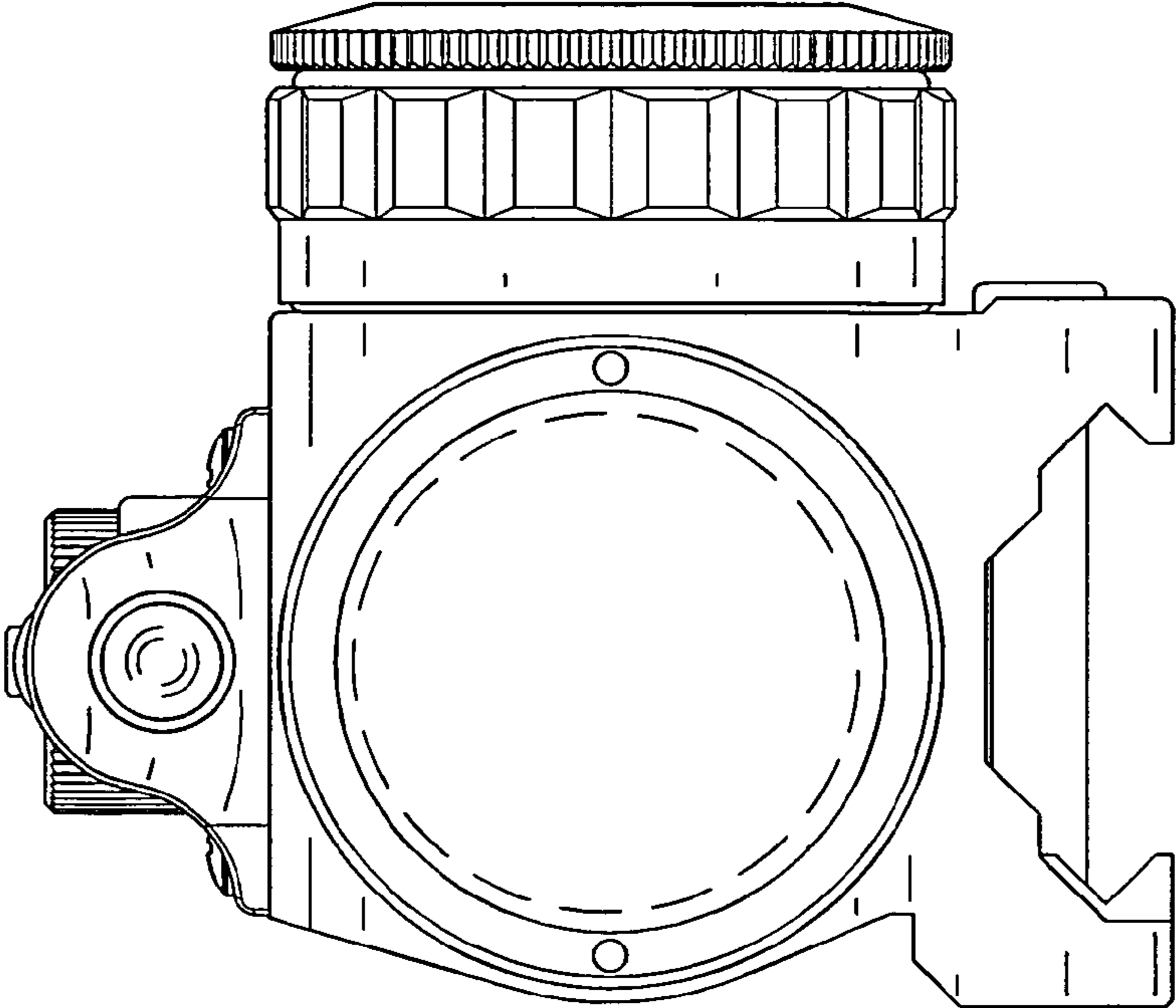


FIG.4

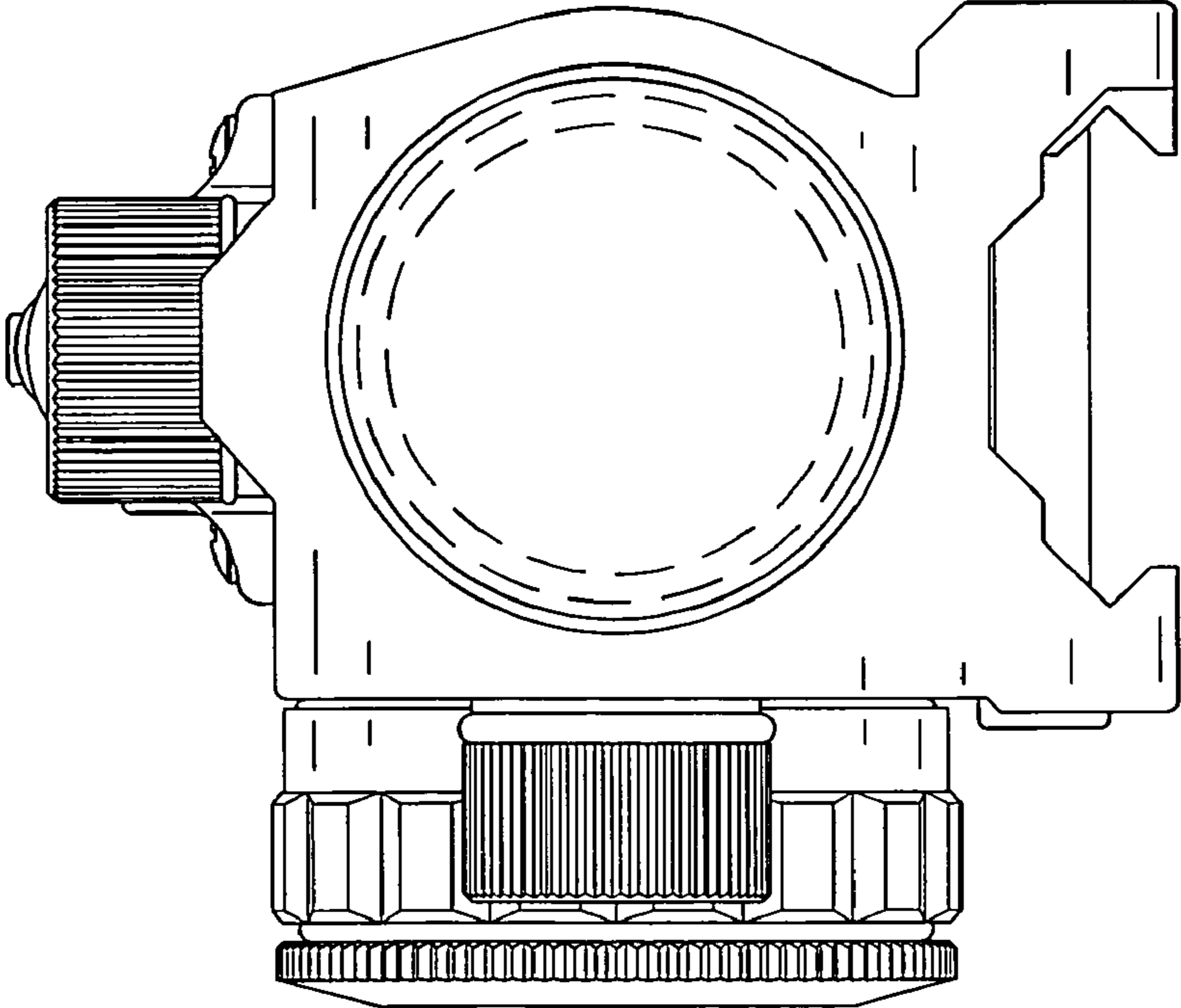


FIG. 5

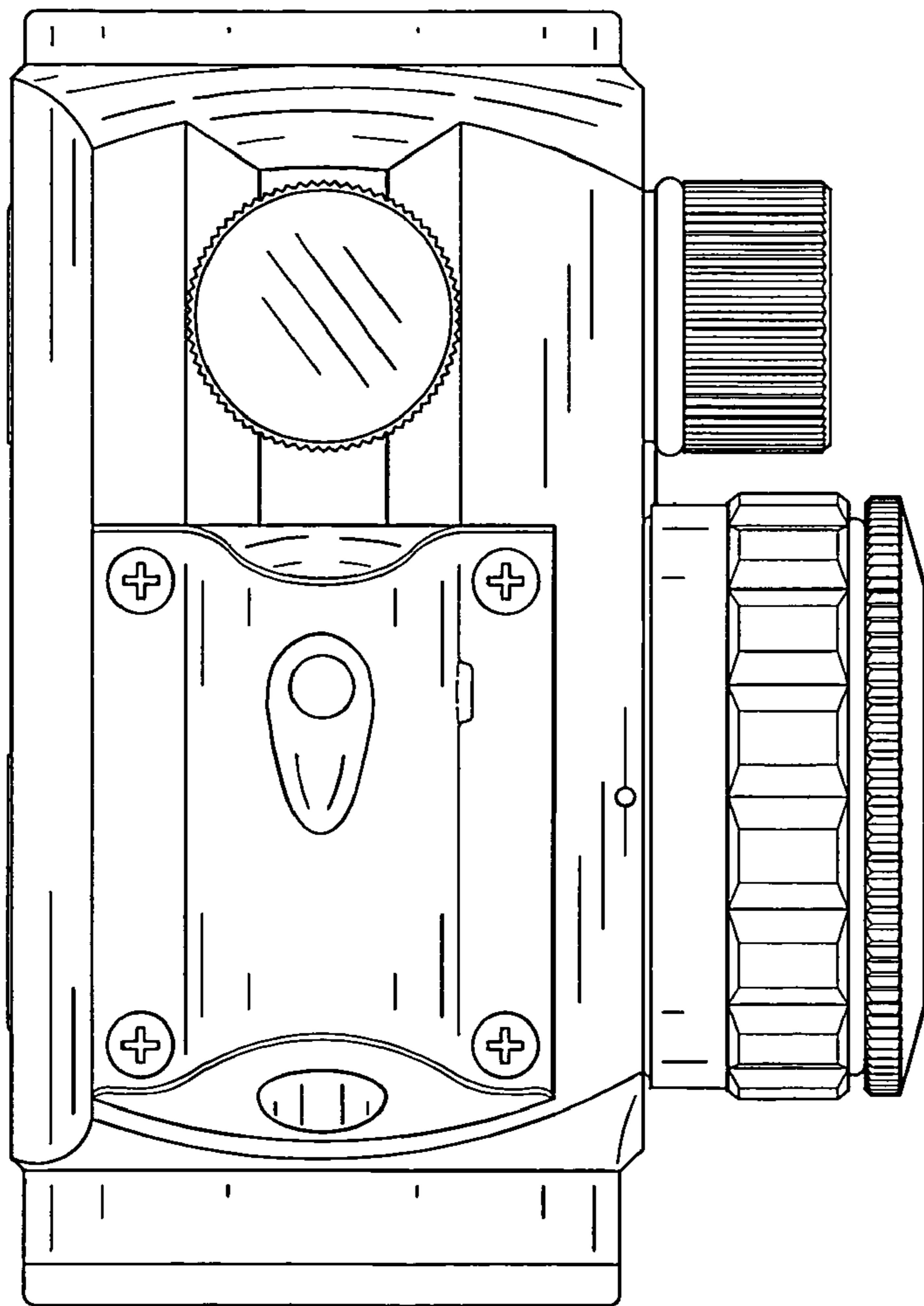


FIG.6

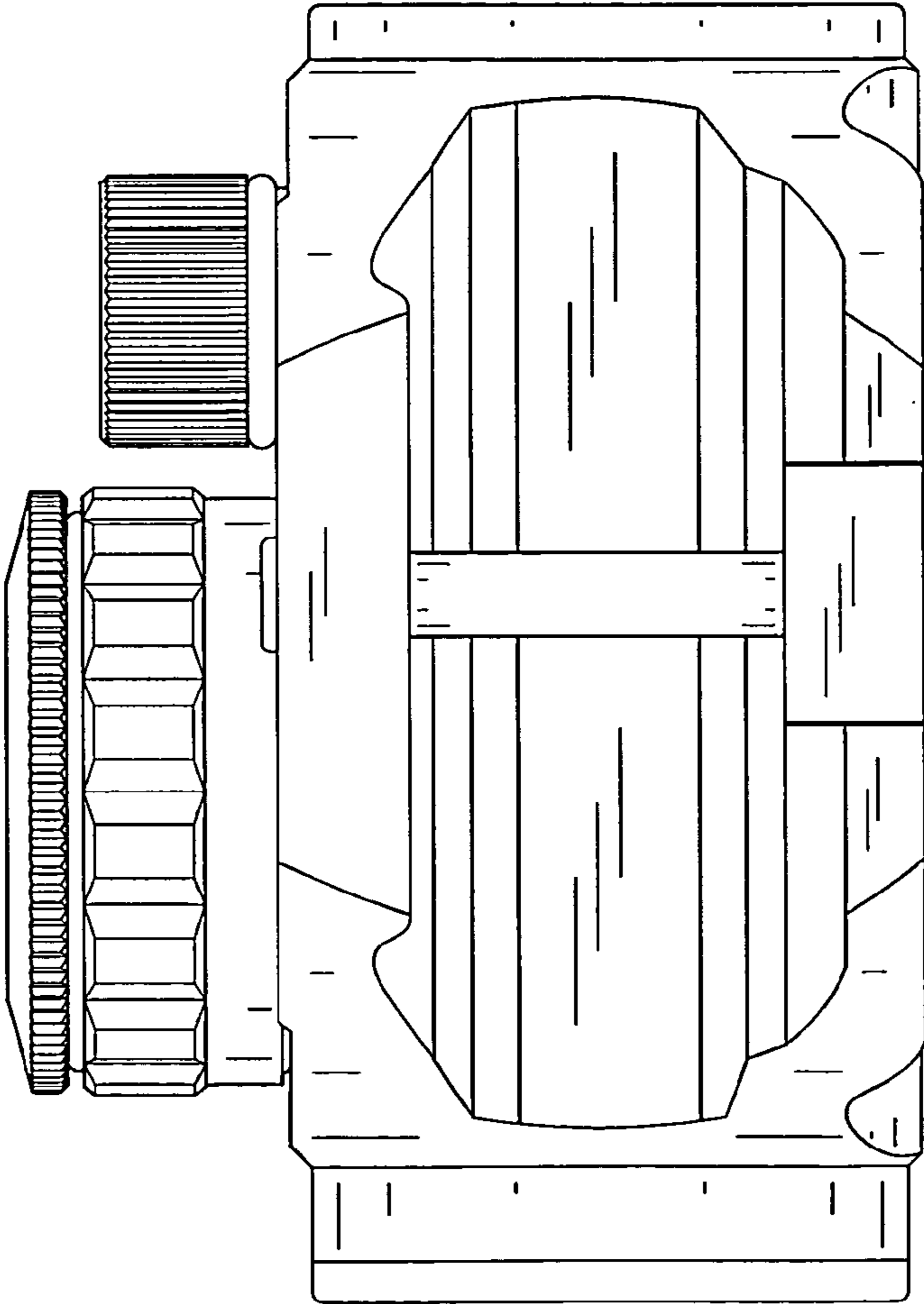


FIG. 7