



US00D679774S

(12) **United States Design Patent**
Burzel et al.

(10) **Patent No.:** **US D679,774 S**

(45) **Date of Patent:** **** Apr. 9, 2013**

(54) **CONTROL KNOB FOR A RIFLE TELESCOPE**

(75) Inventors: **Timo Burzel**, Lahnau-Waldgirmes (DE);
Andreas Schneider,
Hüttenberg/Rechtenbach (DE)

(73) Assignee: **Cassidian Optronics GmbH**,
Oberkochen (DE)

(**) Term: **14 Years**

(21) Appl. No.: **29/405,097**

(22) Filed: **Oct. 28, 2011**

(51) **LOC (9) Cl.** **22-01**

(52) **U.S. Cl.** **D22/108**

(58) **Field of Classification Search** D22/108-110;
D8/311; D16/132, 130, 133, 330, 134; 359/399,
359/823, 744; 42/111, 133, 119, 122; 16/414,
16/417

See application file for complete search history.

(56) **References Cited**

U.S. PATENT DOCUMENTS

D240,553 S *	7/1976	Huckenbeck	D16/136
D305,030 S *	12/1989	Fukushima	D16/132
D308,981 S *	7/1990	Moore	D16/132
D308,982 S *	7/1990	Moore	D16/132
D365,858 S *	1/1996	Tomita	D22/109
D369,367 S *	4/1996	Tomita	D16/132
D413,153 S *	8/1999	Tucker	D22/109

(Continued)

Primary Examiner — Michael A Pratt

(74) *Attorney, Agent, or Firm* — Walter Ottesen P.A.

(57) **CLAIM**

The ornamental design for a control knob for a rifle telescope, as shown and described.

DESCRIPTION

FIG. 1 is a perspective of a first embodiment of the control knob of our new design shown mounted on a rifle scope;
FIG. 2 is a top perspective of the control knob of FIG. 1;
FIG. 3 is a bottom perspective of the control knob of FIG. 1;
FIG. 4 is a top plan view of the control knob of FIG. 1;
FIG. 5 is a bottom plan view of the control knob of FIG. 1;
FIG. 6 is a left side elevation view of the control knob of FIG. 1;

FIG. 7 is a right side elevation view of the control knob of FIG. 1;

FIG. 8 is a front elevation view of the control knob of FIG. 1;
FIG. 9 is a rear elevation view of the control knob of FIG. 1;

FIG. 10 is a perspective of a second embodiment of the control knob of our new design shown mounted on a rifle scope;

FIG. 11 is a top perspective of the control knob of FIG. 10;
FIG. 12 is a bottom perspective of the control knob of FIG. 10;

FIG. 13 is a top plan view of the control knob of FIG. 10;
FIG. 14 is a bottom plan view of the control knob of FIG. 10;

FIG. 15 is a left side elevation view of the control knob of FIG. 10;

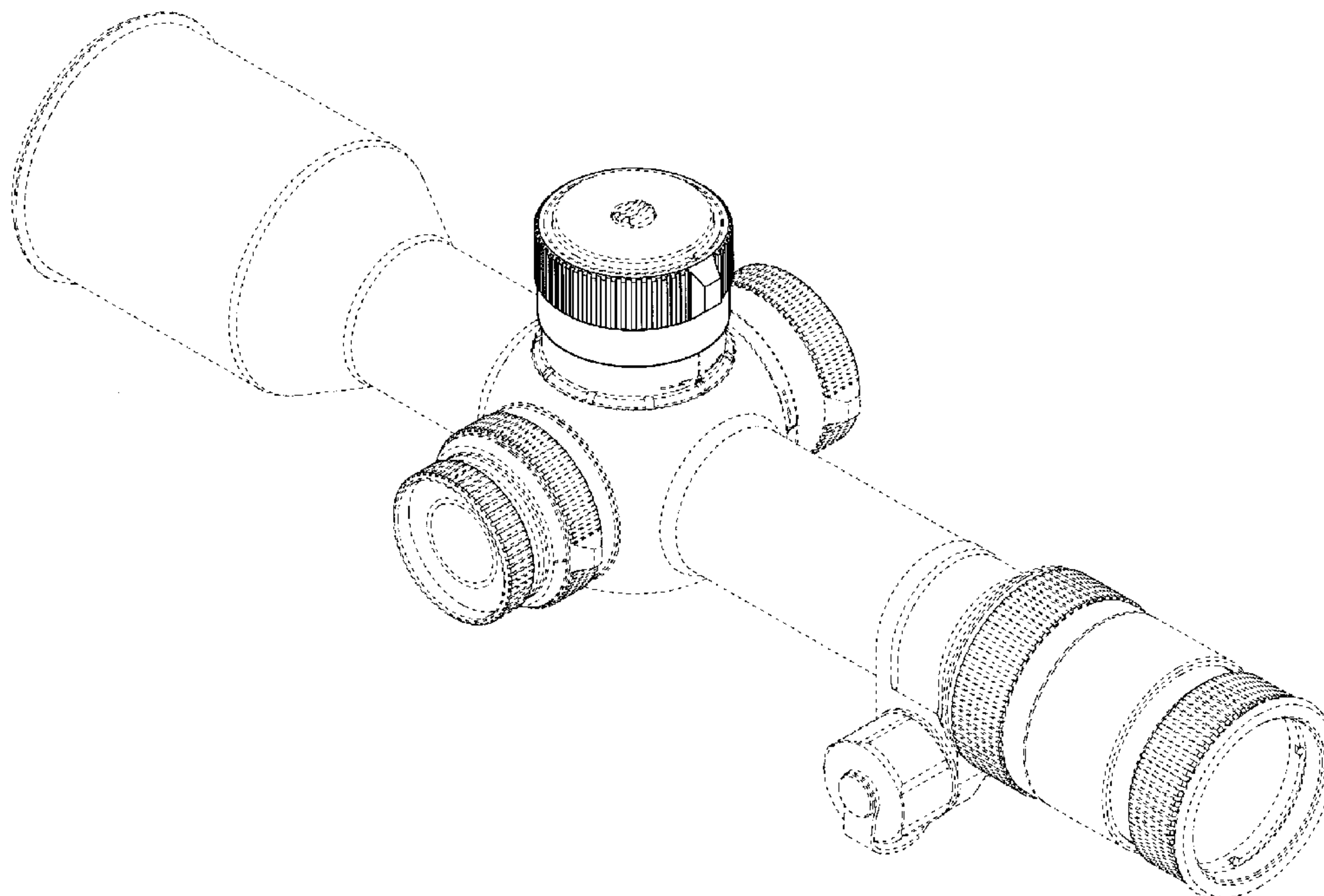
FIG. 16 is a right side elevation view of the control knob of FIG. 10;

FIG. 17 is a front elevation view of the control knob of FIG. 10; and,

FIG. 18 is a rear elevation view of the control knob of FIG. 10.

The rifle telescope body shown by dashed lines in FIGS. 1 and 10 is for illustrative purposes only and forms no part of the claimed design.

1 Claim, 8 Drawing Sheets



US D679,774 S

Page 2

U.S. PATENT DOCUMENTS

6,662,370	B1 *	12/2003	Buchanan, Jr.	2/6.2	8,166,697	B1 *	5/2012	Sueskind	42/125
7,203,998	B2 *	4/2007	Howie, Jr.	16/441	2010/0175298	A1 *	7/2010	Thomas et al.	42/122
7,415,791	B2 *	8/2008	Williams et al.	42/122	2011/0314720	A1 *	12/2011	Cheng	42/117
7,742,248	B2 *	6/2010	Nussbaum et al.	359/823	2012/0154907	A1 *	6/2012	Schmitt et al.	359/399
D619,193	S *	7/2010	Riley	D22/108	2012/0167444	A1 *	7/2012	Adkins et al.	42/135
7,827,725	B1 *	11/2010	Hagler	42/127	2012/0186131	A1 *	7/2012	Windauer	42/122
8,166,696	B2 *	5/2012	Hamilton	42/122						

* cited by examiner

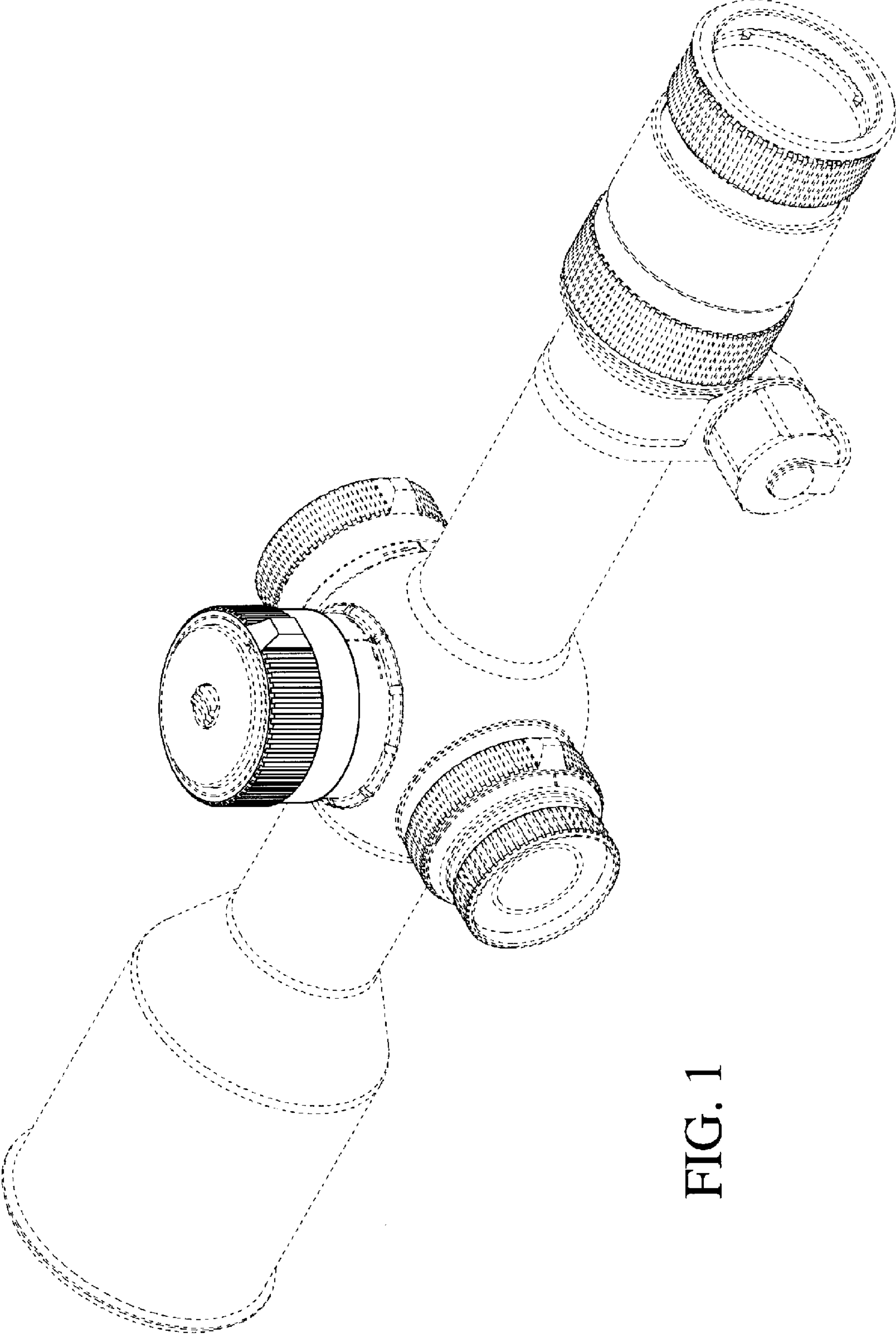


FIG. 1

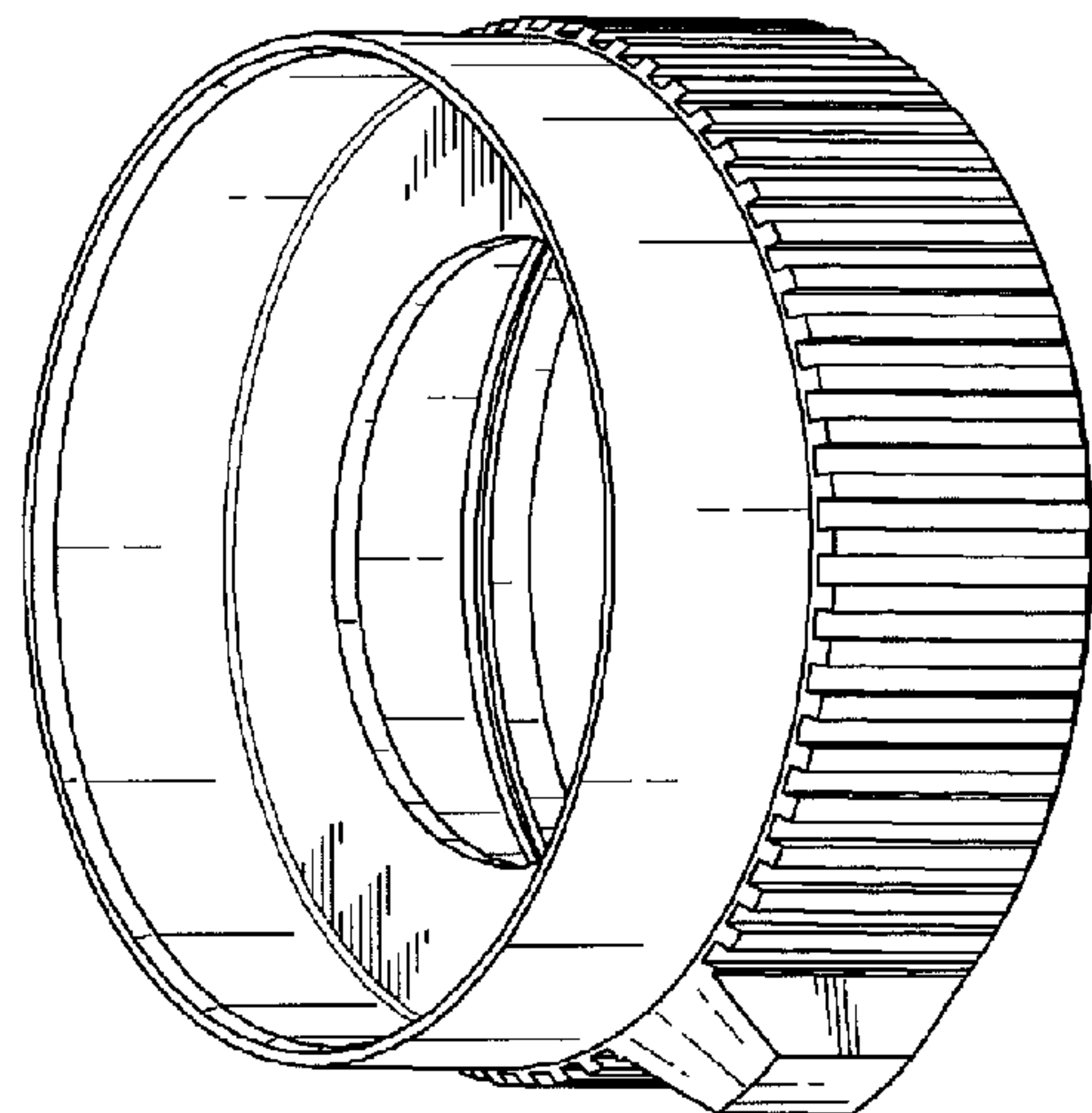


FIG. 3

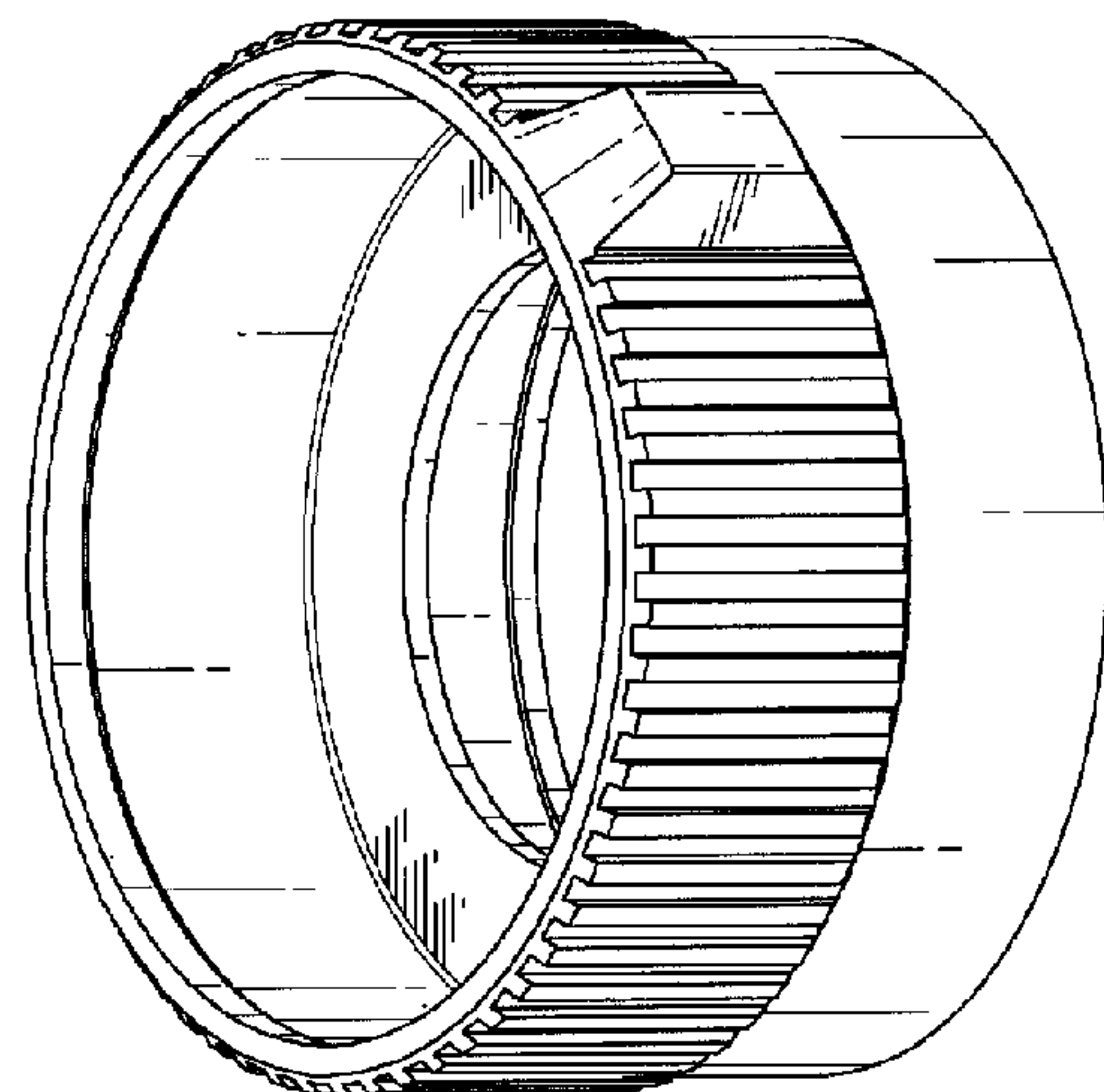


FIG. 2

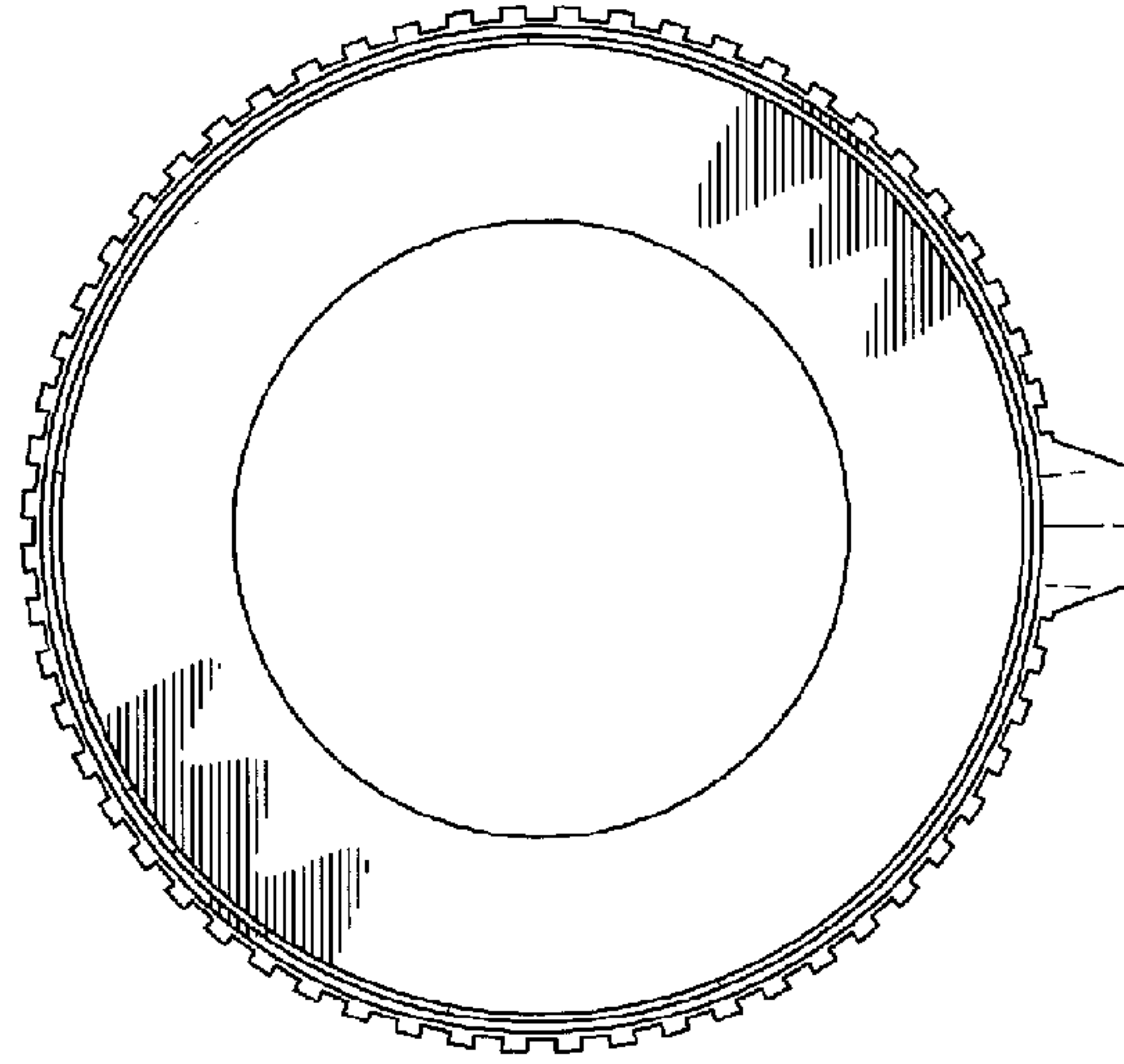


FIG. 5

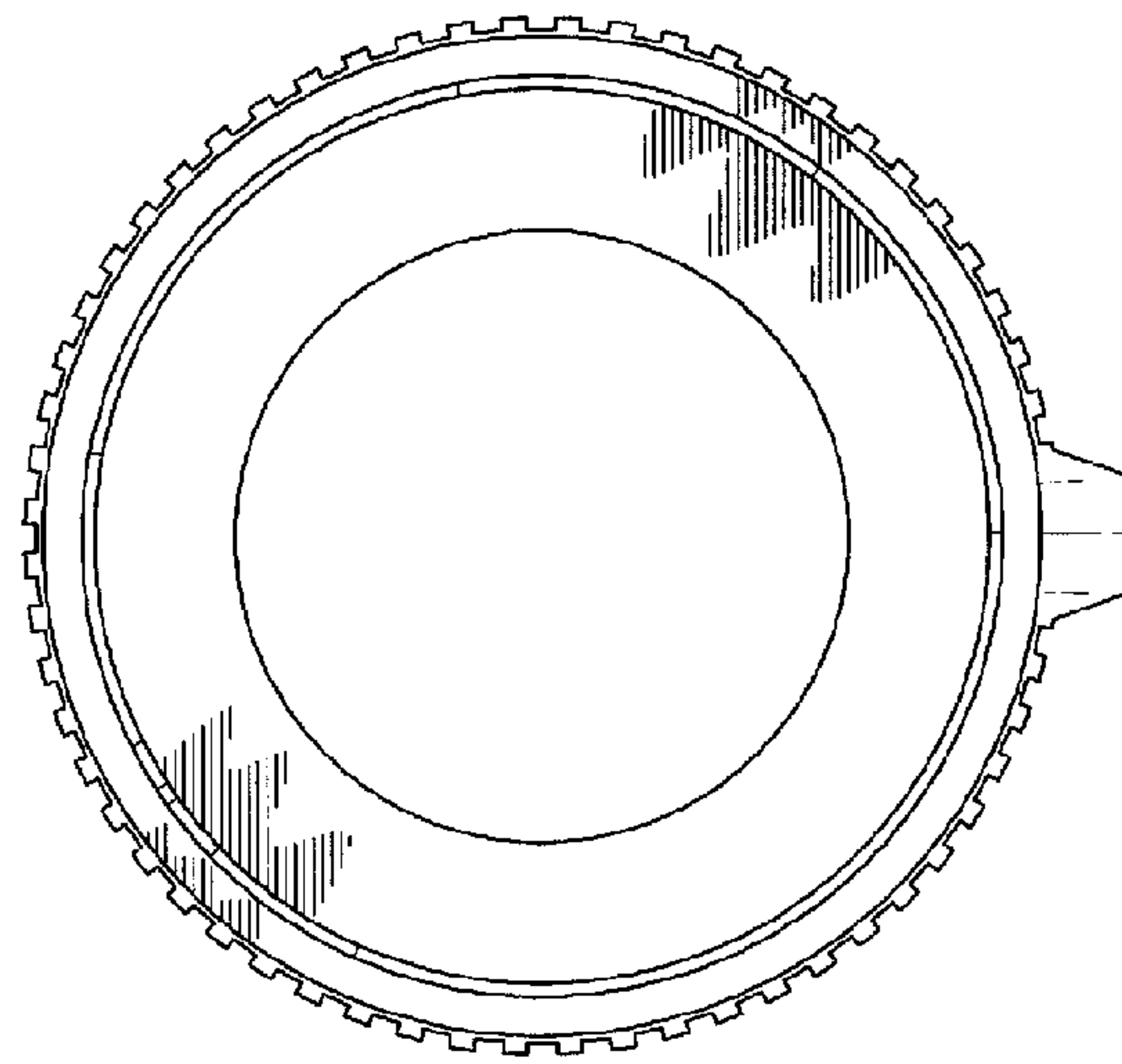


FIG. 4

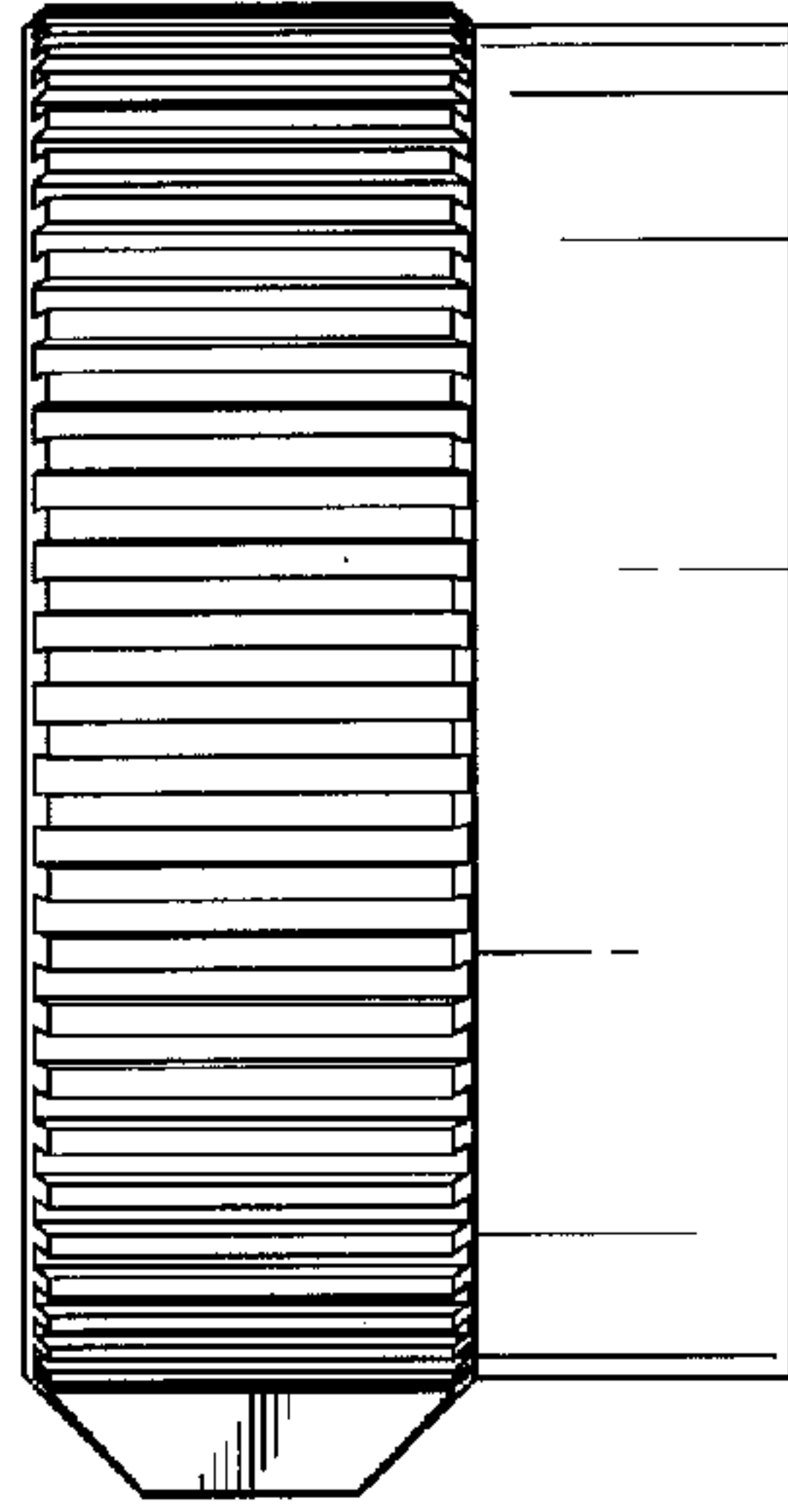


FIG. 7

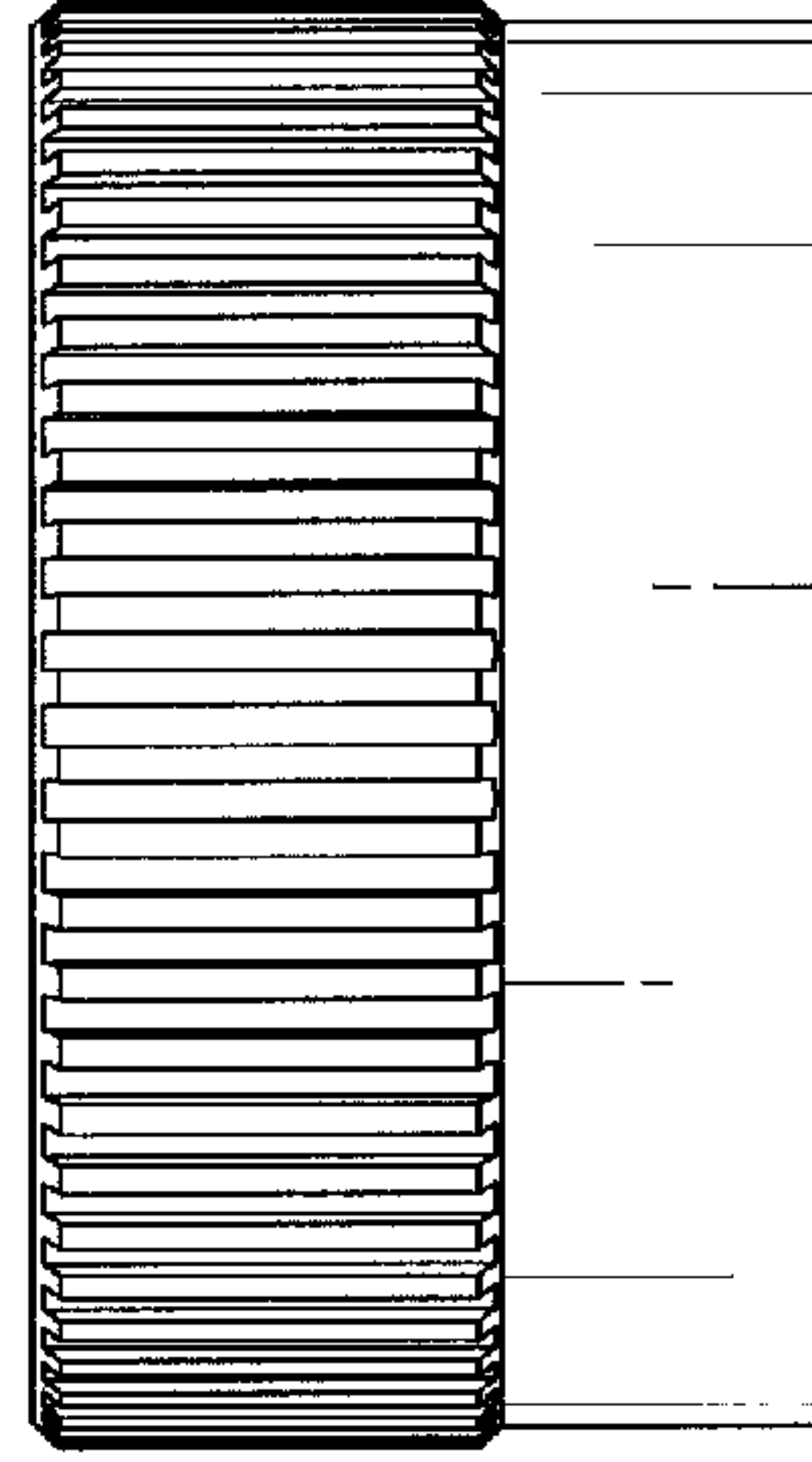


FIG. 9

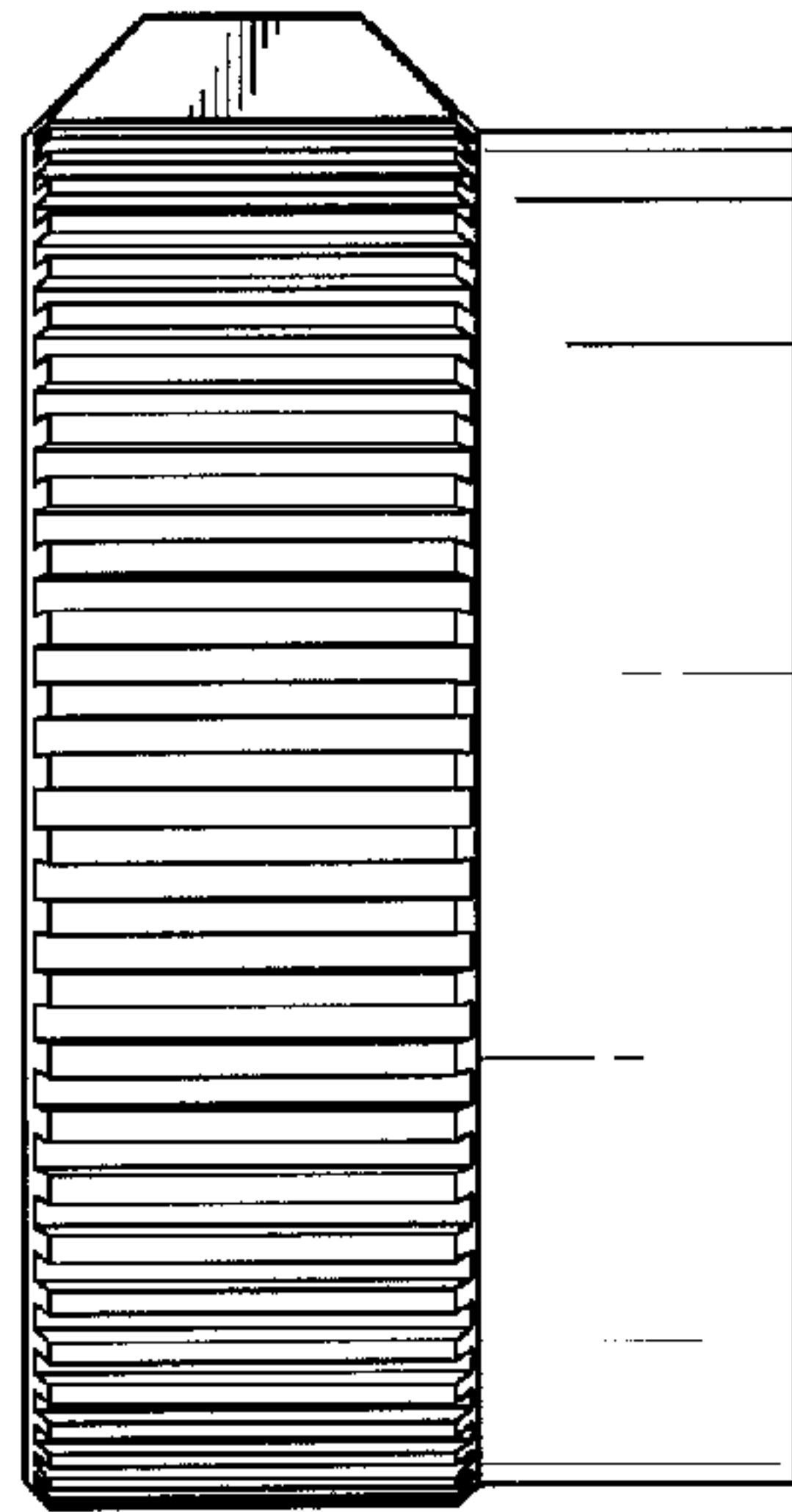


FIG. 6

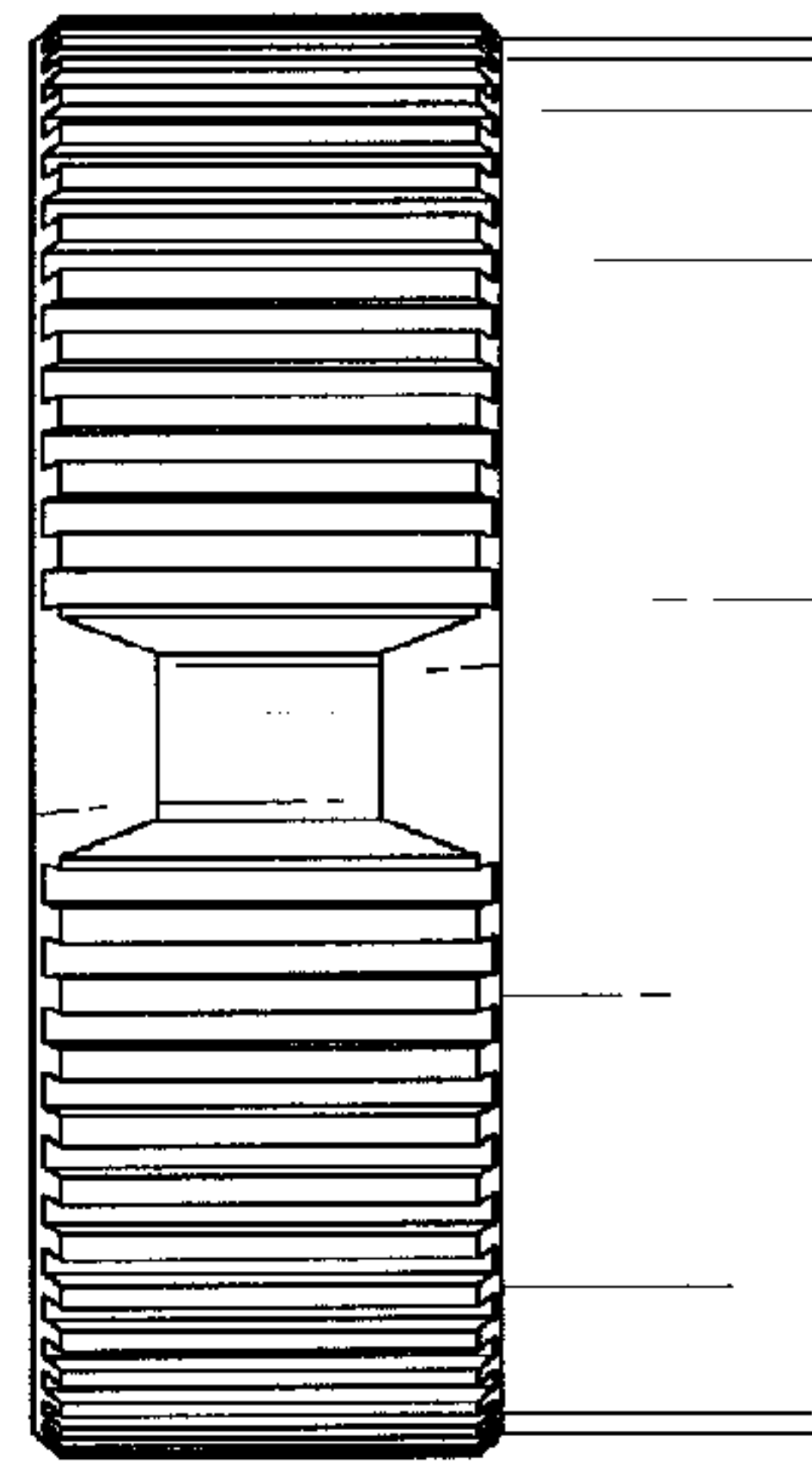


FIG. 8

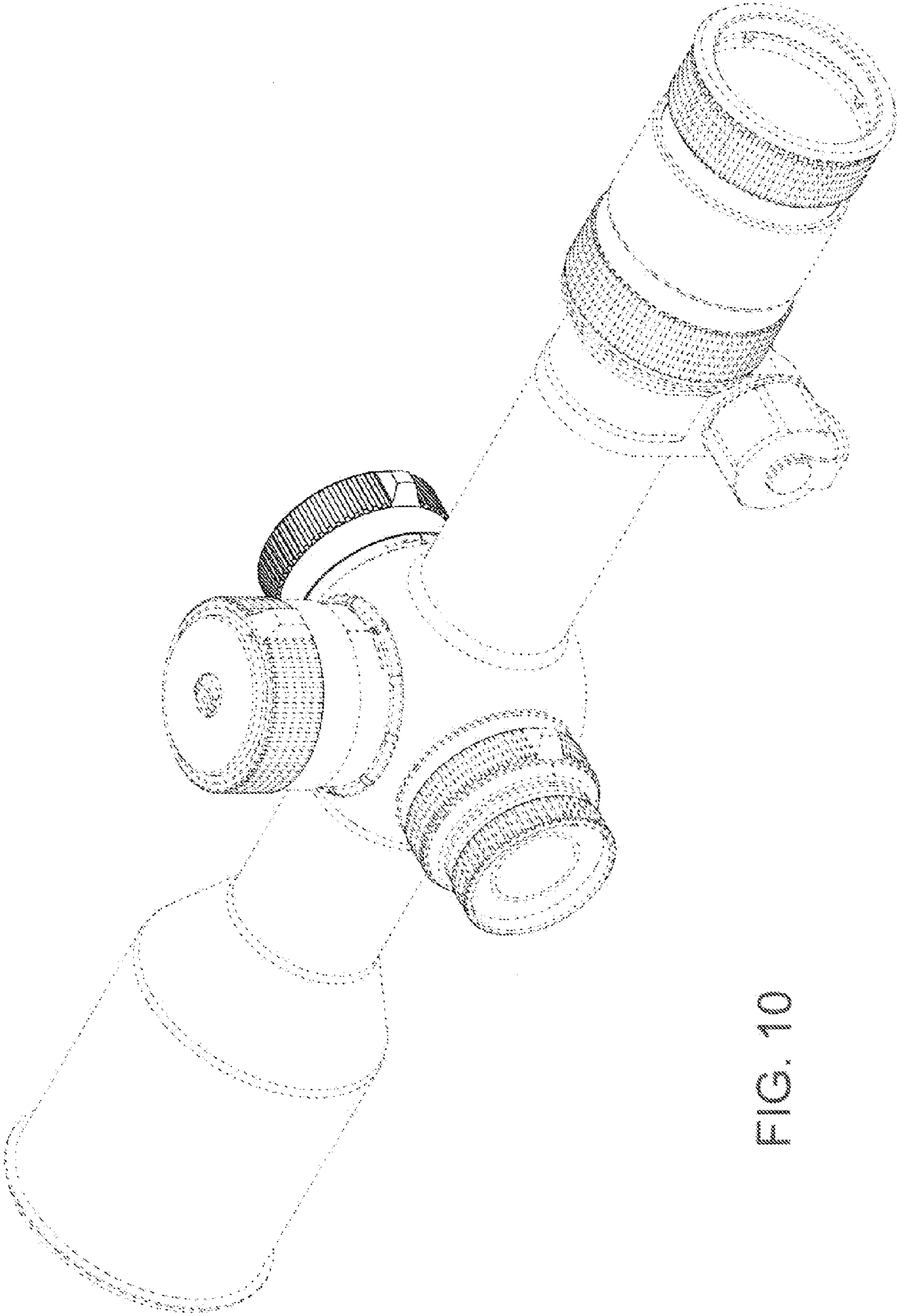


FIG. 10

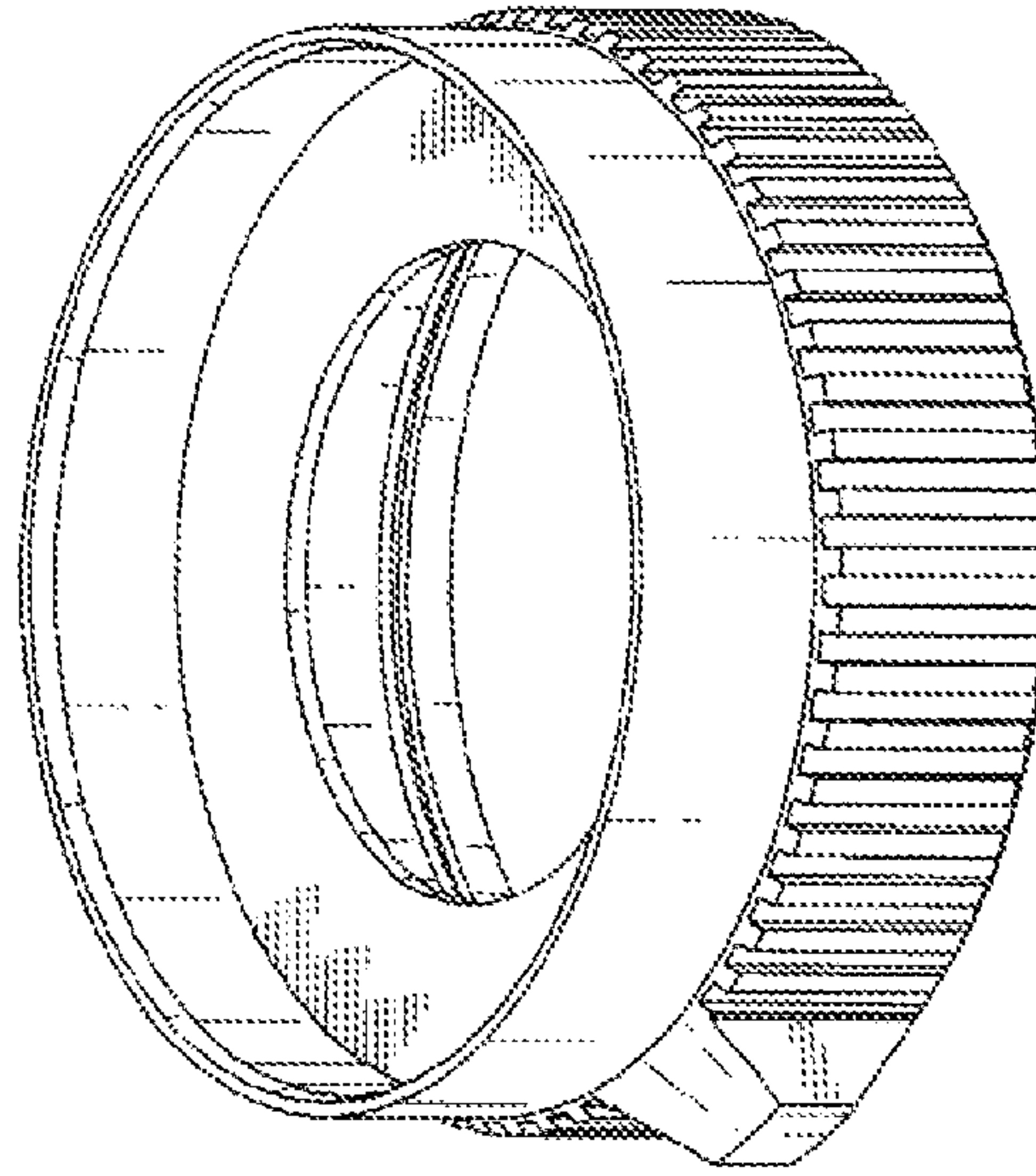


FIG. 12

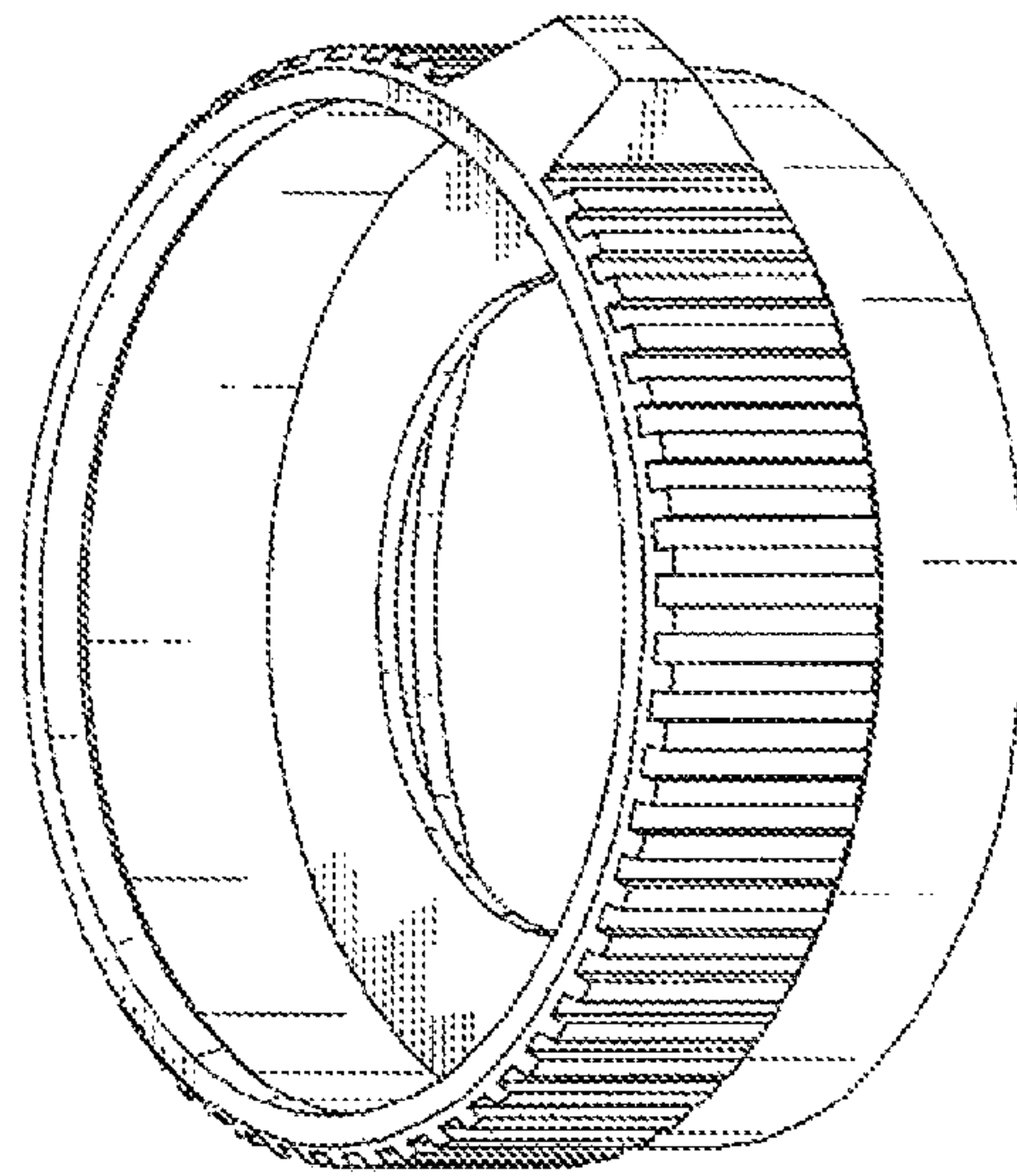


FIG. 11

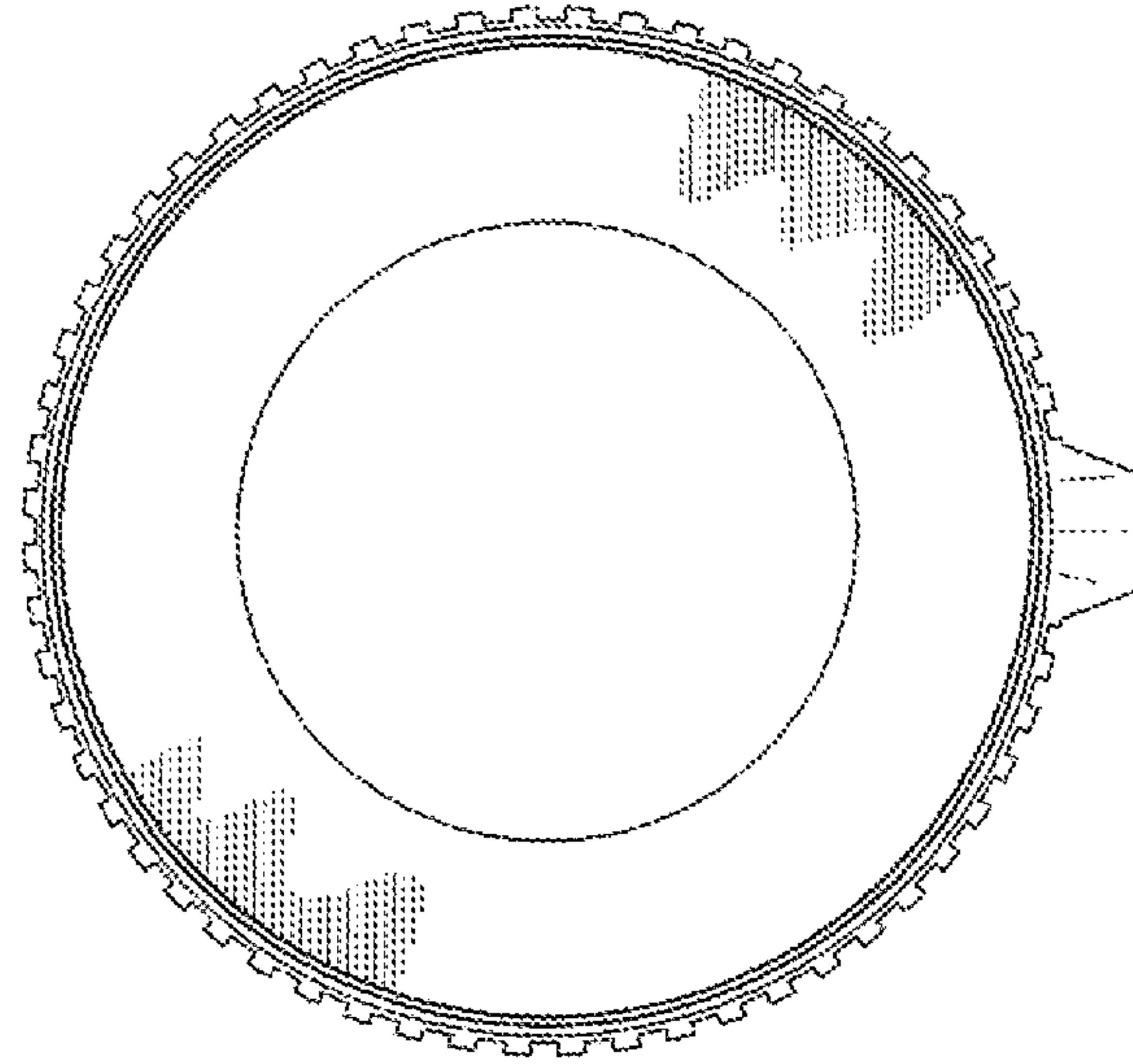


FIG. 14

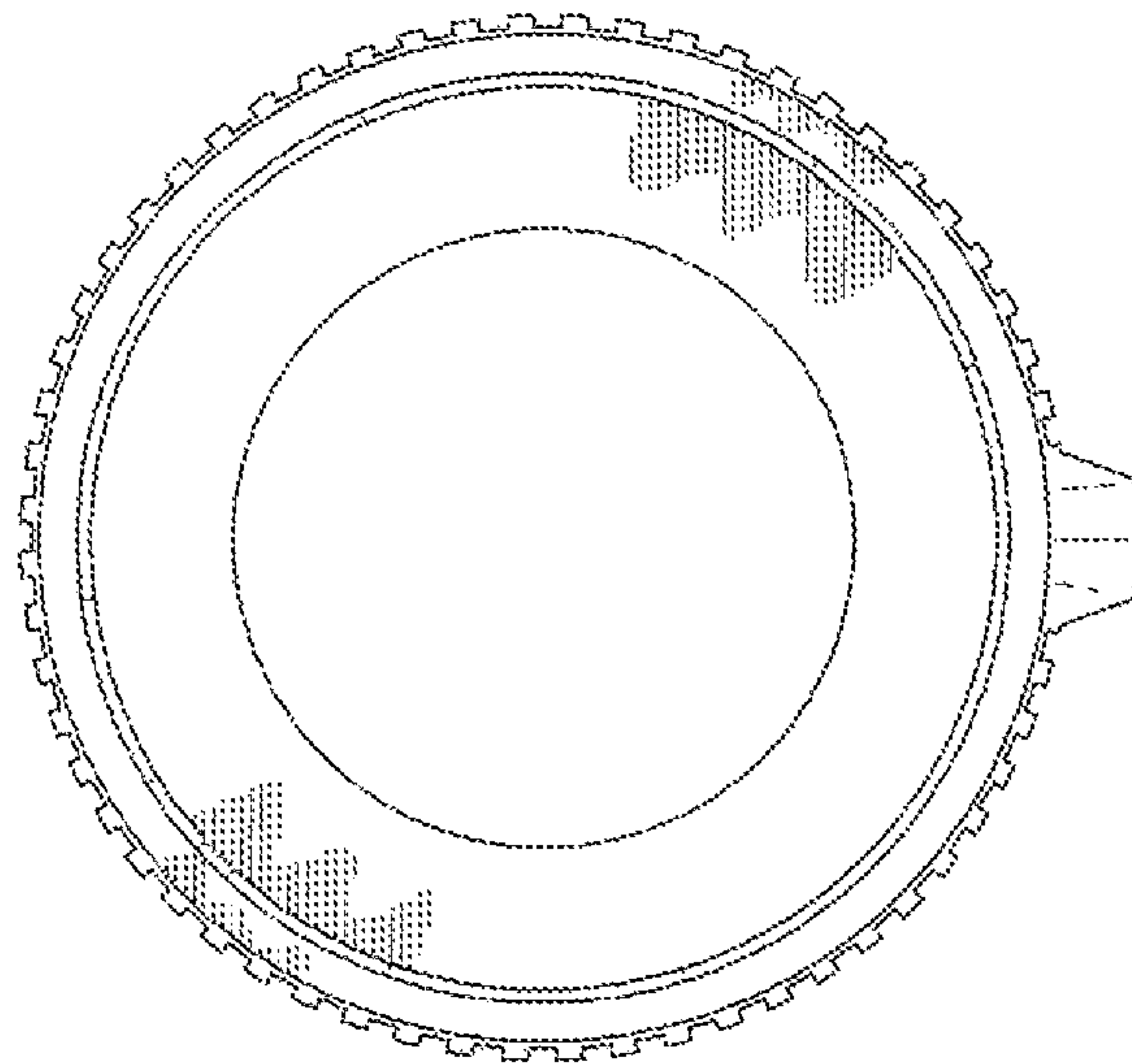


FIG. 13

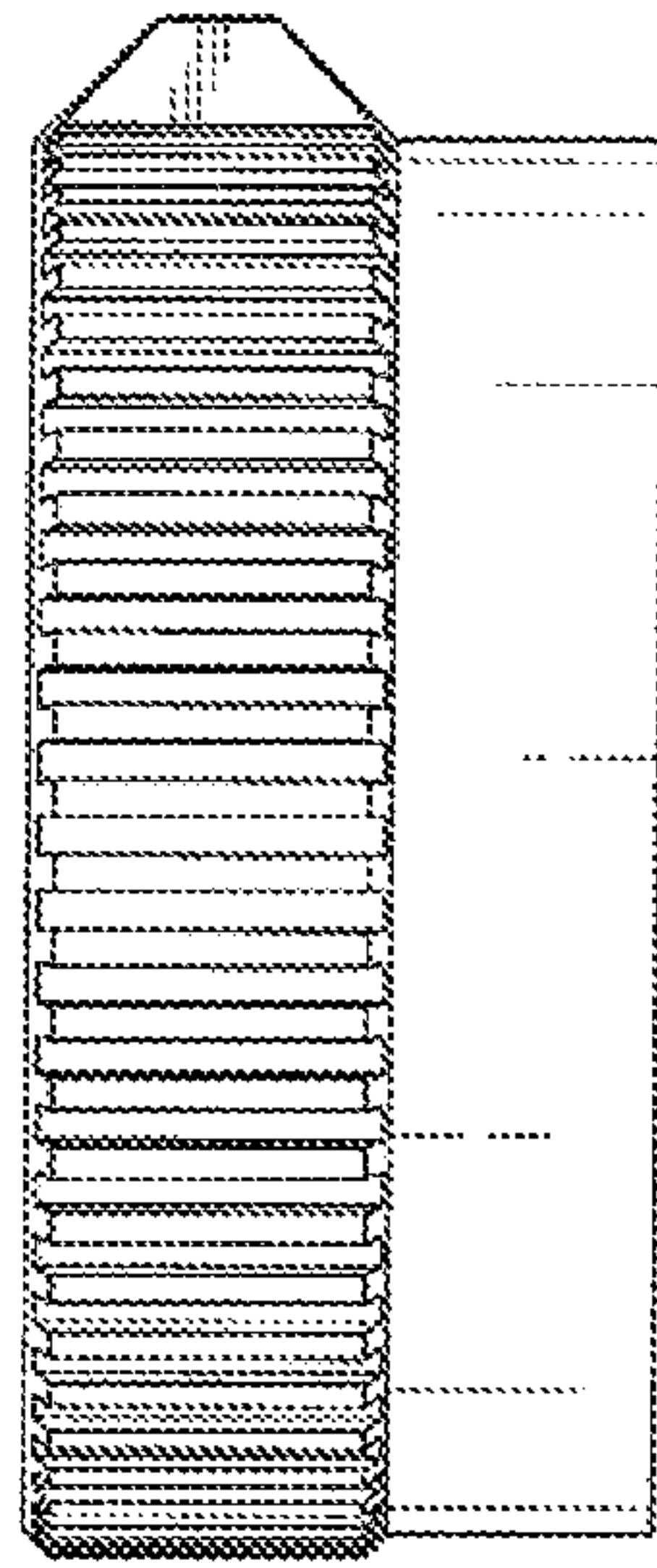


FIG. 15

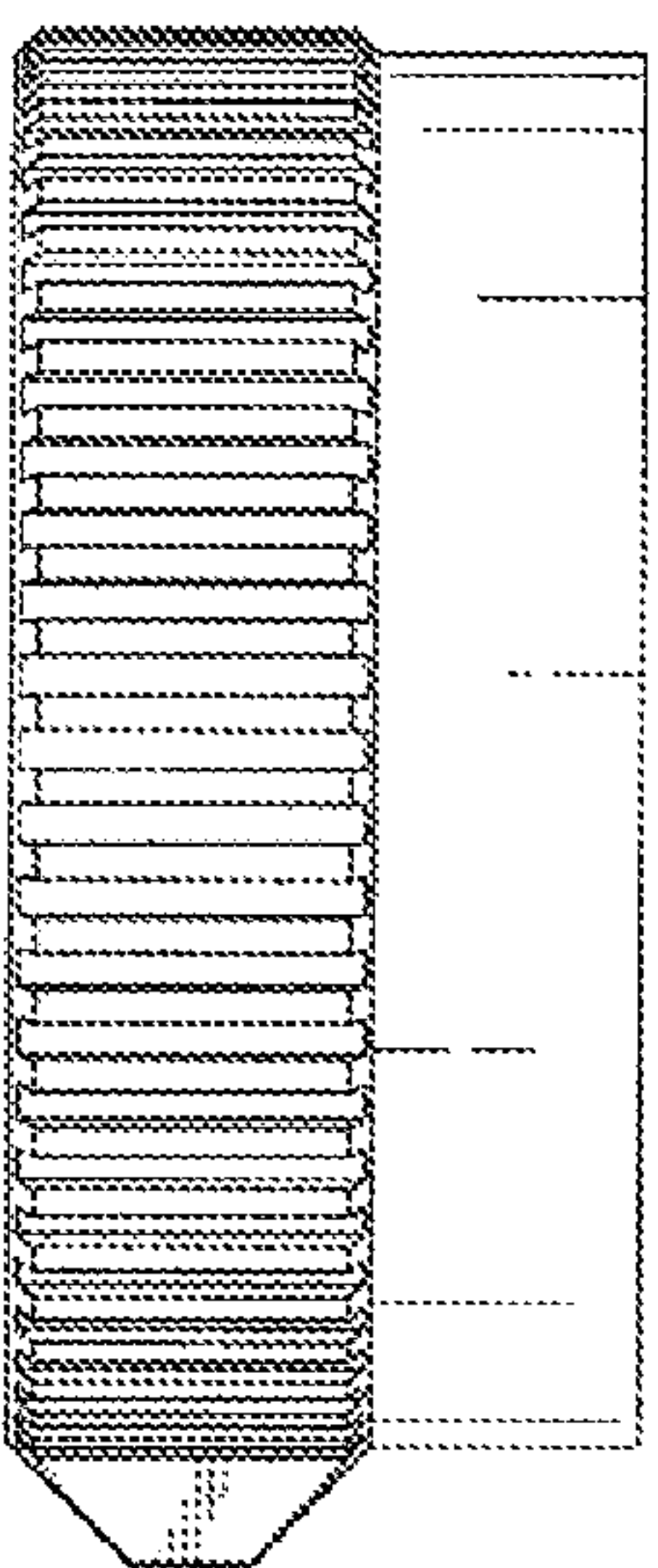


FIG. 16

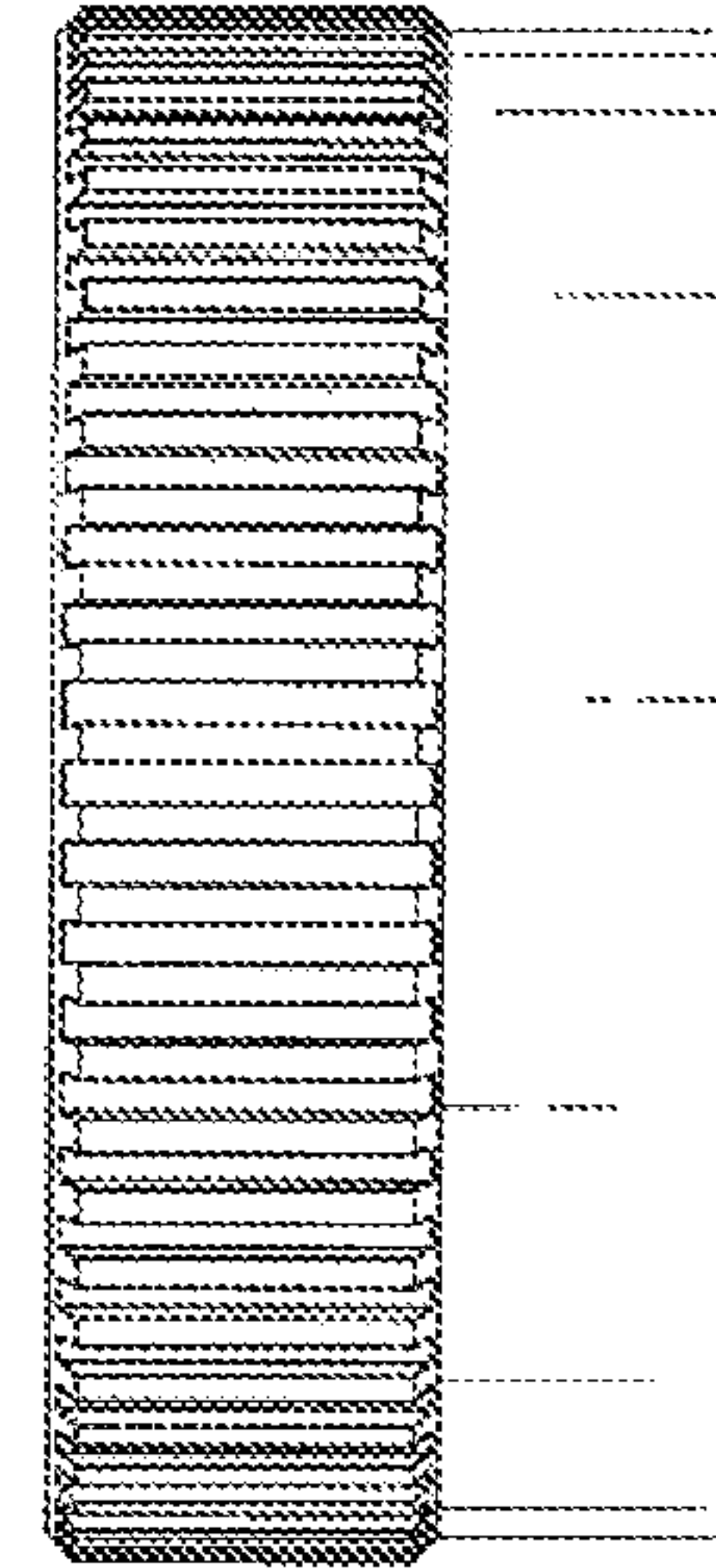


FIG. 17

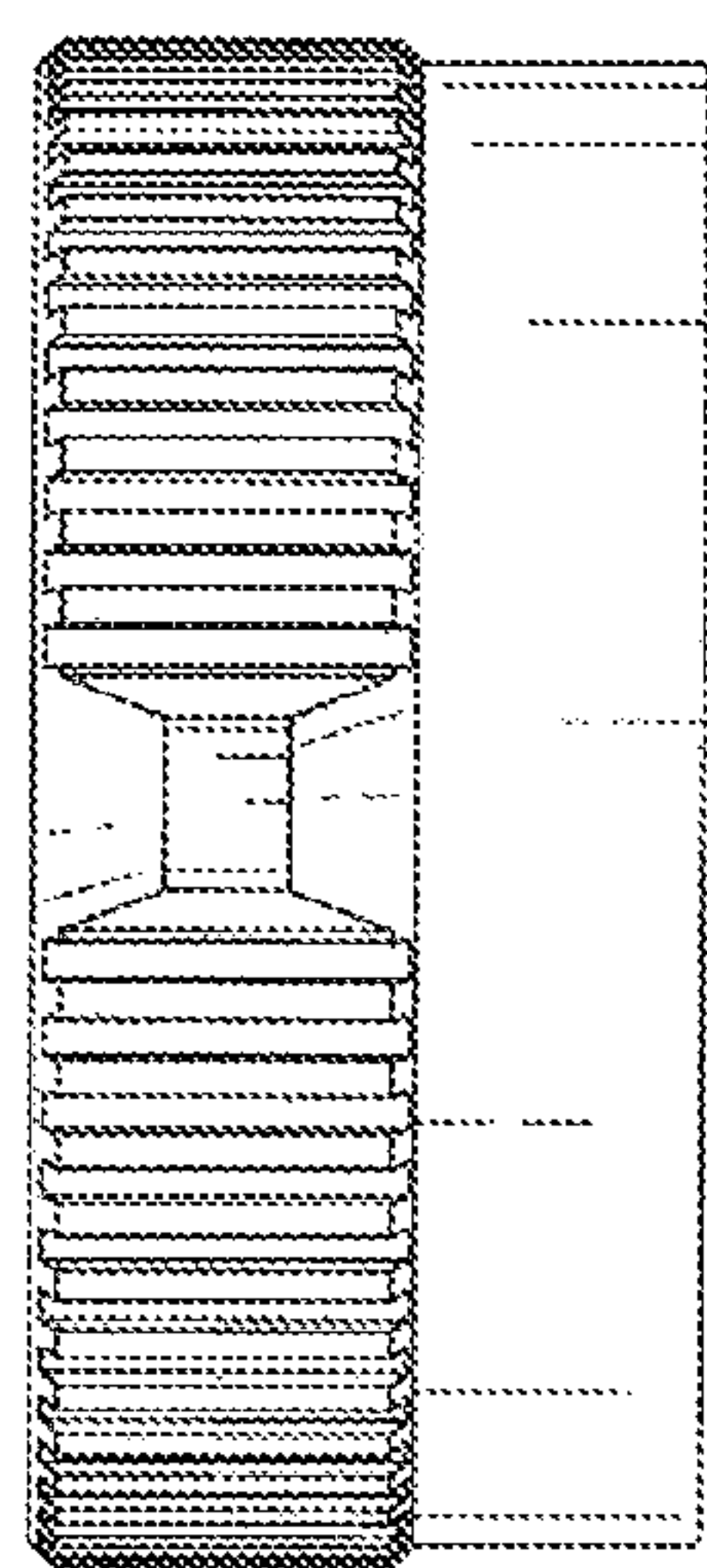


FIG. 18