

US00D679772S

(12) **United States Design Patent**
Mossberg, Jr.

(10) **Patent No.:** **US D679,772 S**

(45) **Date of Patent:** **** Apr. 9, 2013**

(54) **TACTICAL LEVER ACTION RIFLE**

(75) **Inventor:** **Alan Iver Mossberg, Jr.**, Branford, CT (US)

(73) **Assignee:** **O.F. Mossberg & Sons, Inc.**, North Haven, CT (US)

(**) **Term:** **14 Years**

(21) **Appl. No.:** **29/410,622**

(22) **Filed:** **Jan. 10, 2012**

(51) **LOC (9) Cl.** **22-01**

(52) **U.S. Cl.** **D22/103**

(58) **Field of Classification Search** D22/100,
D22/101, 103, 104, 108, 199; D21/572-575;
42/51, 71.01, 75.01, 75.02, 90, 94, 134, 136,
42/139, 125, 72, 111; 89/40.06, 41.19, 37.04,
89/33.04, 191.01, 200-204; 124/67, 66,
124/72, 74

See application file for complete search history.

(56) **References Cited**

U.S. PATENT DOCUMENTS

D190,286	S *	5/1961	Ryan	D21/573
3,075,511	A *	1/1963	Ryan	124/2
4,024,664	A *	5/1977	Murabito	42/70.08
D340,092	S *	10/1993	Carter	D21/573
6,578,307	B2 *	6/2003	Troyer	42/70.06
7,497,042	B2 *	3/2009	Barnett	42/16
7,624,528	B1 *	12/2009	Bell et al.	42/139
2005/0183312	A1 *	8/2005	Speaks	42/69.01
2006/0080880	A1 *	4/2006	Taylor et al.	42/69.02
2007/0006508	A1 *	1/2007	Baker et al.	42/71.02
2010/0275489	A1 *	11/2010	Cabahug et al.	42/71.01
2011/0056109	A1 *	3/2011	Farchione et al.	42/70.11

* cited by examiner

Primary Examiner — Michael A Pratt

(74) *Attorney, Agent, or Firm* — Donald S. Holland, Esq.;
Holland & Bonzagni, P.C.

(57) **CLAIM**

The ornamental design for a “tactical lever action rifle,” as shown and described.

DESCRIPTION

FIG. 1 is a top perspective view of a “tactical lever action rifle”, showing a first embodiment of my new design;

FIG. 2 is a bottom perspective view of the “tactical lever action rifle” of FIG. 1;

FIG. 3 is a side plan view of the “tactical lever action rifle” of FIG. 1;

FIG. 4 is an opposite side plan view of the “tactical lever action rifle” of FIG. 1;

FIG. 5 is a bottom plan view of the “tactical lever action rifle” of FIG. 1;

FIG. 6 is a top plan view of the “tactical lever action rifle” of FIG. 1;

FIG. 7 is a plan view of the “tactical lever action rifle”, taken along sight line 7-7 of FIG. 3;

FIG. 8 is a plan view of the “tactical lever action rifle”, taken along sight line 8-8 of FIG. 3;

FIG. 9 is a top perspective view of a second embodiment of my “tactical lever action rifle” design, with differences in the sight, bolt and area adjacent the bolt;

FIG. 10 is a bottom perspective view of the “tactical lever action rifle” of FIG. 9;

FIG. 11 is a side plan view of the “tactical lever action rifle” of FIG. 9;

FIG. 12 is an opposite side plan view of the “tactical lever action rifle” of FIG. 9;

FIG. 13 is a bottom plan view of the “tactical lever action rifle” of FIG. 9;

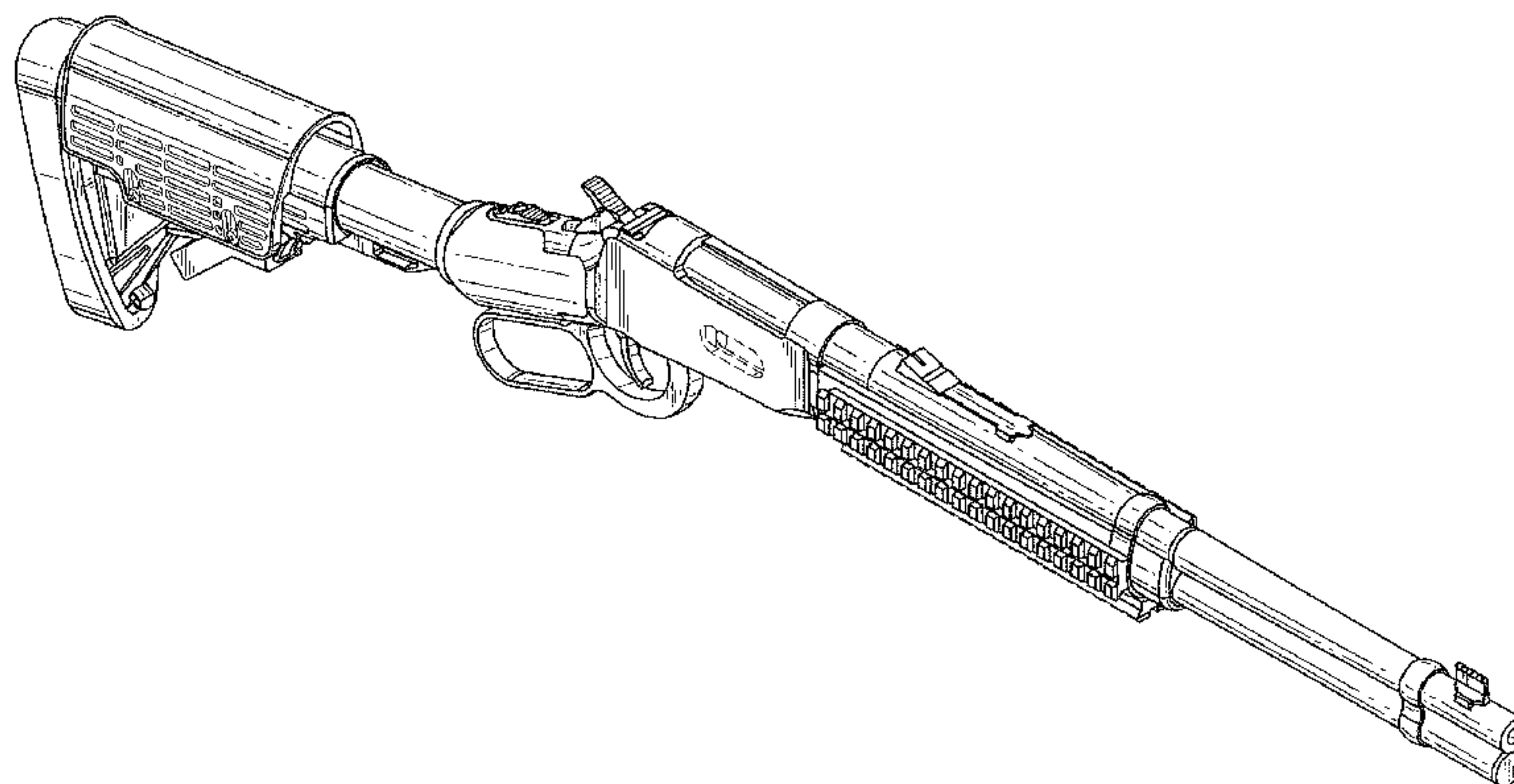
FIG. 14 is a top plan view of the “tactical lever action rifle” of FIG. 9;

FIG. 15 is a plan view of the “tactical lever action rifle”, taken along sight line 15-15 of FIG. 11; and,

FIG. 16 is a plan view of the “tactical lever action rifle”, taken along sight line 16-16 of FIG. 11.

The broken line showing of portions of the claimed design is included for the purpose of illustrating environment and forms no part of the claimed design.

1 Claim, 8 Drawing Sheets



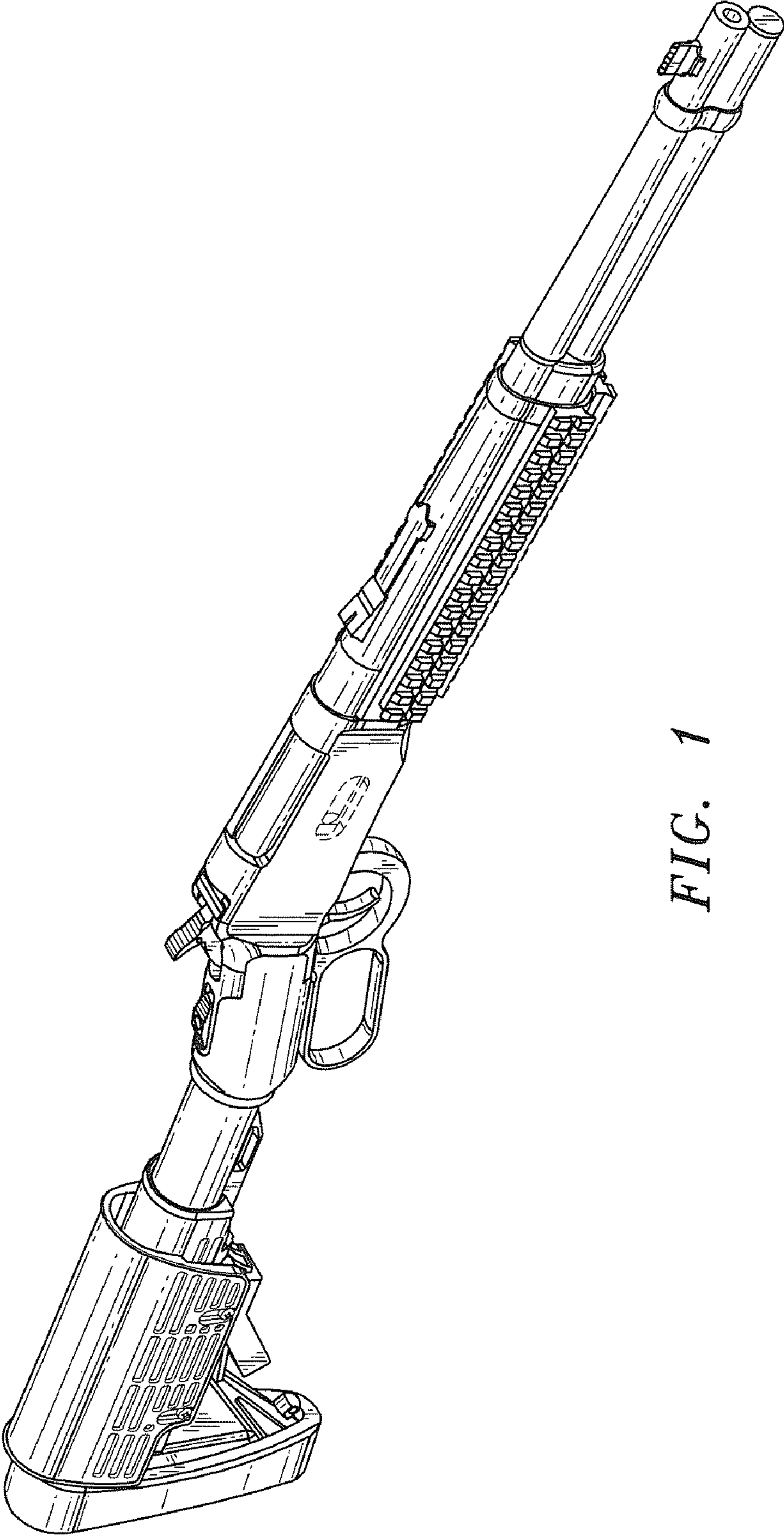


FIG. 1

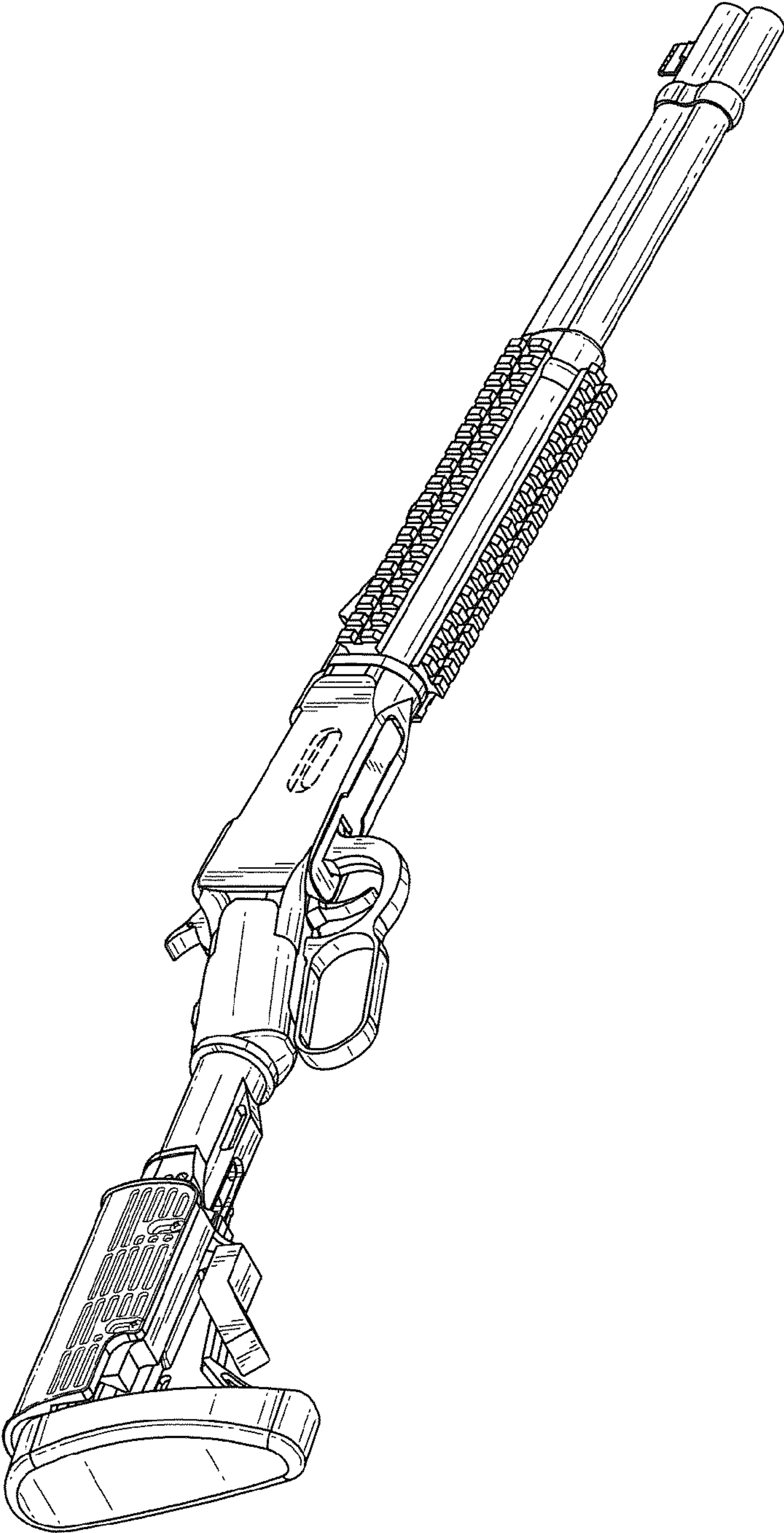
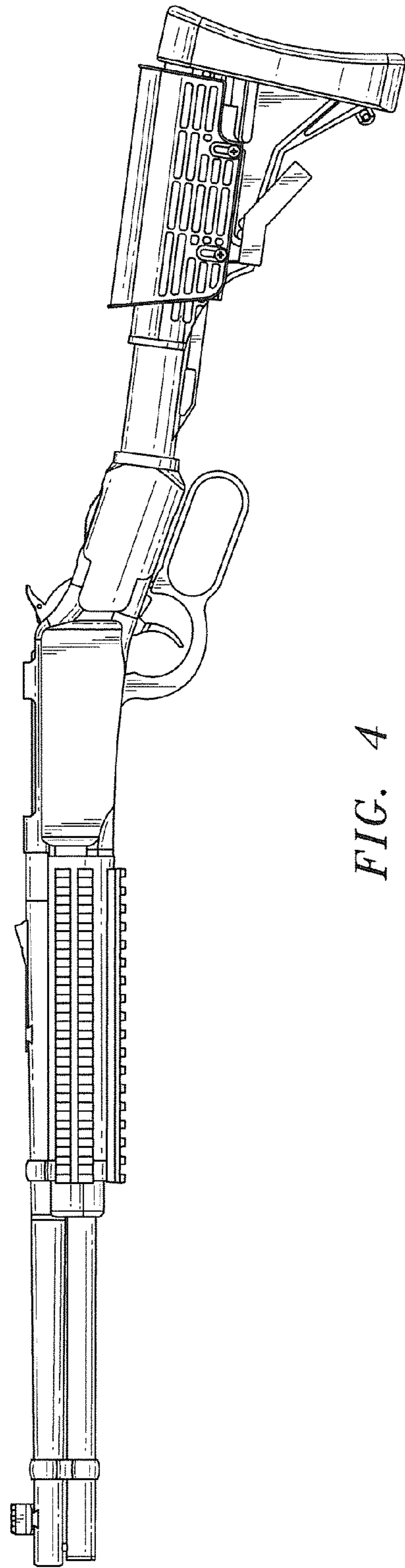
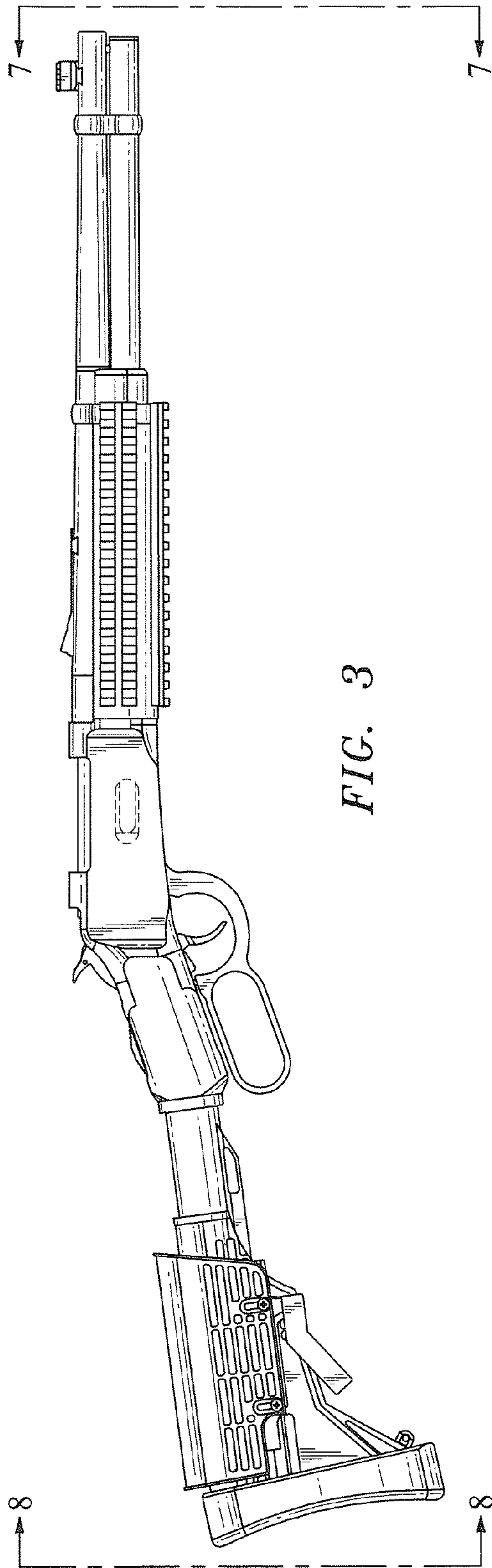


FIG. 2



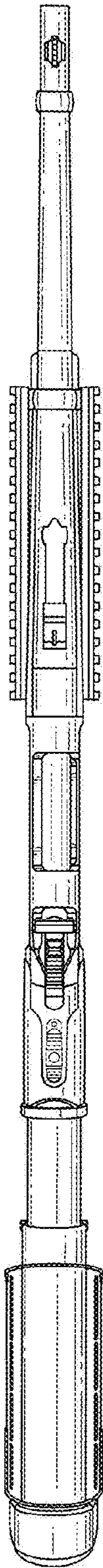


FIG. 5

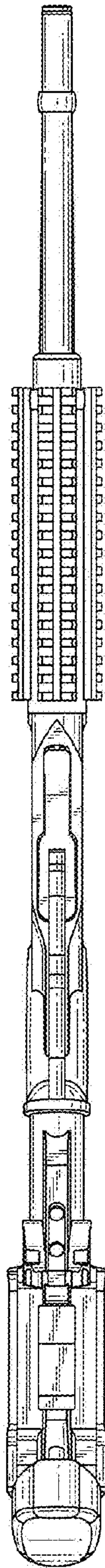


FIG. 6

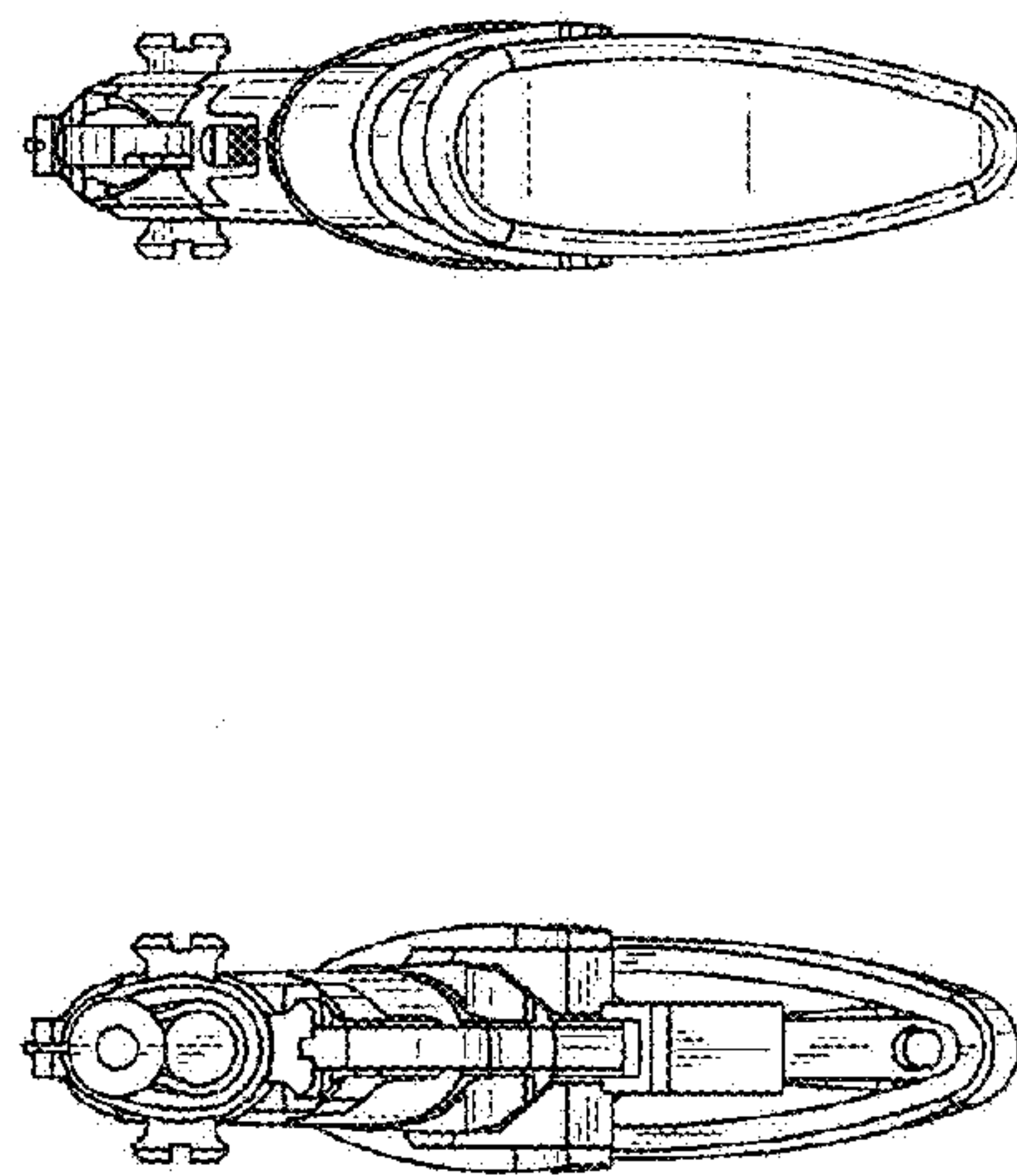


FIG. 7

FIG. 8

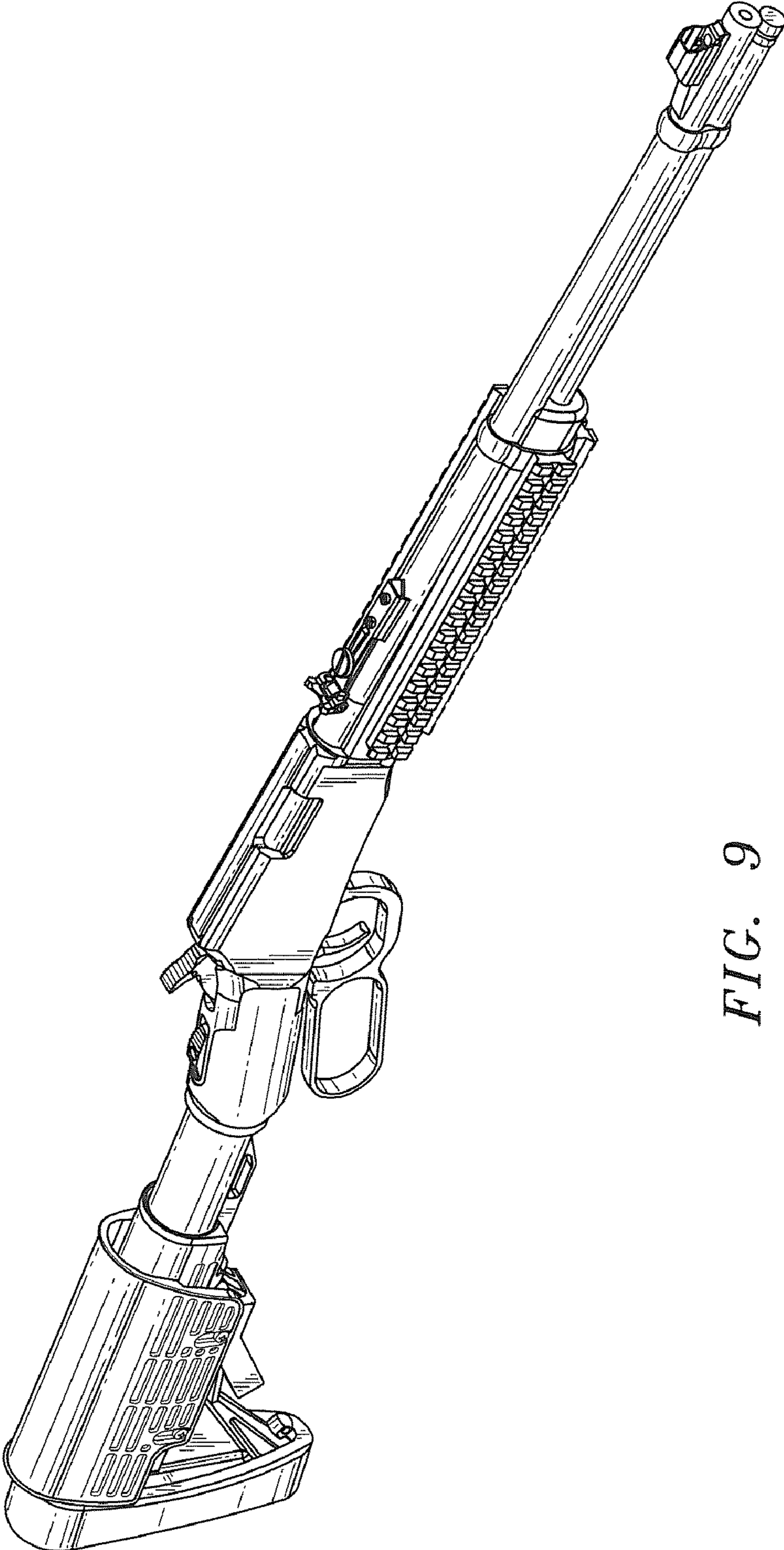


FIG. 9

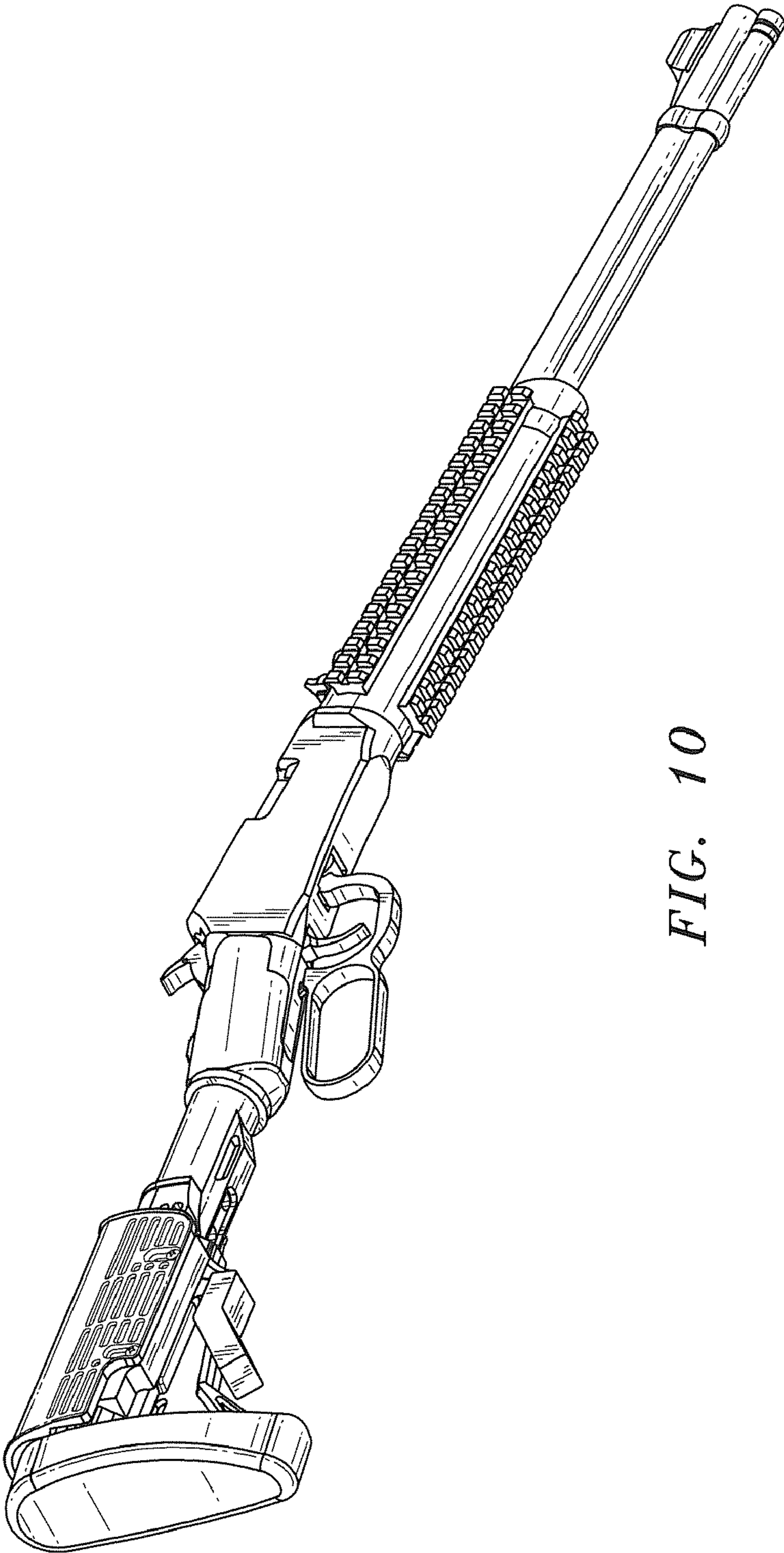
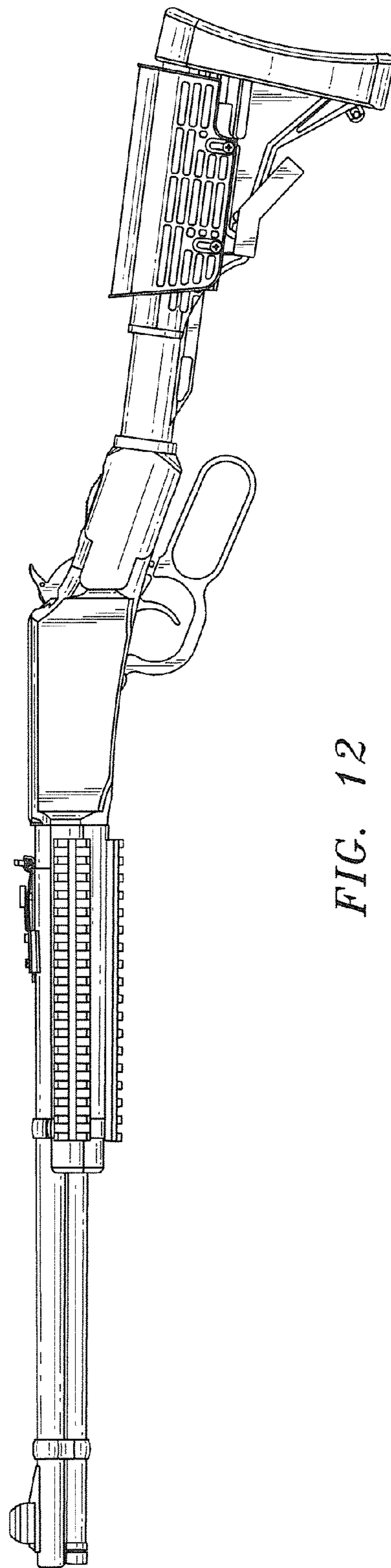
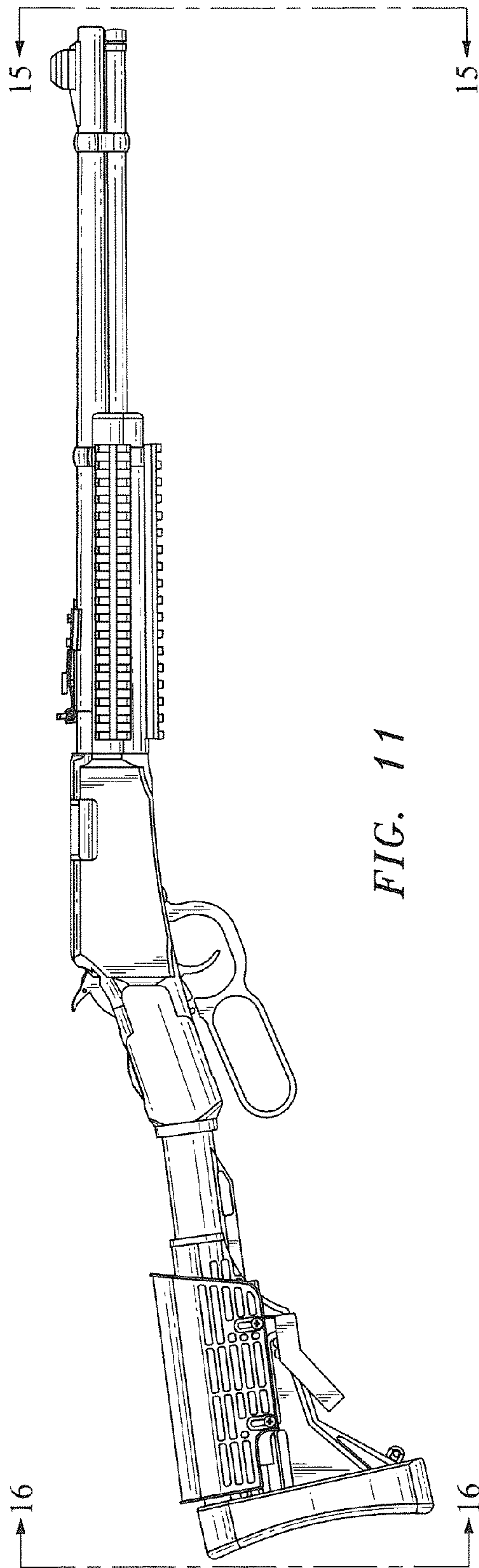


FIG. 10



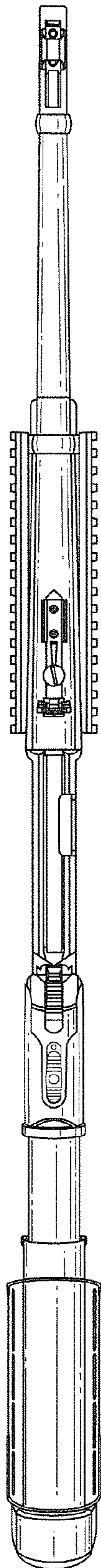


FIG. 13

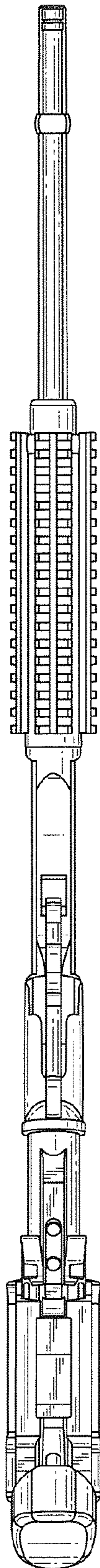


FIG. 14

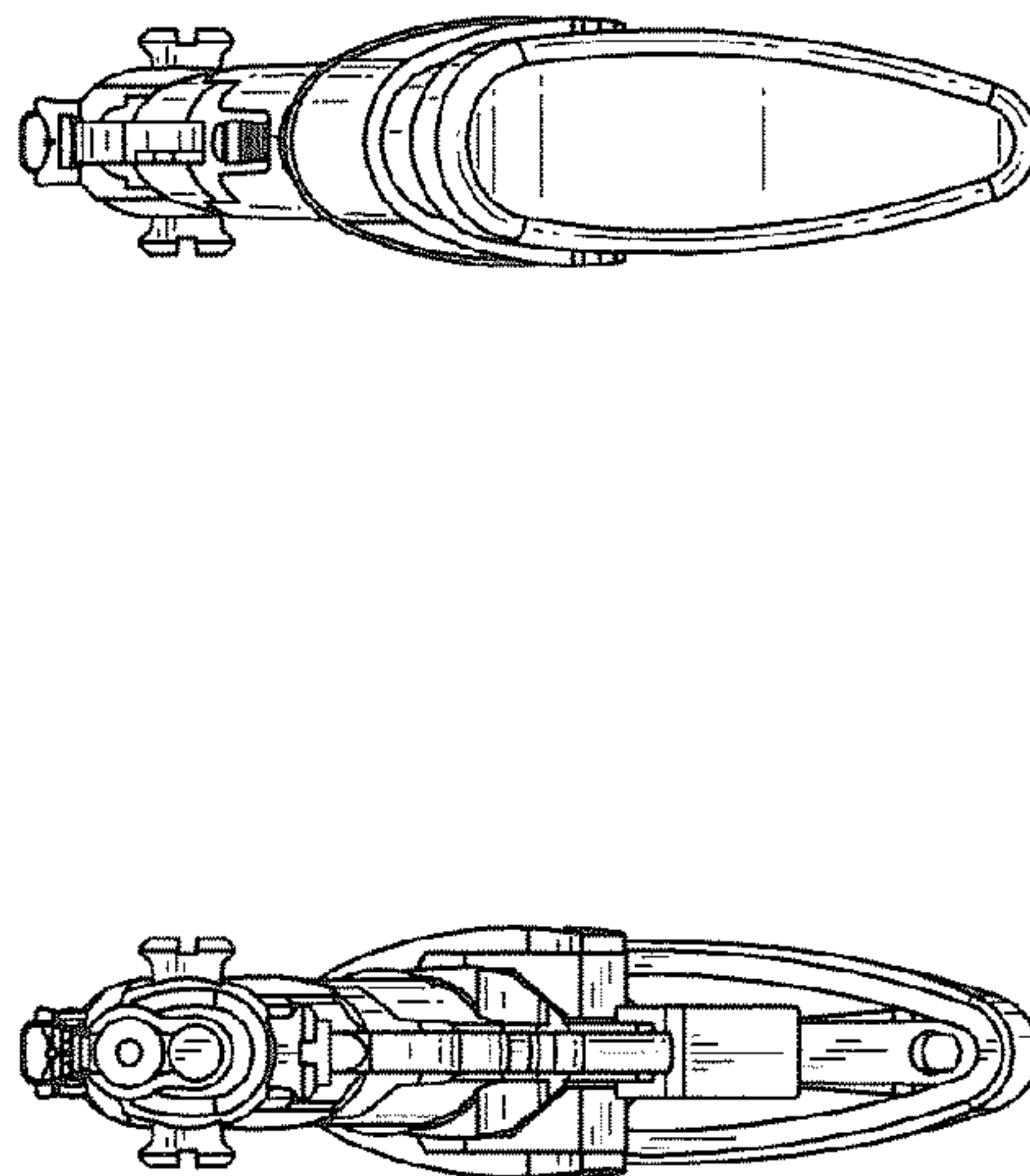


FIG. 16

FIG. 15