



US00D679769S

(12) **United States Design Patent**
Staten et al.

(10) **Patent No.:** **US D679,769 S**

(45) **Date of Patent:** **** Apr. 9, 2013**

(54) **FOOTBALL BLOCKER PAD**

(75) Inventors: **Kenneth E. Staten**, Clare, MI (US);
Kyle R. Camp, Clare, MI (US)

(73) Assignee: **Rogers Athletic Company**, Clare, MI (US)

(**) Term: **14 Years**

(21) Appl. No.: **29/389,145**

(22) Filed: **Apr. 7, 2011**

(51) **LOC (9) Cl.** **21-02**

(52) **U.S. Cl.** **D21/788**

(58) **Field of Classification Search** D21/662,
D21/675, 680, 683, 694, 698, 787, 788, 798,
D21/800; D20/31, 32; 473/415-504; 482/14,
482/51, 83-90, 92-94, 110, 121, 122, 129,
482/131, 132, 135, 138, 139; 434/247, 251,
434/255, 256, 257; 223/66, 67, 68, 120

See application file for complete search history.

(56) **References Cited**

U.S. PATENT DOCUMENTS

3,082,920	A *	3/1963	Stein et al.	223/67
3,827,690	A *	8/1974	Rogers	473/445
3,833,158	A *	9/1974	Cavrich	223/68
D239,849	S *	5/1976	Kopp	D21/788
4,645,101	A *	2/1987	Muller	223/66
5,897,466	A *	4/1999	Capach	482/83
6,261,194	B1 *	7/2001	Hadar et al.	473/441
6,309,327	B1 *	10/2001	Hallberg	482/83
D473,266	S *	4/2003	Seymour	D20/31

6,942,585	B1 *	9/2005	Krause	473/445
7,056,238	B1 *	6/2006	Brown	473/444
D550,790	S *	9/2007	Staten	D21/694
D591,980	S *	5/2009	Brinson et al.	D6/450
7,794,337	B2 *	9/2010	Gamboia	473/441
2011/0152014	A1 *	6/2011	Staten et al.	473/445

FOREIGN PATENT DOCUMENTS

FR 053783-001 * 1/2006

OTHER PUBLICATIONS

GIS Greg Larson Sports 2002 Full Line Catalog: 1) pp. 214 & 215—"Man" and "T" sled pads shown on right hand side of page 2) p. 216—item Nos. HD-104, HD-130 & HD-800.*

* cited by examiner

Primary Examiner — Catherine Tuttle

(74) *Attorney, Agent, or Firm* — Carlson, Gaskey & Olds PC

(57) **CLAIM**

We claim the ornamental design for a football blocker pad, as shown and described.

DESCRIPTION

FIG. 1 is a rear perspective view of the football blocker pad showing our new design;

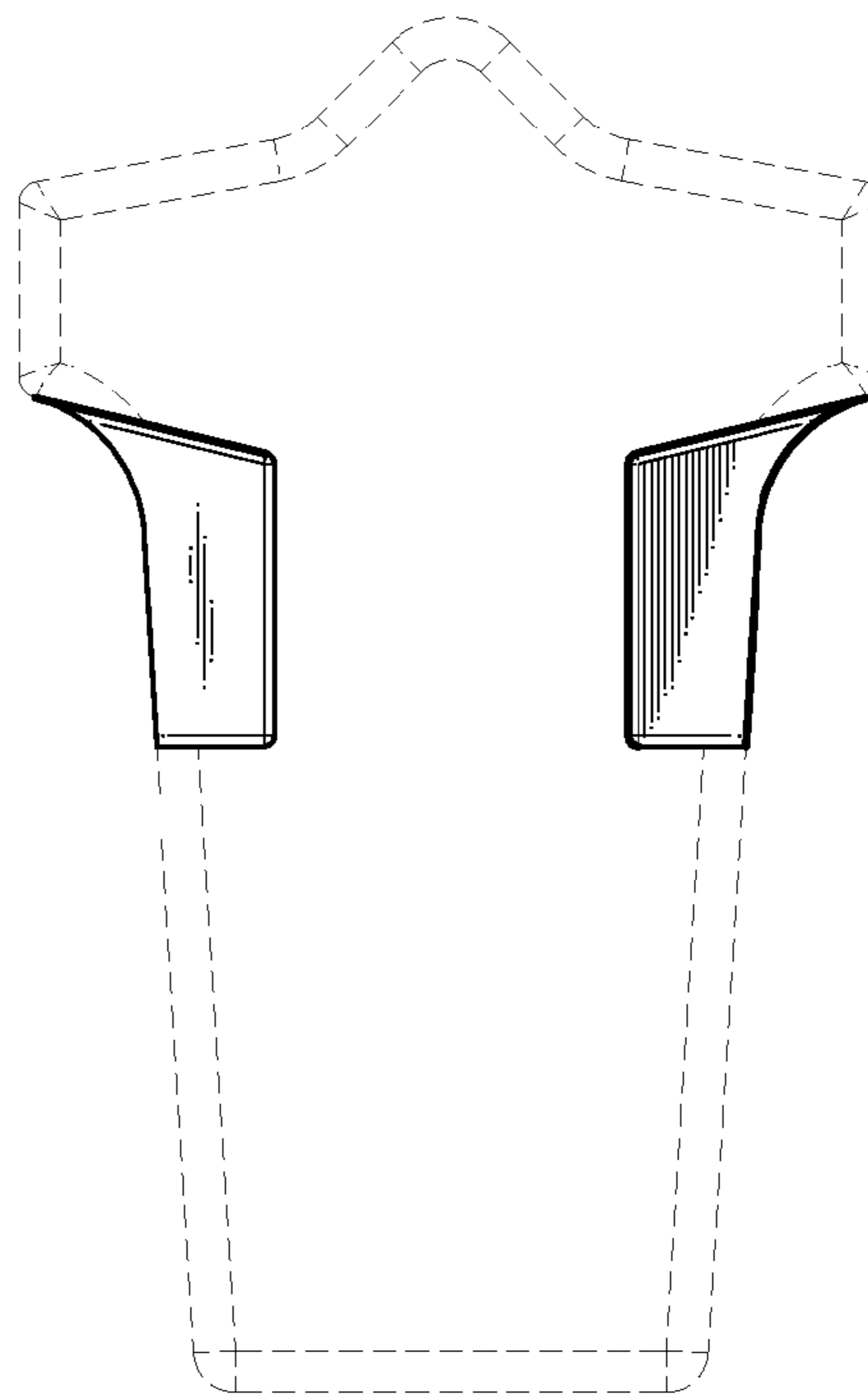
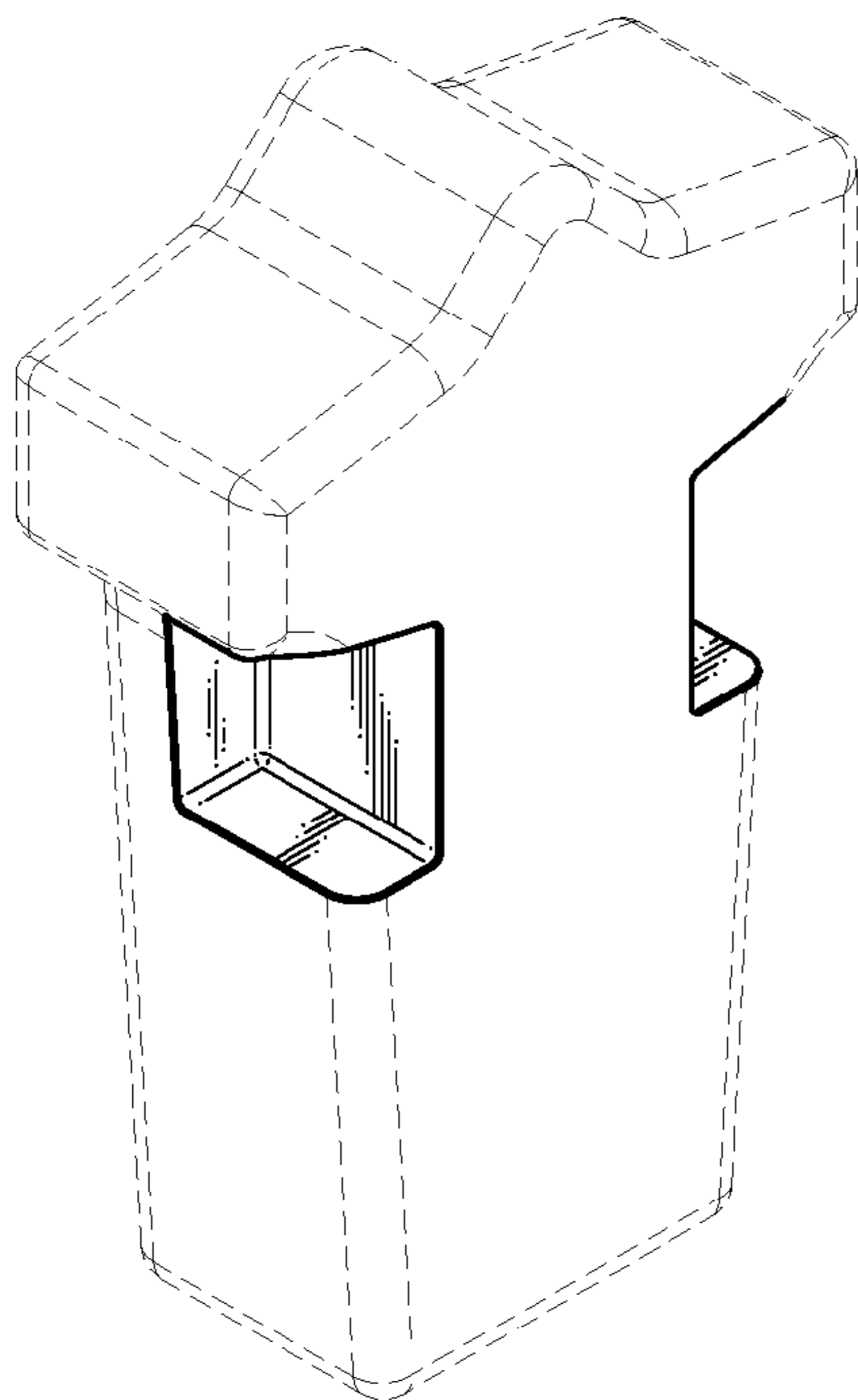
FIG. 2 is a front view thereof;

FIG. 3 is a side view thereof; and,

FIG. 4 is a rear view thereof.

The broken lines are included for the purpose of illustration portions of the football blocker pad that form no part of the claimed design.

1 Claim, 1 Drawing Sheet



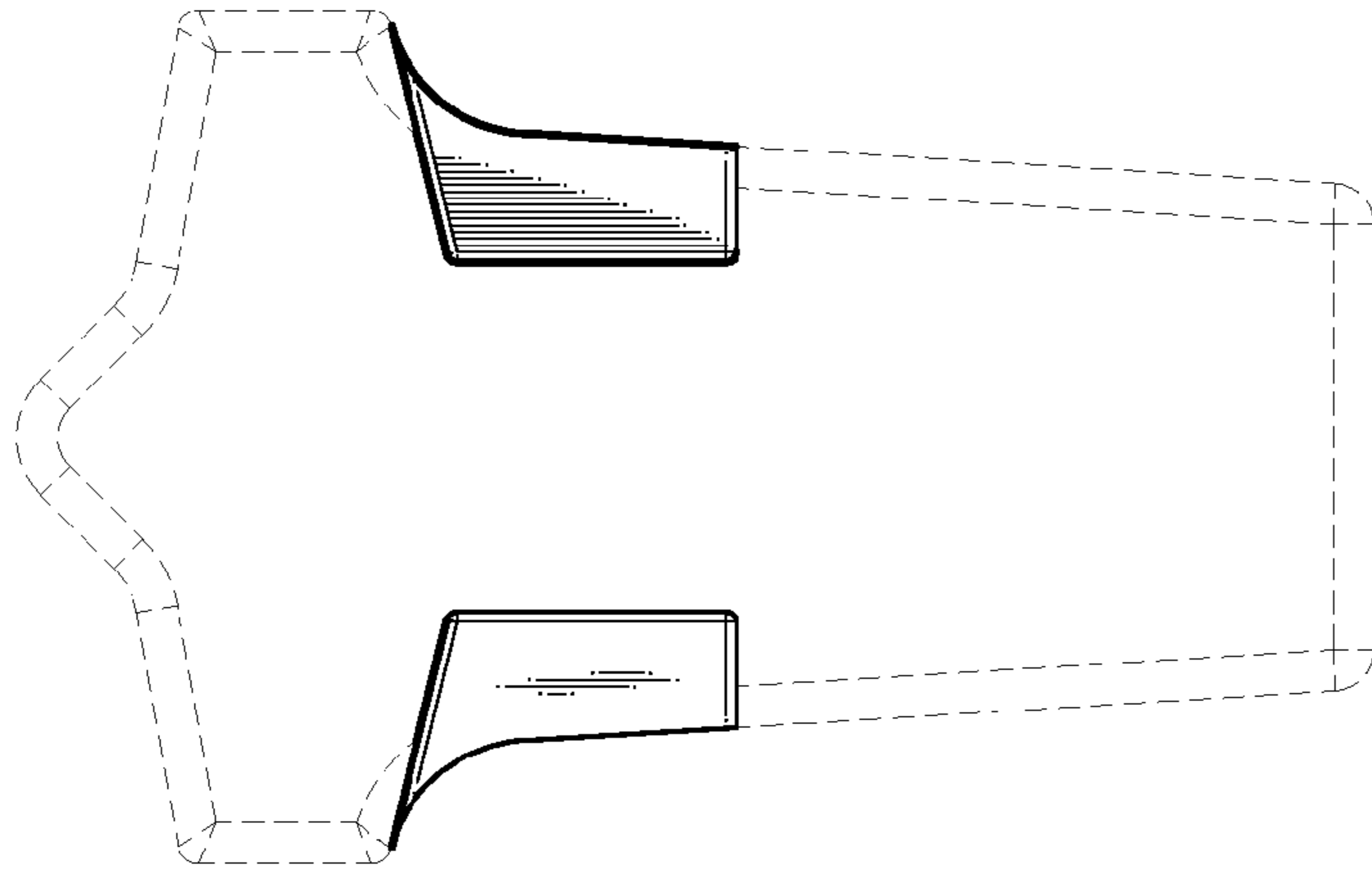


FIG.1

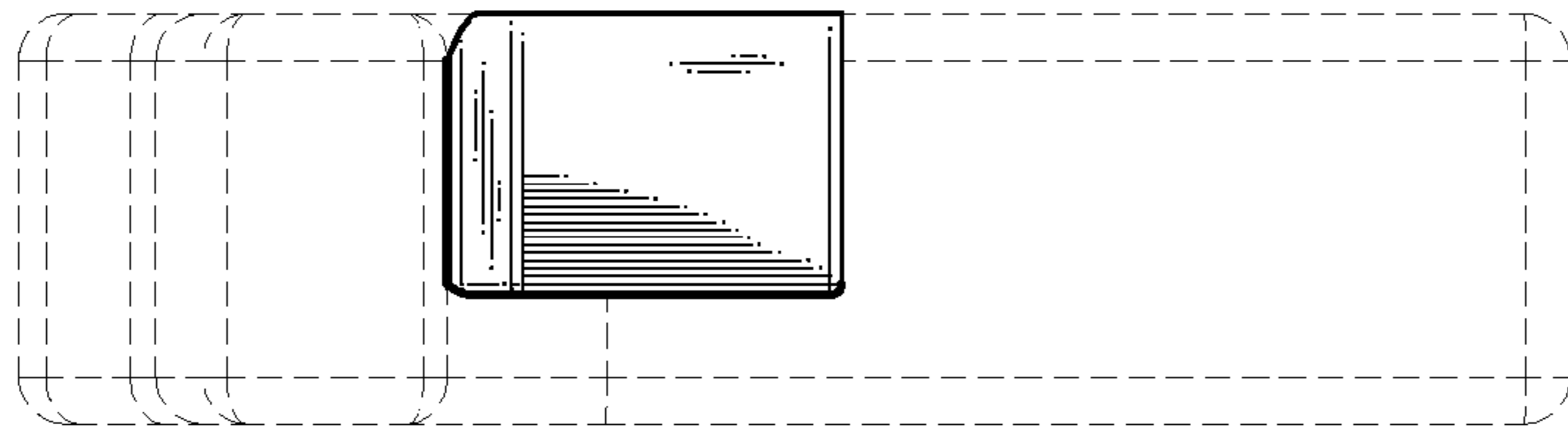


FIG.2

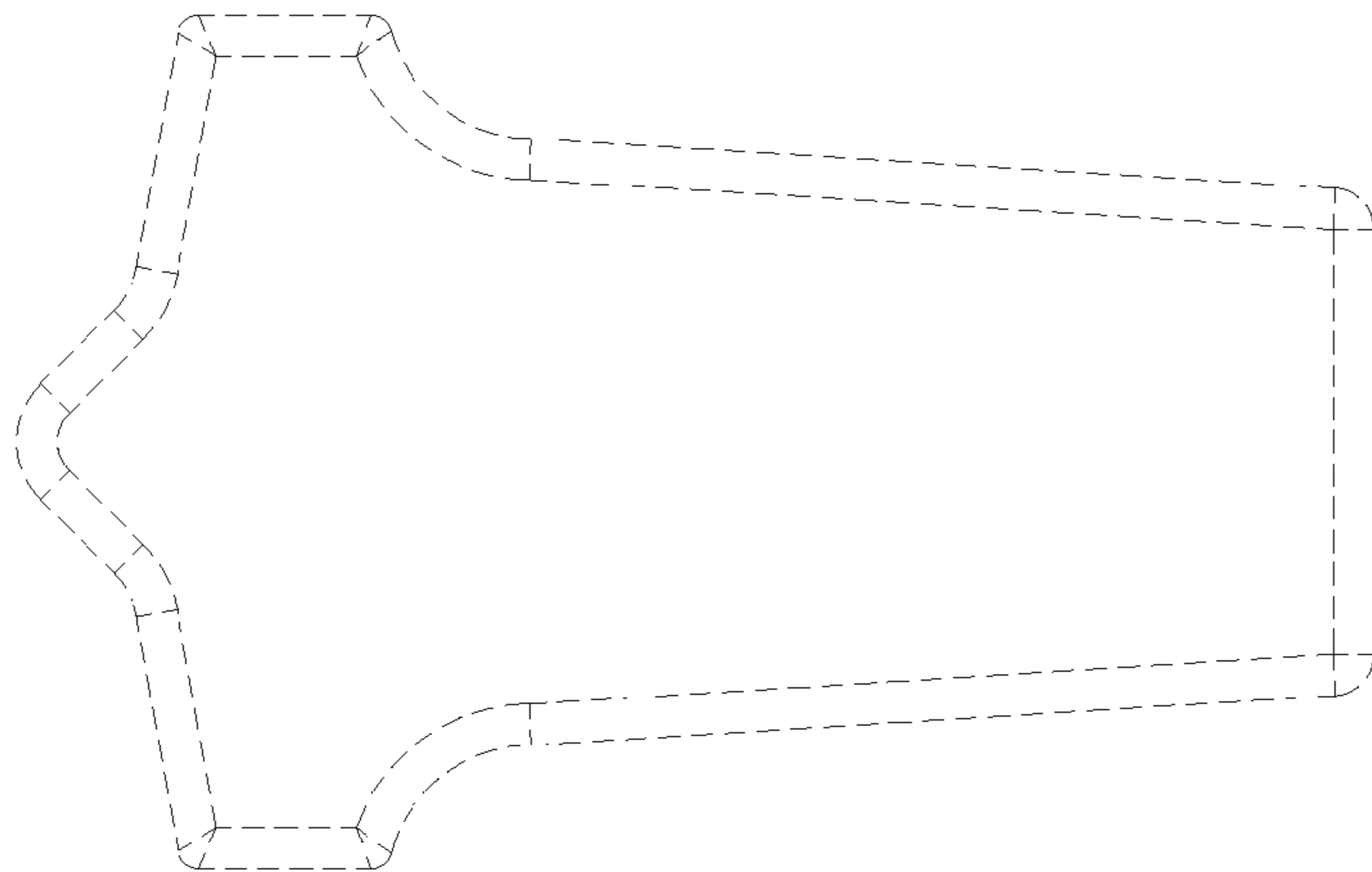


FIG.3

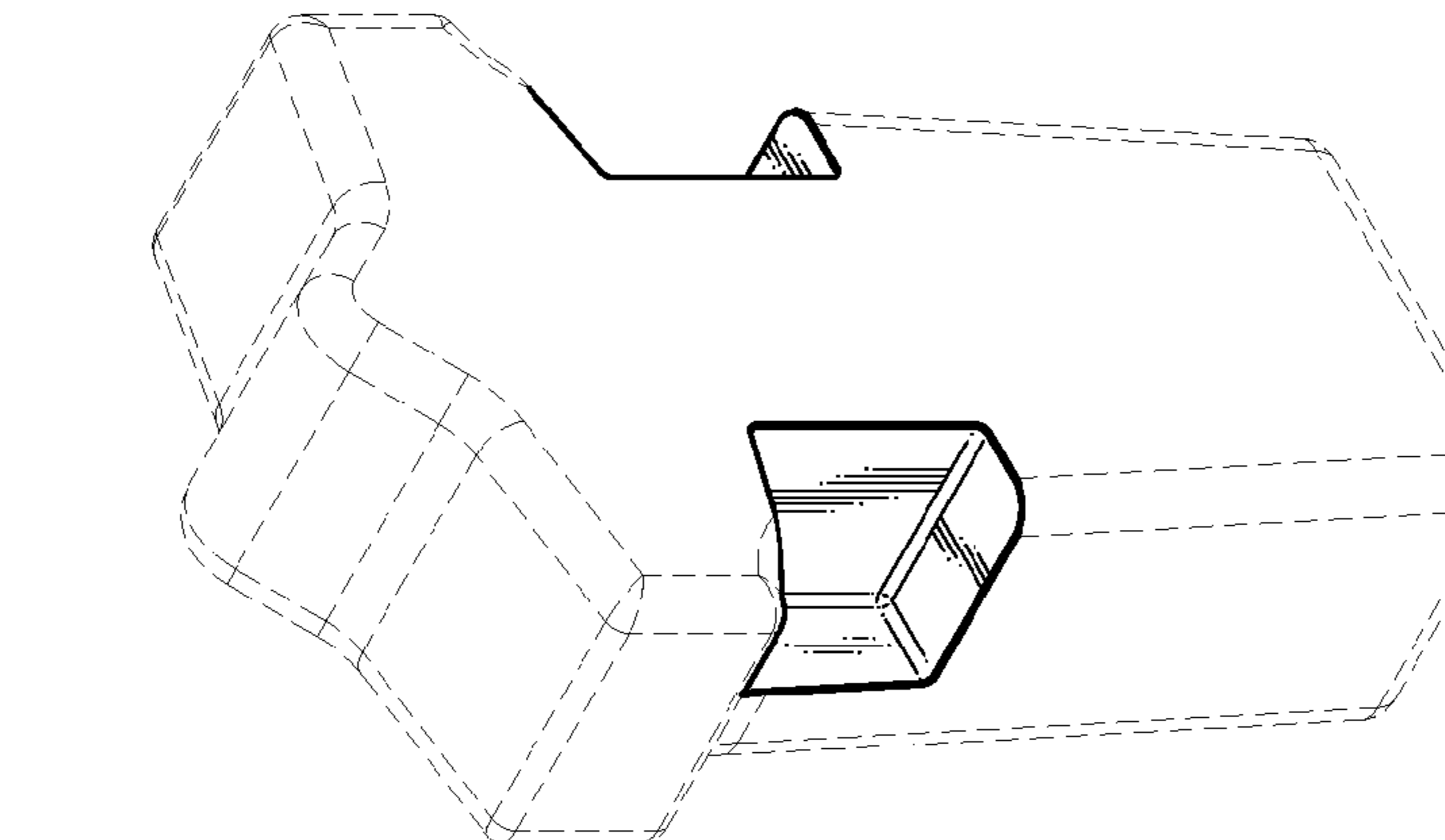


FIG.4