



US00D679767S

(12) **United States Design Patent**
Lowe

(10) **Patent No.:** **US D679,767 S**

(45) **Date of Patent:** **** Apr. 9, 2013**

(54) **MINIATURE VEHICLE TRACK**
(75) Inventor: **Thomas E. Lowe**, South Bend, IN (US)
(73) Assignee: **Round 2, LLC**, South Bend, IN (US)
(**) Term: **14 Years**

D317,186 S * 5/1991 Schaefer D21/565
D325,758 S * 4/1992 Black D21/565
D326,694 S * 6/1992 Suzuki D21/565
D361,802 S * 8/1995 Shiraishi D21/564
D493,849 S * 8/2004 Elia D21/565
D651,661 S * 1/2012 Yuen D21/565
D654,121 S * 2/2012 Mimlitch et al. D21/565

* cited by examiner

(21) Appl. No.: **29/381,132**

Primary Examiner — Cynthia M Chin

(22) Filed: **Dec. 15, 2010**

(74) *Attorney, Agent, or Firm* — Botkin & Hall, LLP

(51) **LOC (9) Cl.** **21-01**

(52) **U.S. Cl.** **D21/765**

(58) **Field of Classification Search** D21/484,
D21/490, 493, 564, 565, 802, 818, 821;
446/168–174, 84, 89, 108, 112, 114, 116,
446/124–128, 429, 444–447; 463/58–69;
238/10 R, 10 A–10 C, 10 E, 10 F; 104/60,
104/69

See application file for complete search history.

(57) **CLAIM**

The ornamental design for a miniature vehicle track, as shown and described.

DESCRIPTION

FIG. 1 is a front perspective view of the finishing segment of a miniature vehicle track showing my new design, the bottom is flat and devoid of surface ornamentation;

FIG. 2 is a right view thereof;

FIG. 3 is a left view thereof;

FIG. 4 is a top plan view thereof;

FIG. 5 is a front view thereof; and,

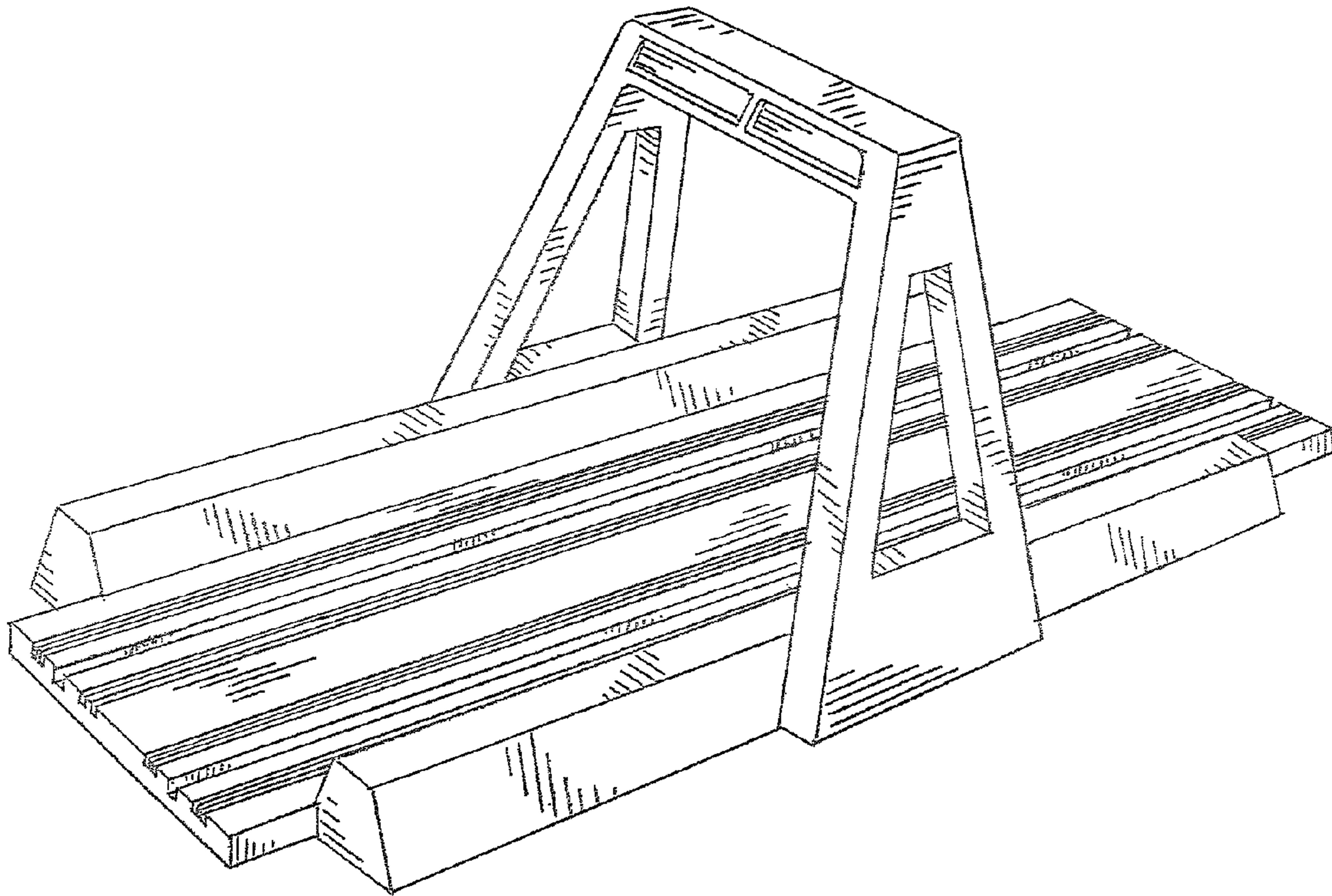
FIG. 6 is a rear view thereof.

(56) **References Cited**

U.S. PATENT DOCUMENTS

1,864,323 A * 6/1932 Sheridan 104/124
2,161,276 A * 6/1939 Bonnett 238/10 E
D173,940 S * 2/1955 Di Stasi D21/565

1 Claim, 4 Drawing Sheets



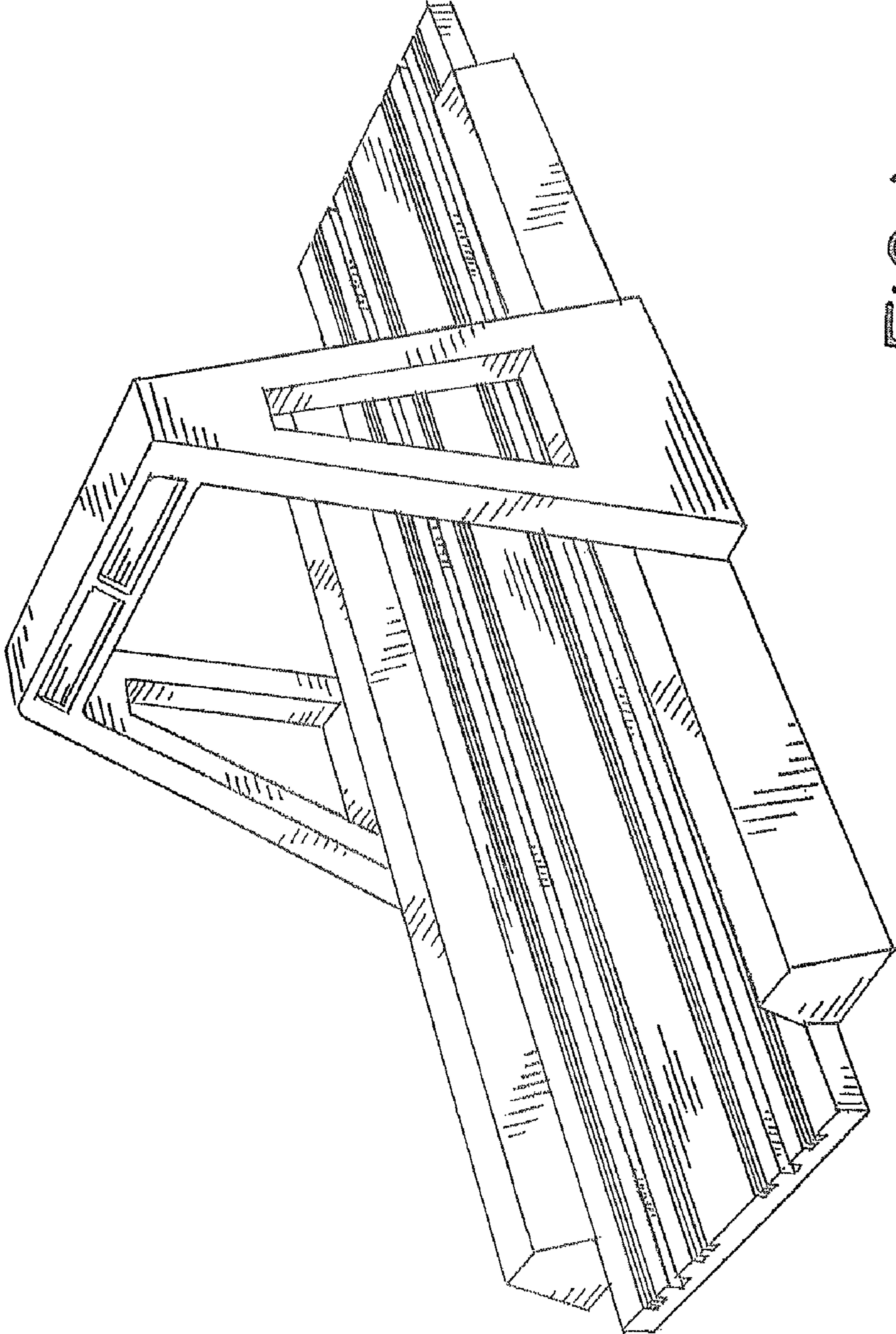


FIG. 1

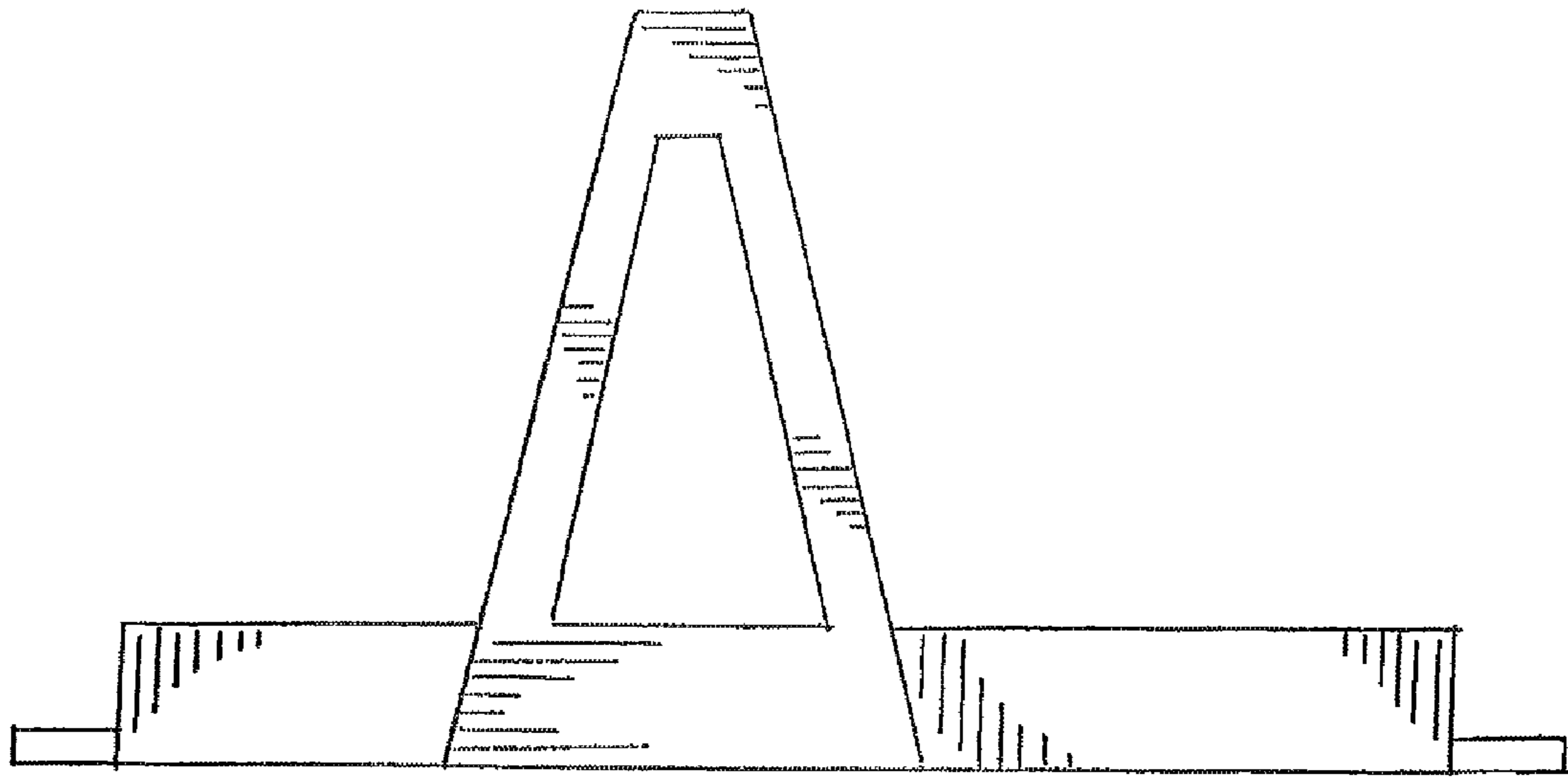


FIG. 2

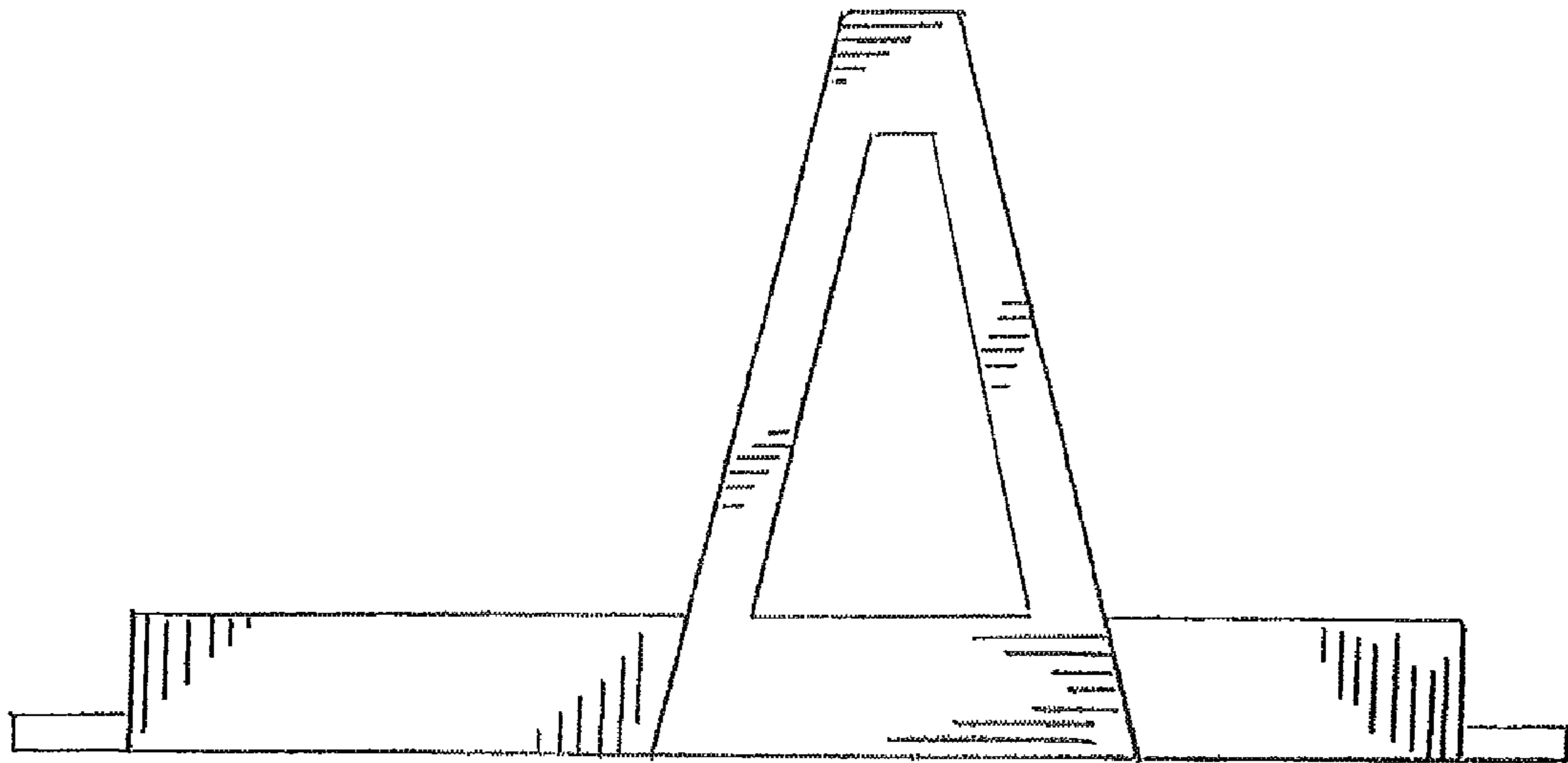


FIG. 3

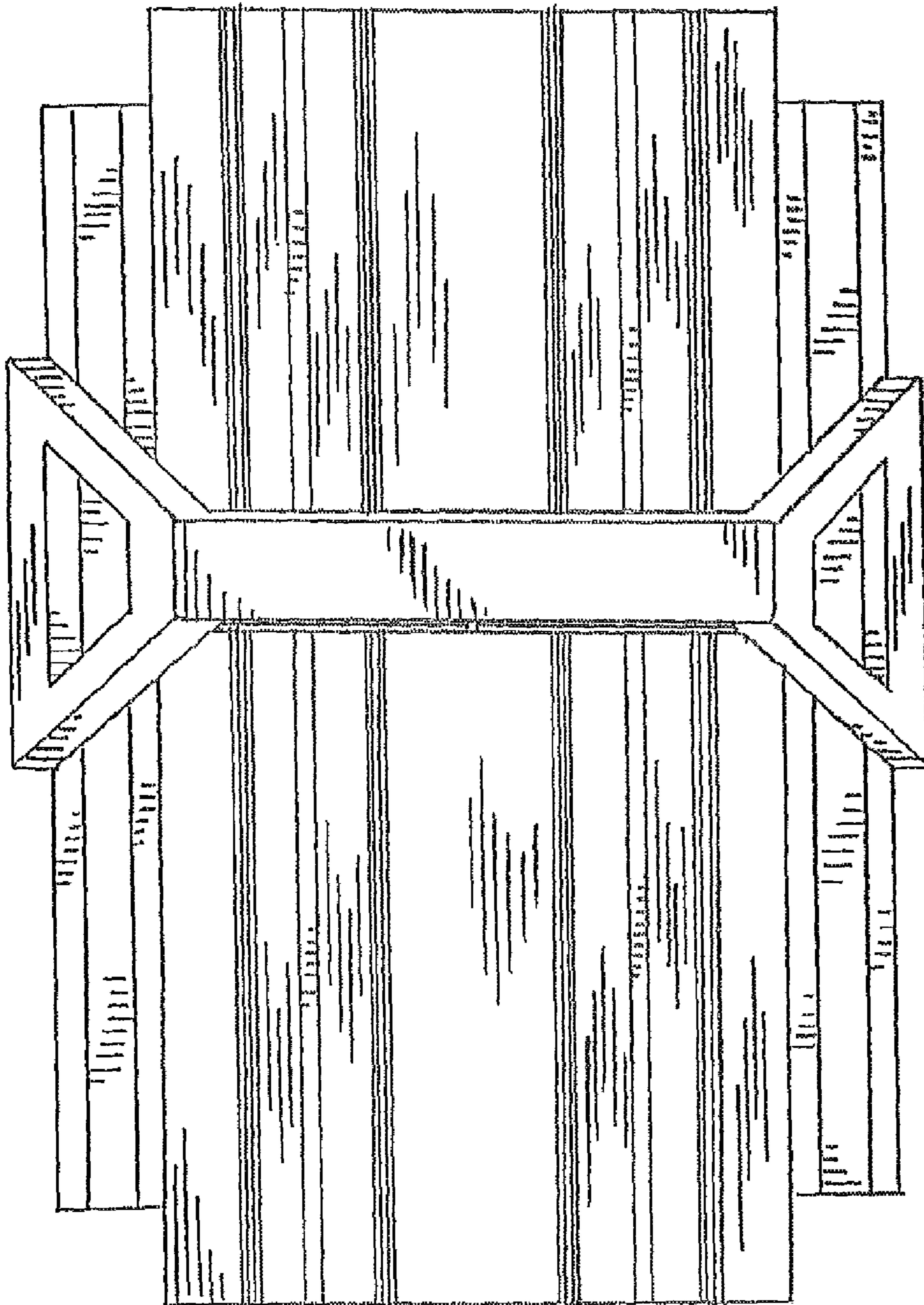


FIG. 4

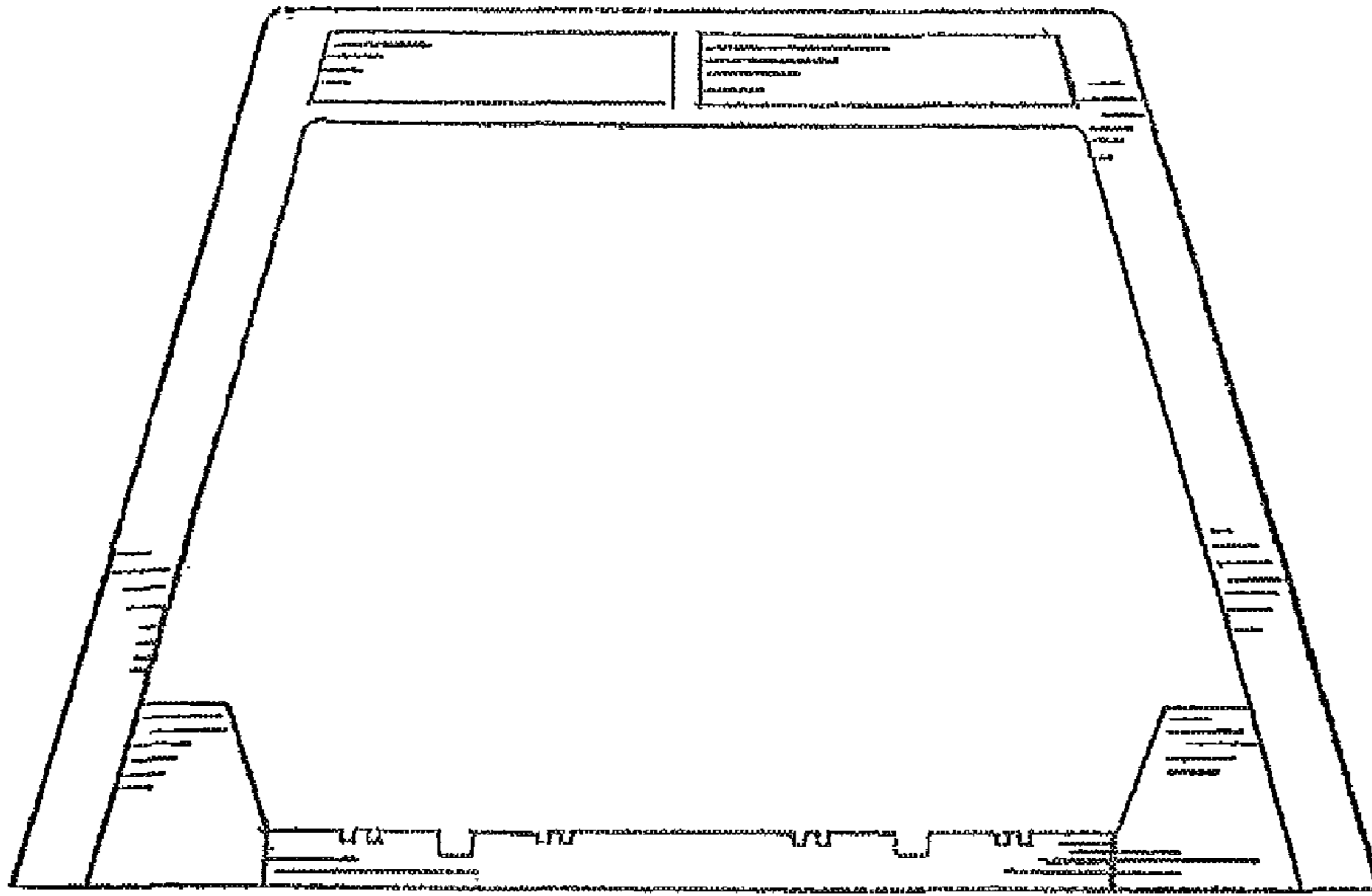


FIG. 5

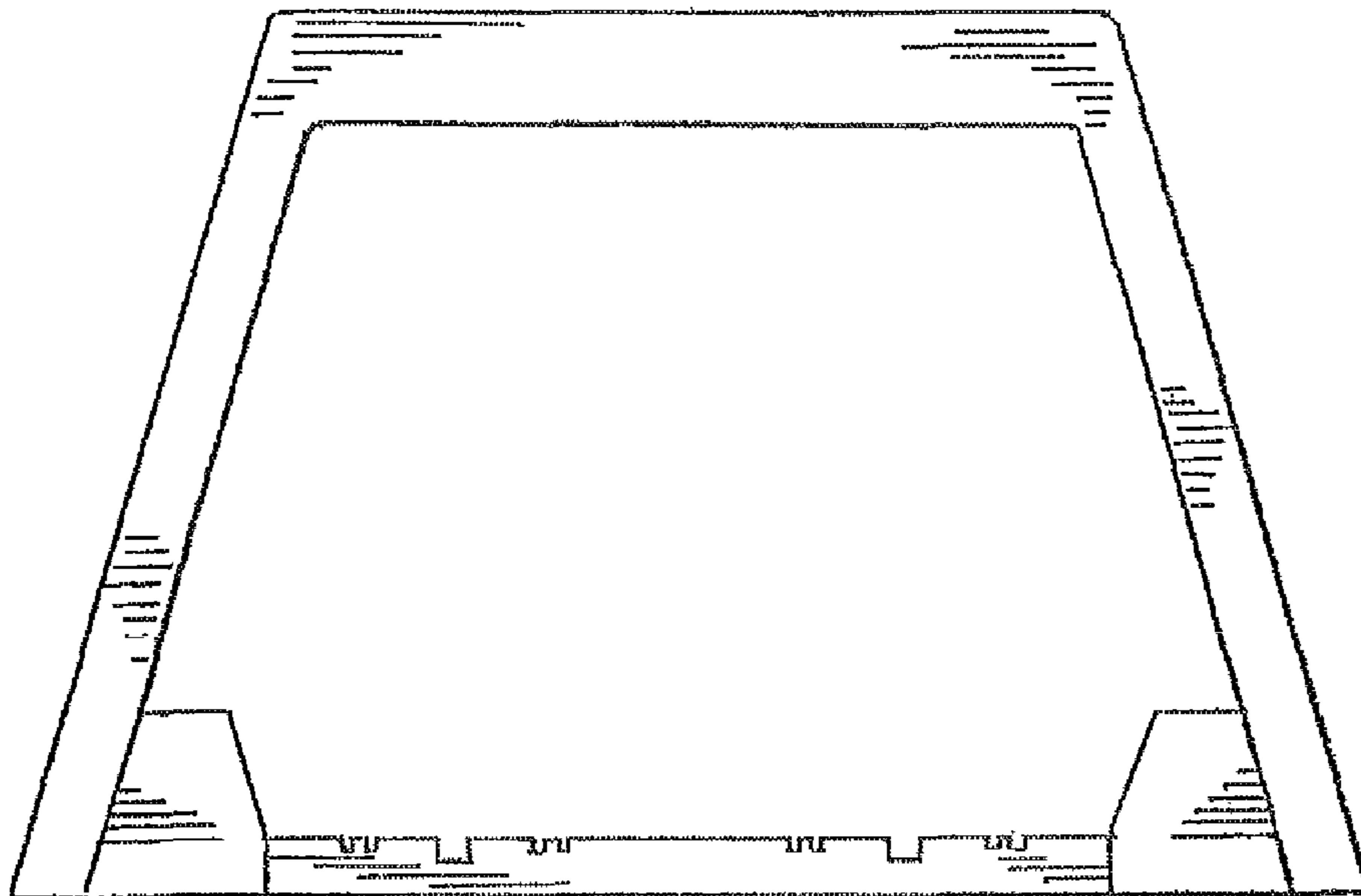


FIG. 6