



US00D679766S

(12) **United States Design Patent**
Piot

(10) **Patent No.:** **US D679,766 S**

(45) **Date of Patent:** **** Apr. 9, 2013**

(54) **FOOTBALL TRAINING AID**

(75) Inventor: **Maurice V. Piot**, Millstadt, IL (US)

(73) Assignee: **Dead On Sports LLC**, Millstadt, IL (US)

(**) Term: **14 Years**

(21) Appl. No.: **29/387,546**

(22) Filed: **Mar. 15, 2011**

(51) **LOC (9) Cl.** **21-02**

(52) **U.S. Cl.**
USPC **D21/699**; D21/705; D21/788

(58) **Field of Classification Search** D21/302-306,
D21/698-705, 780, 788, 790; 473/415-504;
273/317-412

See application file for complete search history.

(56) **References Cited**

U.S. PATENT DOCUMENTS

179,150 A * 6/1876 Belknap 273/396
1,142,184 A * 6/1915 Lawrence 473/454

(Continued)

FOREIGN PATENT DOCUMENTS

EM D1277022 * 7/2006
EM 001041560-0004 * 4/2009
JP D1307109 * 8/2007

OTHER PUBLICATIONS

GLS Greg Larson Sports 2002 Full Line Catalog: p. 304—target assembly shown in upper right corner photo.*

Primary Examiner — Catherine Tuttle

(74) *Attorney, Agent, or Firm* — Thompson Coburn LLP

(57) **CLAIM**

The ornamental design for a football training aid, as shown and described.

DESCRIPTION

FIG. 1 is a front view showing my new design for a football training aid;

FIG. 2 is a front view of a second embodiment of my new design for the football training aid;

FIG. 3 is a front view showing a third embodiment of my new design for the football training aid;

FIG. 4 is a front view of showing a fourth embodiment of my new design for the football training aid;

FIG. 5 is a front view of showing a fifth embodiment of my new design for the football training aid;

FIG. 6 is a front view showing a sixth embodiment of my new design for the football training aid;

FIG. 7 is a front view showing the support panel component of FIGS. 1-6 as it appears when separated from the target panel component;

FIG. 8 is a rear view of FIG. 7;

FIG. 9 is a right side view of FIG. 7, the opposing left side view being identical thereto;

FIG. 10 is a top view of FIG. 7, the opposing bottom view being identical thereto;

FIG. 11 is a front view showing the target panel component in FIGS. 1 and 2 as it appears when separated from the support panel component;

FIG. 12 is a front view showing the target panel component in FIGS. 3 and 4 as it appears when separated from the support panel component;

FIG. 13 is a front view showing the target panel component in FIGS. 5 and 6 as it appears when separated from the support panel component;

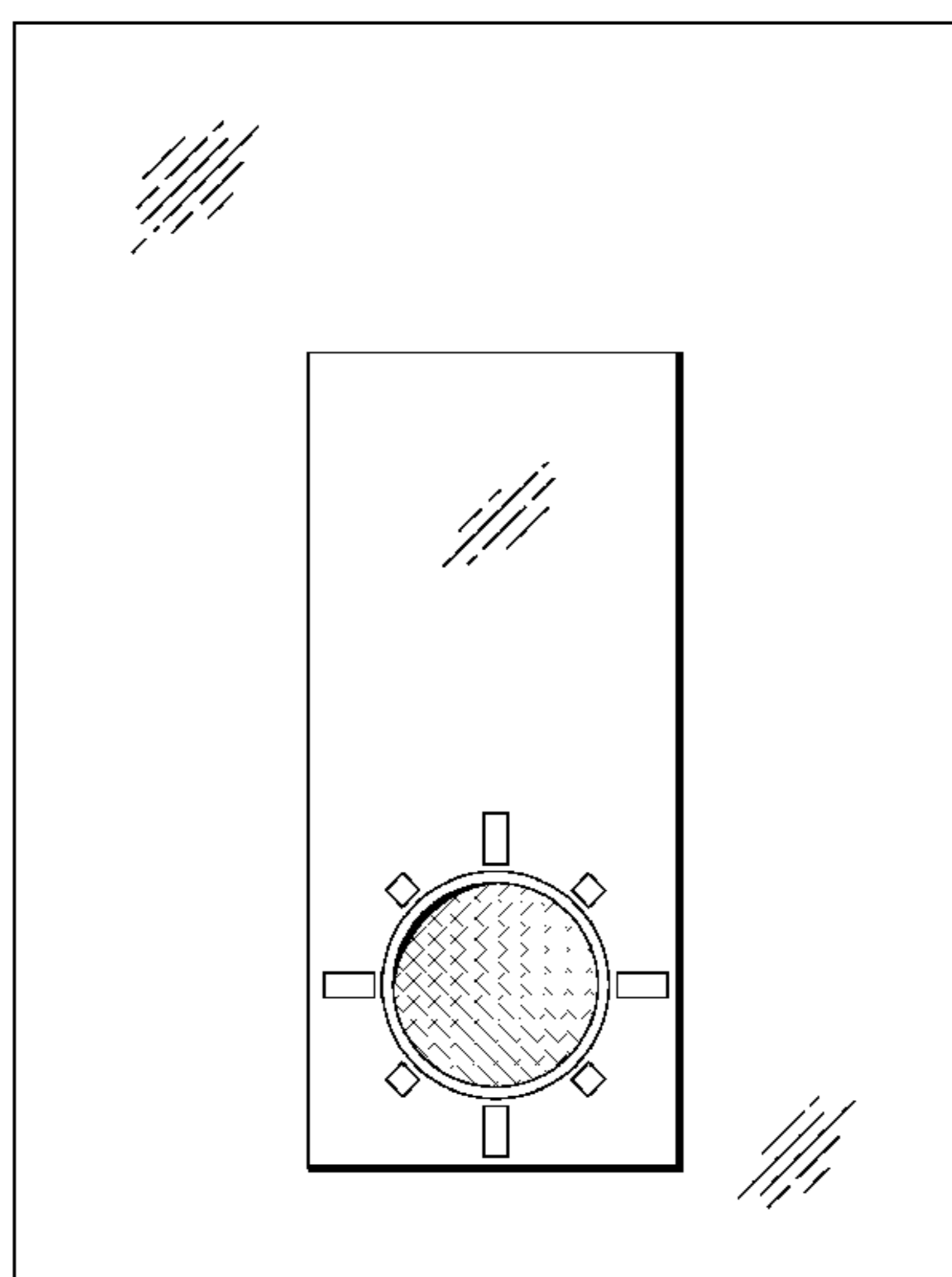
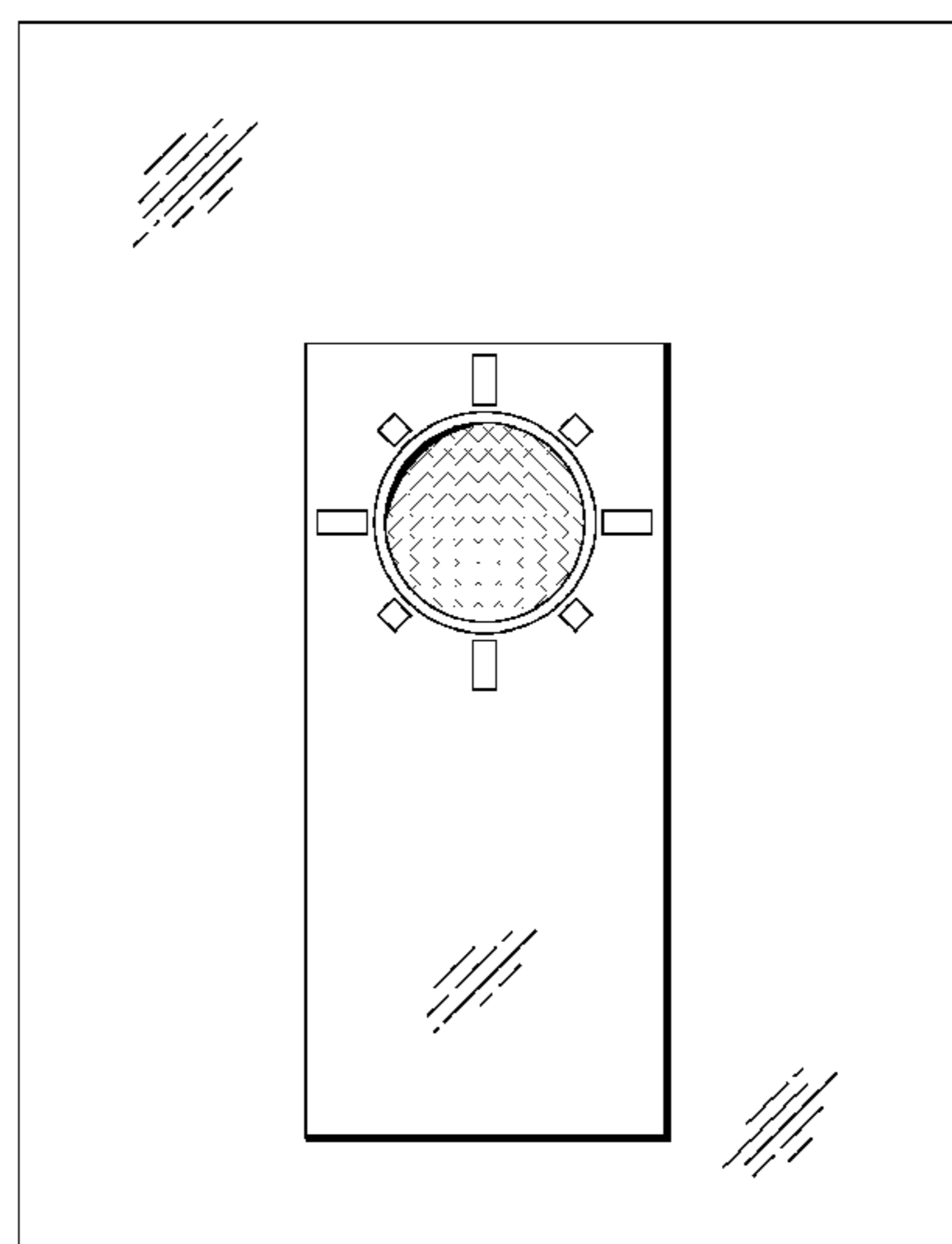
FIG. 14 is a right side view of FIGS. 11, 12 and 13, the opposing left side view being identical thereto;

FIG. 15 is a top view of FIGS. 11, 12 and 13, the opposing bottom view being identical thereto; and,

FIG. 16 is a rear view of FIGS. 11, 12 and 13.

In FIGS. 7 and 16, the dashed lines and the area defined thereby form no part of the claimed design but are included solely for the purpose of illustrating the region where the two separable components are secured.

1 Claim, 9 Drawing Sheets



US D679,766 S

Page 2

U.S. PATENT DOCUMENTS

1,511,430	A *	10/1924	Schonberg	473/454	D330,569	S *	10/1992	Bruner	D21/303
1,537,809	A *	5/1925	Easton	473/147	D354,992	S *	1/1995	Hinsperger	D21/705
2,021,989	A *	11/1935	De Master	273/401	6,837,809	B2 *	1/2005	Majumdar	473/454
2,147,705	A *	2/1939	Hunter	473/436	6,988,967	B2 *	1/2006	Allison	473/473
D115,197	S *	6/1939	Cavignac	D21/303	7,300,388	B2 *	11/2007	Sams, III	482/89
2,201,865	A *	5/1940	Kriekard	273/401	D643,888	S *	8/2011	Essex	D21/699
D194,237	S *	12/1962	Suydam	D21/302	2002/0151387	A1 *	10/2002	Henson	473/446
D205,040	S *	6/1966	Bruns	D21/790	2003/0236140	A1 *	12/2003	Alford	473/454
4,254,952	A *	3/1981	Playter, Jr.	473/456	2007/0238557	A1 *	10/2007	Saidi	473/470
5,056,796	A *	10/1991	Conville	273/402					

* cited by examiner

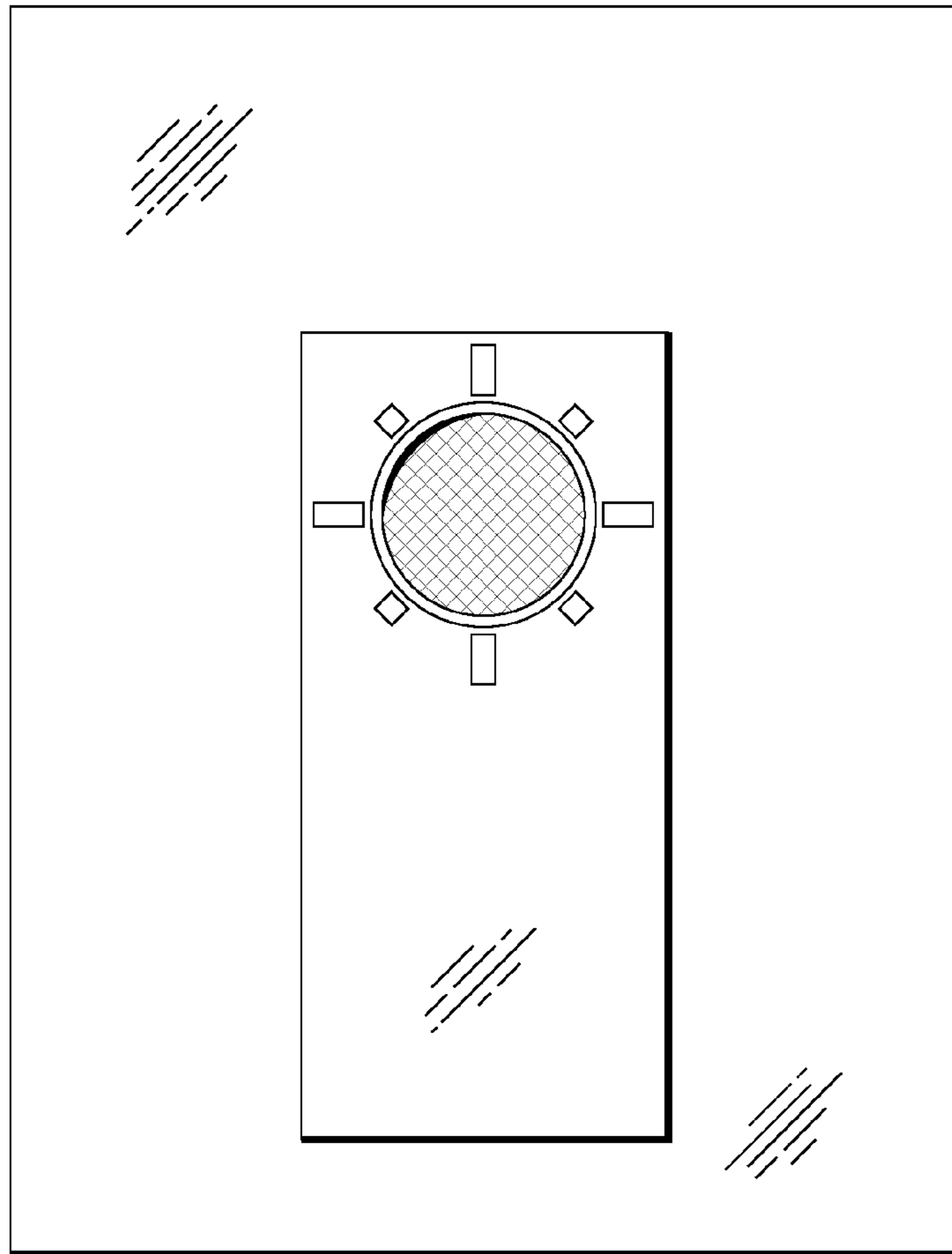


FIG. 1

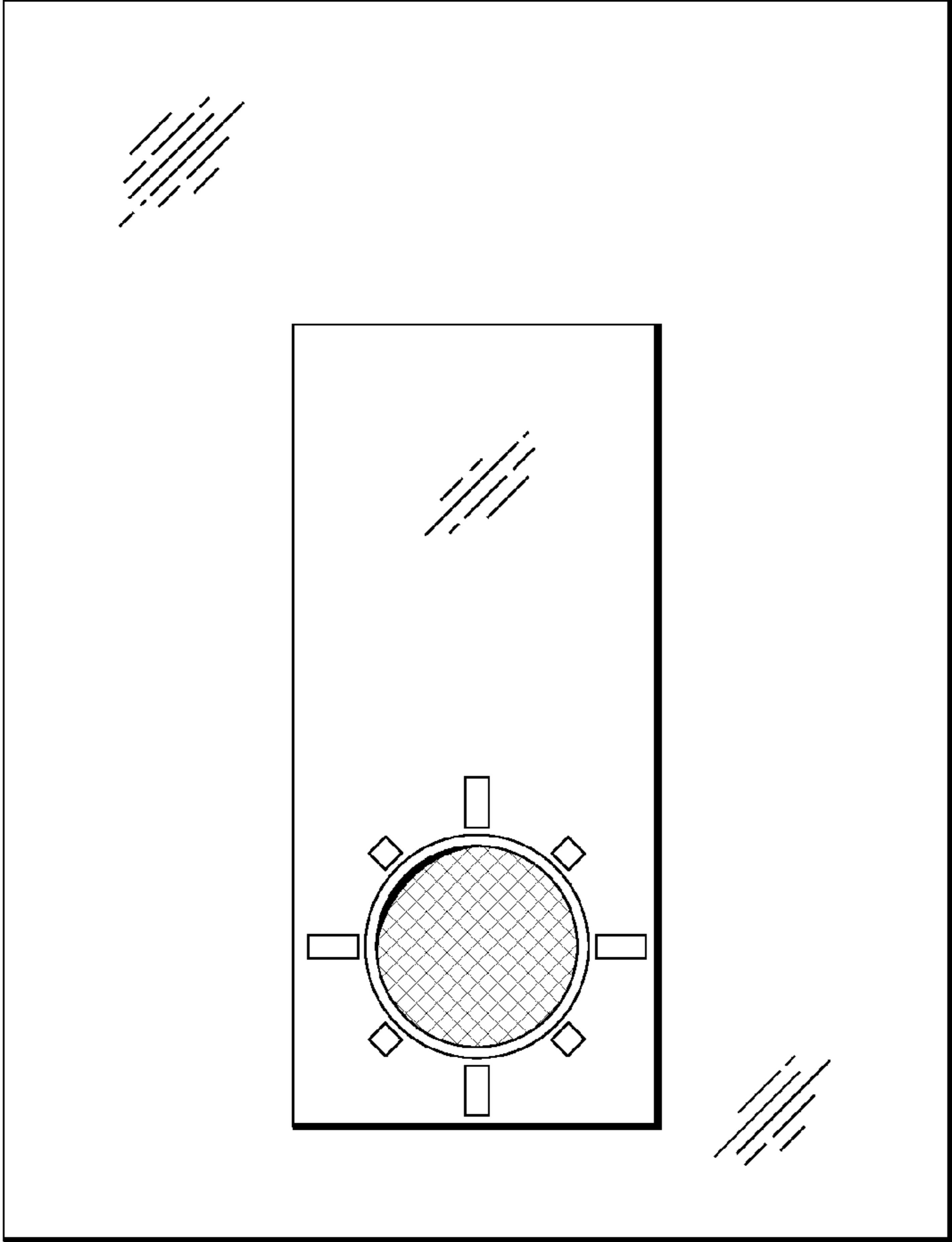


FIG. 2

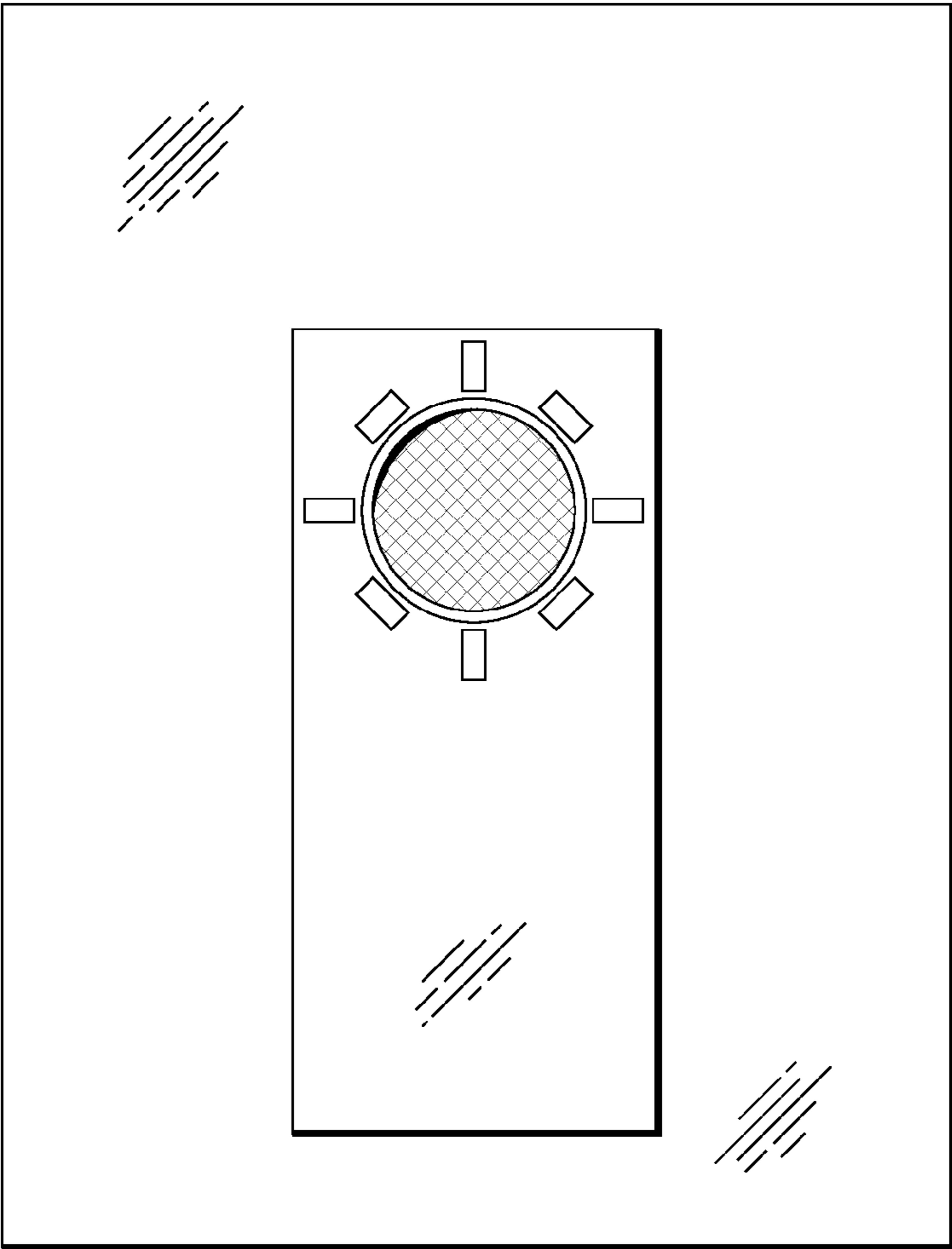


FIG. 3

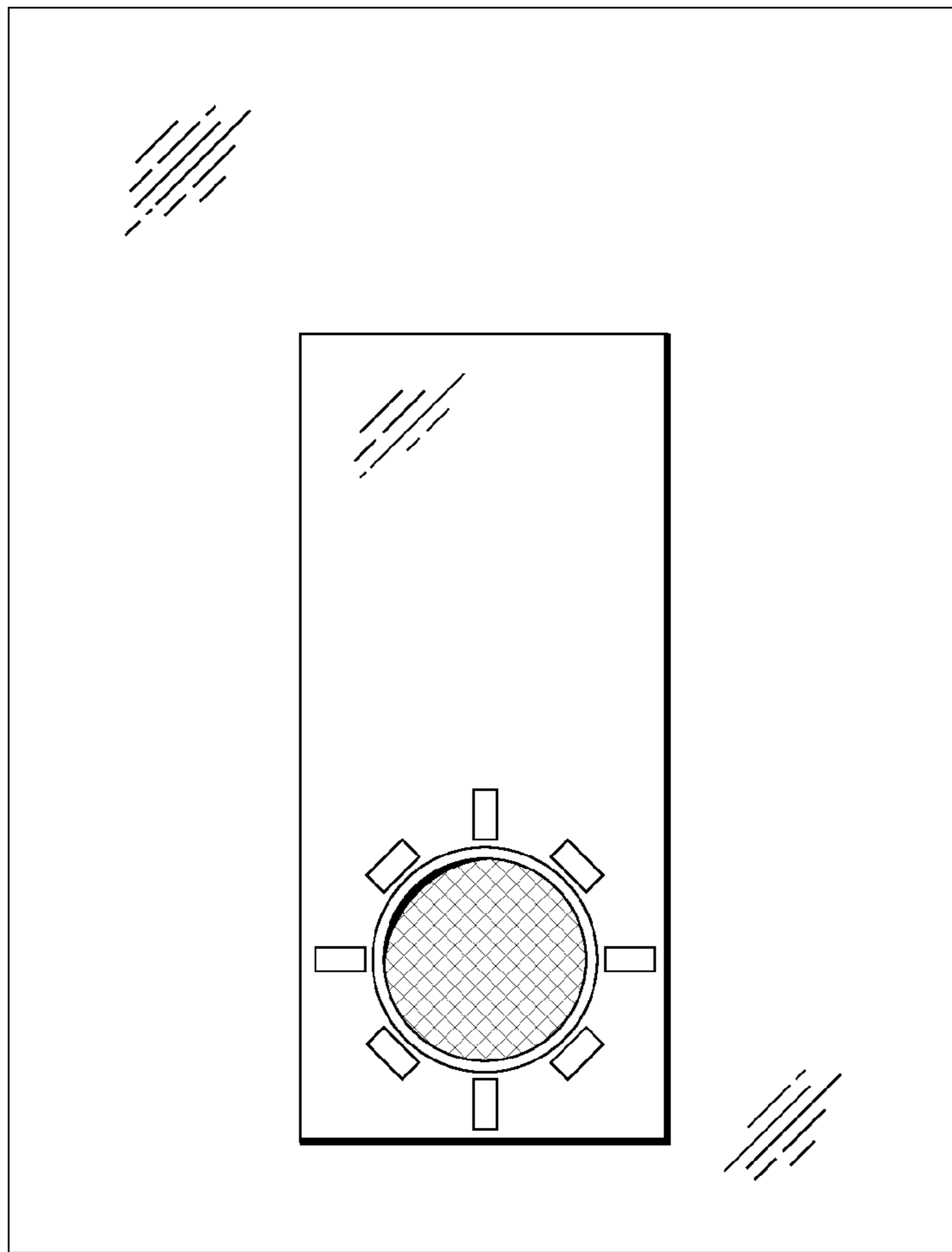


FIG. 4

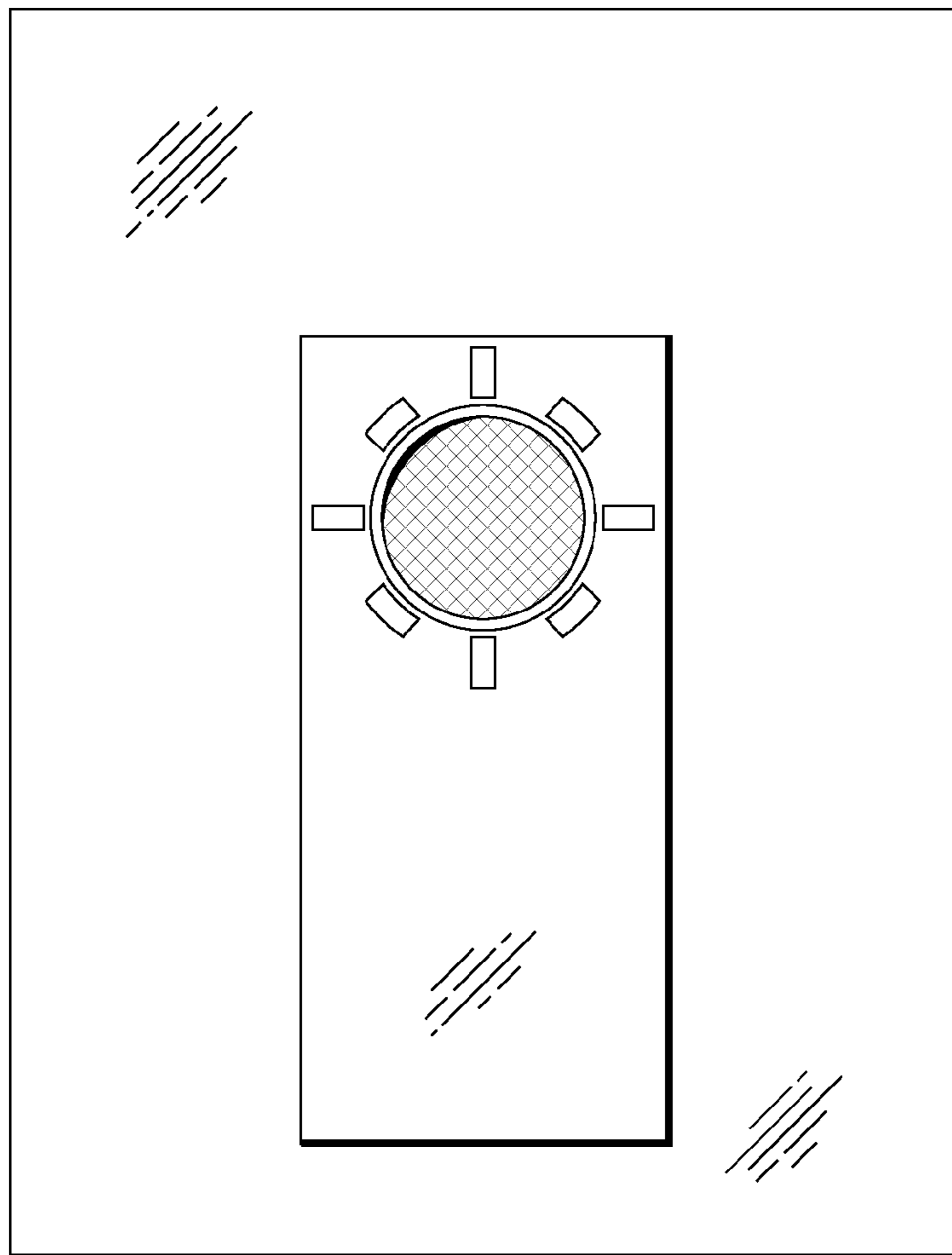


FIG. 5

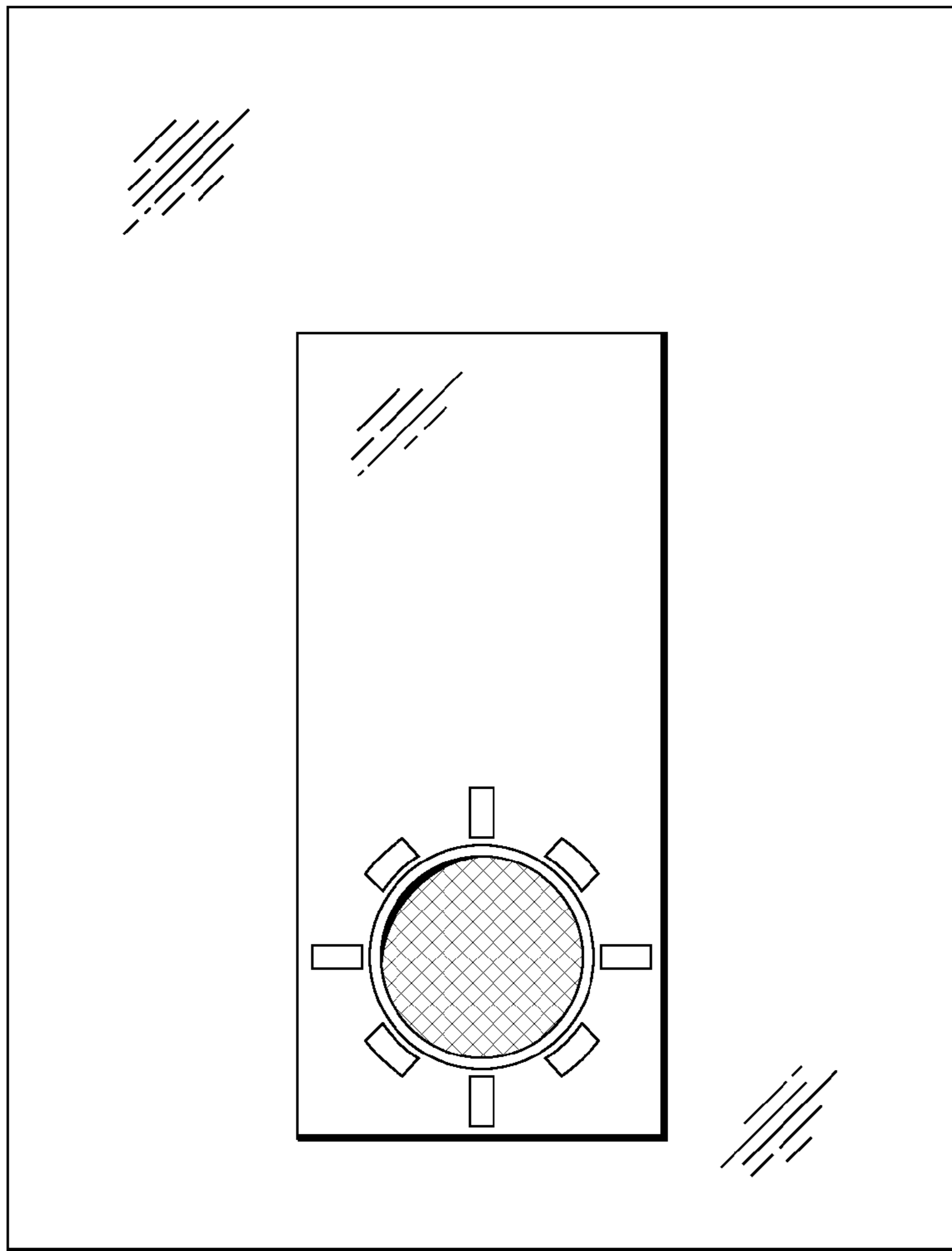


FIG. 6

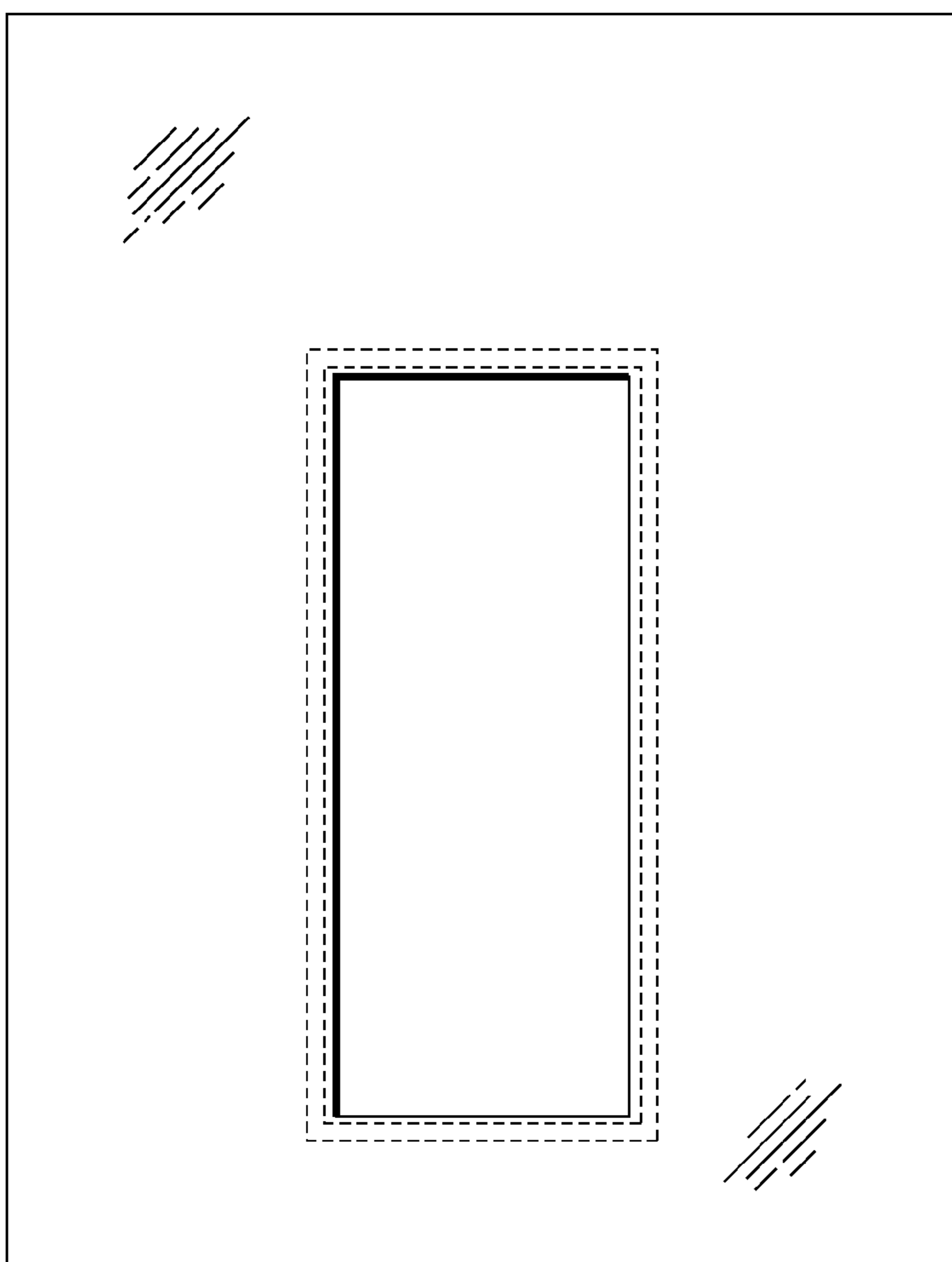


FIG. 7

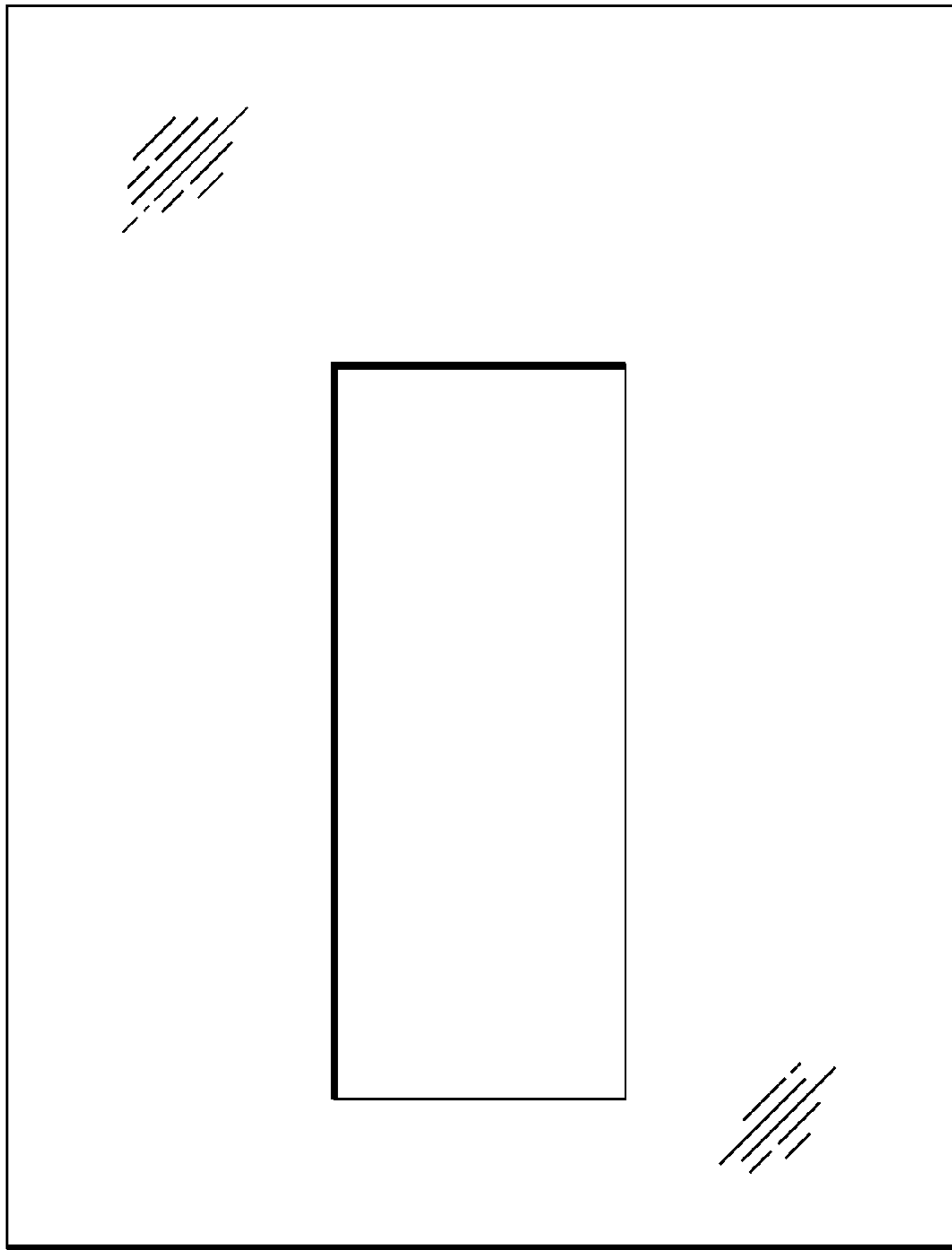


FIG. 8



FIG. 9

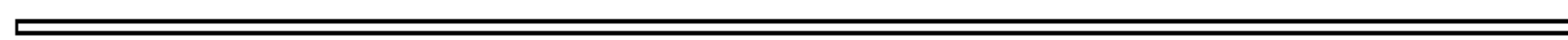


FIG. 10

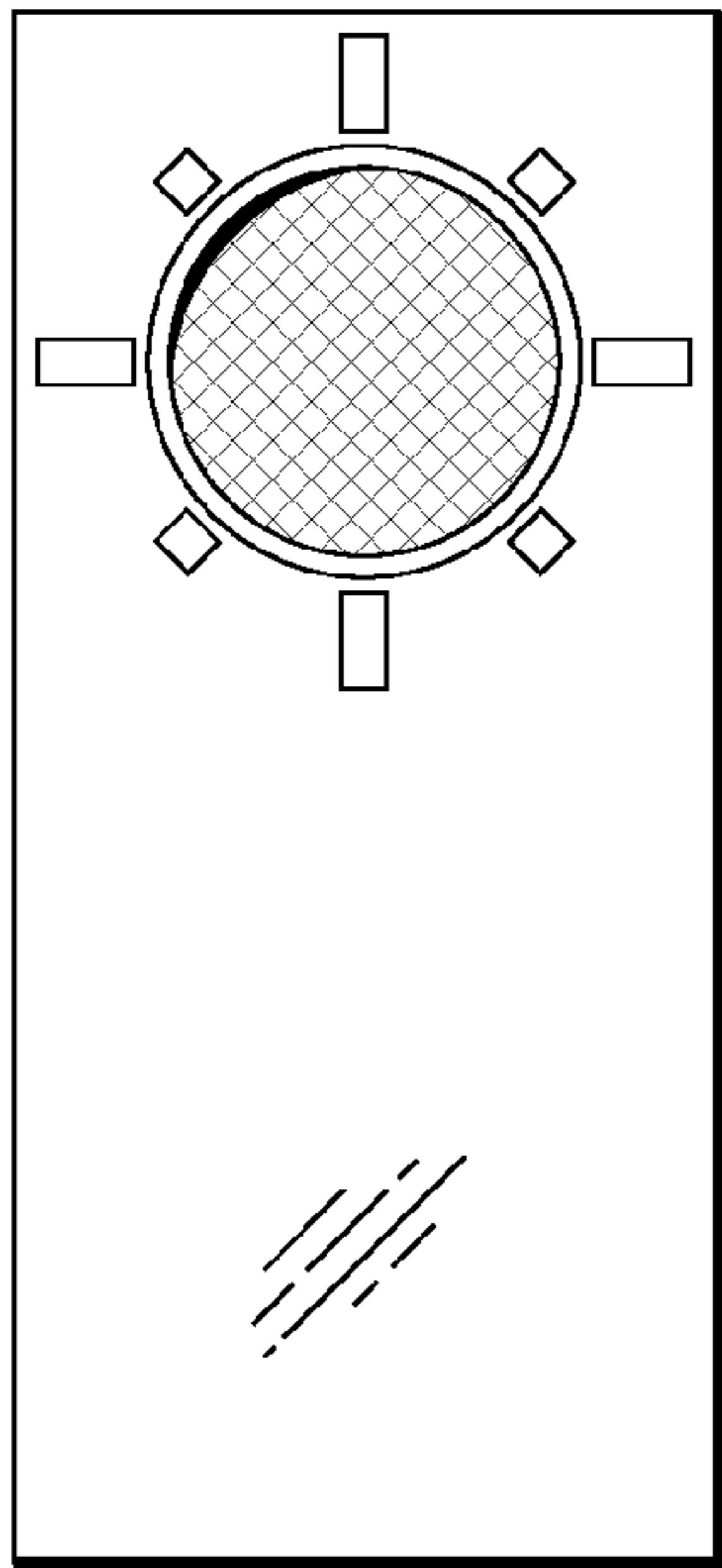


FIG. 11

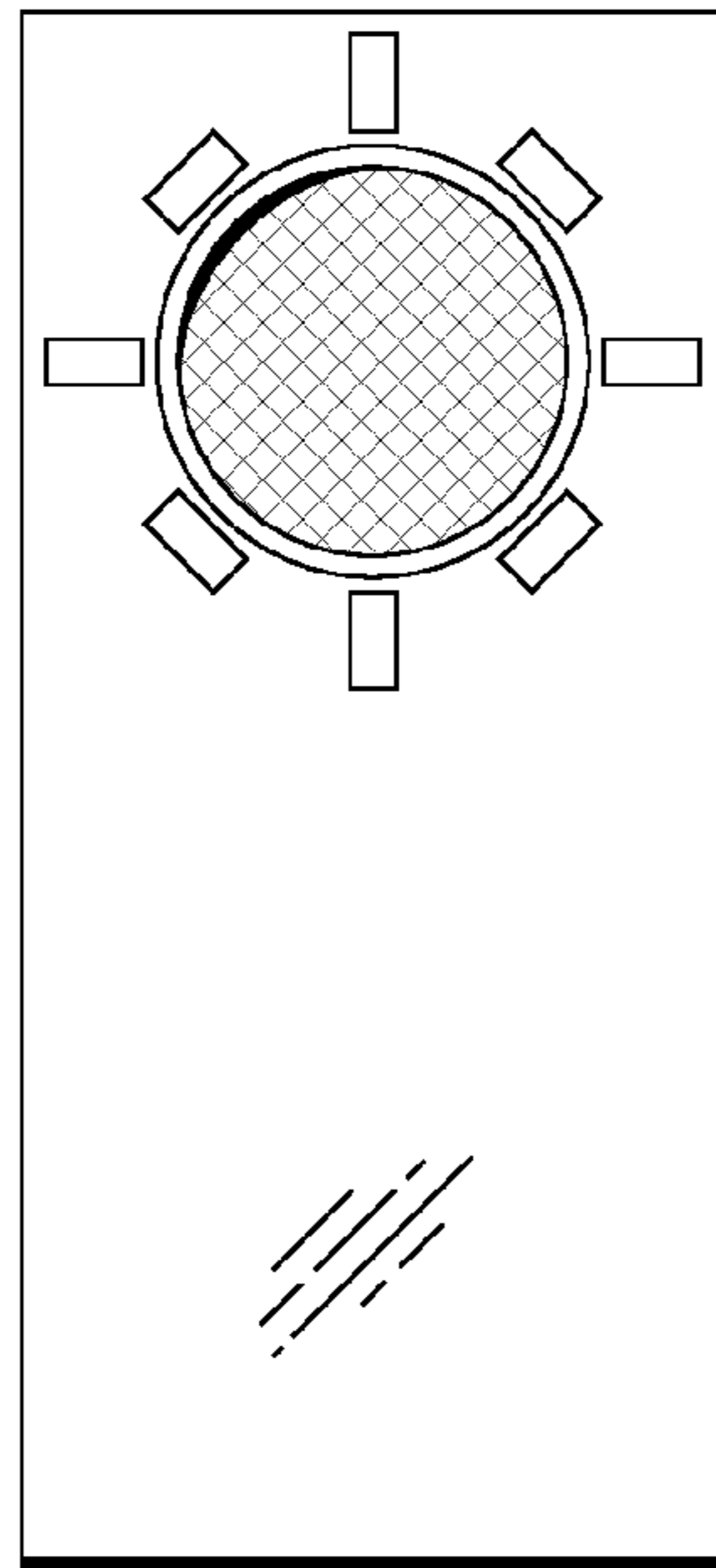


FIG. 12

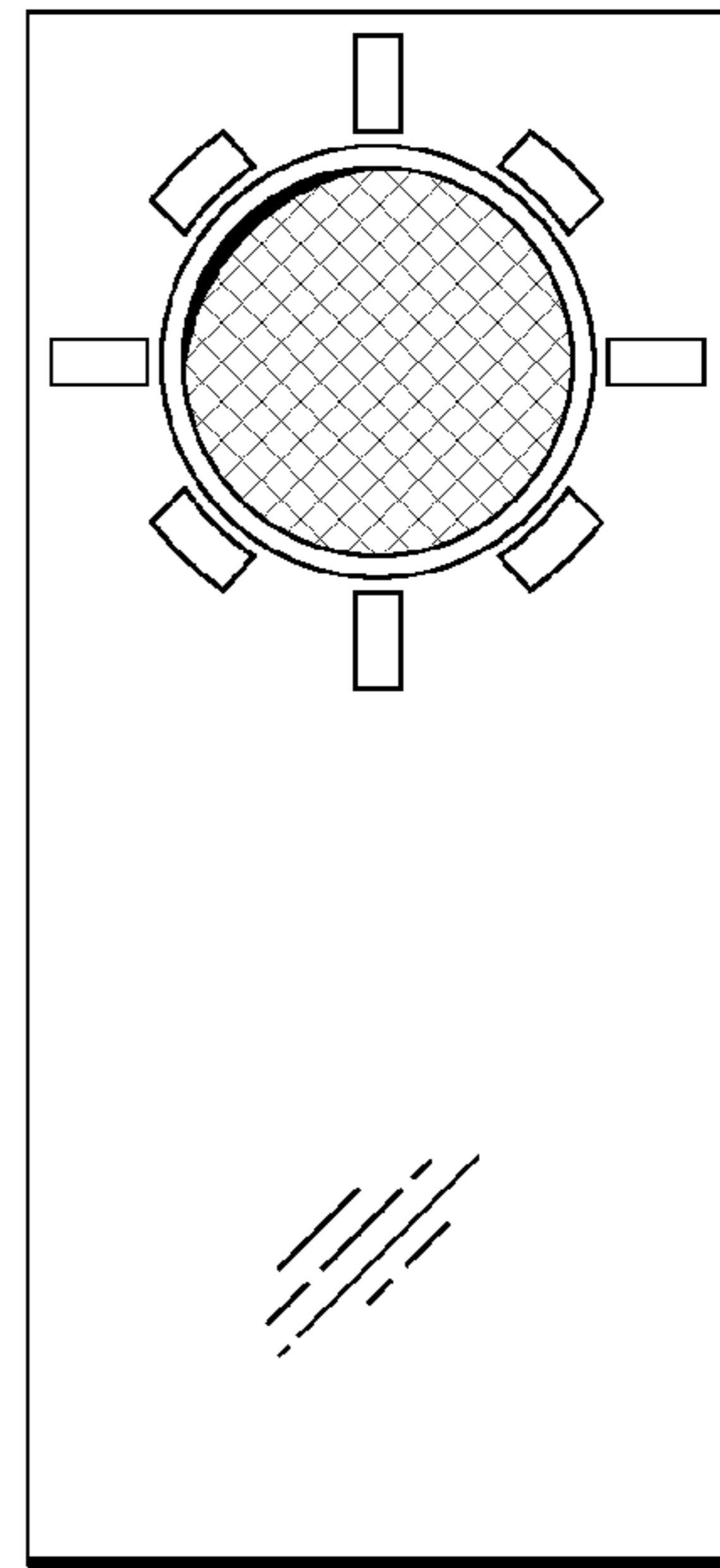


FIG. 13

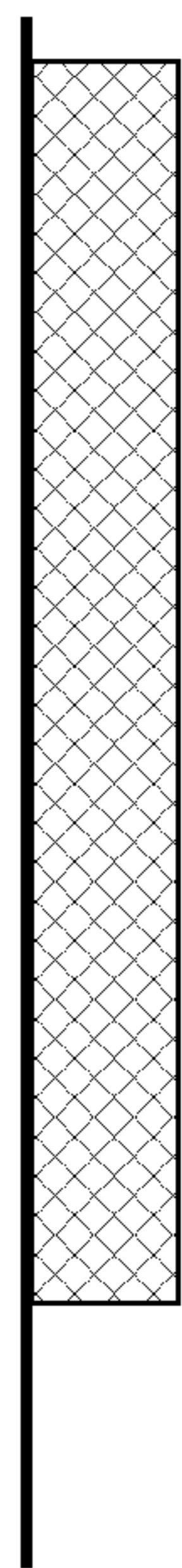


FIG. 14

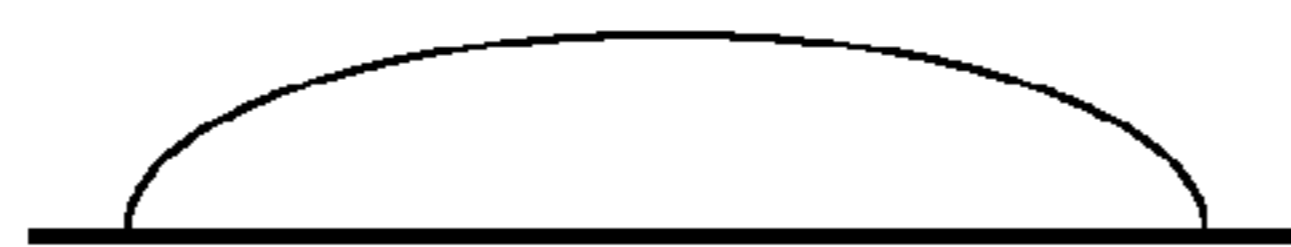


FIG. 15

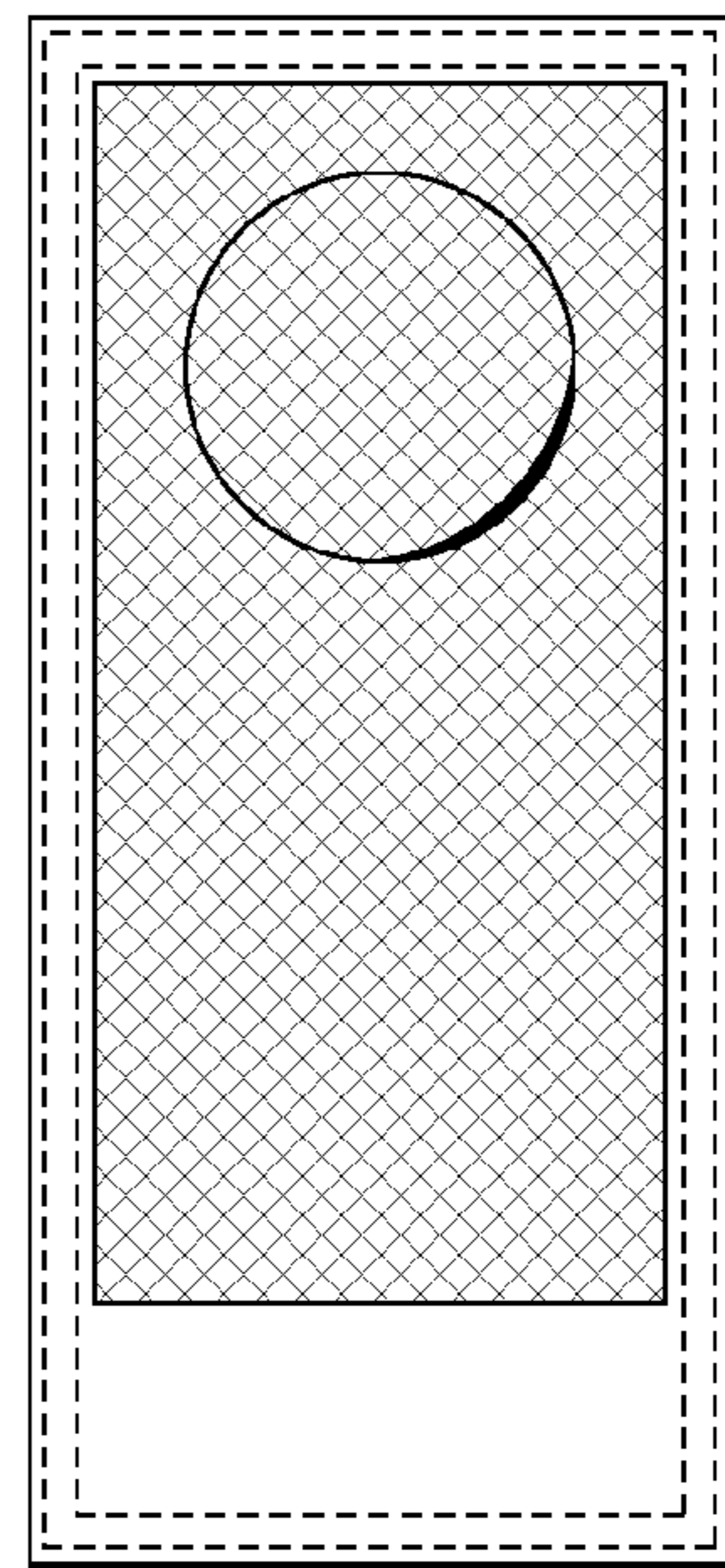


FIG. 16