



US00D679764S

(12) **United States Design Patent**
Alessandri et al.

(10) **Patent No.:** **US D679,764 S**

(45) **Date of Patent:** **** Apr. 9, 2013**

(54) **EXERCISE DEVICE**

(75) Inventors: **Nerio Alessandri**, Longiano (IT); **Mario Fedriga**, Forli (IT); **Francesco Calcaterra**, Forli (IT)

(73) Assignee: **Technogym S.p.A.**, Gambettola (FC) (IT)

(**) Term: **14 Years**

(21) Appl. No.: **29/399,043**

(22) Filed: **Aug. 9, 2011**

(30) **Foreign Application Priority Data**

Feb. 9, 2011 (EM) 001819038-0002

(51) **LOC (9) Cl.** **21-02**

(52) **U.S. Cl.** **D21/675; D21/694; D21/662**

(58) **Field of Classification Search** D21/662,
D21/673, 674, 675, 676, 680, 686, 690, 694;
482/1, 92-95, 99, 100, 103, 130, 133, 140,
482/142

See application file for complete search history.

(56) **References Cited**

U.S. PATENT DOCUMENTS

4,603,855	A *	8/1986	Sebelle	482/103
5,102,122	A *	4/1992	Piane et al.	482/133
D362,281	S *	9/1995	Warehime et al.	D21/675
6,217,493	B1 *	4/2001	Spletzer	482/103
6,422,980	B1 *	7/2002	Simonson	482/99
6,488,612	B2 *	12/2002	Sechrest et al.	482/103

D472,945	S *	4/2003	Panatta	D21/662
6,595,905	B2 *	7/2003	McBride	482/130
D490,128	S *	5/2004	Giannelli et al.	D21/676
D512,113	S *	11/2005	Carter	D21/676
D513,286	S *	12/2005	Panatta	D21/676
7,179,209	B2 *	2/2007	Sechrest et al.	482/103
D613,350	S *	4/2010	Fenster	D21/675
7,798,946	B2 *	9/2010	Dalebout et al.	482/142
7,815,552	B2 *	10/2010	Dibble et al.	482/92
D626,609	S *	11/2010	Grider	D21/694
8,043,198	B2 *	10/2011	Zhou	482/140
2003/0017918	A1 *	1/2003	Webb et al.	482/94

* cited by examiner

Primary Examiner — Susan E Krakower

(74) *Attorney, Agent, or Firm* — Abelman, Frayne & Schwab

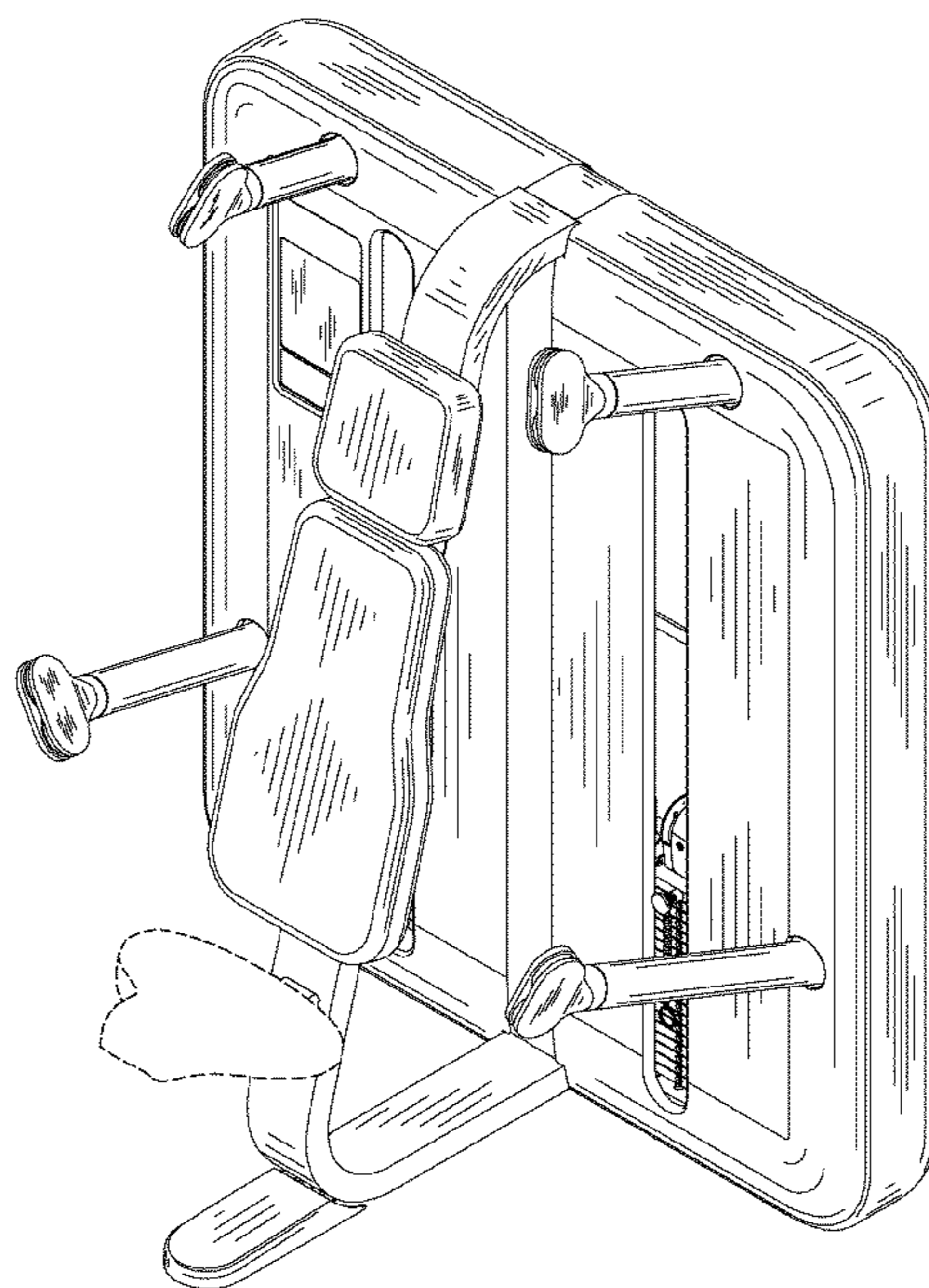
(57) **CLAIM**

The ornamental design for an exercise device, as shown and described.

DESCRIPTION

FIG. 1 is a top, front, and right side perspective view of an exercise device, according to the present invention; FIG. 2 is a front view of the exercise device of FIG. 1; FIG. 3 is a left side view of the exercise device of FIG. 1; FIG. 4 is a rear view of the exercise device of FIG. 1; FIG. 5 is a right side view of the exercise device of FIG. 1; and, FIG. 6 is a top view of the exercise device of FIG. 1. The bottom of the exercise device is flat and unornamented. The portions of the disclosure that are shown in broken lines form no part of the claimed design.

1 Claim, 6 Drawing Sheets



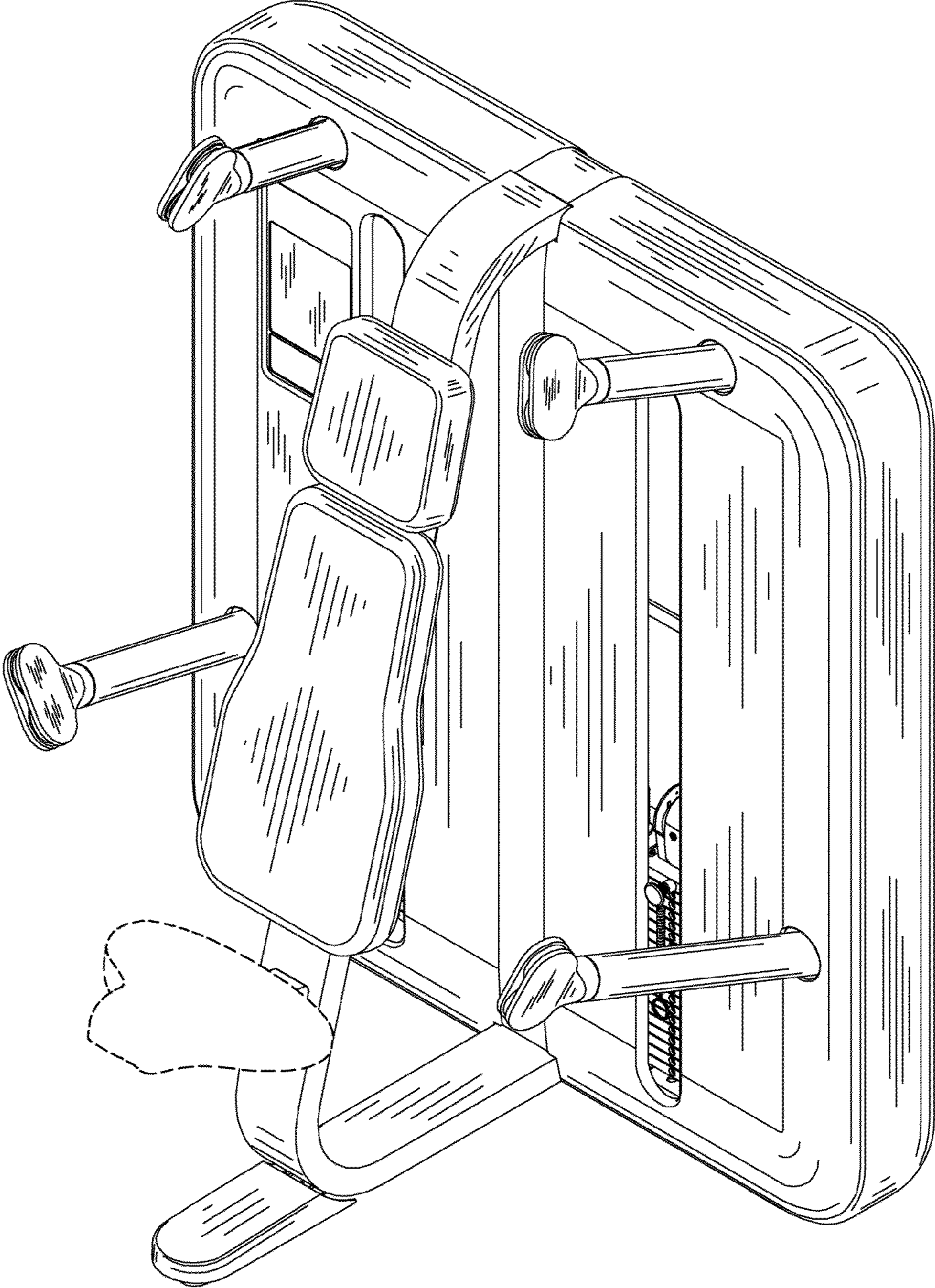


Fig. 1

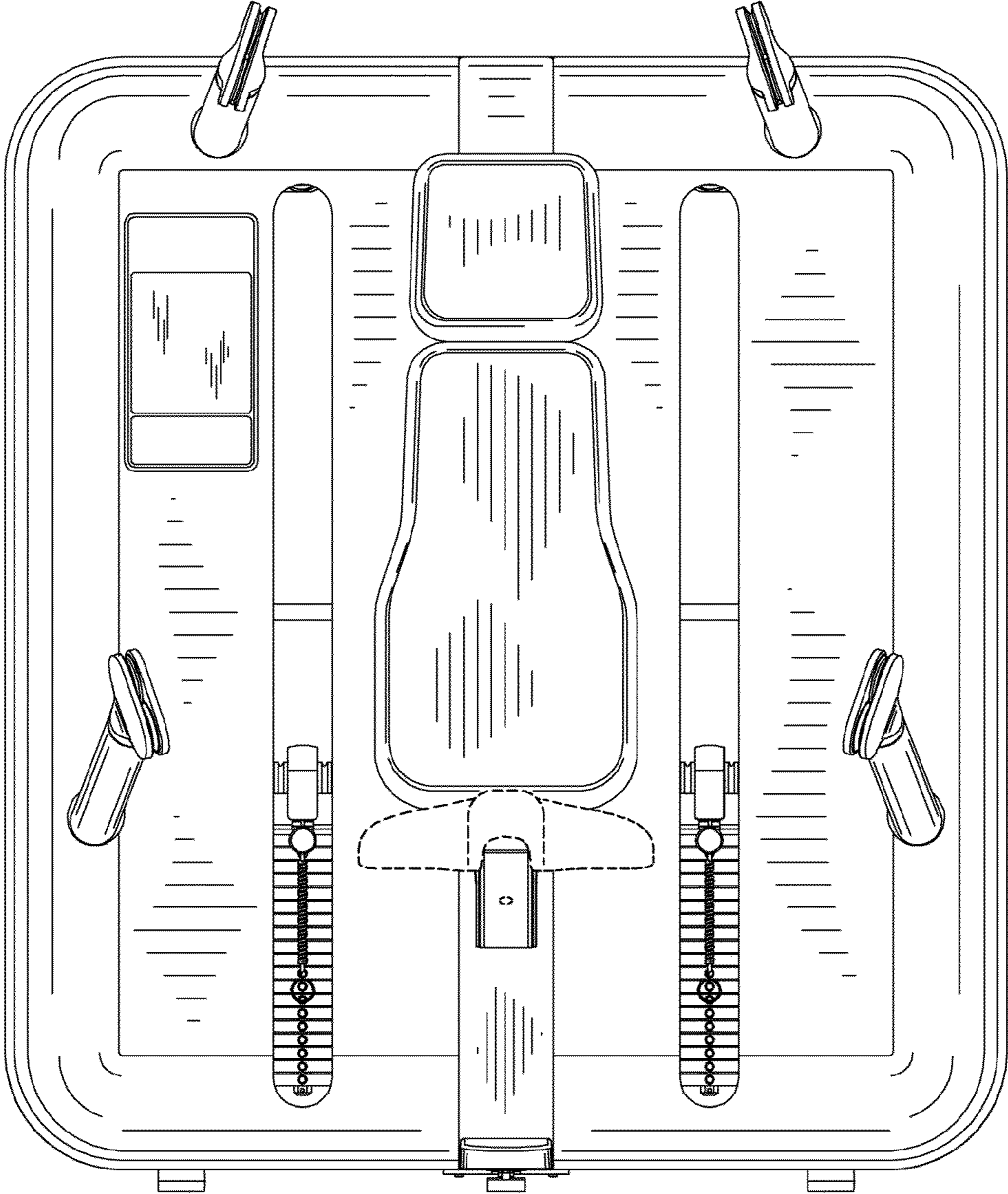


Fig. 2

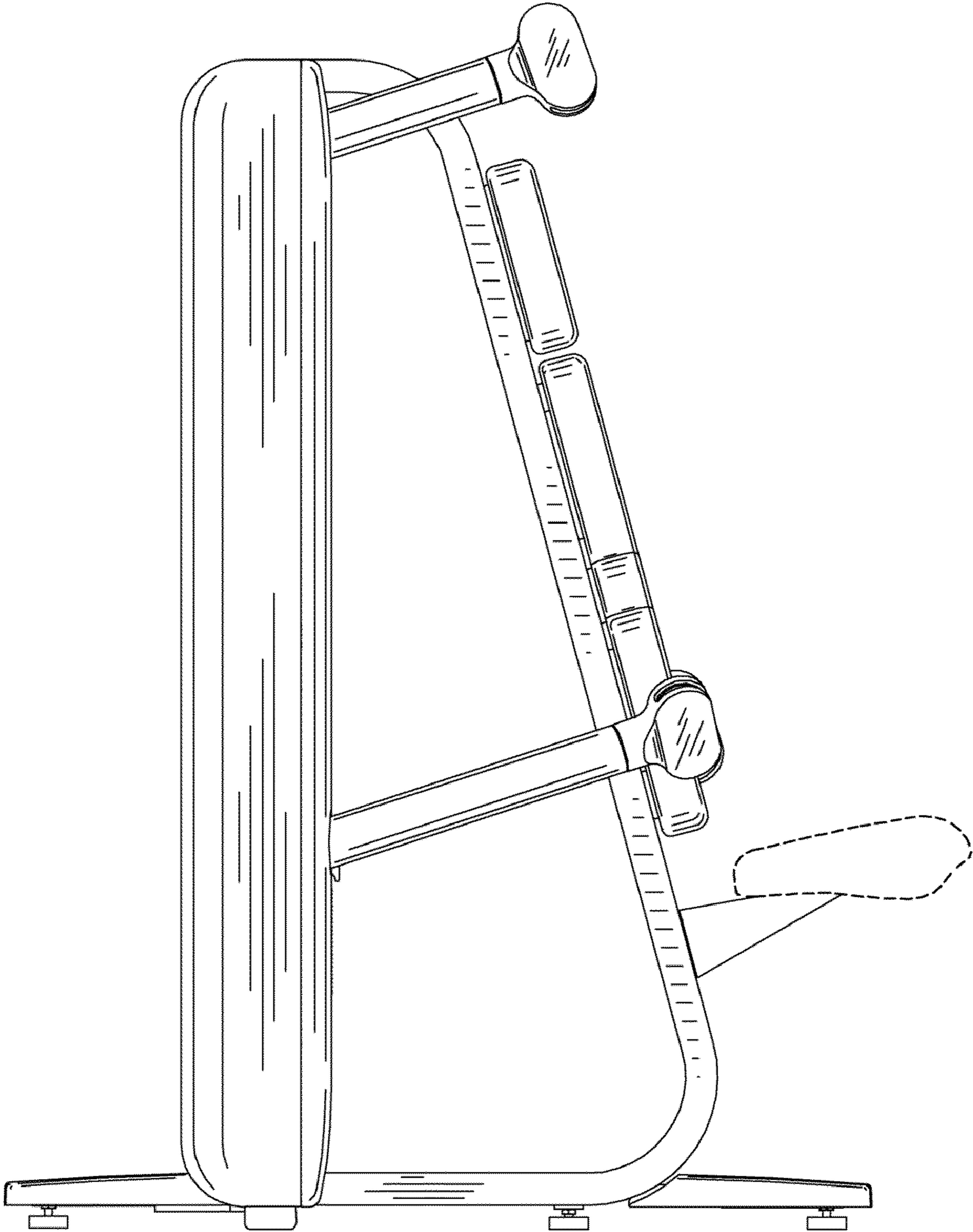


Fig. 3

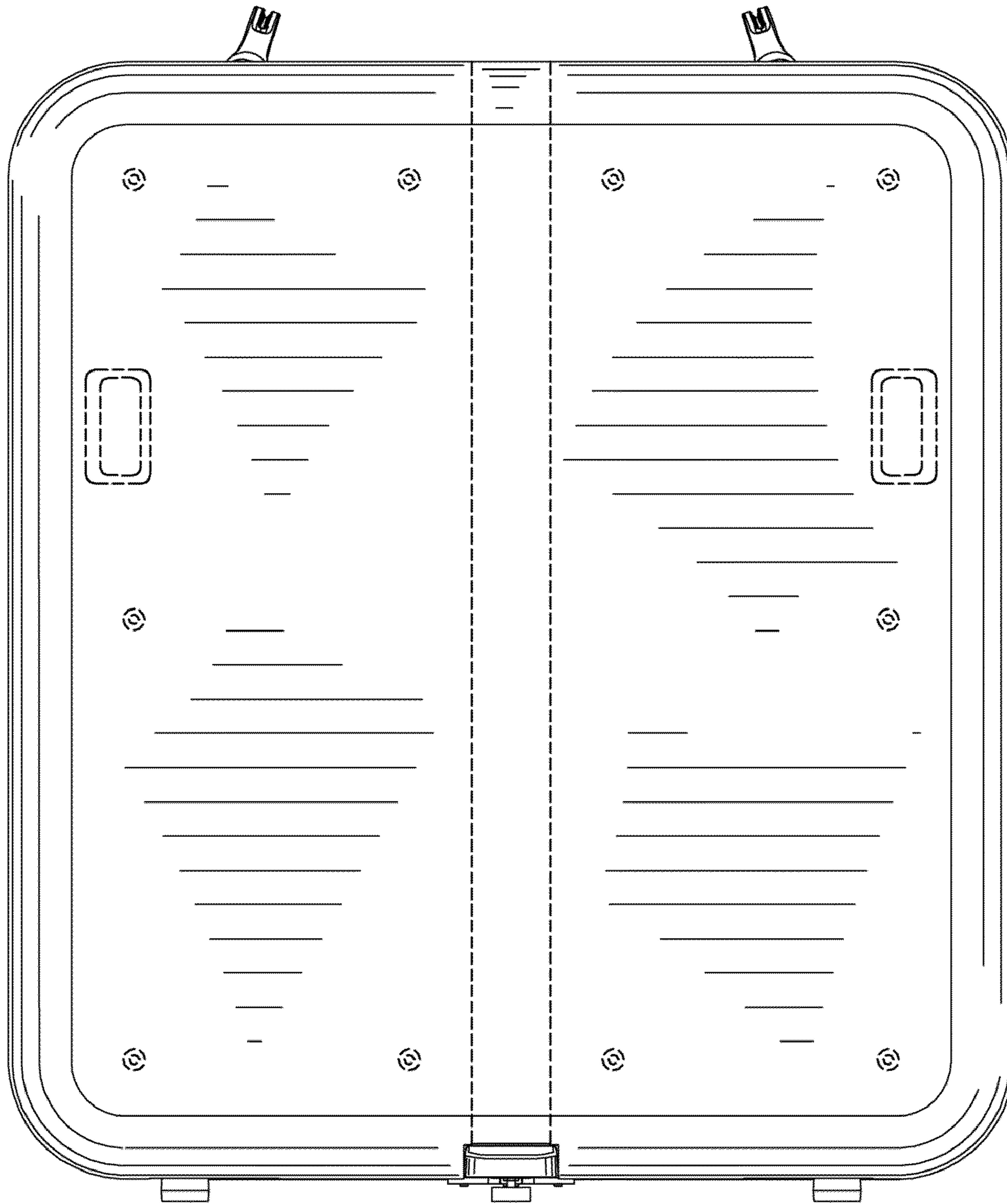


Fig. 4

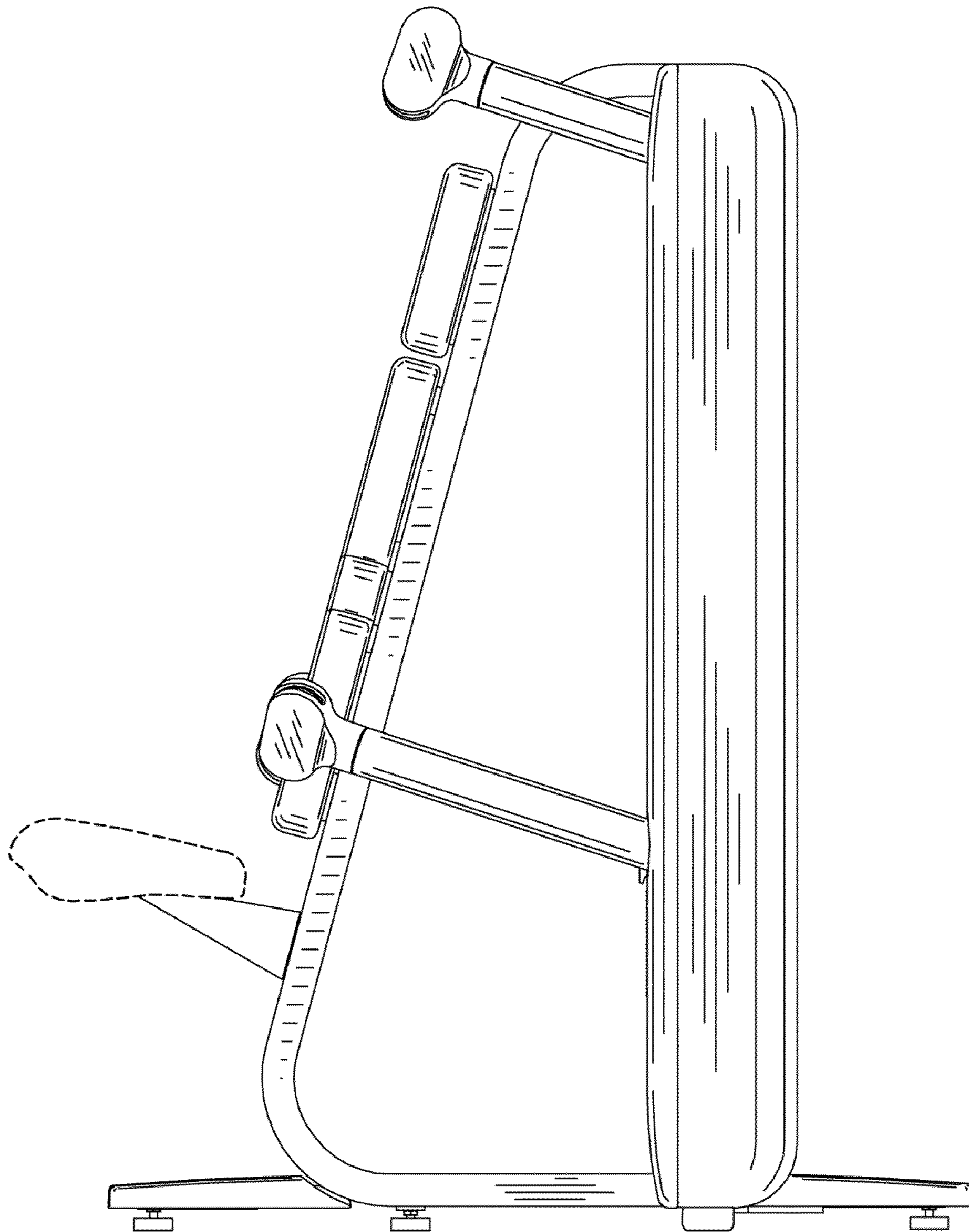


Fig. 5

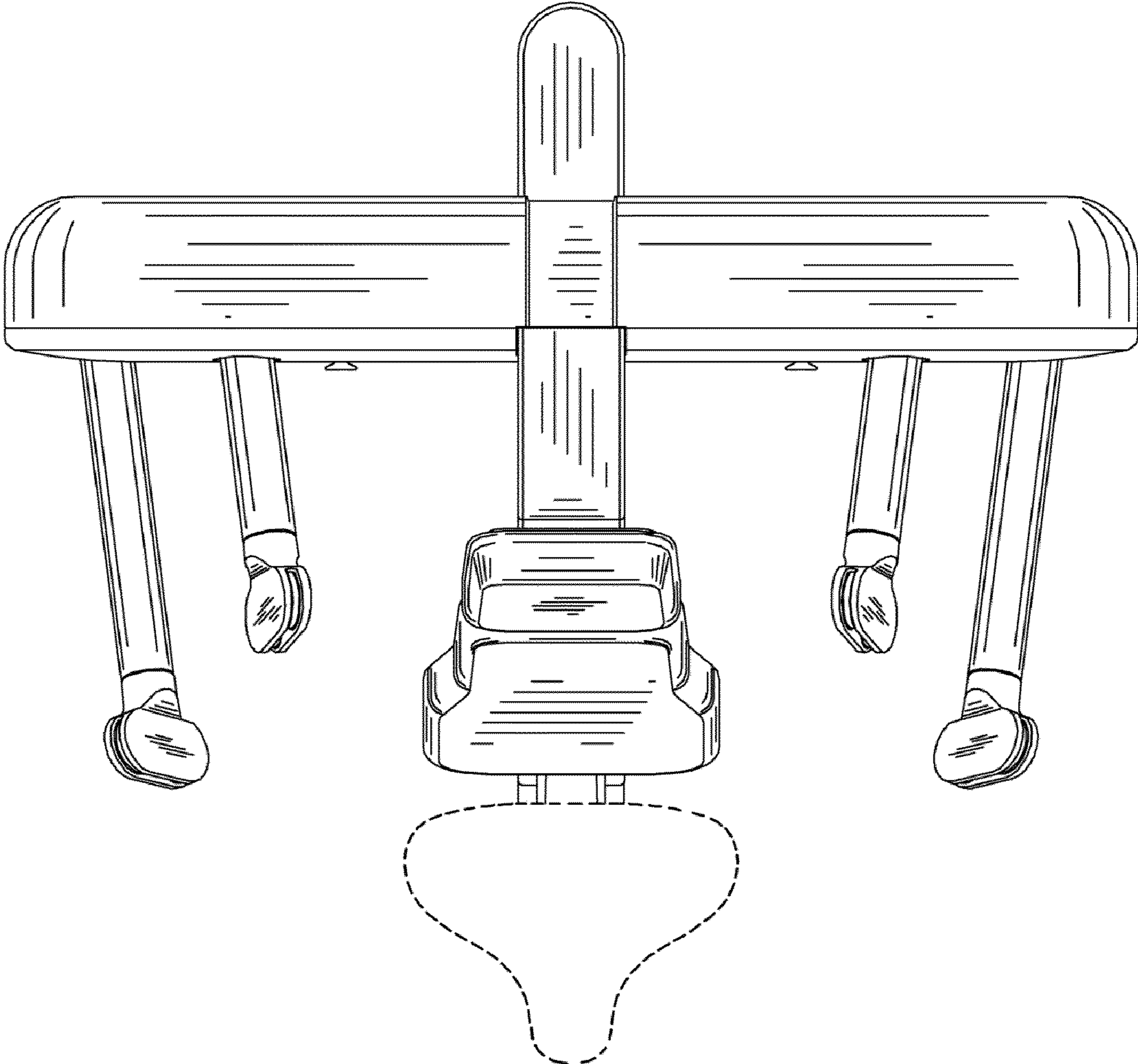


Fig. 6