



US00D679763S

(12) **United States Design Patent**
Mimlitch, III et al.

(10) **Patent No.:** **US D679,763 S**
(45) **Date of Patent:** **** Apr. 9, 2013**

(54) **ROBOTIC TOY CAR**

(75) Inventors: **Robert H. Mimlitch, III**, Rowlett, TX (US); **David A. Norman**, Greenville, TX (US); **Raul Olivera**, Greenville, TX (US); **Douglas Michael Galletti**, Allen, TX (US); **James Anthony Trzaskos**, Massena, NY (US)

4,099,628 A 7/1978 Richardson
4,326,465 A * 4/1982 Forrest 104/165
D272,482 S 1/1984 Verschoor
D276,740 S 12/1984 Stockvis
4,568,300 A * 2/1986 Rasmussen et al. 446/129
4,795,154 A * 1/1989 Lahr 238/10 F

(Continued)

(73) Assignee: **Innovation First, Inc.**, Greenville, TX (US)

AU 146475 1/2002
CA 87782 10/1999

(Continued)

(**) Term: **14 Years**

(21) Appl. No.: **29/418,208**

(22) Filed: **Apr. 13, 2012**

FOREIGN PATENT DOCUMENTS

OTHER PUBLICATIONS

Scoot Micro Robotic Vehicle. Webpage [online]. CoolThings.com.au, Feb. 2011 [retrieved on Dec. 6, 2012]. Retrieved from the Internet: <URL: <http://www.coolthings.com.au/scoot-micro-robotic-vehicle.html>>.*

(Continued)

Related U.S. Application Data

(63) Continuation-in-part of application No. 29/413,172, filed on Feb. 13, 2012, now Pat. No. Des. 667,509, and a continuation-in-part of application No. 29/413,173, filed on Feb. 13, 2012, now Pat. No. Des. 667,896, and a continuation-in-part of application No. 29/413,177, filed on Feb. 13, 2012, now Pat. No. Des. 667,897.

Primary Examiner — Philip S Hyder

Assistant Examiner — Darlington Ly

(74) *Attorney, Agent, or Firm* — Adam K. Sacharoff

(51) **LOC (9) Cl.** **21-01**

(52) **U.S. Cl.** **D21/563; D21/561**

(58) **Field of Classification Search** D21/433, D21/533, 548, 549, 550, 561, 562, 563; D12/82, D12/86, 88, 89, 90, 91, 92, 93; 446/444-447, 446/452, 465, 468, 470, 471, 431, 454-456; 254/423; 238/10 F

See application file for complete search history.

(57)

CLAIM

The ornamental design for a robotic toy car, as shown and described.

DESCRIPTION

FIG. 1 is a top perspective view showing a first embodiment of the robotic toy car;
FIG. 2 is a bottom perspective view of FIG. 1;
FIG. 3 is a top side view of FIG. 1;
FIG. 4 is a bottom side view of FIG. 1;
FIG. 5 is a front side view of FIG. 1;
FIG. 6 is a back side view of FIG. 1;
FIG. 7 is a right side view of FIGS. 1; and,
FIG. 8 is a left side view of FIG. 1.

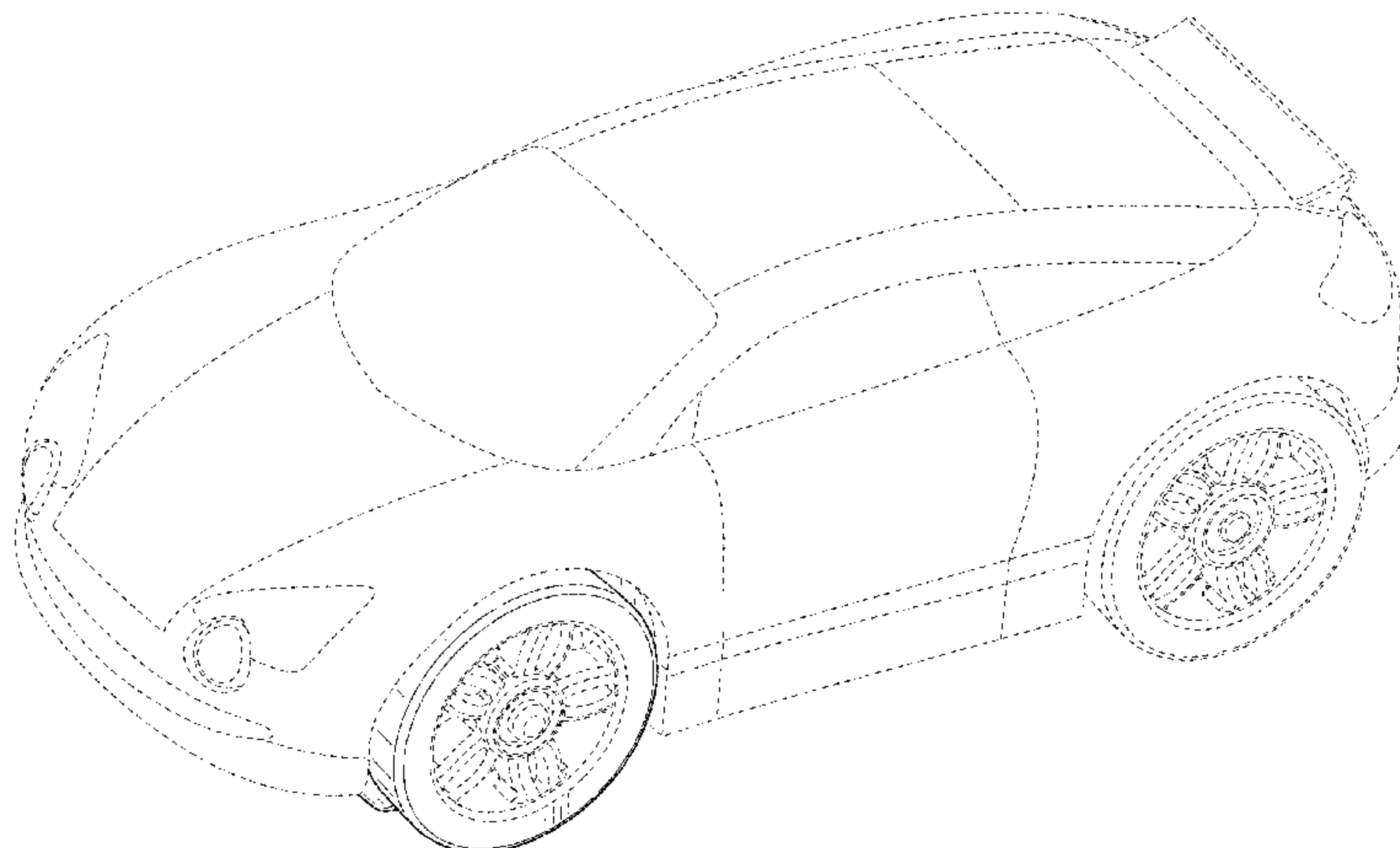
The broken lines are for the purpose of illustrating portions of the environmental structure and forms no part of the claimed embodiment and design.

(56) **References Cited**

U.S. PATENT DOCUMENTS

3,064,994 A 11/1962 Hg Limmer
3,535,821 A * 10/1970 Ieda 446/441
3,860,216 A 1/1975 Brown
3,948,520 A * 4/1976 Barlow 446/446
3,950,889 A * 4/1976 Dabney 446/444
D243,235 S 2/1977 Buxbom
4,021,962 A * 5/1977 Axryd 446/445

1 Claim, 7 Drawing Sheets



US D679,763 S

Page 2

U.S. PATENT DOCUMENTS

D301,655	S	6/1989	Otte	
5,165,347	A *	11/1992	Wagner	446/444
D335,740	S	5/1993	Fujimoto et al.	
5,232,154	A *	8/1993	Jenkins et al.	238/10 F
5,722,641	A *	3/1998	Martin et al.	254/423
6,439,955	B1 *	8/2002	Feketo	446/444
6,648,723	B2 *	11/2003	Clark et al.	446/444
6,895,648	B1	5/2005	Willett	
6,910,680	B1 *	6/2005	Geller	254/423
6,991,221	B1	1/2006	Rodriguez	
7,025,656	B2 *	4/2006	Bailey	446/444
7,290,799	B2 *	11/2007	Santos	254/423
7,637,797	B2 *	12/2009	Dieckmann	446/444
2002/0100901	A1 *	8/2002	Topelberg et al.	254/423
2005/0127343	A1 *	6/2005	Jackson et al.	254/423

FOREIGN PATENT DOCUMENTS

EC	000100938-0001	11/2003
EC	000516661-0001	4/2006
EC	001258917-0016	5/2011

OTHER PUBLICATIONS

CoolThingsVideos. Scoot Micro Robotic Vehicle. [online]. YouTube. com, Feb. 6, 2011 [retrieved on Feb. 6, 2012]. Retrieved from the Internet: <URL: http://www.youtube.com/watch?v=B2J07STGq4&feature=player_embeddedl>.*

* cited by examiner

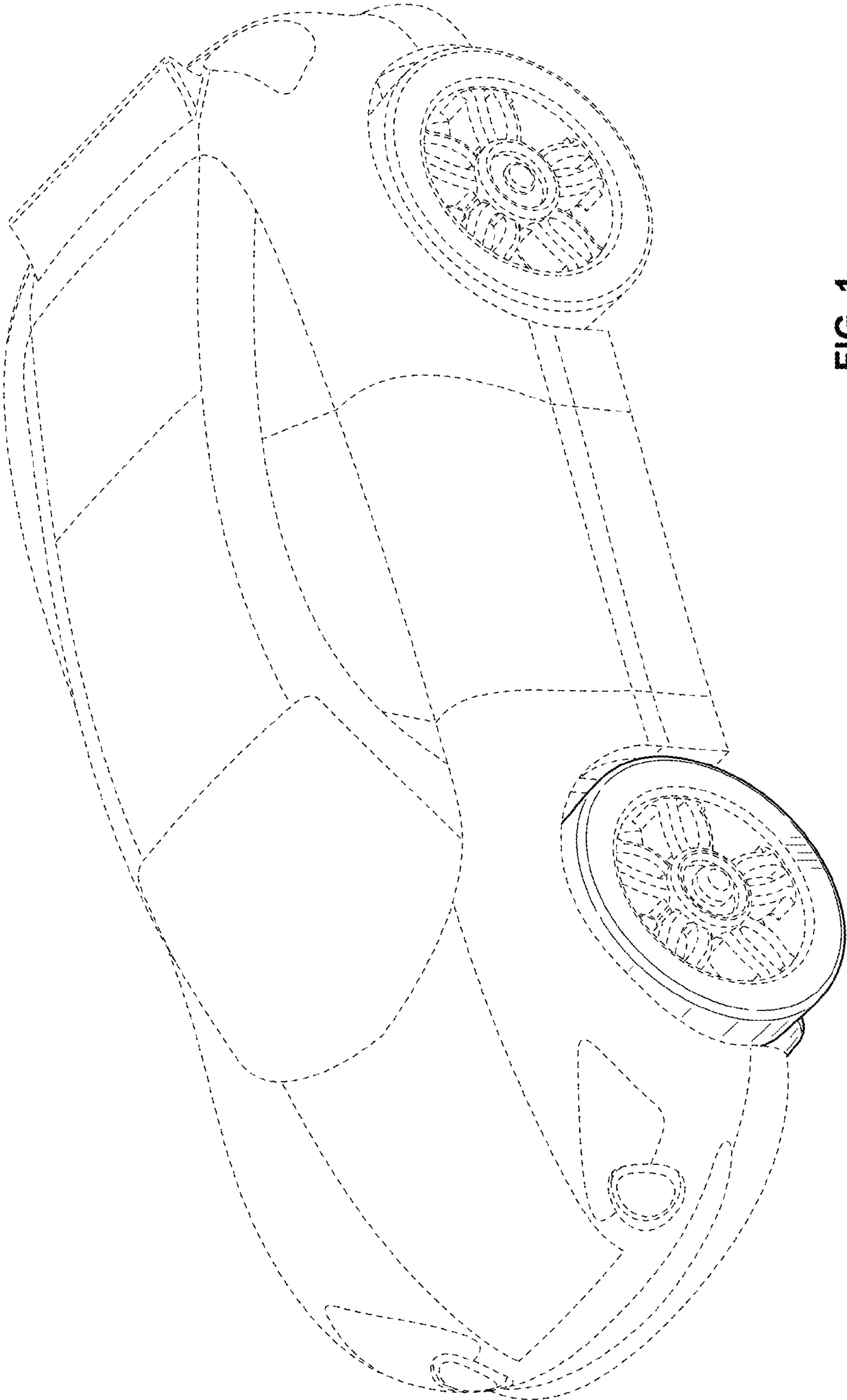


FIG. 1

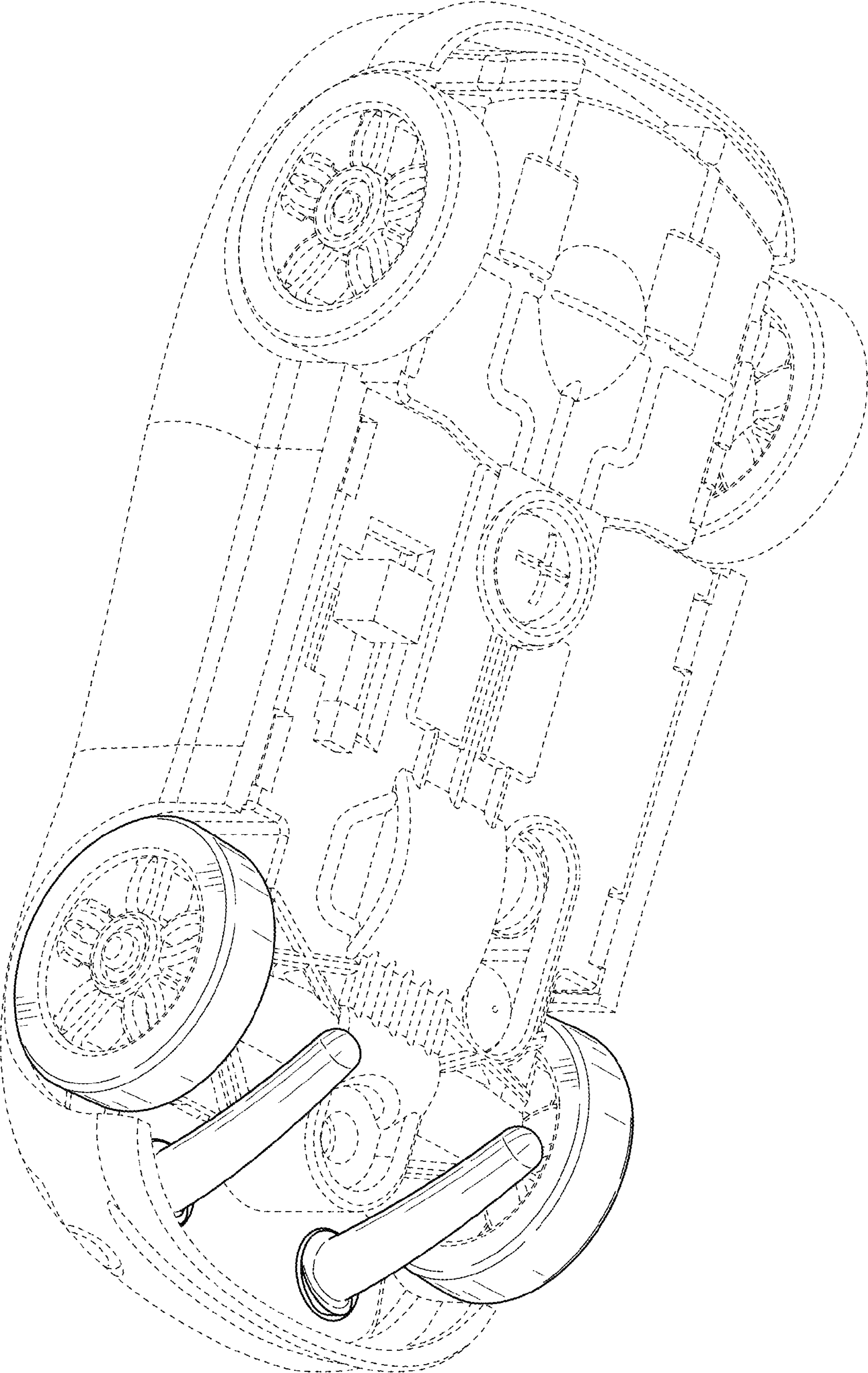


FIG. 2

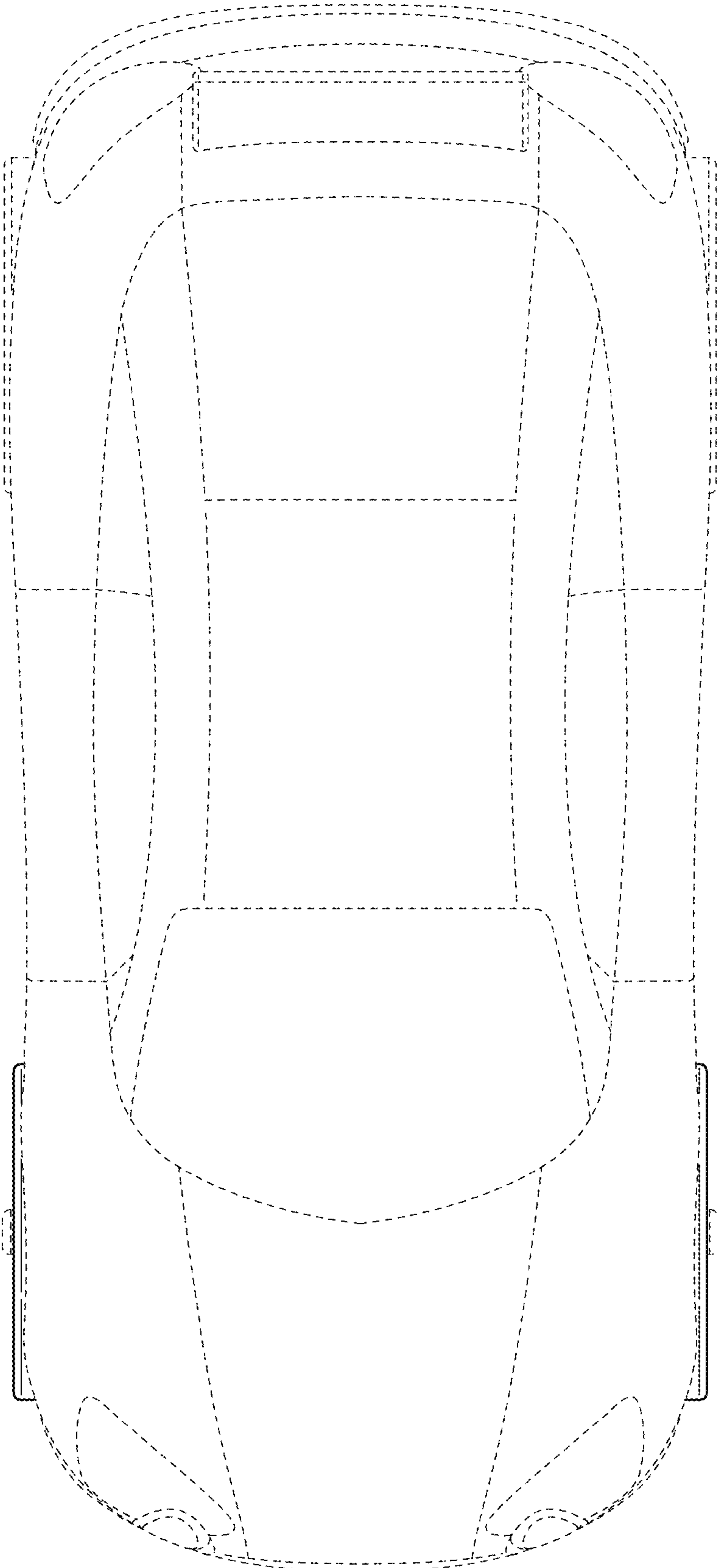


FIG. 3

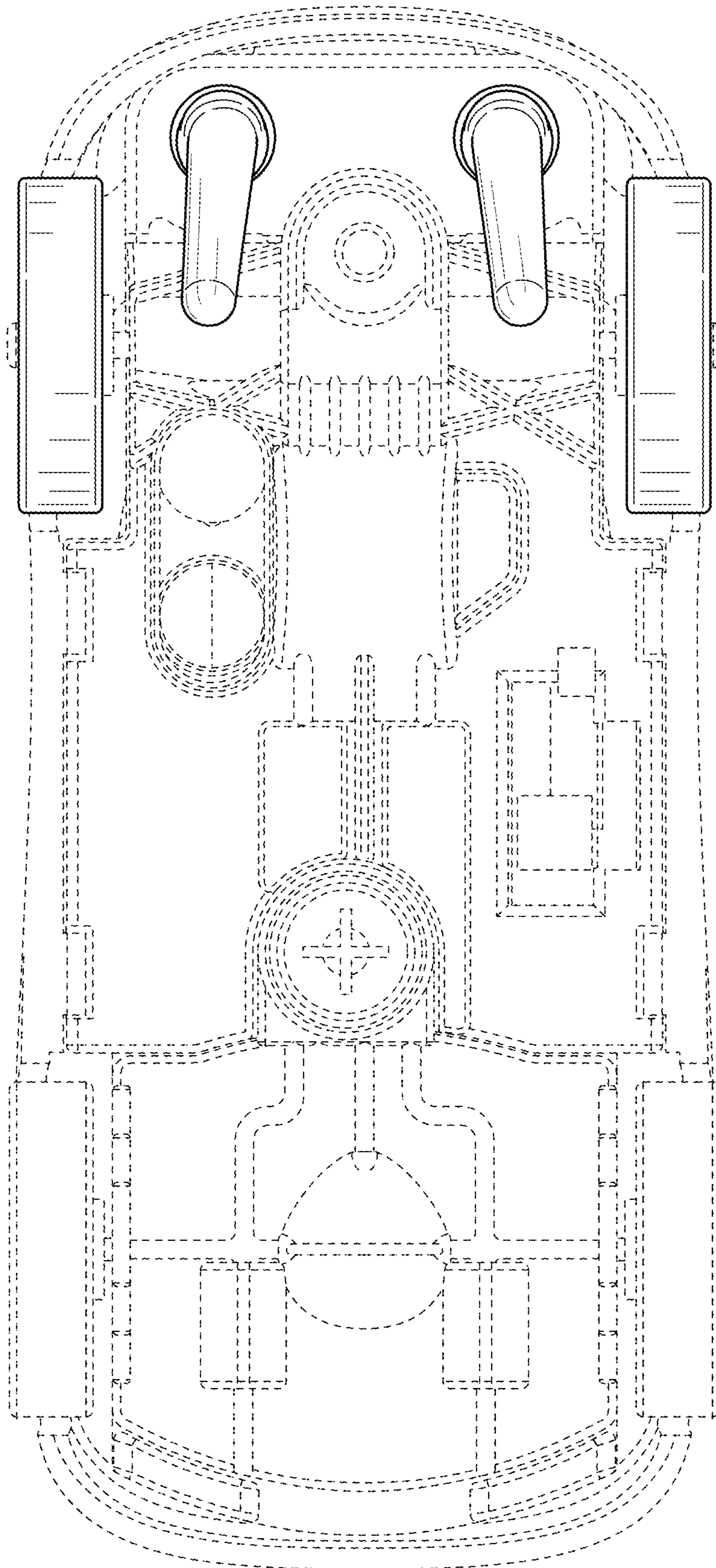


FIG. 4

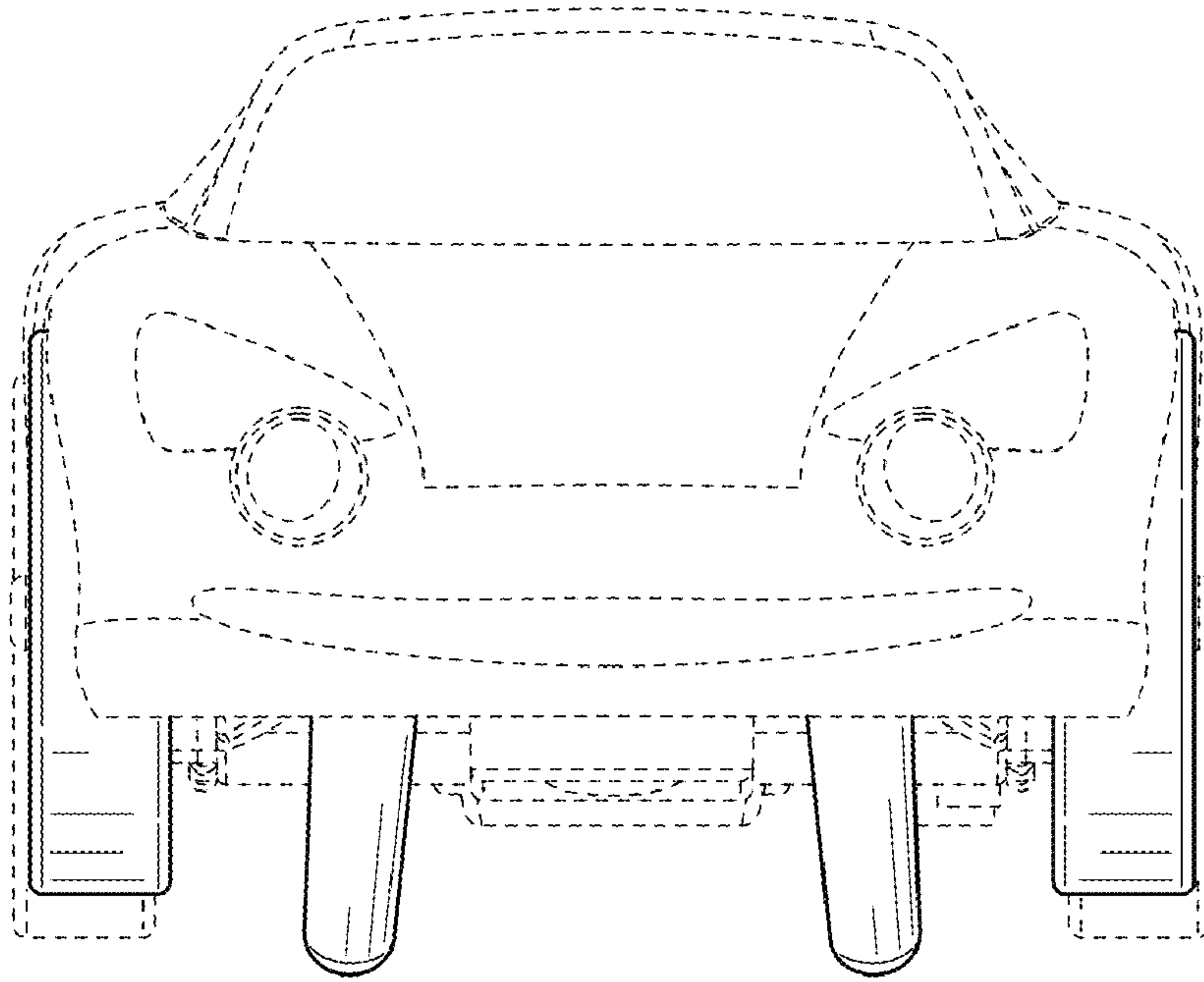


FIG. 5

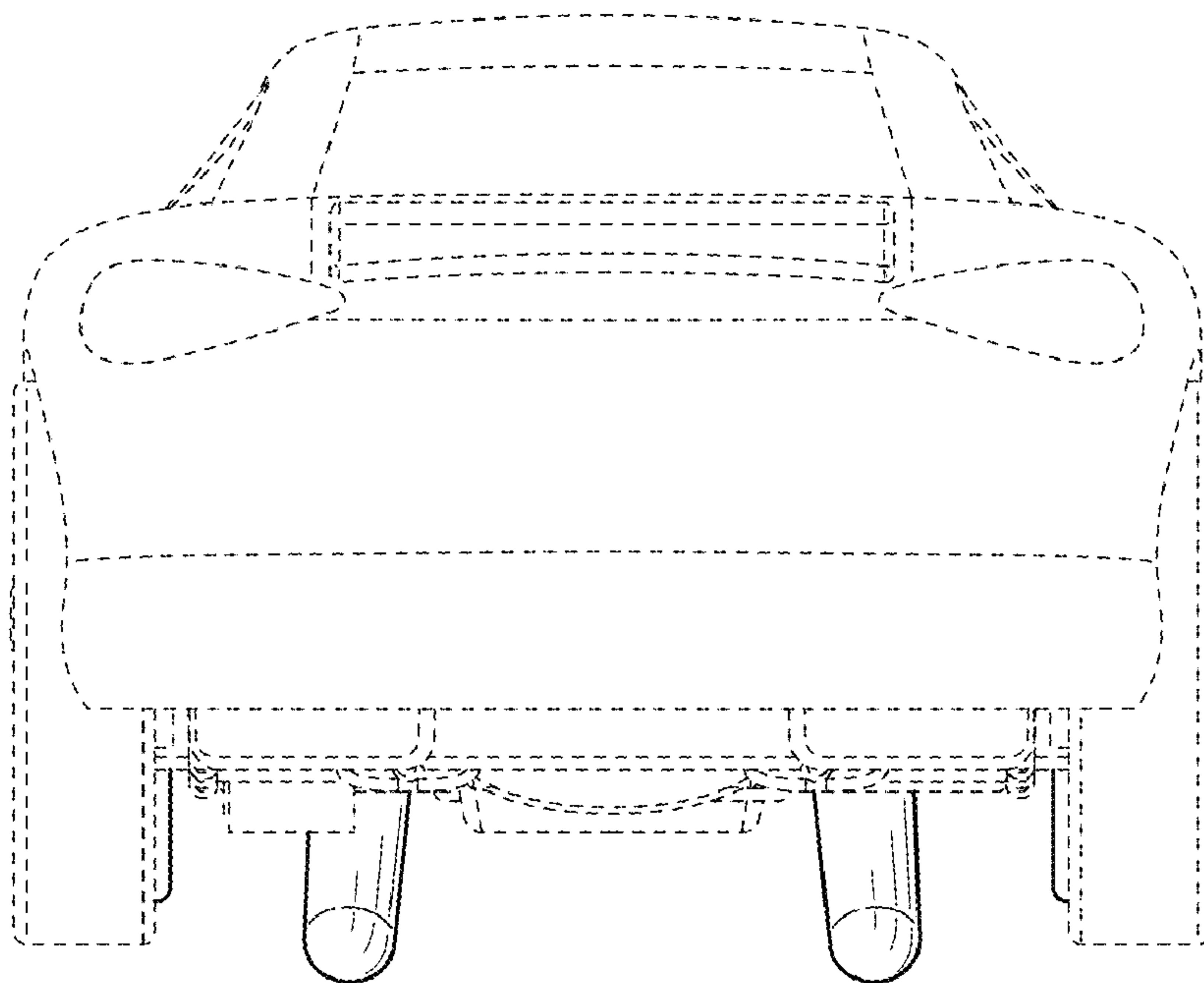


FIG. 6

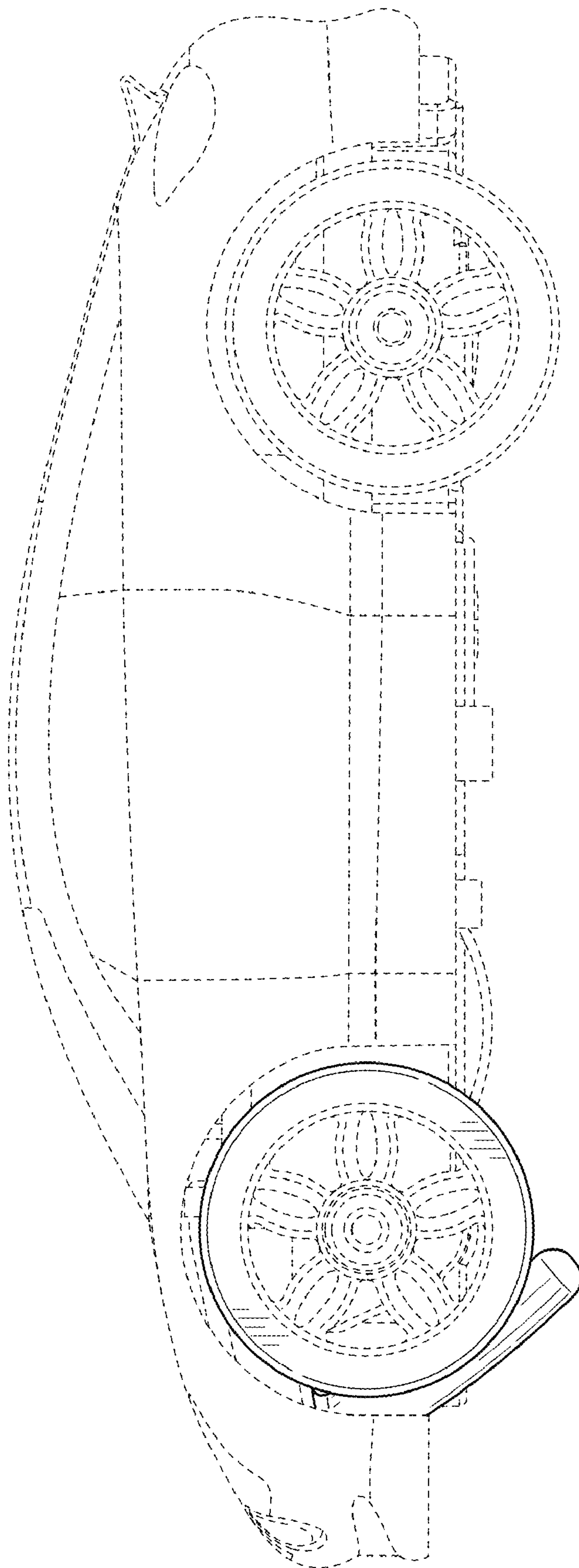


FIG. 7

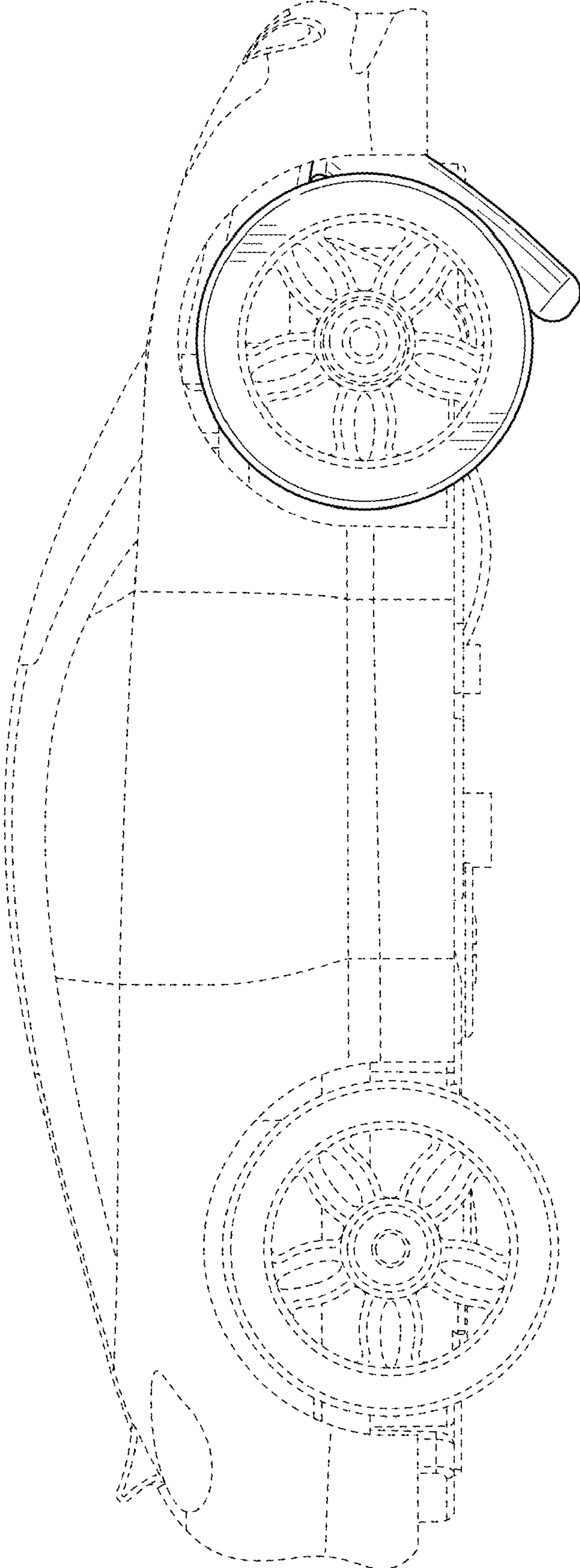


FIG. 8