



US00D679760S

(12) **United States Design Patent**
Kronemeyer et al.

(10) **Patent No.:** **US D679,760 S**

(45) **Date of Patent:** **** Apr. 9, 2013**

(54) **SIGN HOLDER**

(76) Inventors: **Brian S. Kronemeyer**, Hudsonville, MI
(US); **Gary A. Moshluk**, Zeeland, MI
(US)

(**) Term: **14 Years**

(21) Appl. No.: **29/398,253**

(22) Filed: **Jul. 28, 2011**

(51) **LOC (9) Cl.** **20-03**

(52) **U.S. Cl.** **D20/43**

(58) **Field of Classification Search** D20/10,
D20/19, 42-44, 99; 40/606.01, 606.03, 606.09,
40/606.11, 606.13, 606.14, 606.16-606.18,
40/607.01, 611.11, 642.02, 643, 644, 649,
40/655, 661, 661.03, 661.06, 662, 666; D8/382,
D8/394

See application file for complete search history.

(56) **References Cited**

U.S. PATENT DOCUMENTS

D287,099	S	*	12/1986	Cory	D8/394
4,894,937	A		1/1990	Davis		
5,307,580	A		5/1994	Farmer		
5,595,010	A	*	1/1997	Fuller et al.	40/611.11
5,682,696	A		11/1997	Gill		
D463,258	S	*	9/2002	Scherer et al.	D8/382
7,159,352	B1	*	1/2007	Lefebvre et al.	40/661.03
D547,383	S	*	7/2007	Jay	D20/43
7,743,541	B2	*	6/2010	Suciu et al.	40/658
8,028,452	B2	*	10/2011	Laursen et al.	40/649
2010/0269385	A1	*	10/2010	Walter	40/606.18

2011/0277363 A1* 11/2011 Dukes et al. 40/606.01

* cited by examiner

Primary Examiner — Mary Ann Calabrese

(74) *Attorney, Agent, or Firm* — Price Heneveld LLP

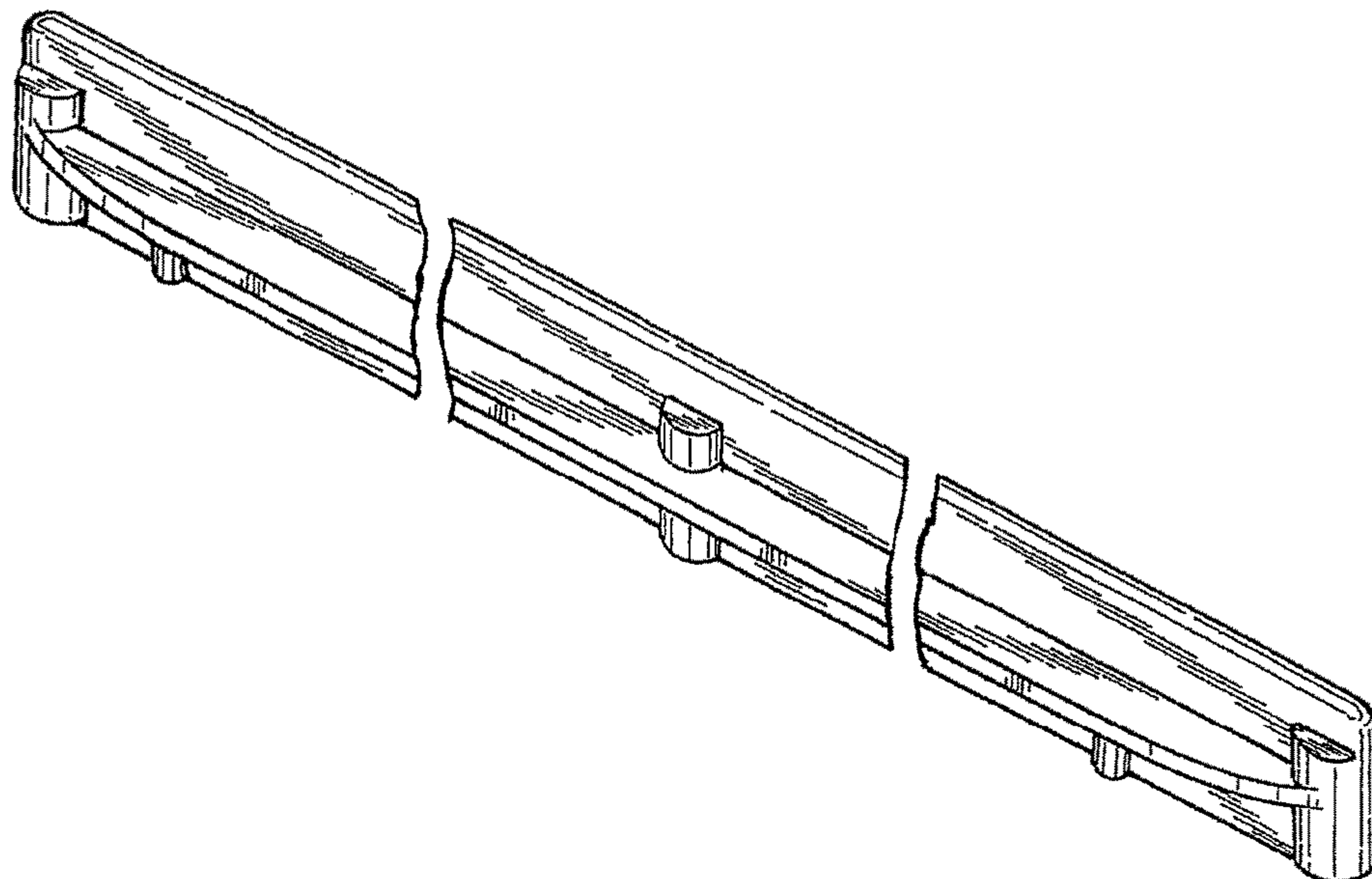
(57) **CLAIM**

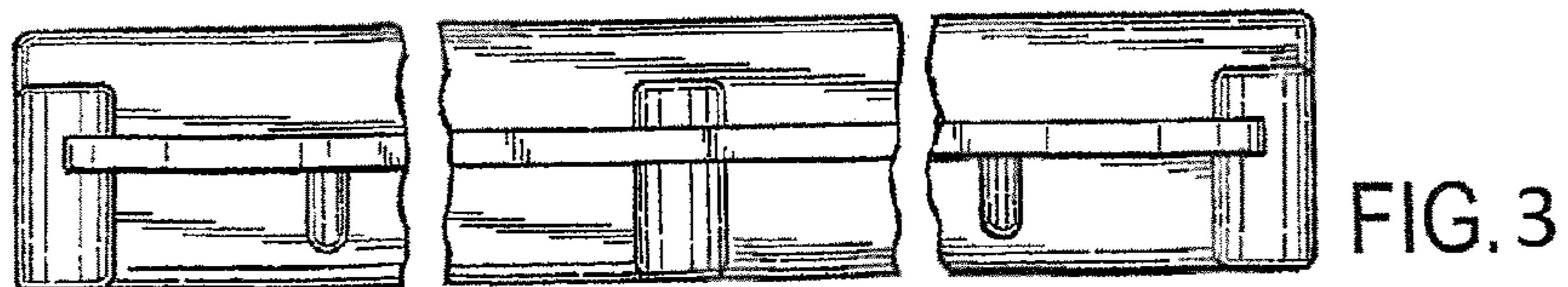
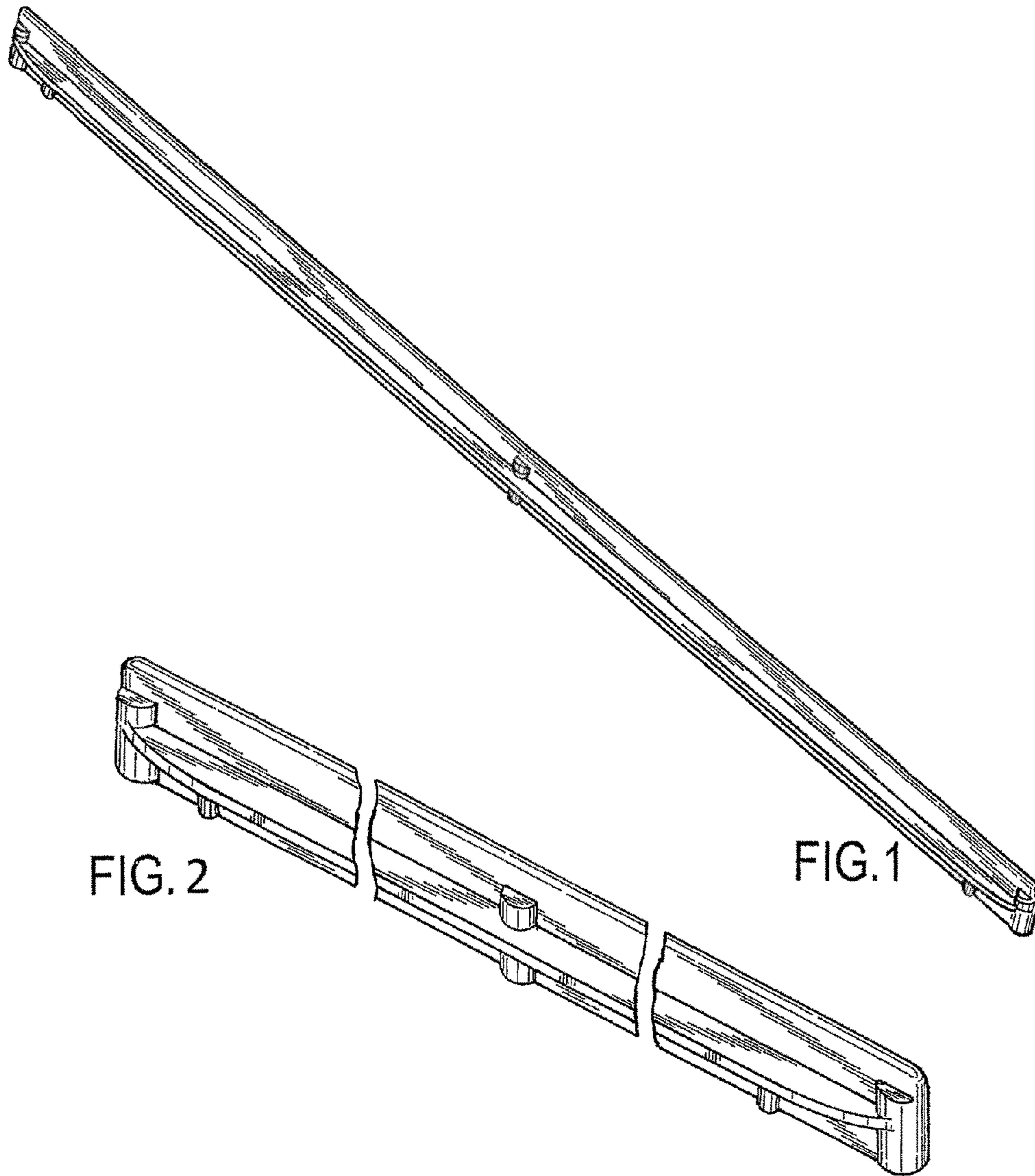
We claim the ornamental design for sign holder, as shown and described.

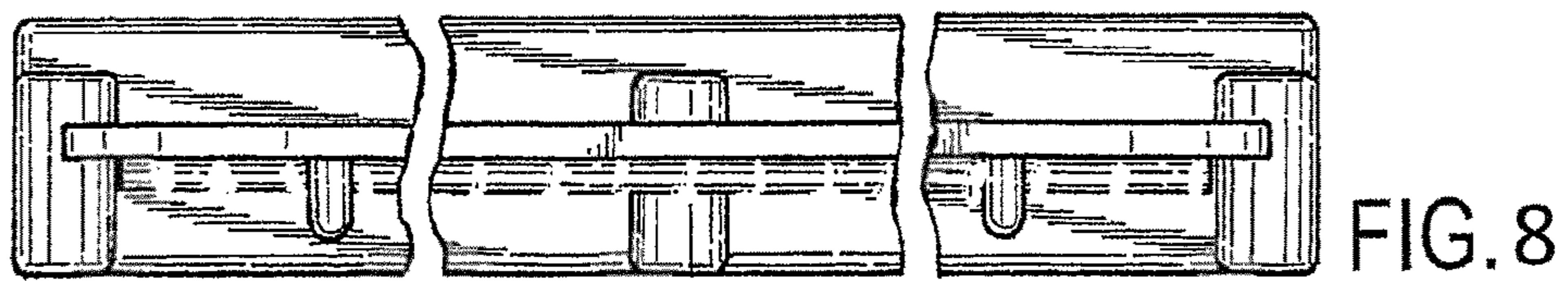
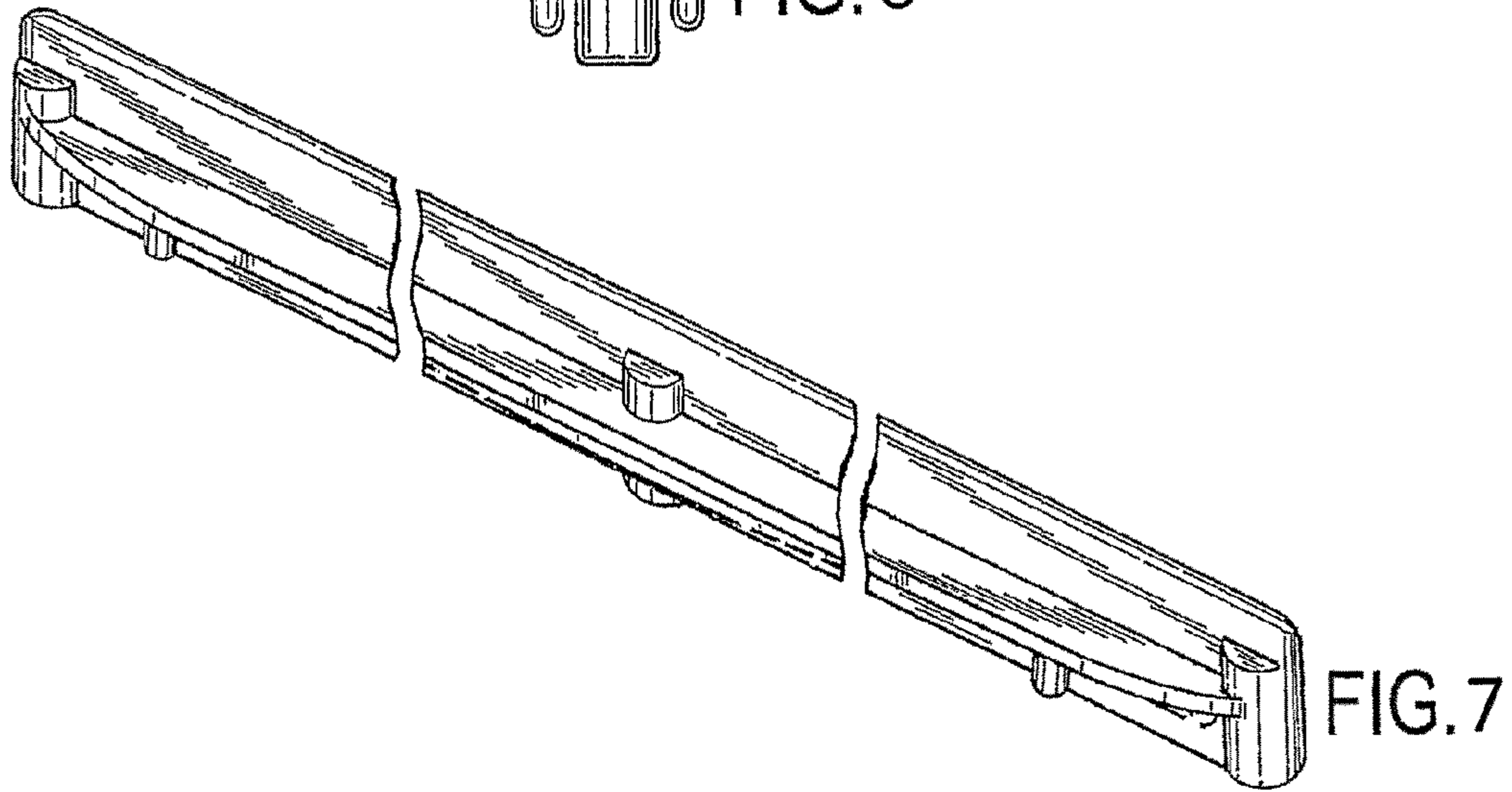
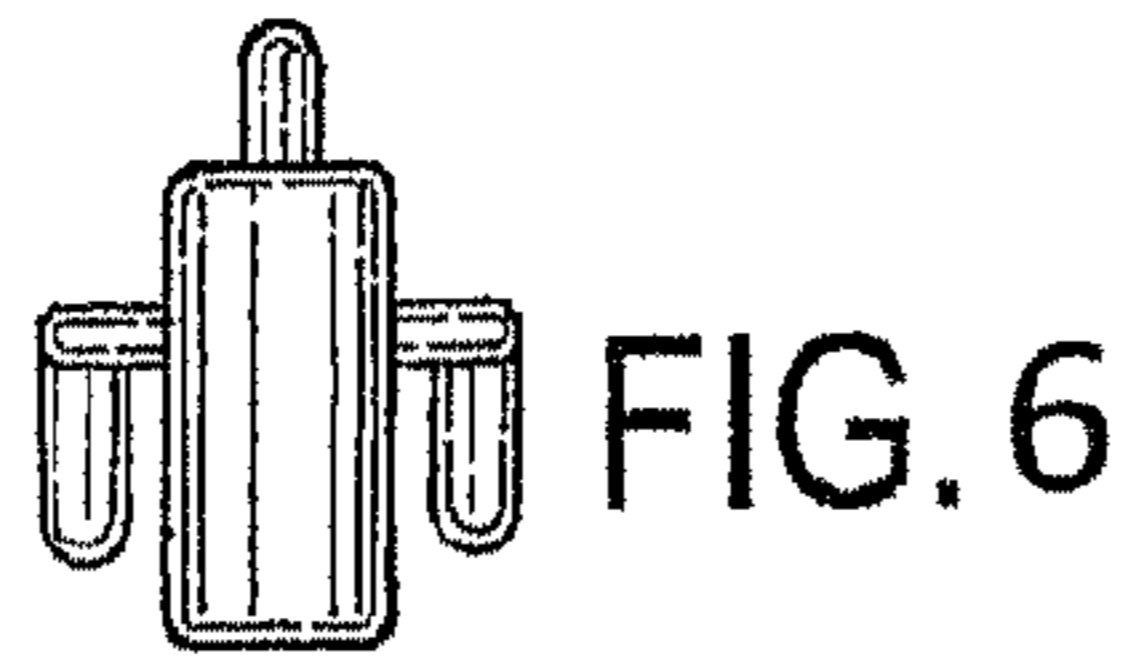
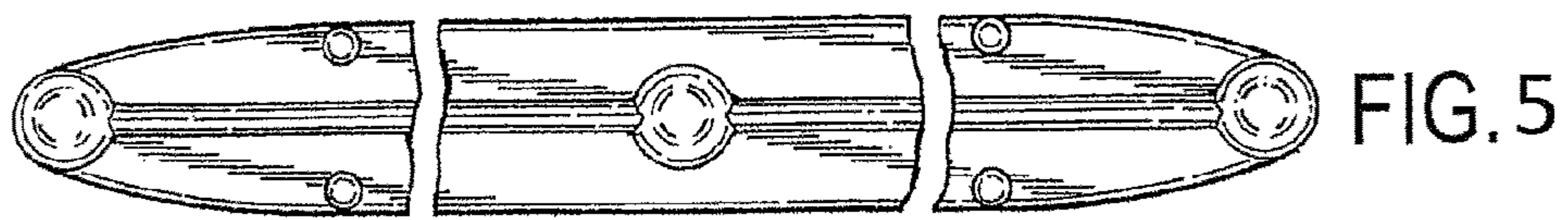
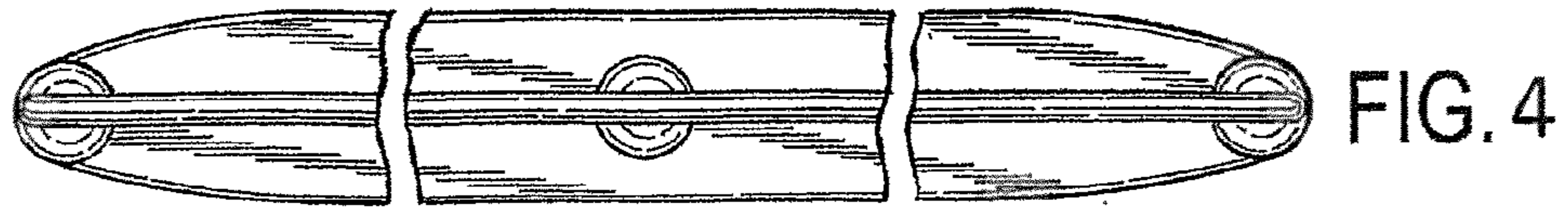
DESCRIPTION

FIG. 1 is a perspective view of a sign holder, and FIG. 2 is an enlarged fragmentary view of FIG. 1 showing a center portion and end portions for clarity of illustration. FIG. 3 is a front side view of the article in FIG. 1. FIG. 4 is a top view of the article in FIG. 1. FIG. 5 is a bottom view of the article in FIG. 1. FIG. 6 is a first end view of the article in FIG. 1. The rear side view of the article in FIG. 1 is a mirror image of the front side view in FIG. 3, and the opposing end view is a mirror image of the first end view in FIG. 6. FIG. 7 is a perspective view of the sign holder in FIG. 1 but further including in dashed lines as environment a cross bar and wires stored thereon. FIG. 8 is a front side view of the article in FIG. 7. FIG. 9 is a bottom view of the article in FIG. 7; and, FIG. 10 is a first end view of the article in FIG. 7. The rear side view of the article in FIG. 7 is a mirror image of the front side view in FIG. 8, and the opposing end view is a mirror image of the first end view in FIG. 10, and the top view is identical to FIG. 4. The portions of the sign holder shown in broken lines form no part of the claimed design.

1 Claim, 3 Drawing Sheets







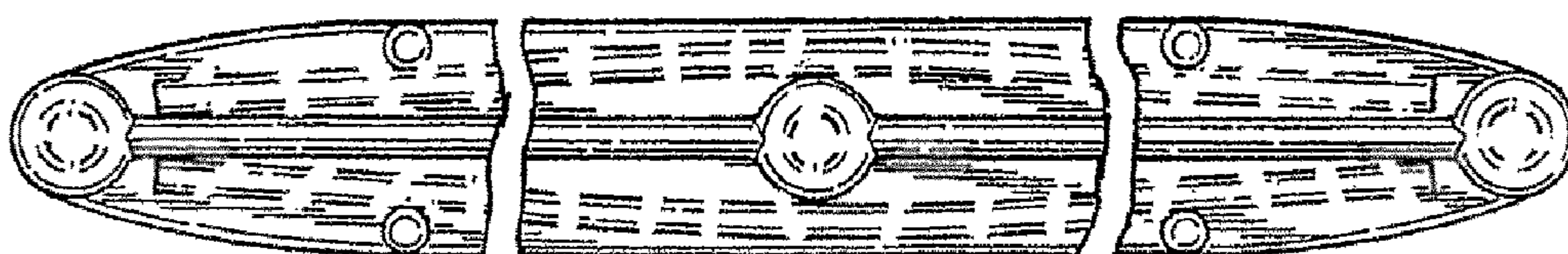


FIG. 9

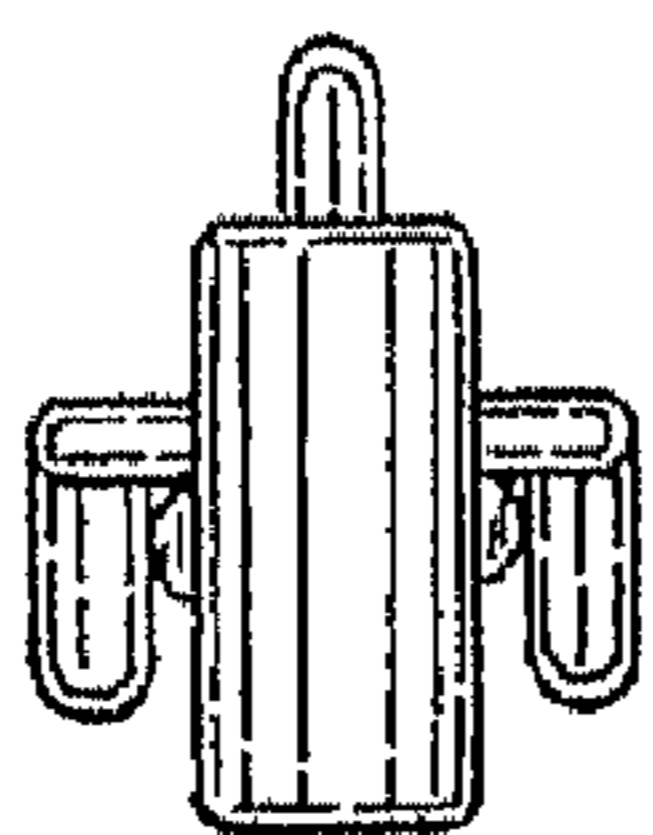


FIG. 10