



US00D679752S

(12) **United States Design Patent**
Hutchison et al.

(10) **Patent No.:** **US D679,752 S**

(45) **Date of Patent:** **** Apr. 9, 2013**

(54) **PRINTER TAPE CASSETTE**
(75) Inventors: **Bruce Hutchison**, Cottenham (GB);
Alasdair Barnett, Cambridge (GB)
(73) Assignee: **Domino Printing Sciences PLC** (CA)

6,735,048 B2 * 5/2004 Kushiro et al. 360/132
7,164,551 B2 * 1/2007 Urano et al. 360/77.12
D537,105 S * 2/2007 Obenshain et al. D18/12
7,841,790 B2 * 11/2010 Yamaguchi et al. 400/613
7,988,373 B2 * 8/2011 Vandermeulen 400/208
2008/0038034 A1 * 2/2008 Yamaguchi et al. 400/76

* cited by examiner

(**) Term: **14 Years**

Primary Examiner — Cathy A MacCormac

(21) Appl. No.: **29/392,290**

(74) *Attorney, Agent, or Firm* — Price Heneveld LLP

(22) Filed: **May 19, 2011**

(57) **CLAIM**

We claim the ornamental design for printer tape cassette, as shown.

(30) **Foreign Application Priority Data**

Nov. 19, 2010 (GB) 4017874

DESCRIPTION

(51) **LOC (9) Cl.** **18-02**

(52) **U.S. Cl.**
USPC **D18/56**

(58) **Field of Classification Search** D18/12,
D18/43, 56; 400/194–196, 207–208, 234,
400/235.1, 247; 360/132

See application file for complete search history.

FIG. 1 is a perspective view of a top, front, and right side of a printer tape cassette;
FIG. 2 is a front elevational view of the printer tape cassette;
FIG. 3 is a rear elevational view of the printer tape cassette;
FIG. 4 is a right side elevational view of the printer tape cassette;
FIG. 5 is a left side elevational view of the printer tape cassette;
FIG. 6 is a top plan view of the printer tape cassette; and,
FIG. 7 is a bottom plan view of the printer tape cassette.

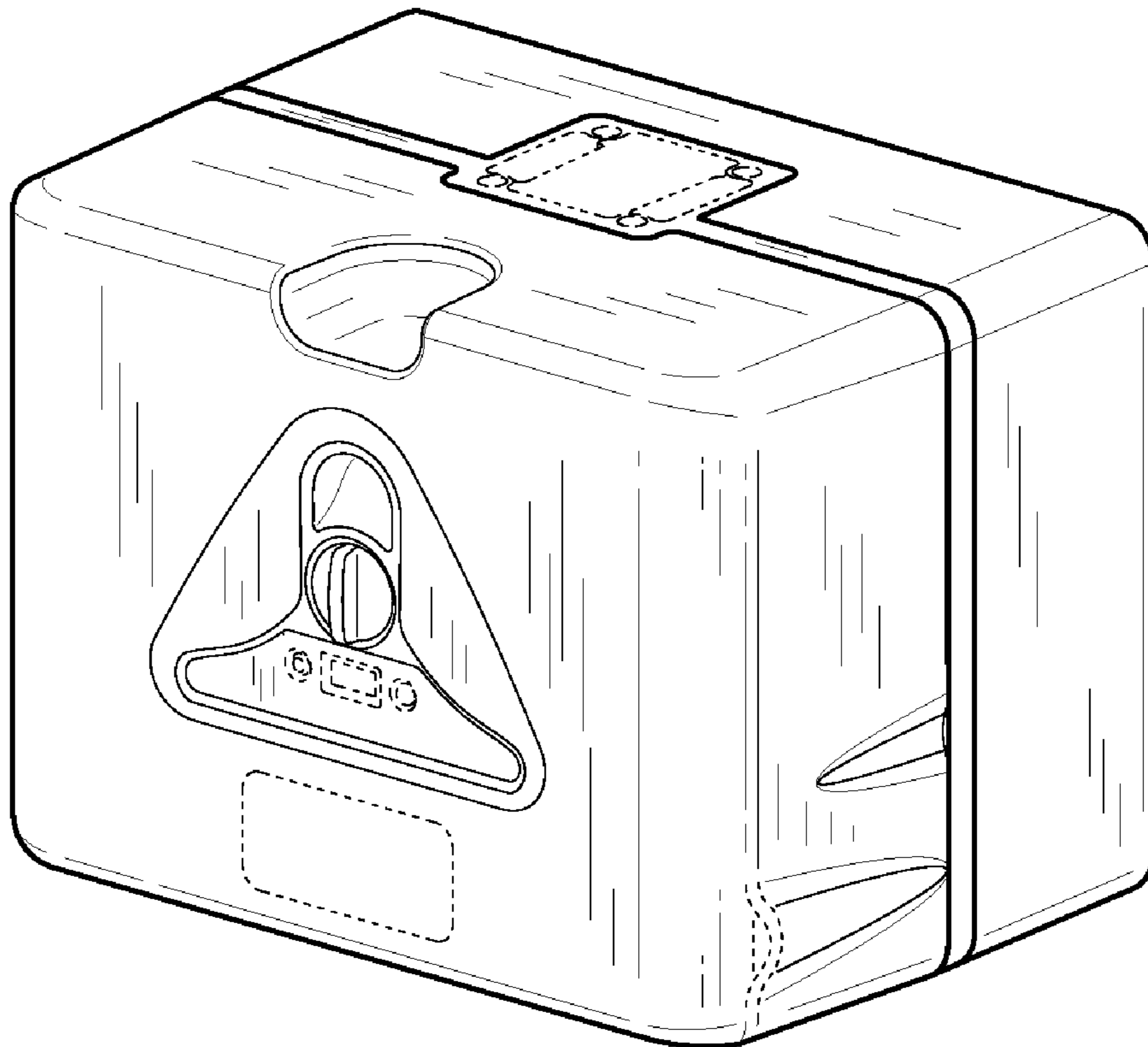
The broken lines are for illustration only and form no part of the claimed design.

(56) **References Cited**

U.S. PATENT DOCUMENTS

4,006,493 A * 2/1977 Gerry 360/132
5,324,123 A * 6/1994 Hattori 400/207
5,350,243 A * 9/1994 Ichinomiya et al. 400/208
5,813,773 A * 9/1998 Kawai 400/207

1 Claim, 2 Drawing Sheets



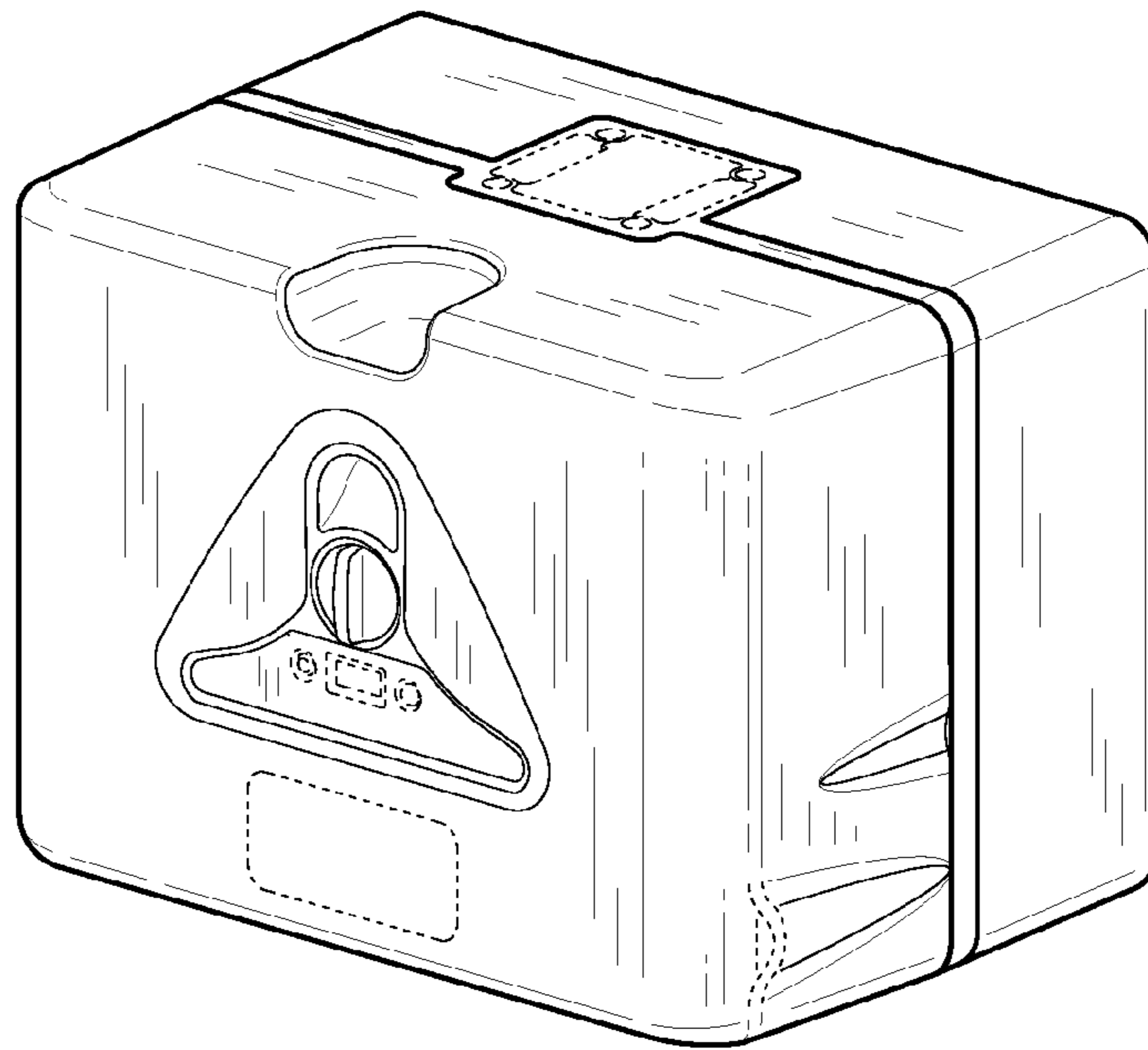


FIG. 1

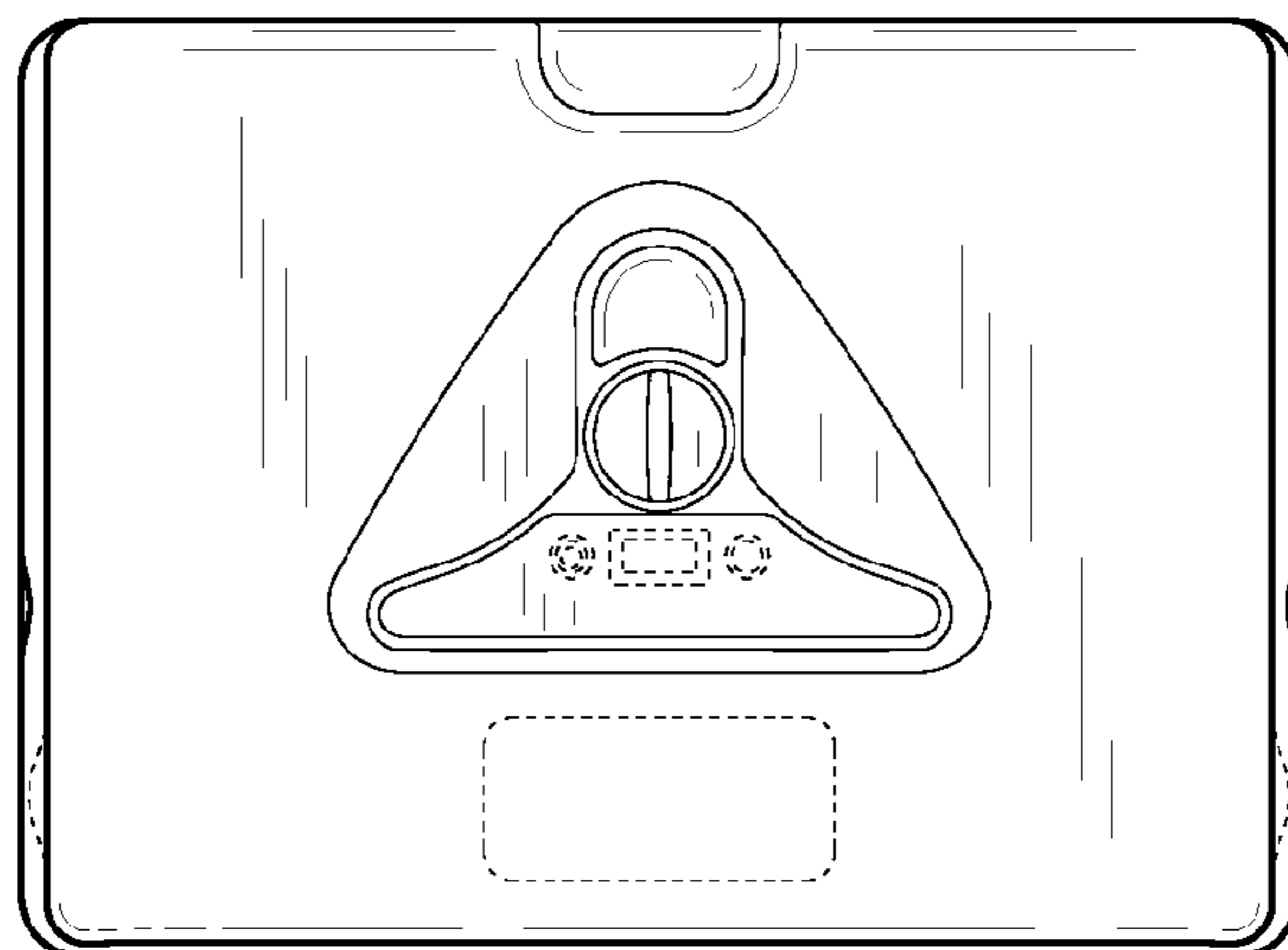


FIG. 2

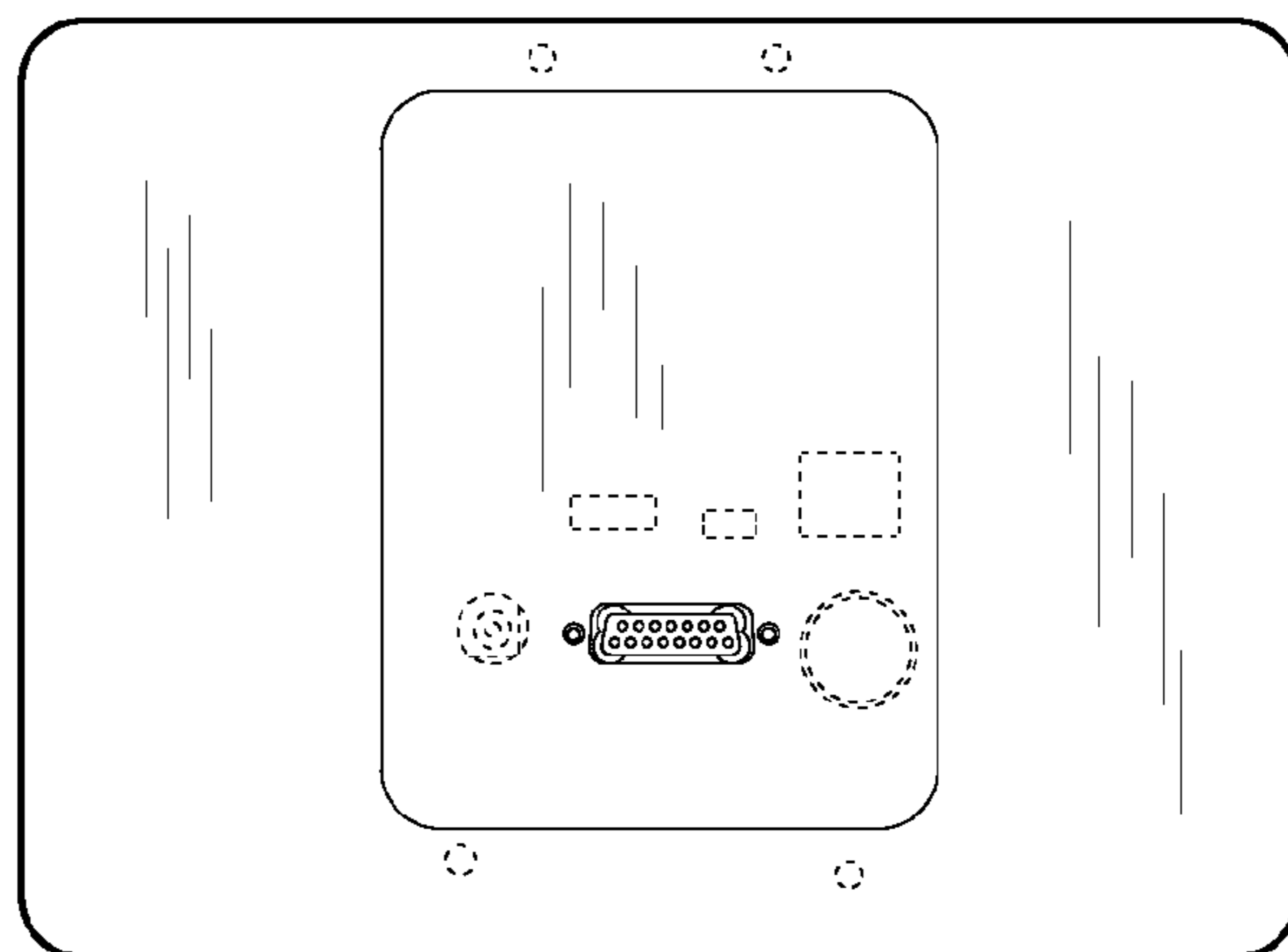


FIG. 3

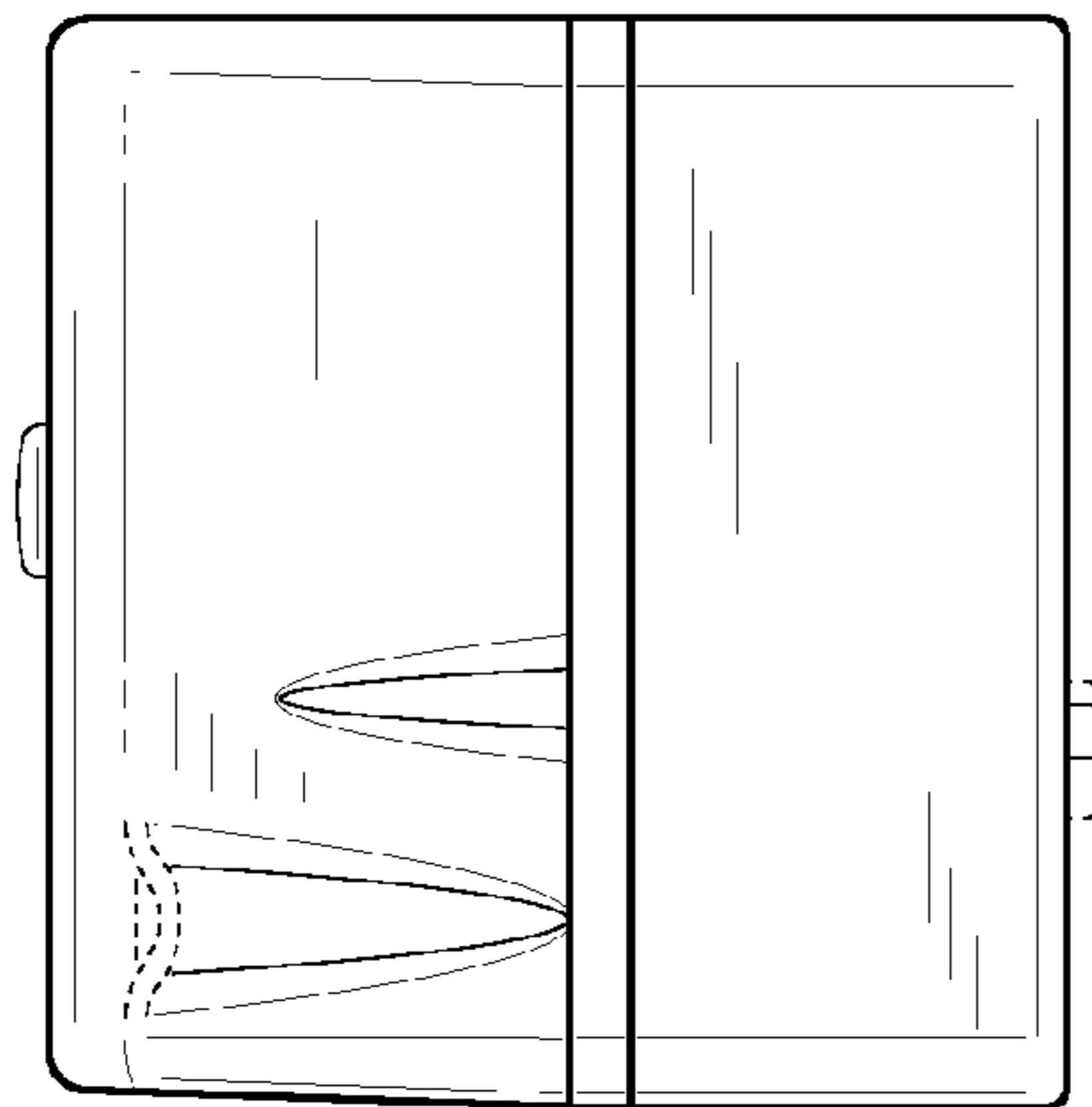


FIG. 4

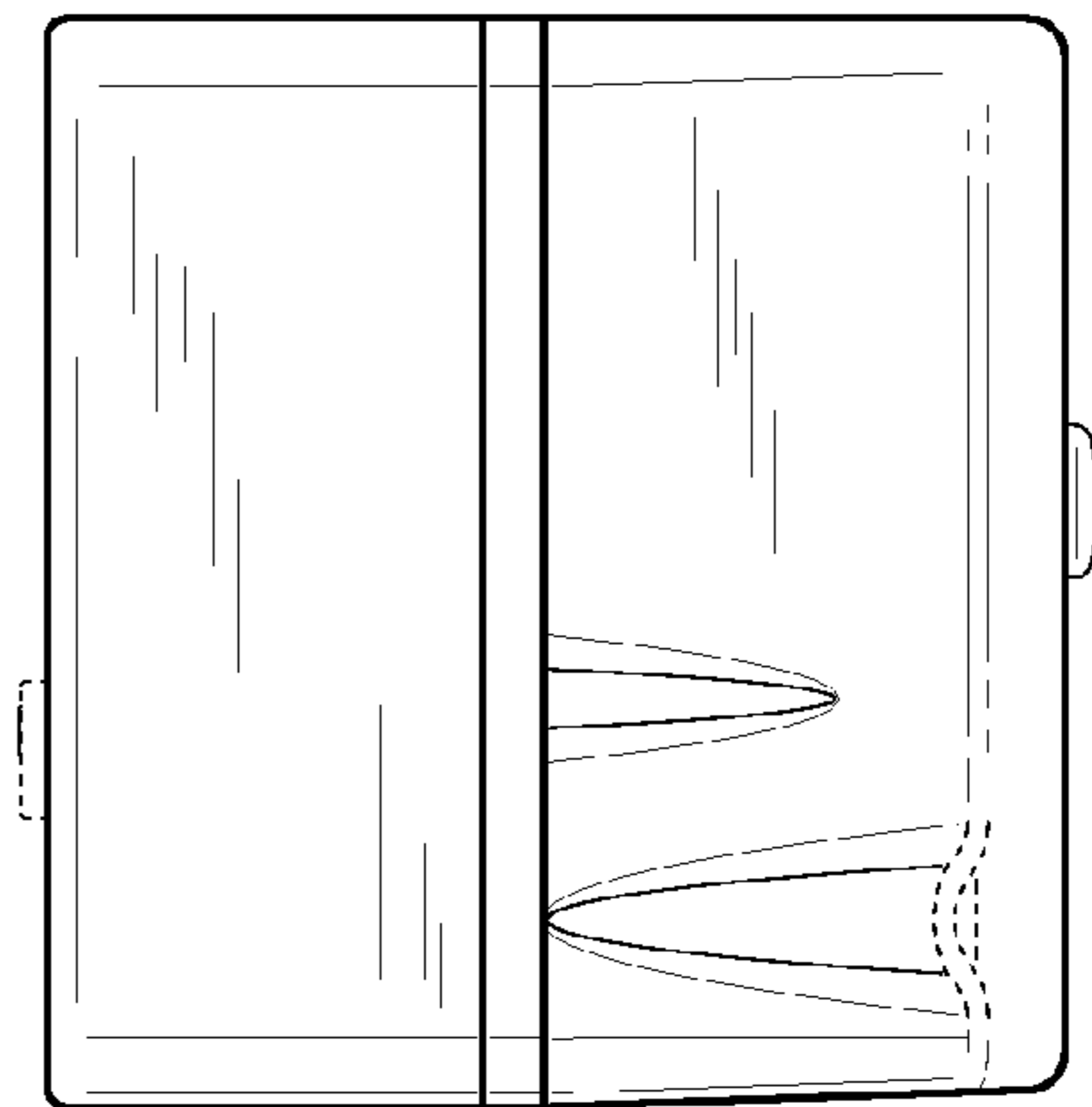


FIG. 5

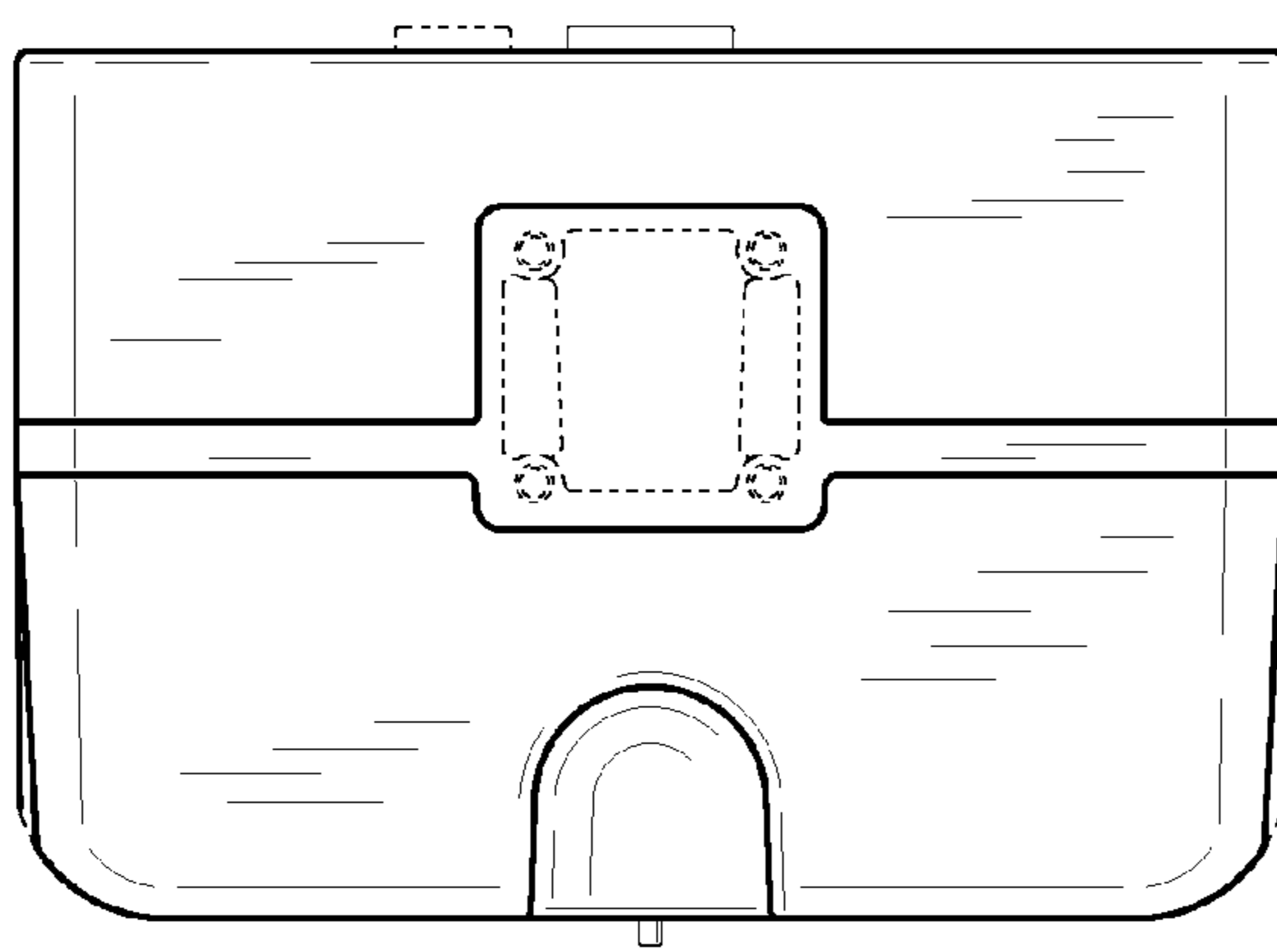


FIG. 6

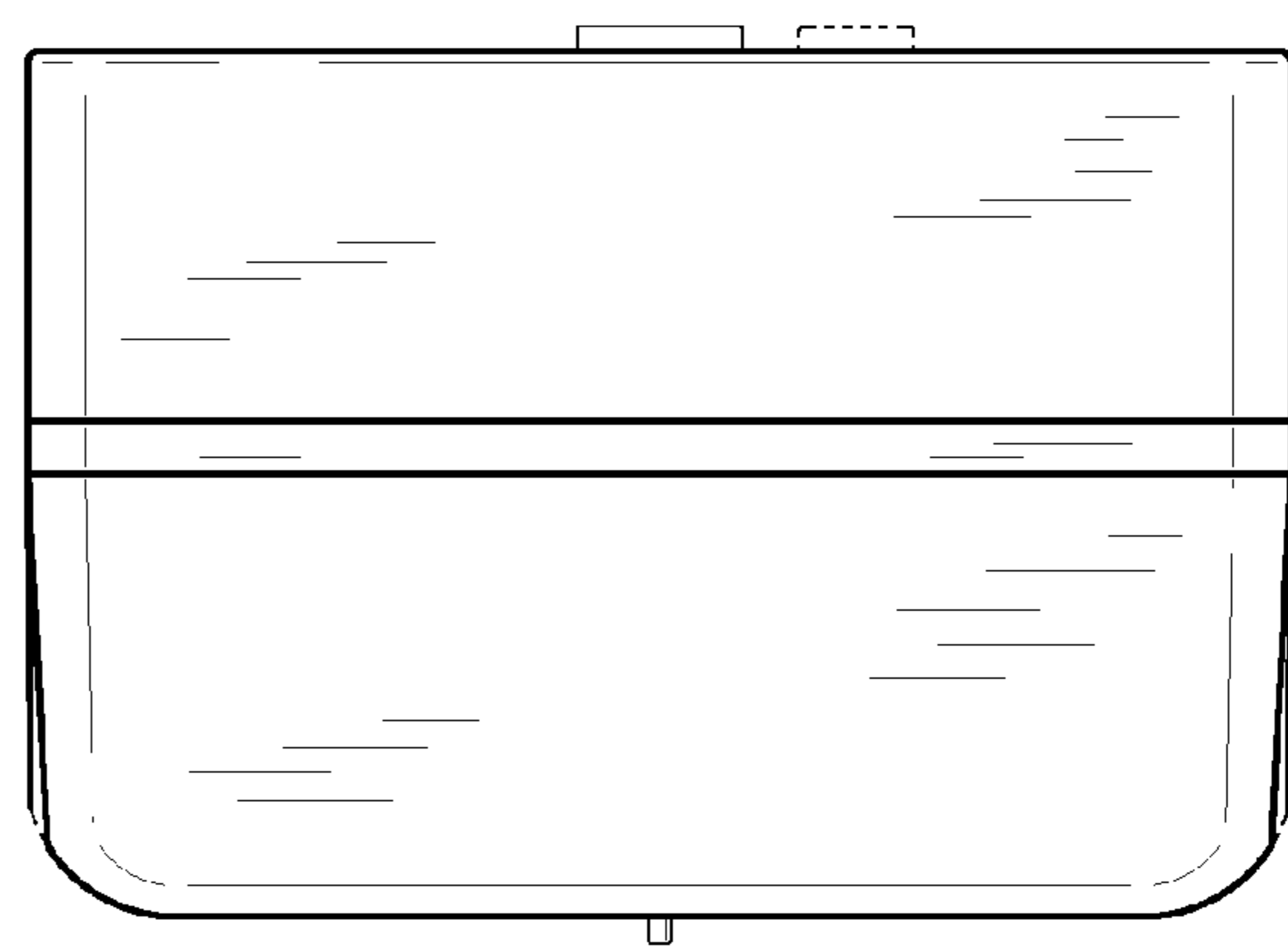


FIG. 7

UNITED STATES PATENT AND TRADEMARK OFFICE
CERTIFICATE OF CORRECTION

PATENT NO. : D679,752 S
APPLICATION NO. : 29/392290
DATED : April 9, 2013
INVENTOR(S) : Bruce Hutchison

Page 1 of 1

It is certified that error appears in the above-identified patent and that said Letters Patent is hereby corrected as shown below:

Title Page, item (73), Assignee, "Domino Printing Sciences PLC (CA)" should be --Domino Printing Sciences PLC (UK)--.

Signed and Sealed this
Eleventh Day of February, 2014



Michelle K. Lee
Deputy Director of the United States Patent and Trademark Office