



US00D679750S

(12) **United States Design Patent**
Fujii

(10) **Patent No.:** **US D679,750 S**
(45) **Date of Patent:** **** *Apr. 9, 2013**

(54) **TONER CARTRIDGE**

(75) Inventor: **Hirokazu Fujii**, Osaka (JP)

(73) Assignee: **Kyocera Mita Corporation**, Osaka (JP)

(*) Notice: This patent is subject to a terminal disclaimer.

(**) Term: **14 Years**

(21) Appl. No.: **29/402,539**

(22) Filed: **Sep. 23, 2011**

Related U.S. Application Data

(62) Division of application No. 29/375,758, filed on Sep. 27, 2010, now Pat. No. Des. 655,332.

(30) **Foreign Application Priority Data**

Mar. 31, 2010 (JP) D2010-008044
Mar. 31, 2010 (JP) D2010-008045

(51) **LOC (9) Cl.** **16-03**

(52) **U.S. Cl.** **D18/43**

(58) **Field of Classification Search** D14/471;
D18/12, 36, 40, 43, 44, 56; 222/DIG. 1;
347/197, 222; 399/24-28, 107-112, 119,
399/121, 122, 222-224

See application file for complete search history.

(56) **References Cited**

U.S. PATENT DOCUMENTS

D365,846 S 1/1996 Nishimura
D366,275 S 1/1996 Komaki
D525,289 S 7/2006 Murata
D559,894 S 1/2008 Sato
D559,895 S 1/2008 Sato

D559,896 S 1/2008 Sato
D585,484 S 1/2009 Tanaka
D604,358 S 11/2009 Kinoshita et al.
D625,755 S * 10/2010 Park et al. D18/43
D655,332 S * 3/2012 Fujii D18/43

FOREIGN PATENT DOCUMENTS

EP 000541503-0001 8/2006
JP 1257112 12/2005

OTHER PUBLICATIONS

Taiwan Official Action—099304940—Apr. 20, 2011.
Taiwan Official Action—099304941—Apr. 20, 2011.
Official Action dated Oct. 28, 2010 in Japanese Design Application No. 2010-008044 filed Mar. 31, 2010.
Official Action dated Oct. 28, 2010 in Japanese Design Application No. 2010-008045 filed Mar. 31, 2010.

* cited by examiner

Primary Examiner — Garth Rademaker

(74) *Attorney, Agent, or Firm* — Young & Thompson

(57) **CLAIM**

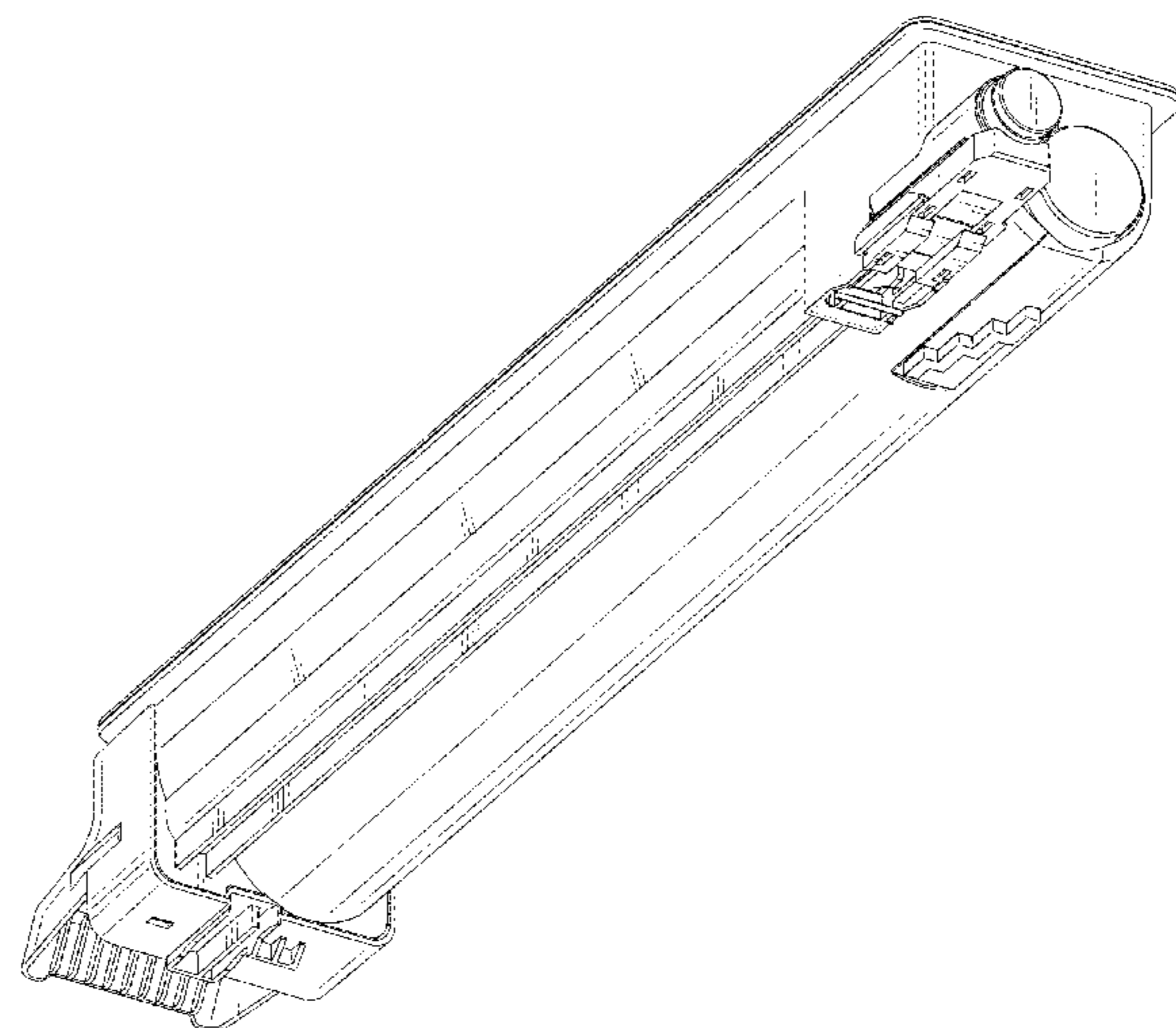
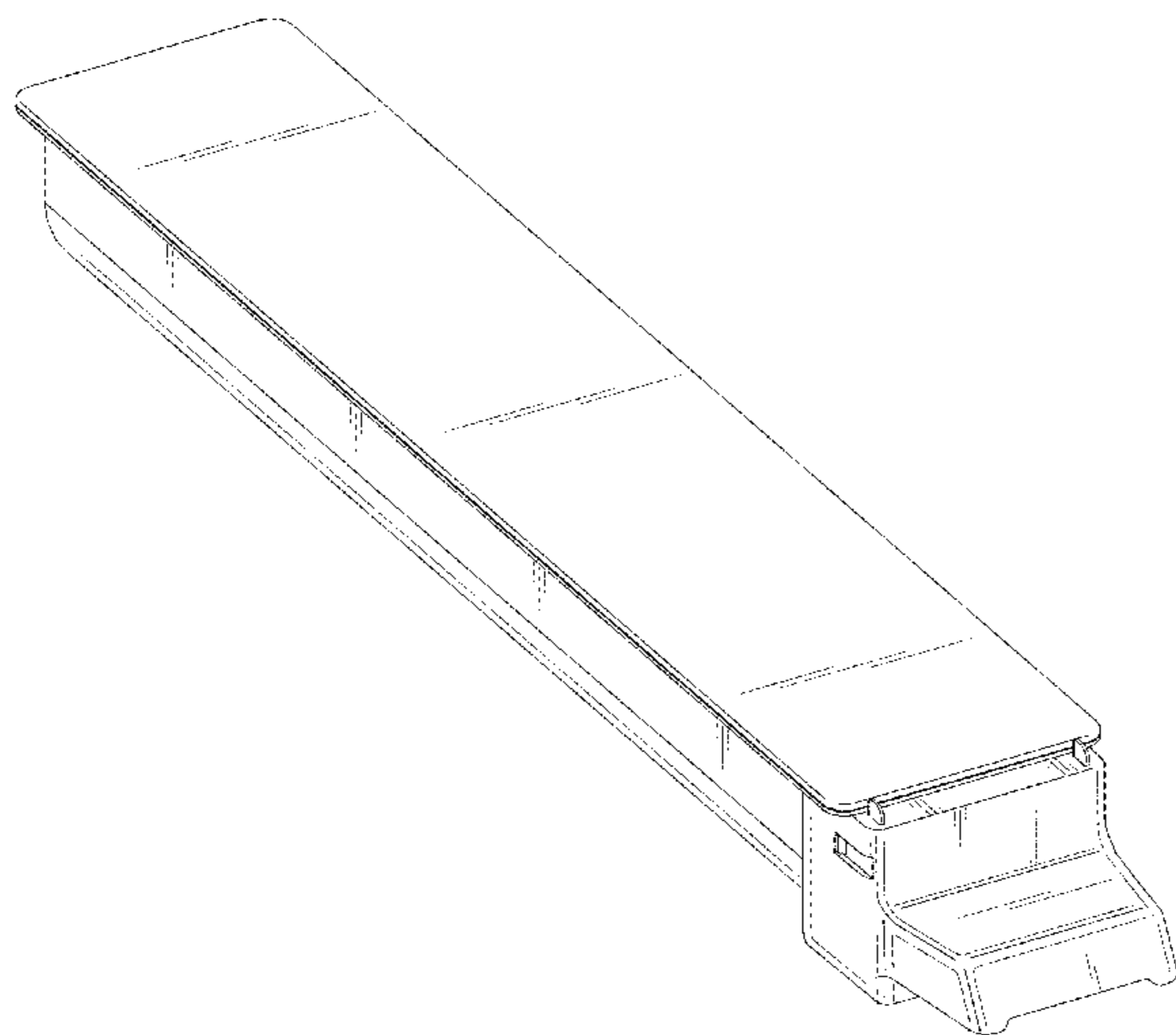
The ornamental design for a toner cartridge, as shown and described.

DESCRIPTION

FIG. 1 is a top, front, right side perspective view of a toner cartridge showing my new design;
FIG. 2 is a rear, bottom, left side perspective view thereof;
FIG. 3 is a front view thereof;
FIG. 4 is a rear view thereof;
FIG. 5 is a top plan view thereof;
FIG. 6 is a bottom view thereof;
FIG. 7 is a right side view thereof; and,
FIG. 8 is a left side view thereof.

The broken line showing is for environmental purposes only and forms no part of the claimed design.

1 Claim, 5 Drawing Sheets



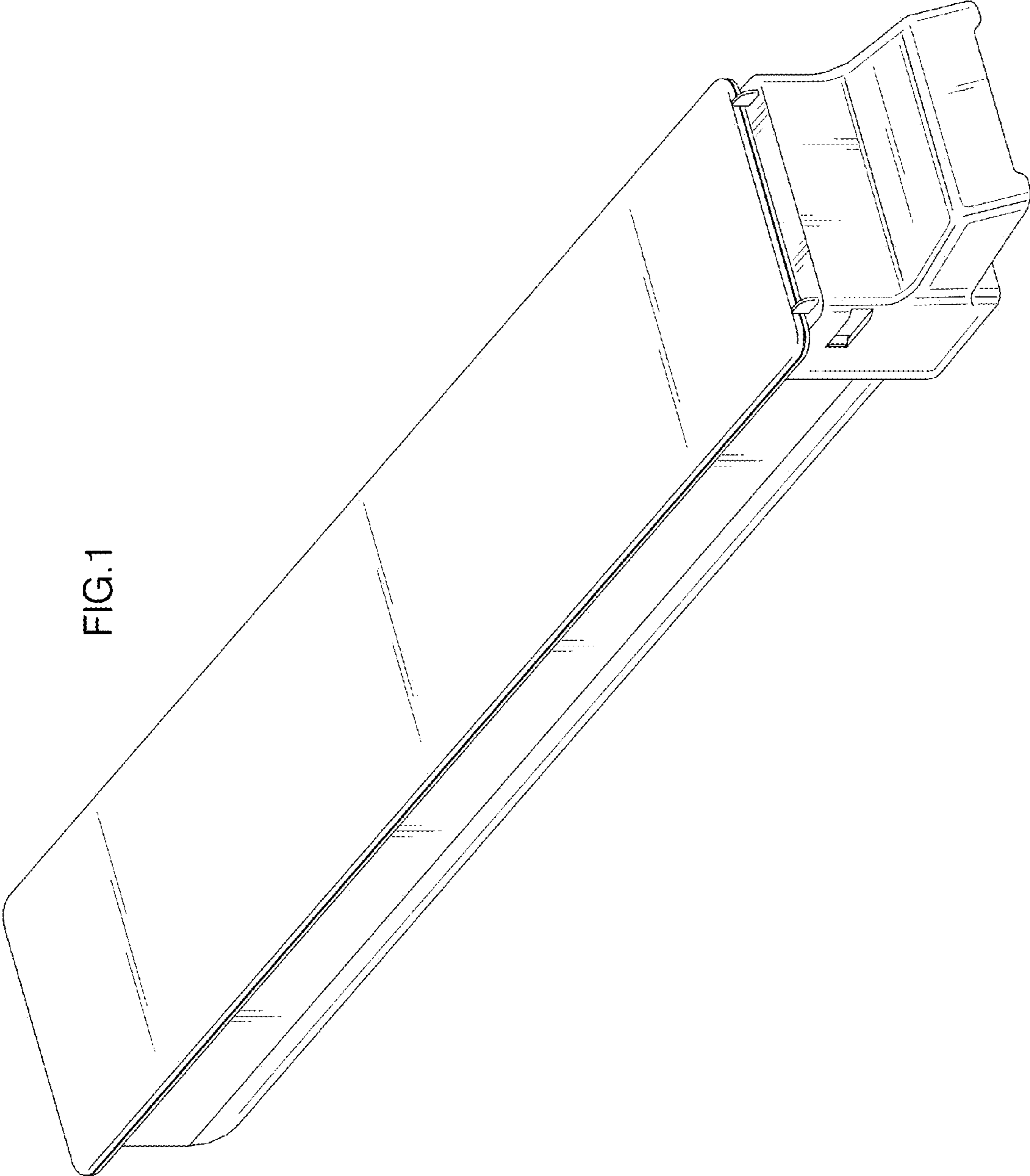


FIG. 1

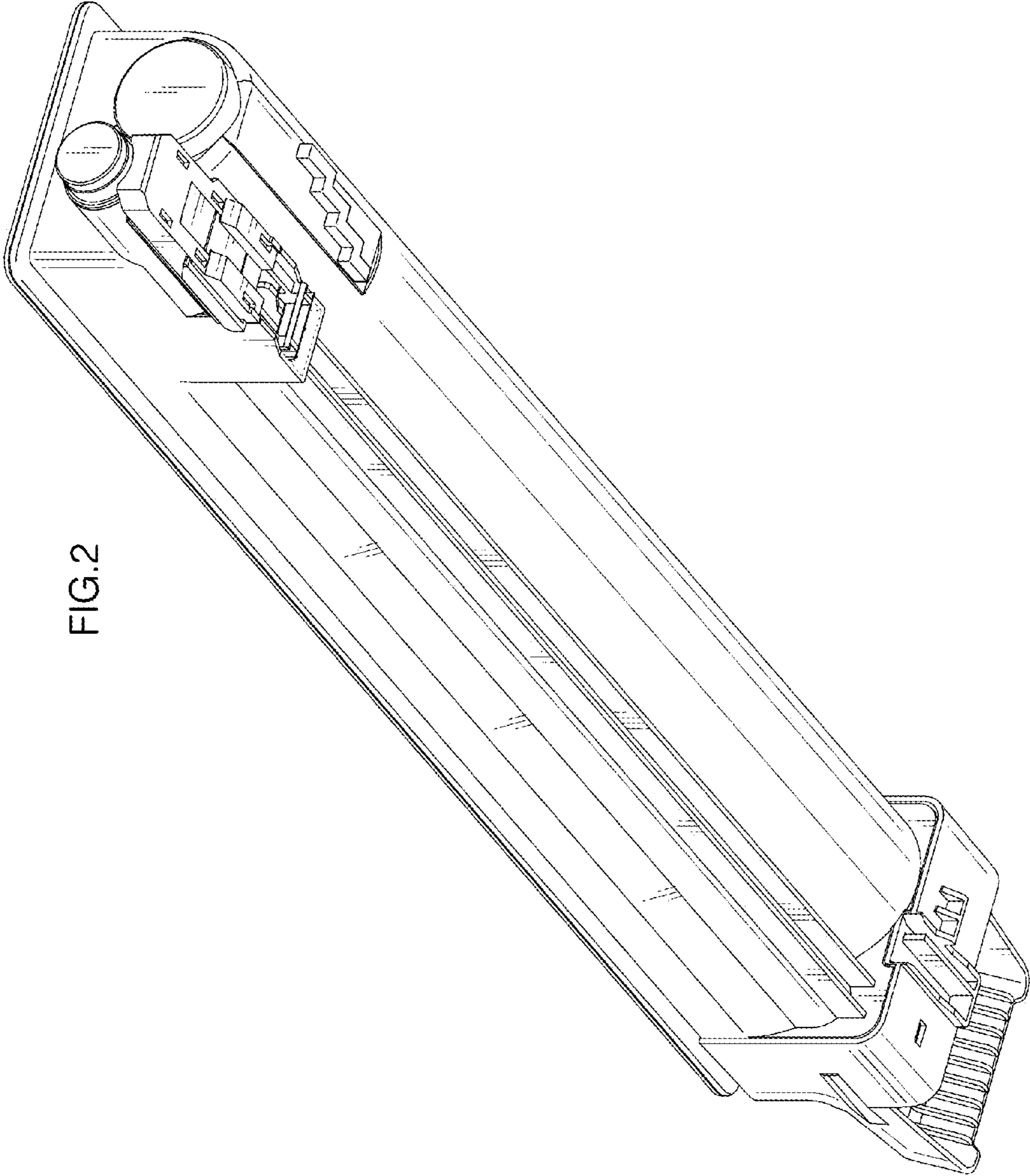


FIG.2

FIG.3

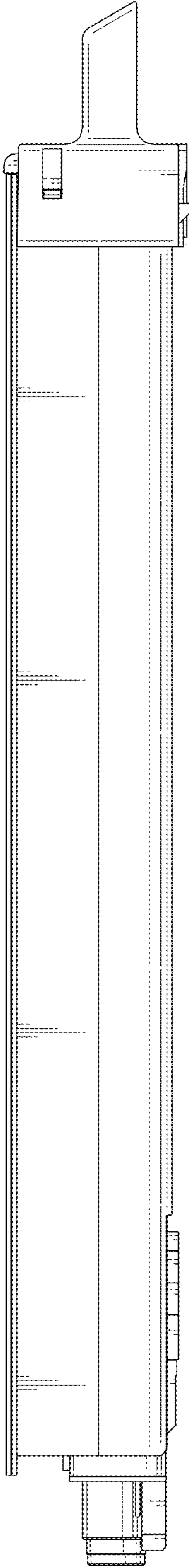


FIG.4

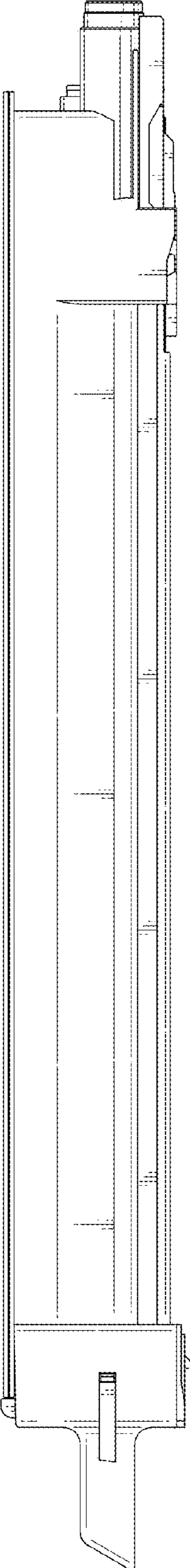


FIG.5

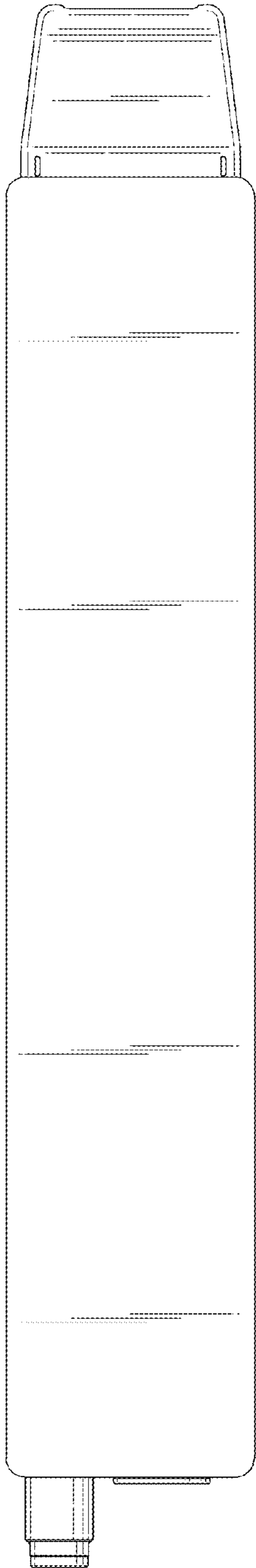


FIG.6

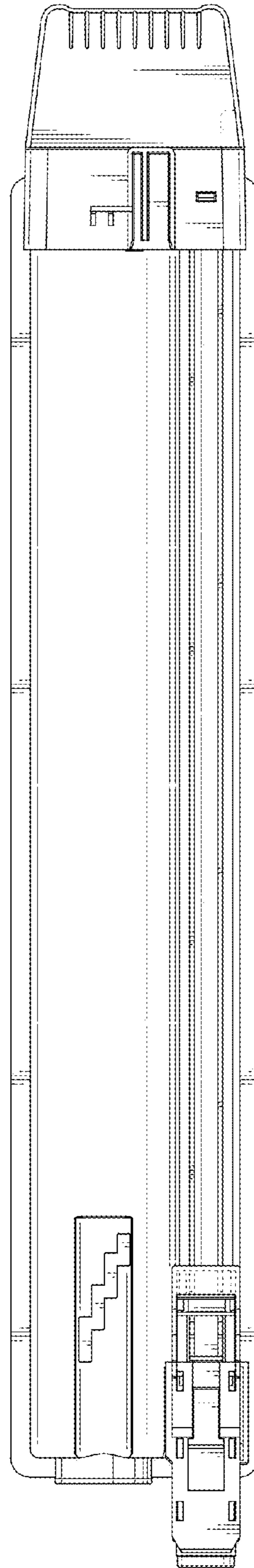


FIG.7

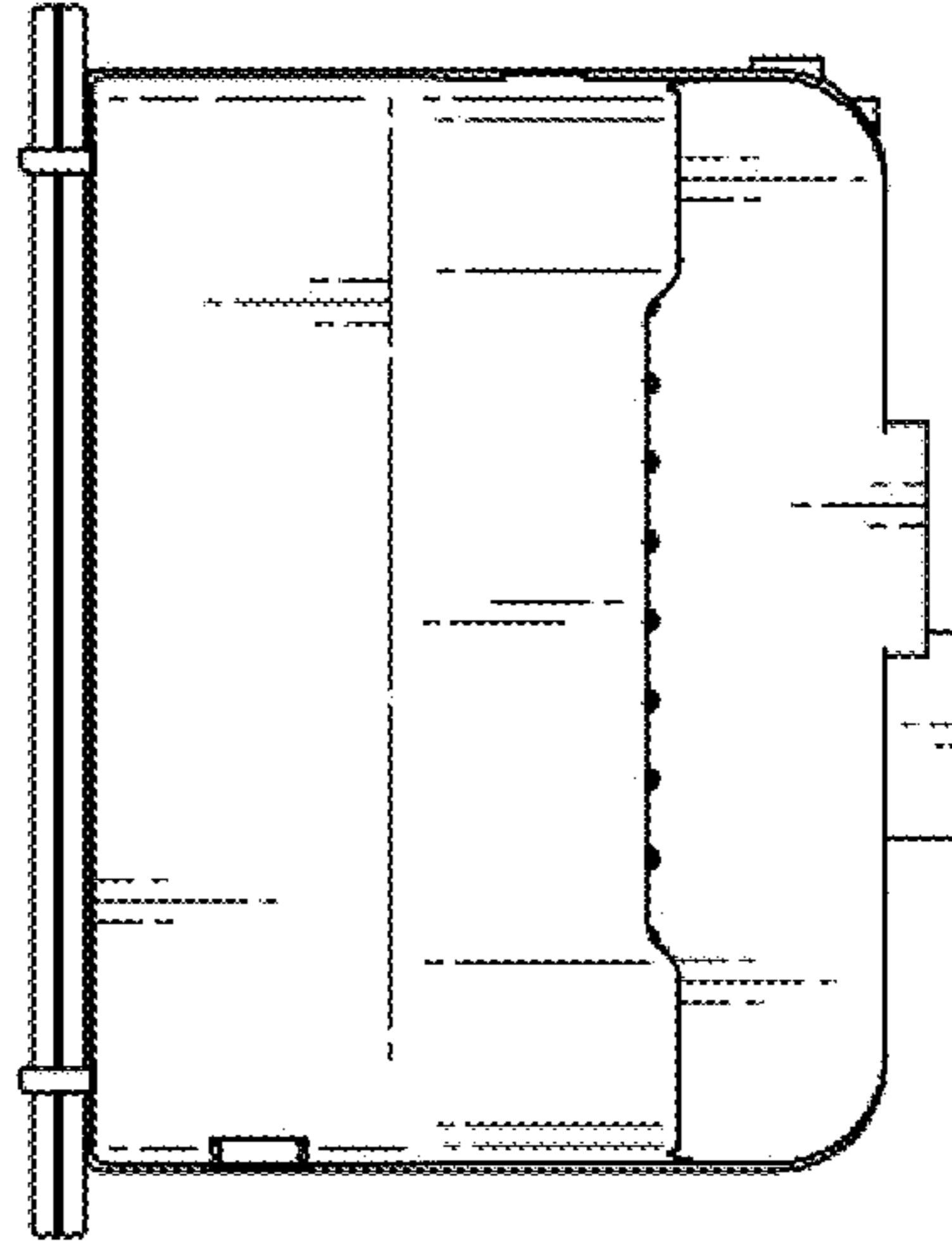


FIG.8

