



US00D679744S

(12) **United States Design Patent**
Hudson

(10) **Patent No.:** **US D679,744 S**

(45) **Date of Patent:** **** Apr. 9, 2013**

(54) **SNARE THROW**

(75) Inventor: **Nick Hudson**, Leicestershire (GB)

(73) Assignee: **Marshall Amplification PLC**,
Buckinghamshire (GB)

(**) Term: **14 Years**

(21) Appl. No.: **29/392,725**

(22) Filed: **May 25, 2011**

(51) **LOC (9) Cl.** **17-04**

(52) **U.S. Cl.** **D17/22**

(58) **Field of Classification Search** D17/22,
D17/99; 84/411 R, 415, 416, 417

See application file for complete search history.

(56) **References Cited**

U.S. PATENT DOCUMENTS

| | | | | |
|-----------|------|---------|----------------|--------|
| 4,158,980 | A | 6/1979 | Gauger | 84/421 |
| D316,423 | S * | 4/1991 | Montineri | D17/22 |
| 5,377,576 | A | 1/1995 | Good et al. | 84/411 |
| 5,520,083 | A | 5/1996 | Falkner, Jr. | 84/421 |
| 5,616,875 | A | 4/1997 | Lombardi | 84/415 |
| 6,093,877 | A * | 7/2000 | Nickel | 84/415 |
| 6,534,698 | B2 * | 3/2003 | Hoshino | 84/415 |
| 6,846,978 | B2 * | 1/2005 | Dorfman et al. | 84/415 |
| D564,012 | S * | 3/2008 | Montineri | D17/22 |
| 7,365,256 | B2 * | 4/2008 | Takegawa | 84/415 |
| D580,477 | S | 11/2008 | Sikra et al. | D17/22 |
| 7,498,501 | B1 * | 3/2009 | Hsieh | 84/415 |
| 7,745,712 | B2 * | 6/2010 | Dunnett | 84/415 |
| 7,977,558 | B2 * | 7/2011 | Nakata et al. | 84/413 |
| 8,017,846 | B2 * | 9/2011 | Miyajima | 84/415 |
| 8,163,988 | B2 * | 4/2012 | Holl et al. | 84/415 |

OTHER PUBLICATIONS

File history for U.S. Trademark registration No. 2,150,216, publicly available before Oct. 16, 2010.

U.S. Appl. No. 29/392,722, filed May 25, 2011.

U.S. Trademark Registration No. 2,150,216, registered Apr. 14, 1998.

Early 1970s Camco Aristocrat Snare Drum. Retrieved from the Internet: <URL: http://www.classicvintagedrums.com/index.php?main_page=product_info&cPath=66_111&products_id=627> Publicly available before May 25, 2010.

Dixon Wooden Snare Drum. Retrieved from the Internet: <URL: <http://www.italmelodie.com/?section=item&itemID=148>>. Publicly available before May 25, 2010.

Mapex Drum. Retrieved from the Internet: <URL: <http://www.musicgearreview.com/article-display/1031.html>>. Publicly available before May 25, 2010.

Premier Genista Snare Drum. Retrieved from the Internet: <URL: <http://www.vintageolympic.co.uk/images/mysteries/Rare%20BSP%20Genista%20snare.jpg>>. Publicly available before May 25, 2010.

DW Drums Collector's Series. Retrieved from the Internet: <URL: <http://www.dwdrums.com/drums/collectors/>>. Publicly available before May 25, 2010.

* cited by examiner

Primary Examiner — Ian Simmons

Assistant Examiner — Carissa C Fitts

(74) *Attorney, Agent, or Firm* — Marshall, Gerstein & Borun LLP

(57) **CLAIM**

The ornamental design for a snare throw, as shown and described.

DESCRIPTION

FIG. 1 is a front and right side perspective view showing a our new design for a snare throw;

FIG. 2 is a rear, top and right side perspective view of the snare throw of FIG. 1;

FIG. 3 is a top plan view of the snare throw of FIG. 1;

FIG. 4 is a front view of the snare throw of FIG. 1;

FIG. 5 is a bottom plan view of the snare throw of FIG. 1; and,

FIG. 6 is a side view of the snare throw opposite side being a mirror view of FIG. 1.

1 Claim, 2 Drawing Sheets

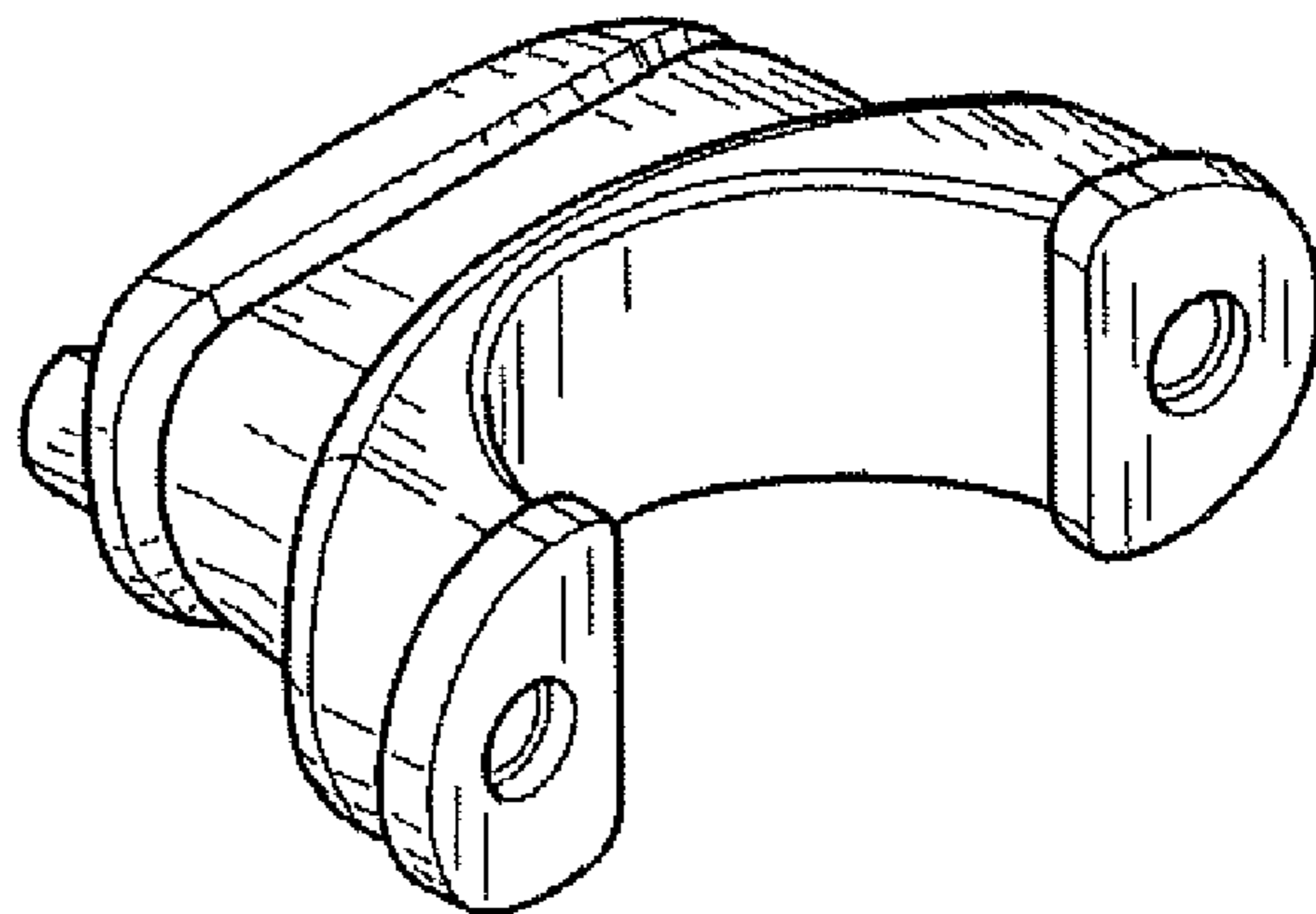
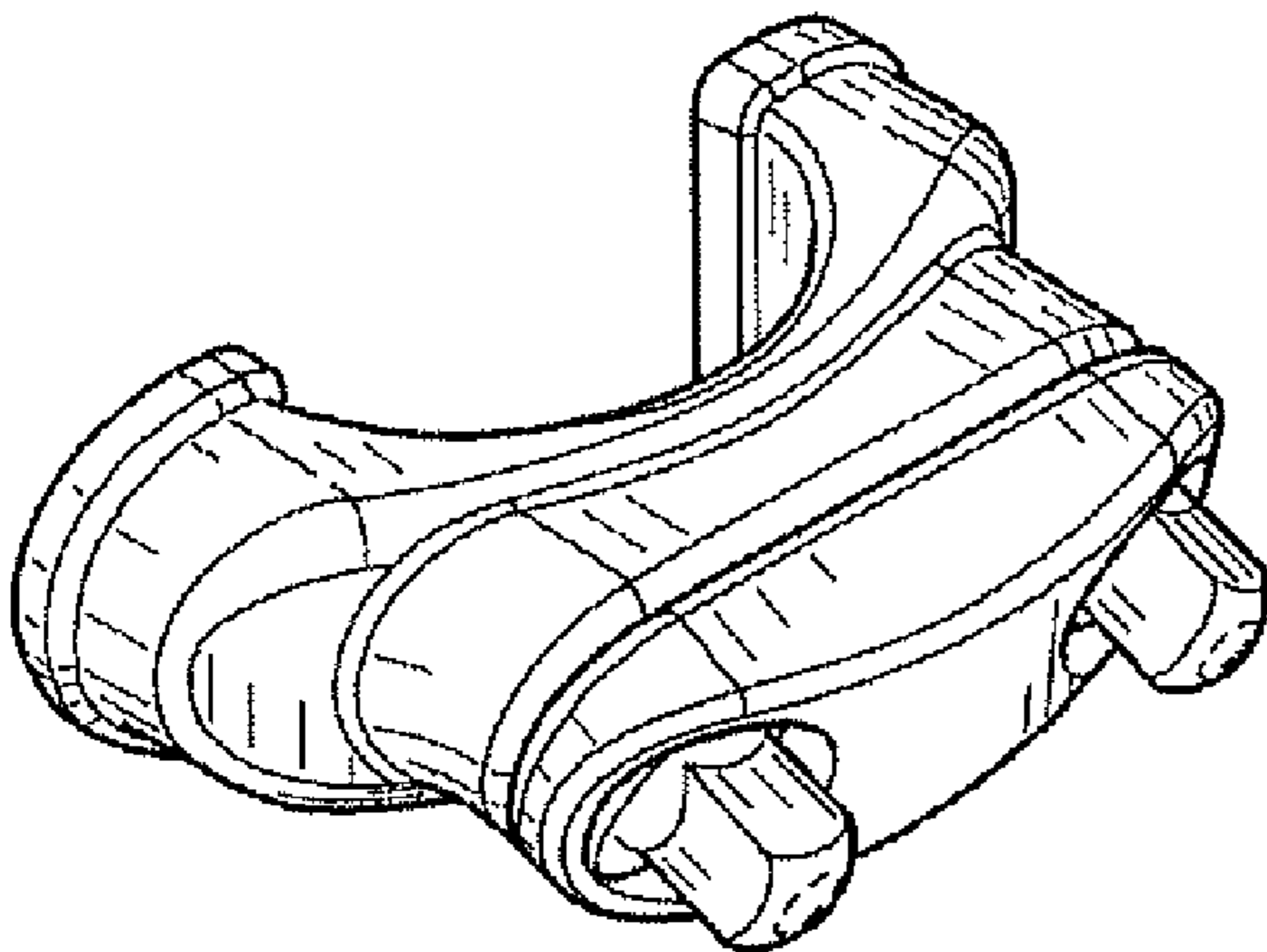


Fig. 1

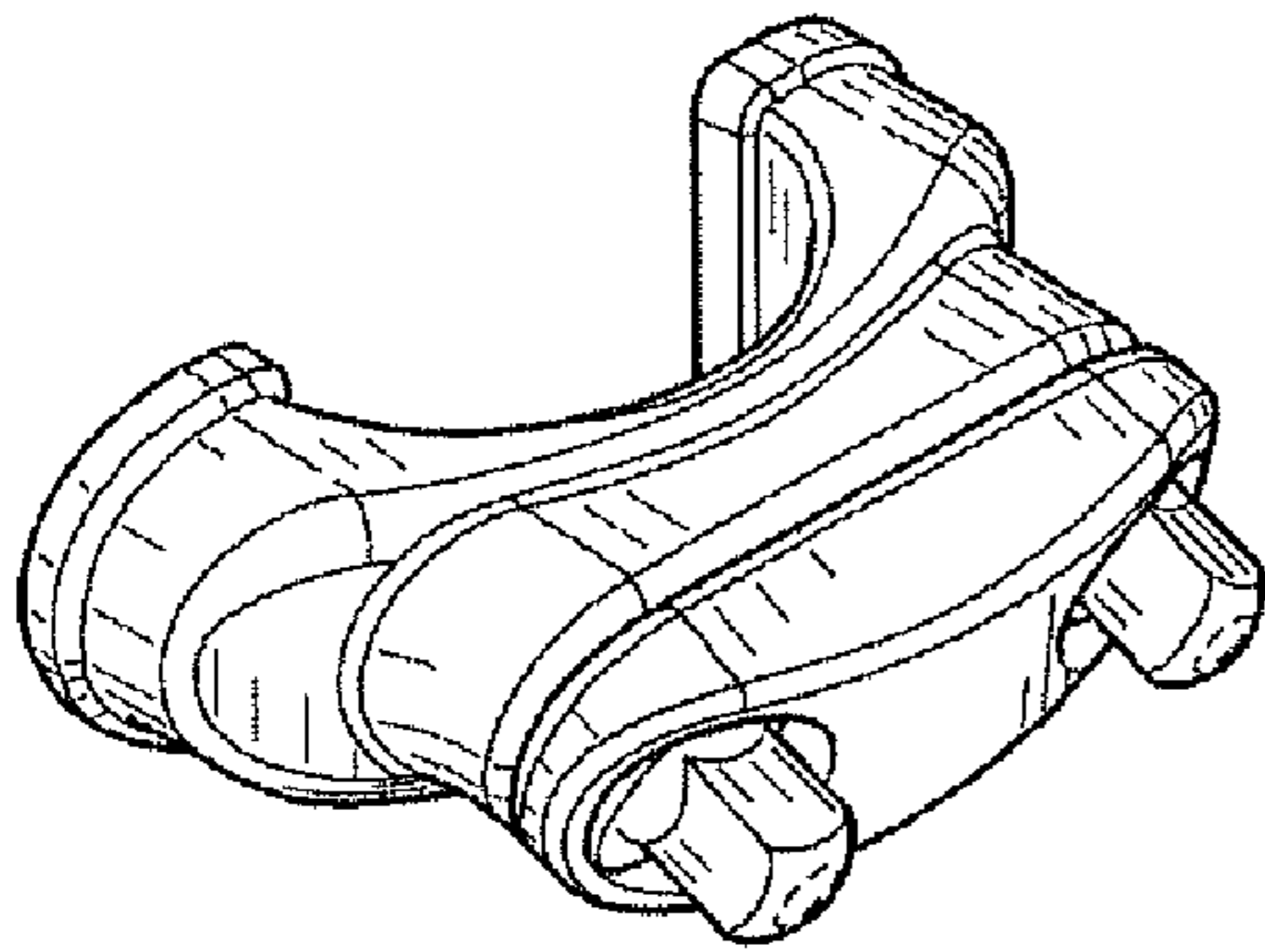


Fig. 2

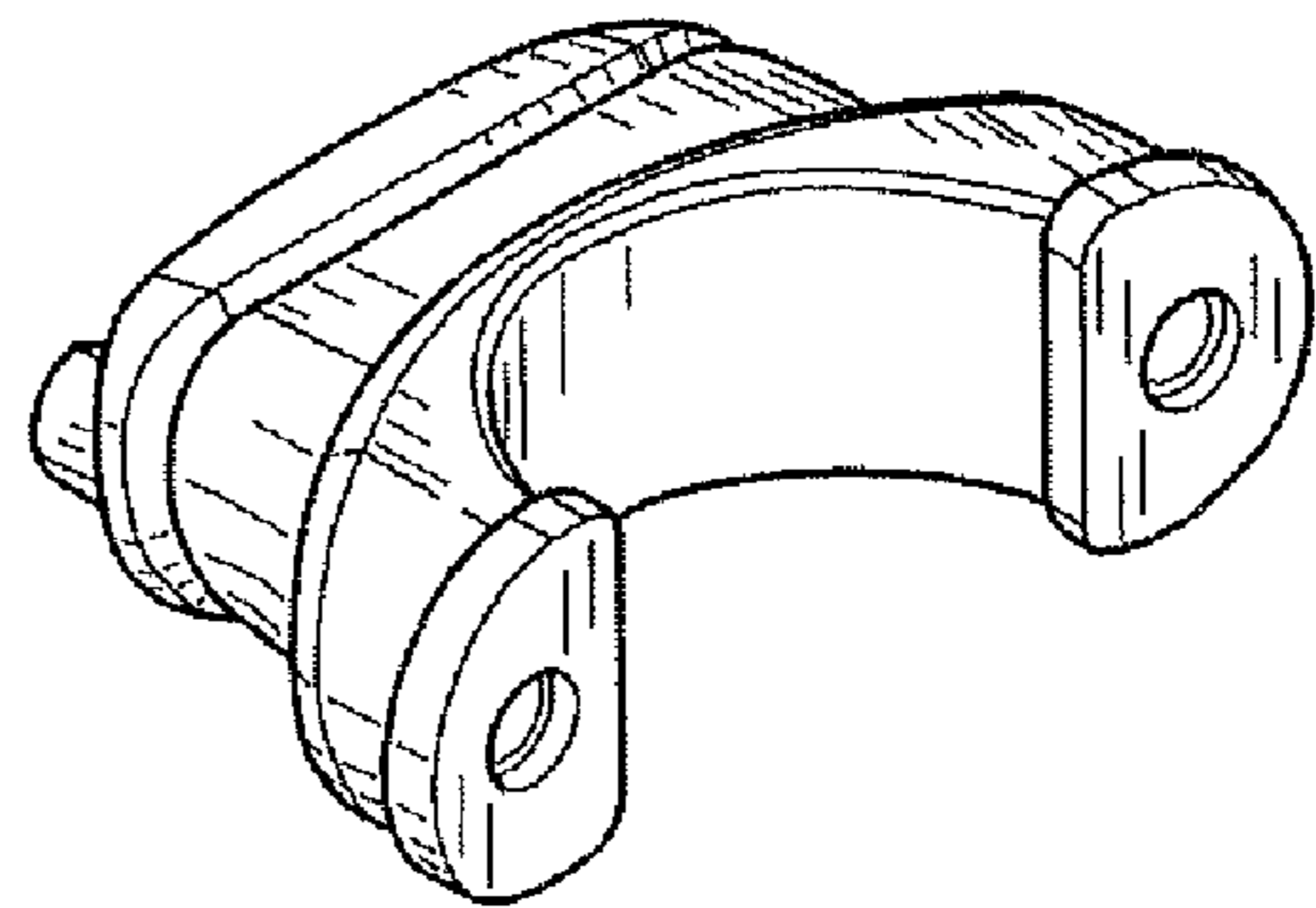


Fig. 3

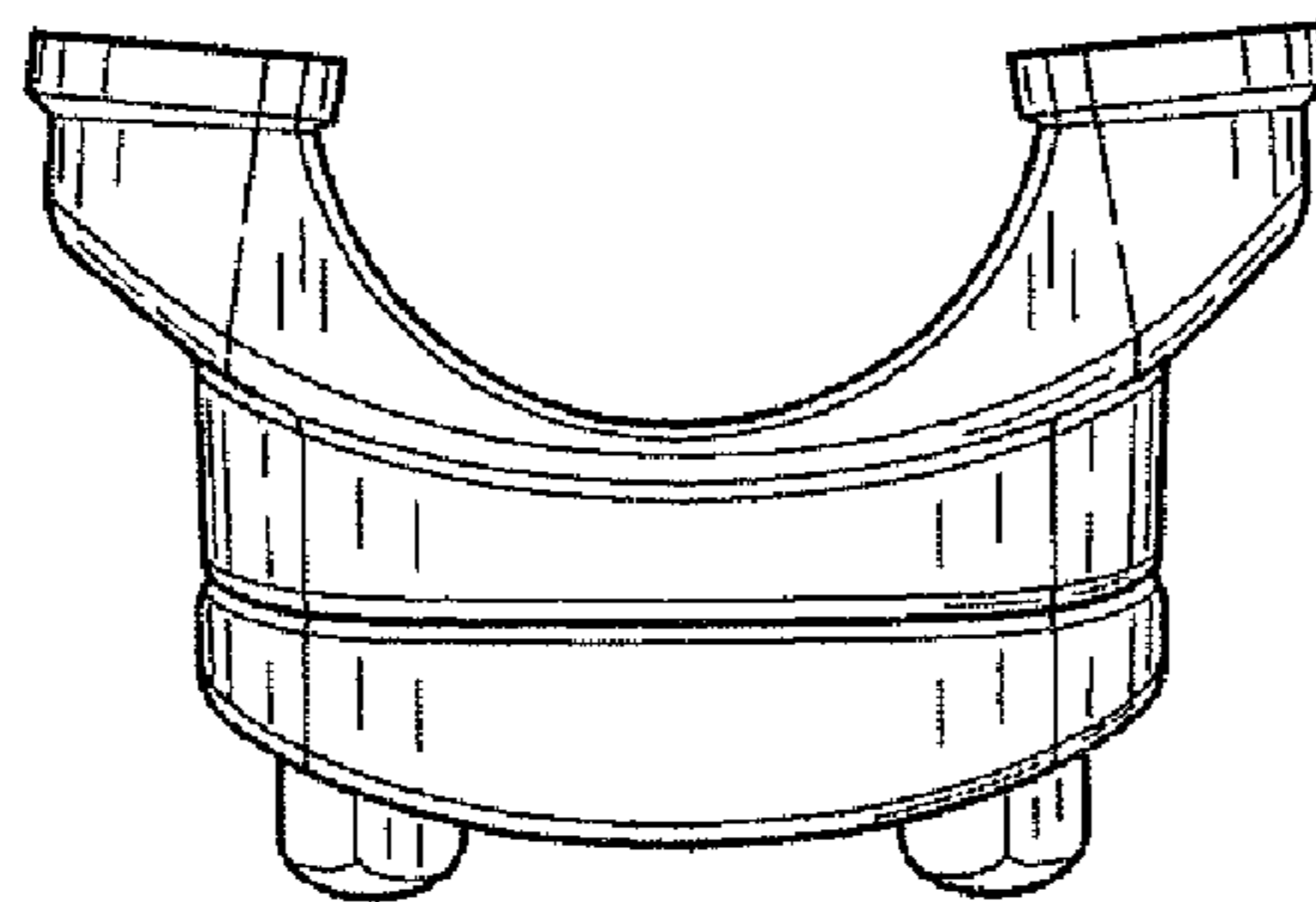


Fig. 4

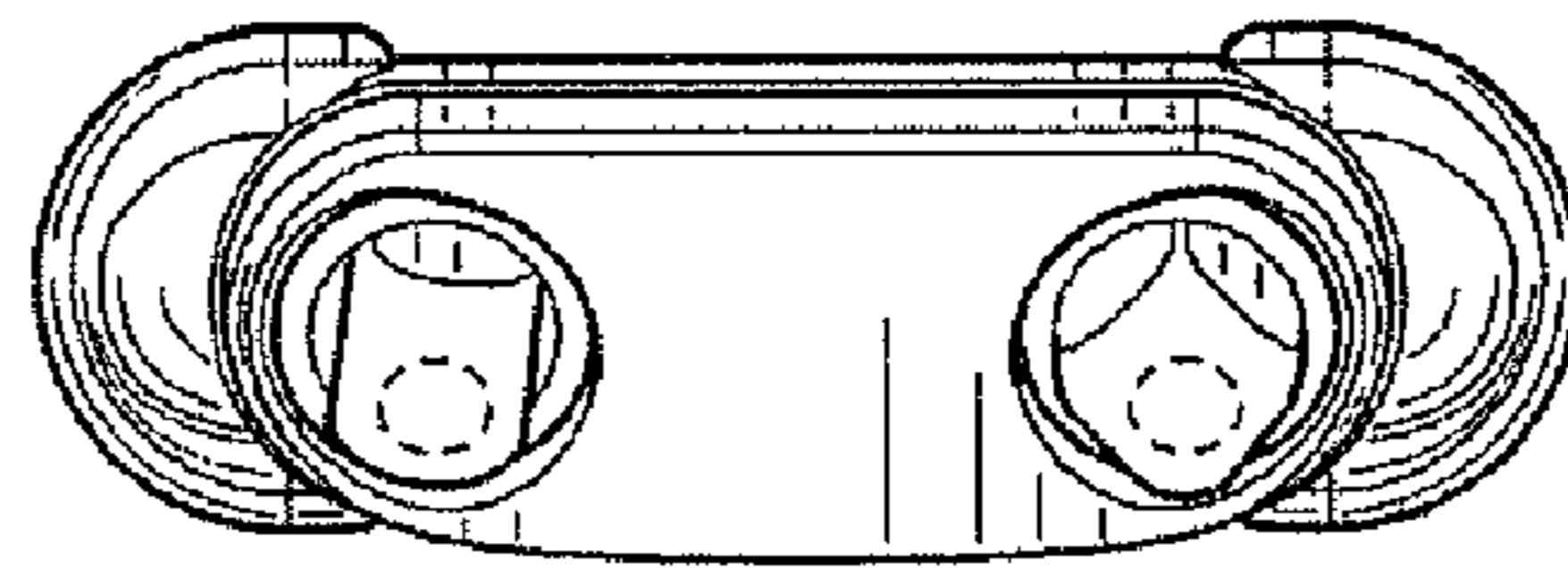


Fig. 5

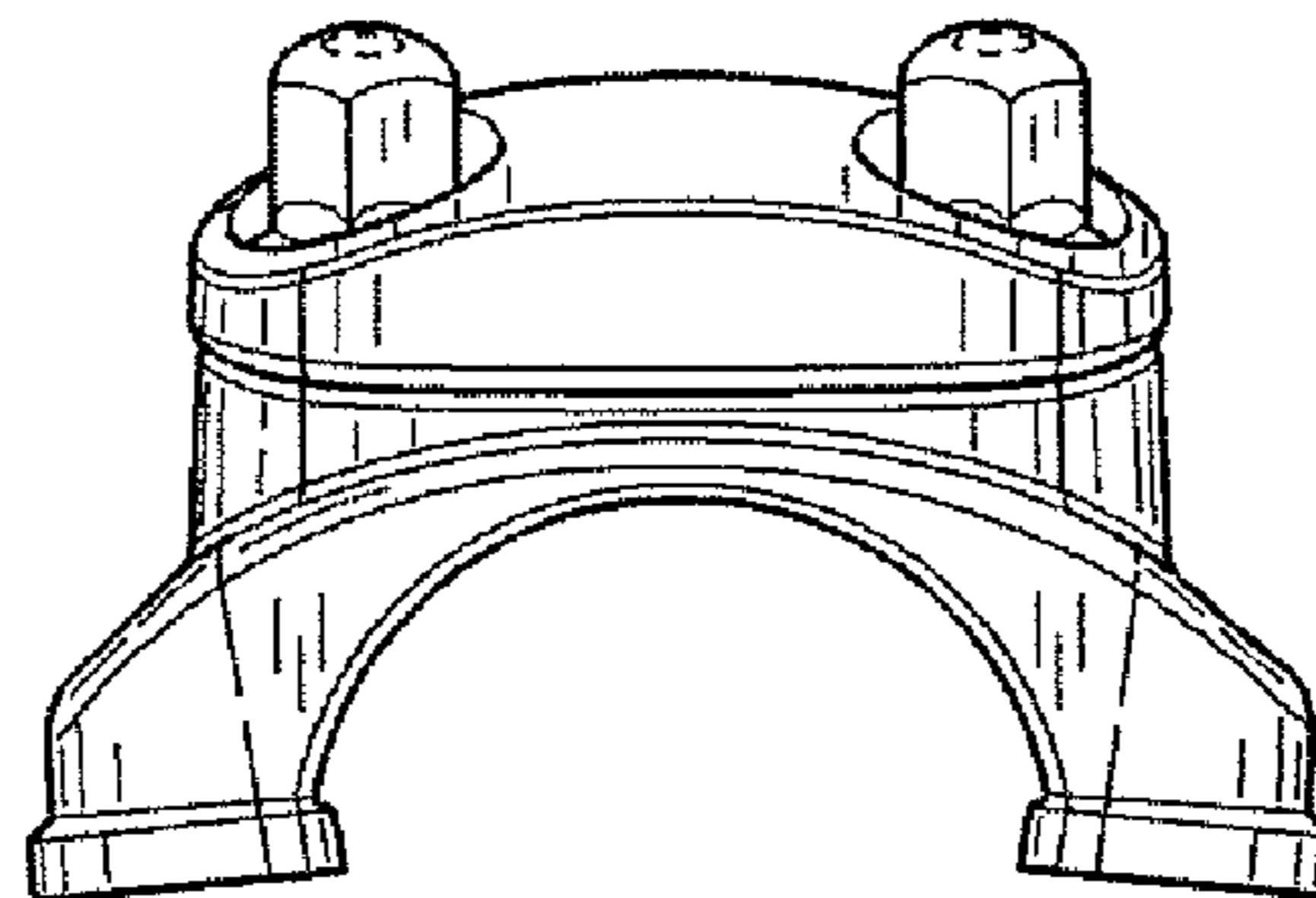


Fig. 6

