



US00D679739S

(12) **United States Design Patent**
Crutchley et al.

(10) **Patent No.:** **US D679,739 S**

(45) **Date of Patent:** **** Apr. 9, 2013**

(54) **LAMINATOR**

(75) Inventors: **Shaelyn D. Crutchley**, St. Paul, MN (US); **Gerald E. Mueller**, Eagan, MN (US); **Valentina Tronconi**, Milan (IT); **Lorenzo Ruggieri**, Milan (IT); **Nicolas A. Echeverri**, Woodbury, MN (US); **Antonio Pugliese**, Pomigliano D'Arco (IT); **Daniela Amandolese**, Genoa (IT)

(73) Assignee: **3M Innovative Properties Company**, St. Paul, MN (US)

(**) Term: **14 Years**

(21) Appl. No.: **29/424,301**

(22) Filed: **Jun. 11, 2012**

(51) **LOC (9) Cl.** **15-09**

(52) **U.S. Cl.** **D15/146**

(58) **Field of Classification Search** D15/145, D15/146; D18/50, 51, 53; 100/155 R, 160, 100/176, 555, 560, 582, 583.1

See application file for complete search history.

(56) **References Cited**

U.S. PATENT DOCUMENTS

3,597,587 A 8/1971 Baum
D389,847 S 1/1998 Huang
D443,883 S 6/2001 Reuter
D453,171 S 1/2002 Cheng

6,994,142 B2 2/2006 Murphy
D534,192 S 12/2006 Kiple
D544,508 S 6/2007 Beno
D602,966 S 10/2009 Kiple
D667,858 S * 9/2012 Crutchley et al. D15/146
2006/0151120 A1 7/2006 Matlin

* cited by examiner

Primary Examiner — Patricia Palasik

(74) *Attorney, Agent, or Firm* — Irina Hass

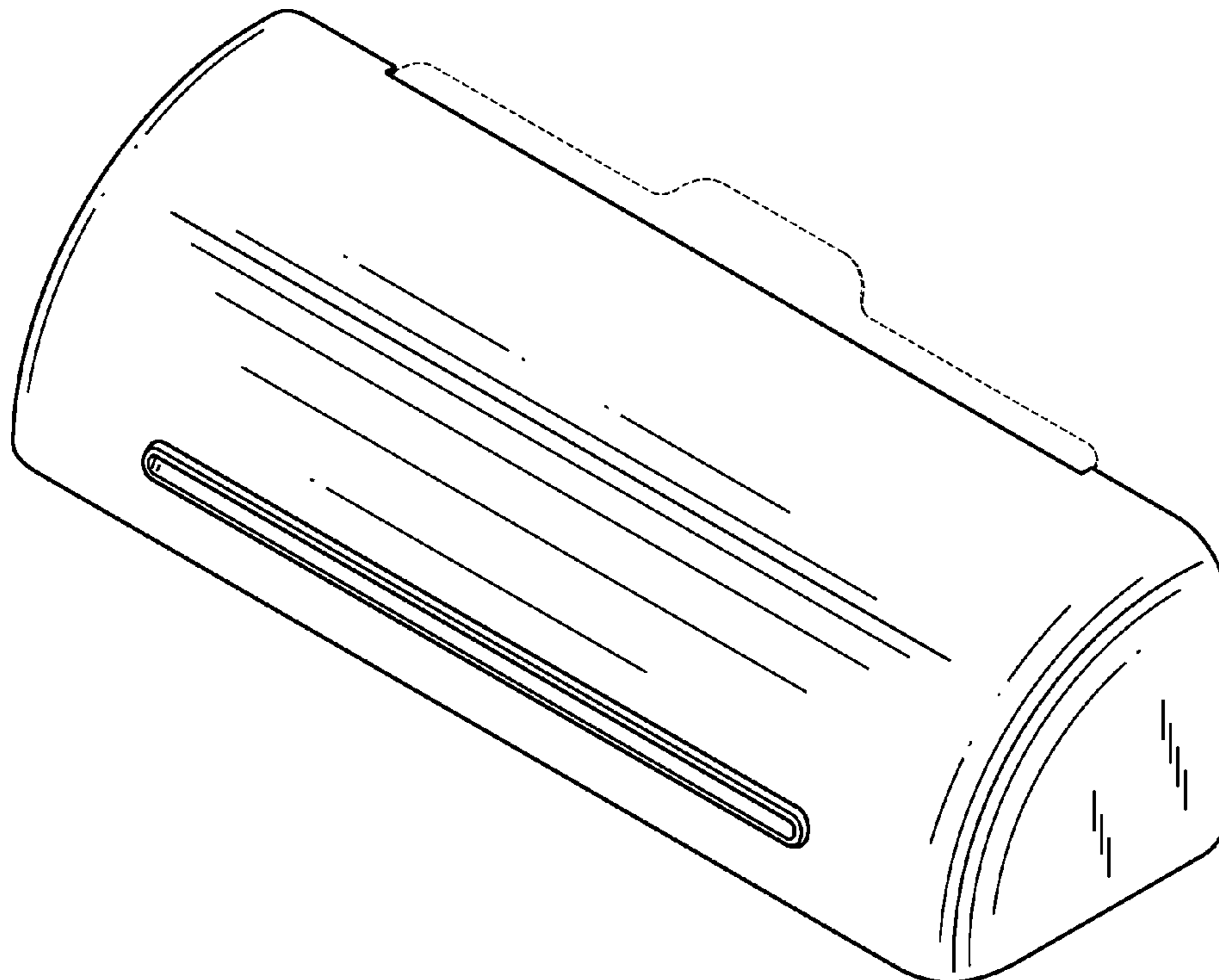
(57) **CLAIM**

The ornamental design for a laminator, as shown and described.

DESCRIPTION

FIG. 1 is a perspective view showing the new design for a laminator;
FIG. 2 is a front view thereof;
FIG. 3 is a top view thereof;
FIG. 4 is a rear view thereof;
FIG. 5 is a bottom view thereof;
FIG. 6 is a left side view thereof, a right side view being a mirror image thereof; and,
FIG. 7 is a cross-sectional view taken along line 7-7 of FIG. 4.
The broken lines in the drawings are shown for illustrative purposes only and form no part of the claimed design. In addition, the surface shading illustrated in the drawings is provided merely to highlight the contour of design; it is not intended to be illustrative of texture or gloss.

1 Claim, 3 Drawing Sheets



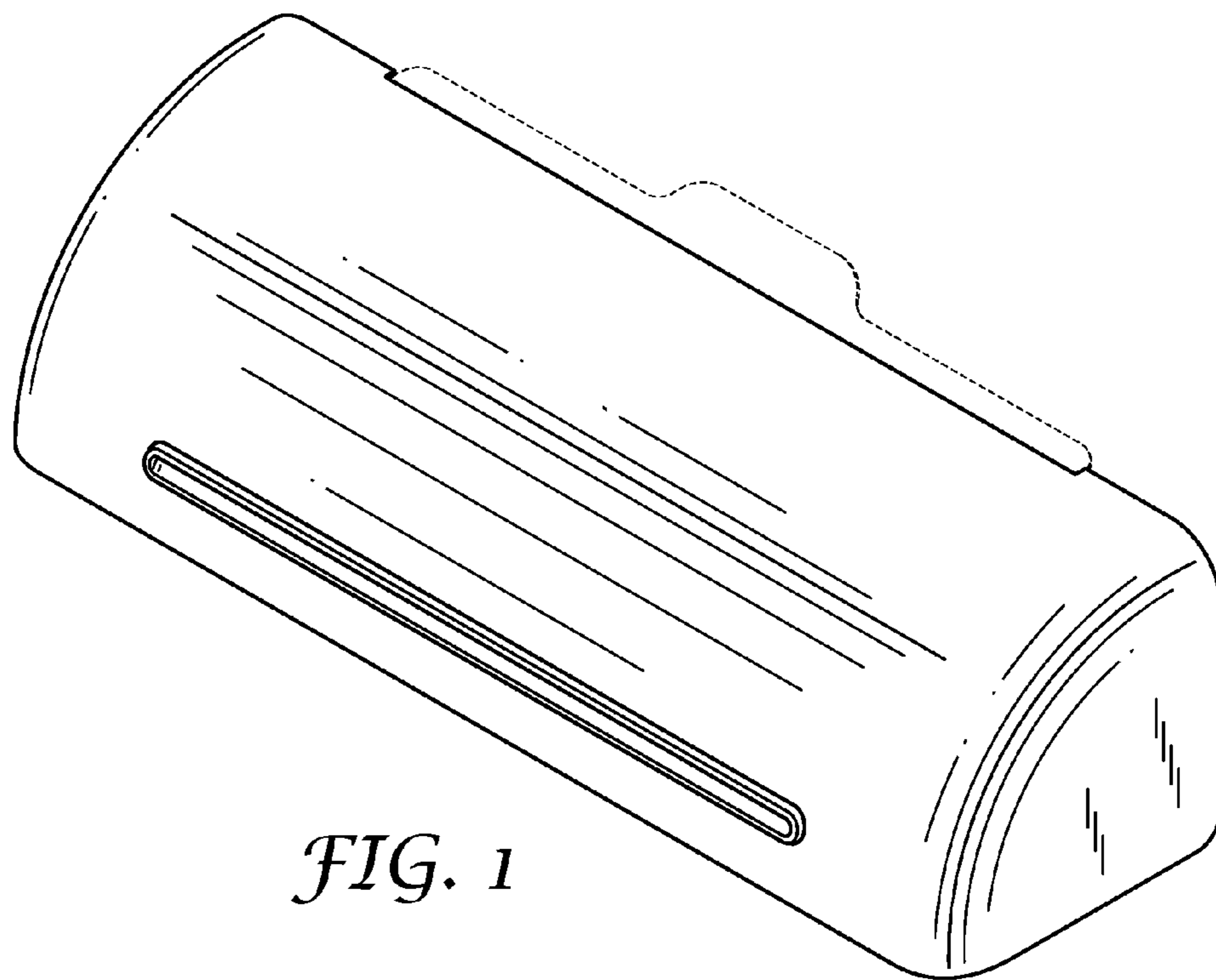


FIG. 1

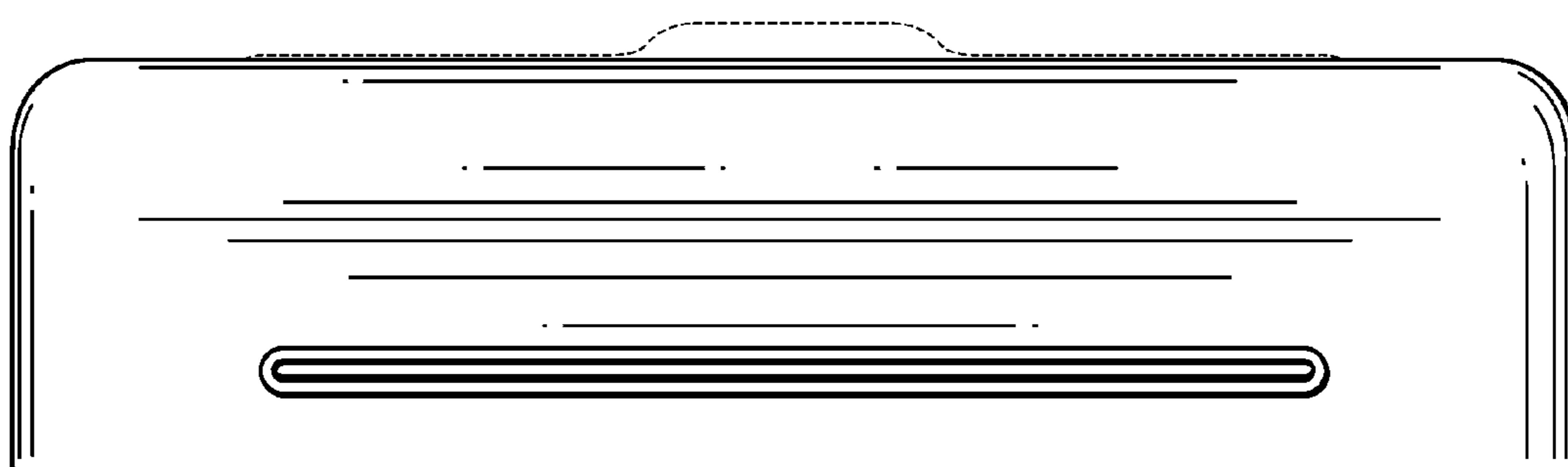


FIG. 2

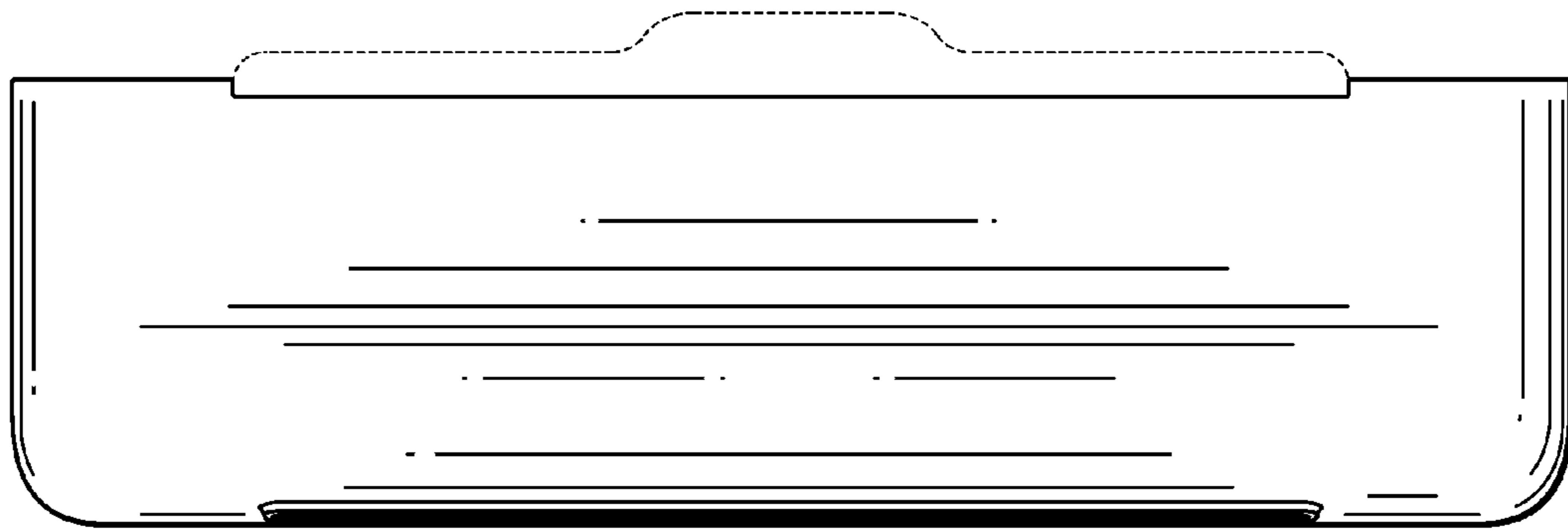


FIG. 3

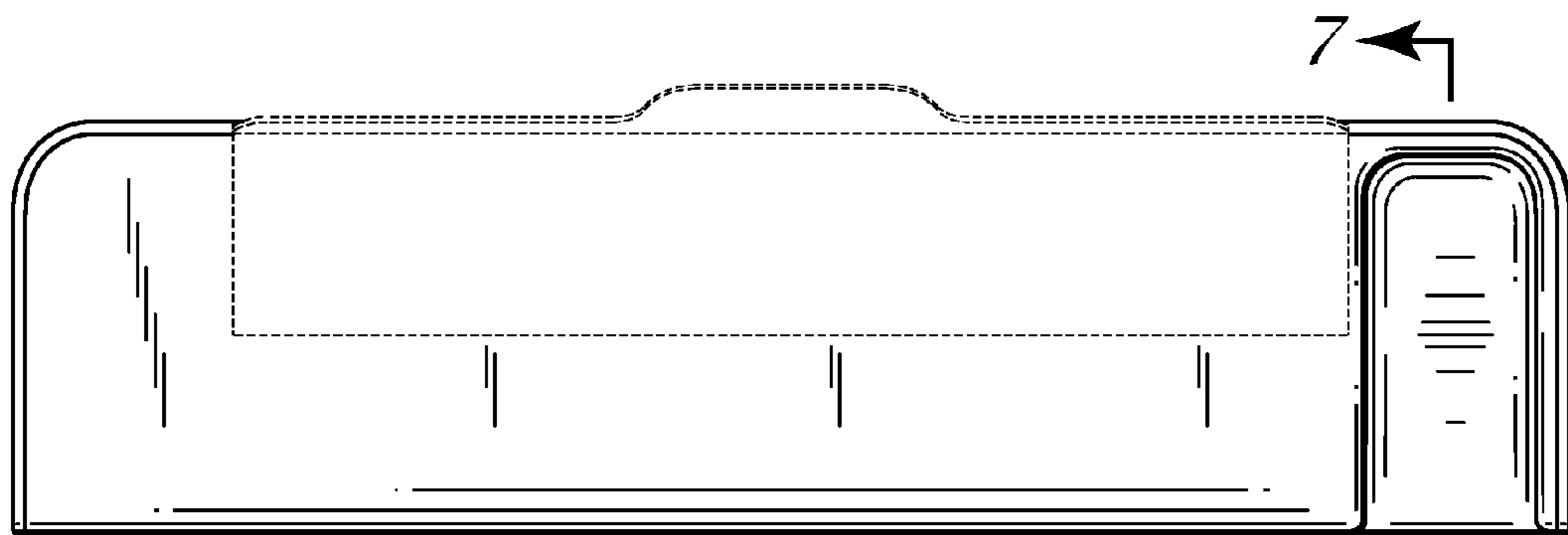


FIG. 4

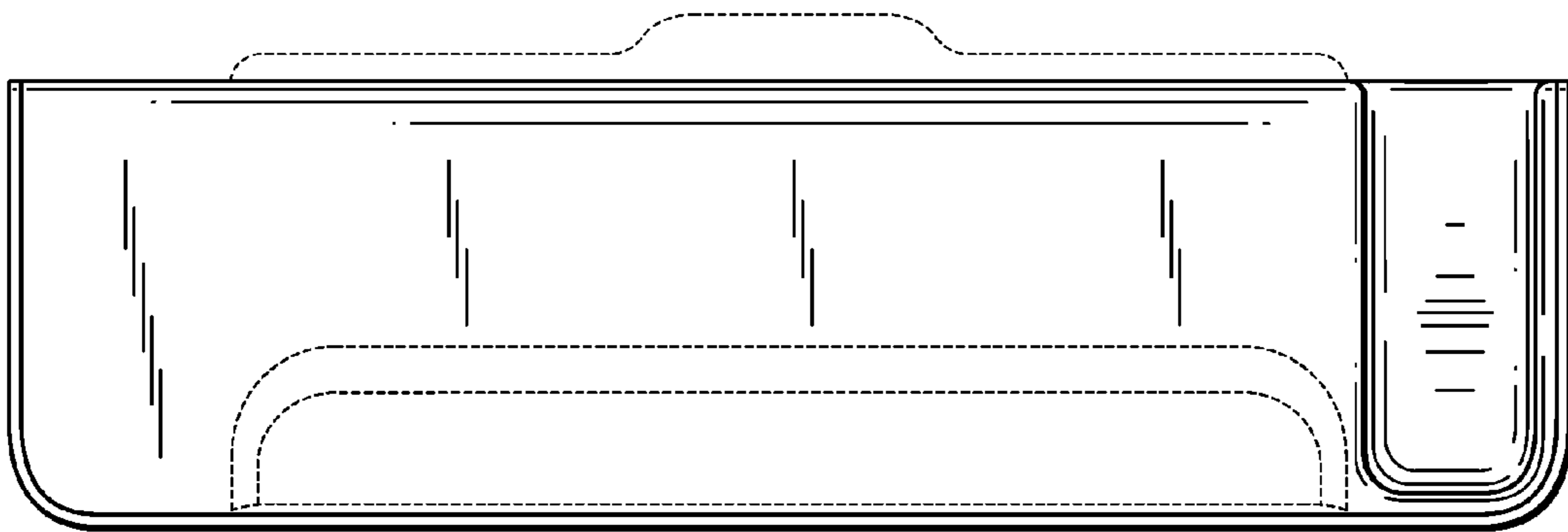


FIG. 5

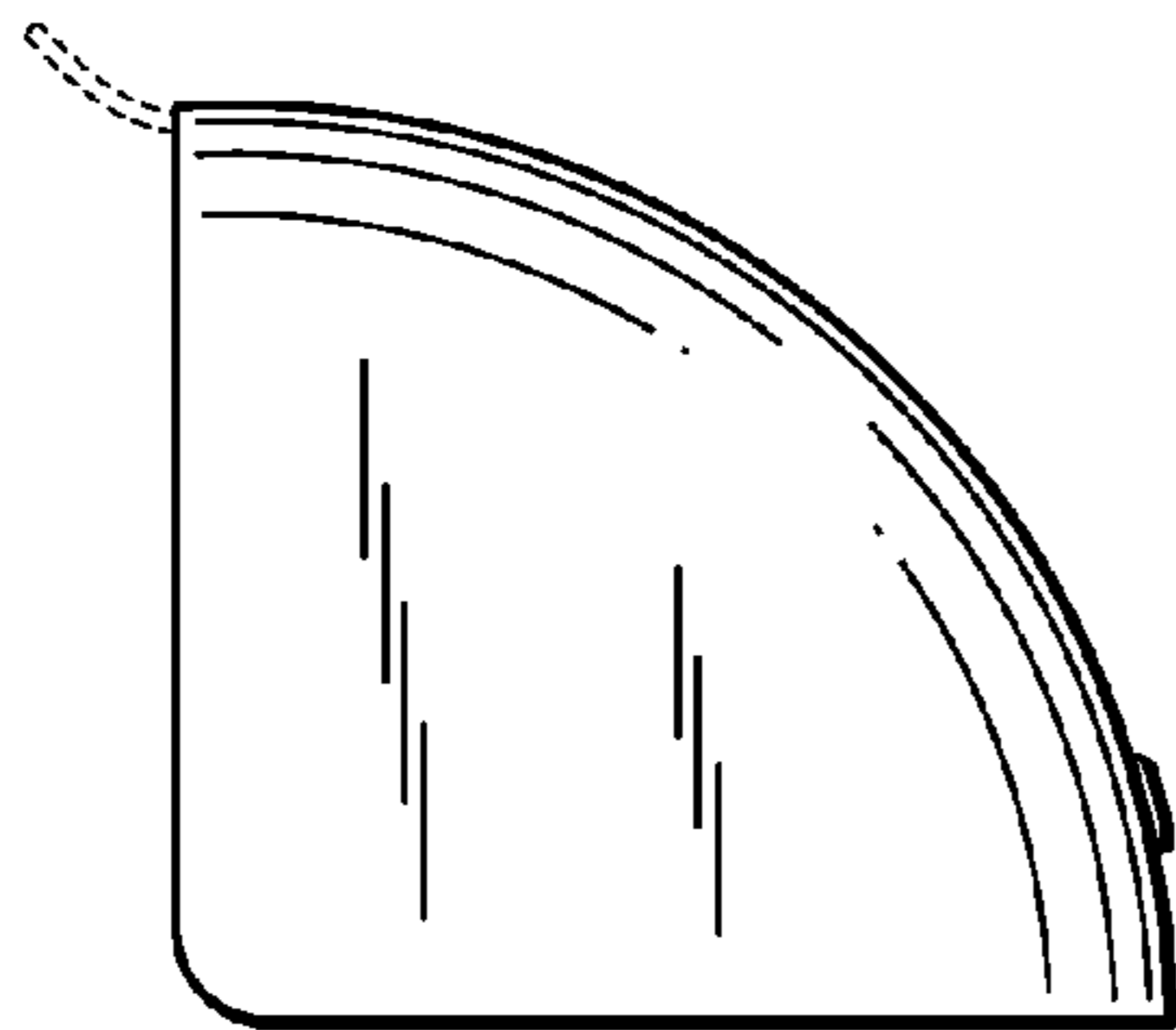


FIG. 6

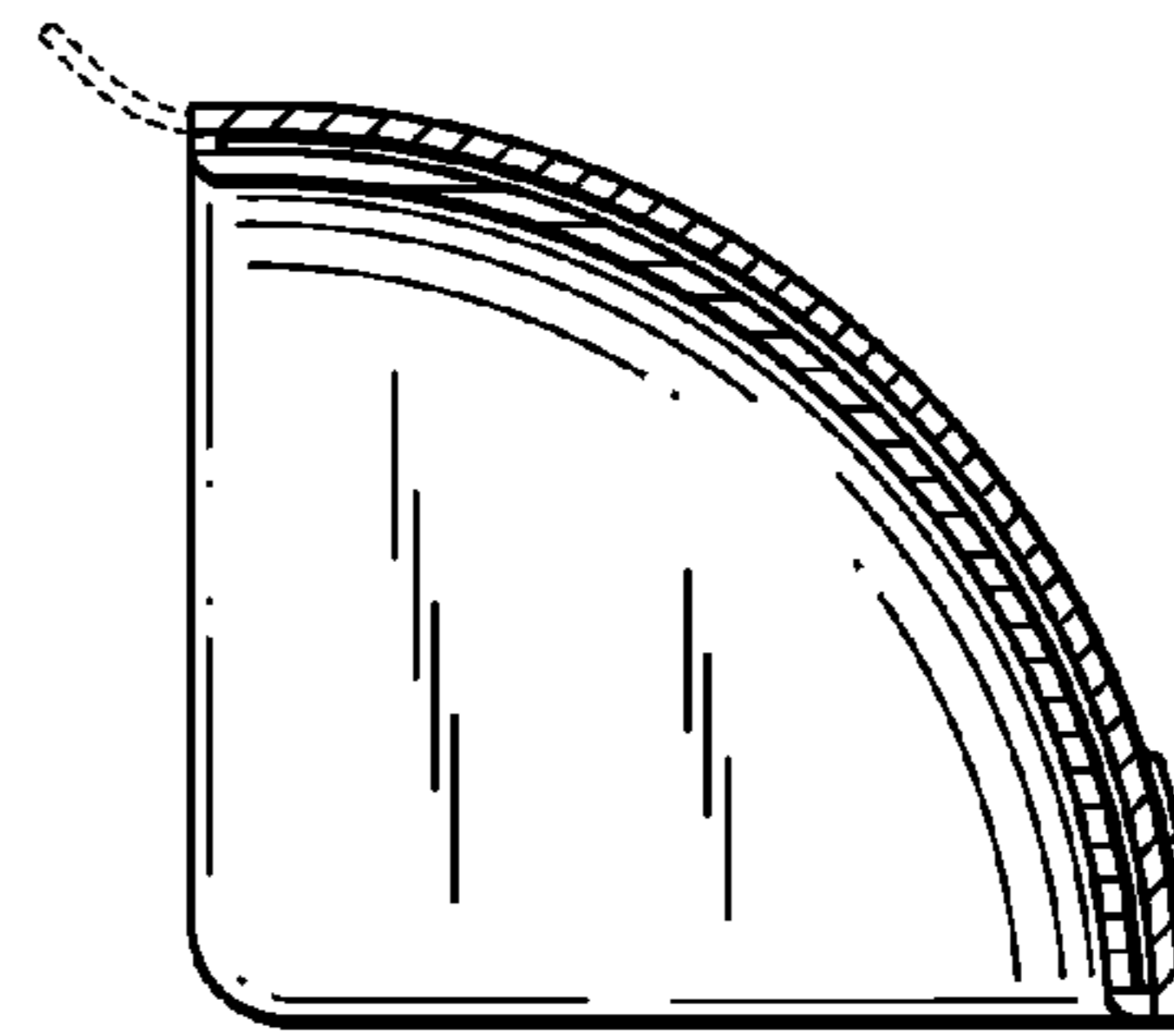


FIG. 7