



US00D679738S

(12) **United States Design Patent**
Segala

(10) **Patent No.:** **US D679,738 S**
(45) **Date of Patent:** **** Apr. 9, 2013**

- (54) **WELDING MACHINE**
- (71) Applicant: **Segala Bruno S.R.L.**, Sandrigo (IT)
- (72) Inventor: **Bruno Segala**, Sandrigo (IT)
- (73) Assignee: **Segala Bruno S.R.L.** (IT)
- (**) Term: **14 Years**
- (21) Appl. No.: **29/432,698**
- (22) Filed: **Sep. 19, 2012**

- D569,884 S * 5/2008 Shu D15/144
- D626,576 S * 11/2010 Gramatyka et al. D15/144
- D654,519 S * 2/2012 Wujczak et al. D15/144
- D665,833 S * 8/2012 Raymond et al. D15/144
- 2004/0178183 A1* 9/2004 Cigelske, Jr. 219/130.1
- 2004/0226930 A1* 11/2004 Radtke 219/130.1

* cited by examiner

Primary Examiner — Patricia Palasik
(74) *Attorney, Agent, or Firm* — Cantor Colburn LLP

(30) **Foreign Application Priority Data**

Mar. 21, 2012 (EM) 002012203

- (51) **LOC (9) Cl.** **15-09**
- (52) **U.S. Cl.** **D15/144**
- (58) **Field of Classification Search** D8/29.1,
D8/30; D13/123, 133; D15/144, 144.1,
D15/144.2; 219/125.1, 130, 130.5, 132,
219/133, 241, 424, 606; 222/146.5, 152,
222/156, 189.06, 397; 228/8, 20, 51, 111.5
See application file for complete search history.

(56) **References Cited**

U.S. PATENT DOCUMENTS

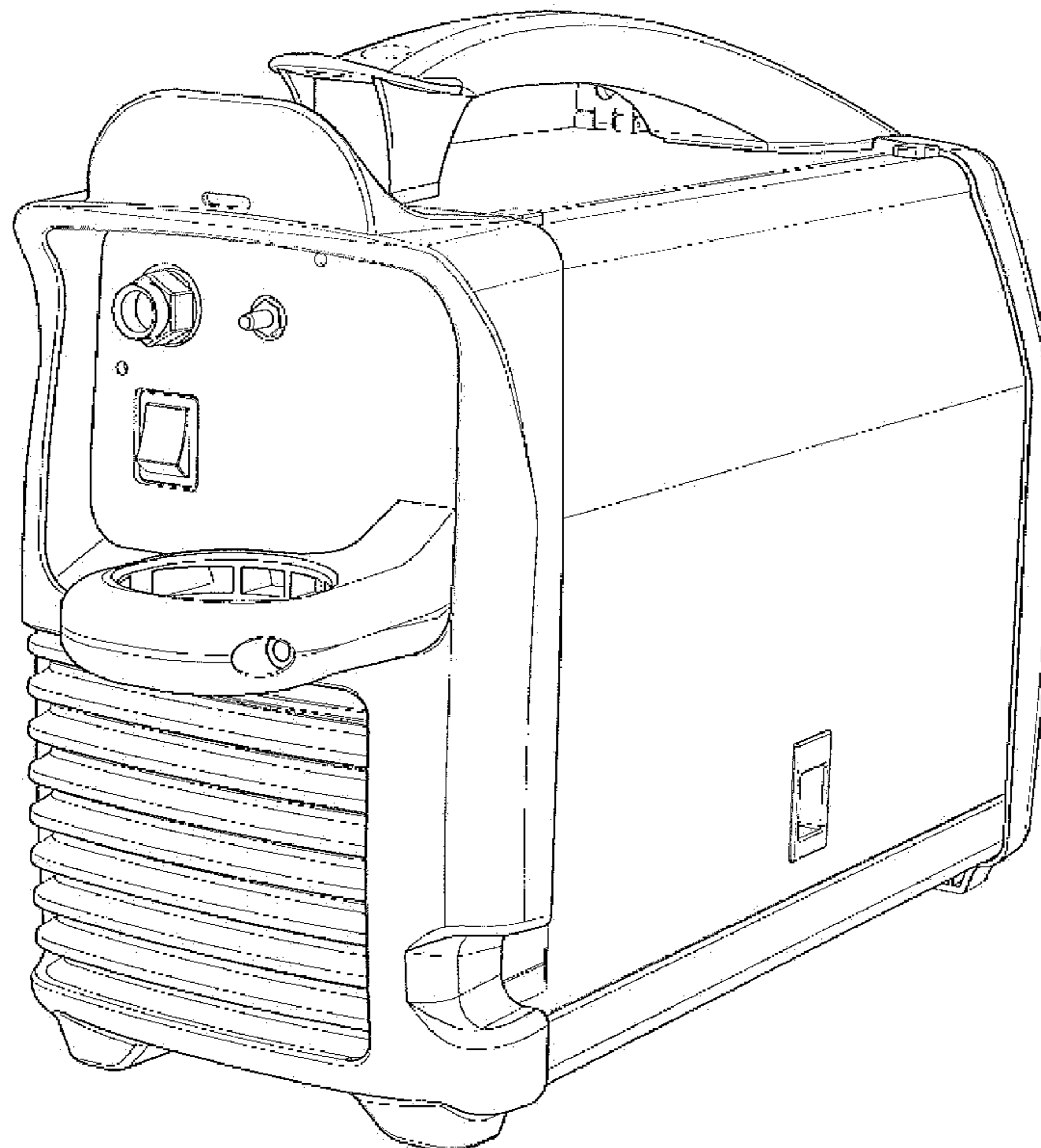
- D357,927 S * 5/1995 Soderholm D15/144.1
- D386,148 S * 11/1997 Katooka et al. D13/110
- D520,038 S * 5/2006 Ljungfeldt D15/144.1

(57) **CLAIM**
The ornamental design for a welding machine, as shown and described.

DESCRIPTION

FIG. 1 is a perspective view of a welding machine showing my new design;
FIG. 2 is a front view thereof;
FIG. 3 is a rear view thereof;
FIG. 4 is a left side view thereof;
FIG. 5 is a right side view thereof;
FIG. 6 is a top view thereof;
FIG. 7 is a bottom view thereof;
FIG. 8 is a further perspective view thereof;
FIG. 9 is a further perspective view thereof; and,
FIG. 10 is a further perspective view thereof.
The broken lines in the drawings depict unclaimed environmental subject matter.

1 Claim, 10 Drawing Sheets



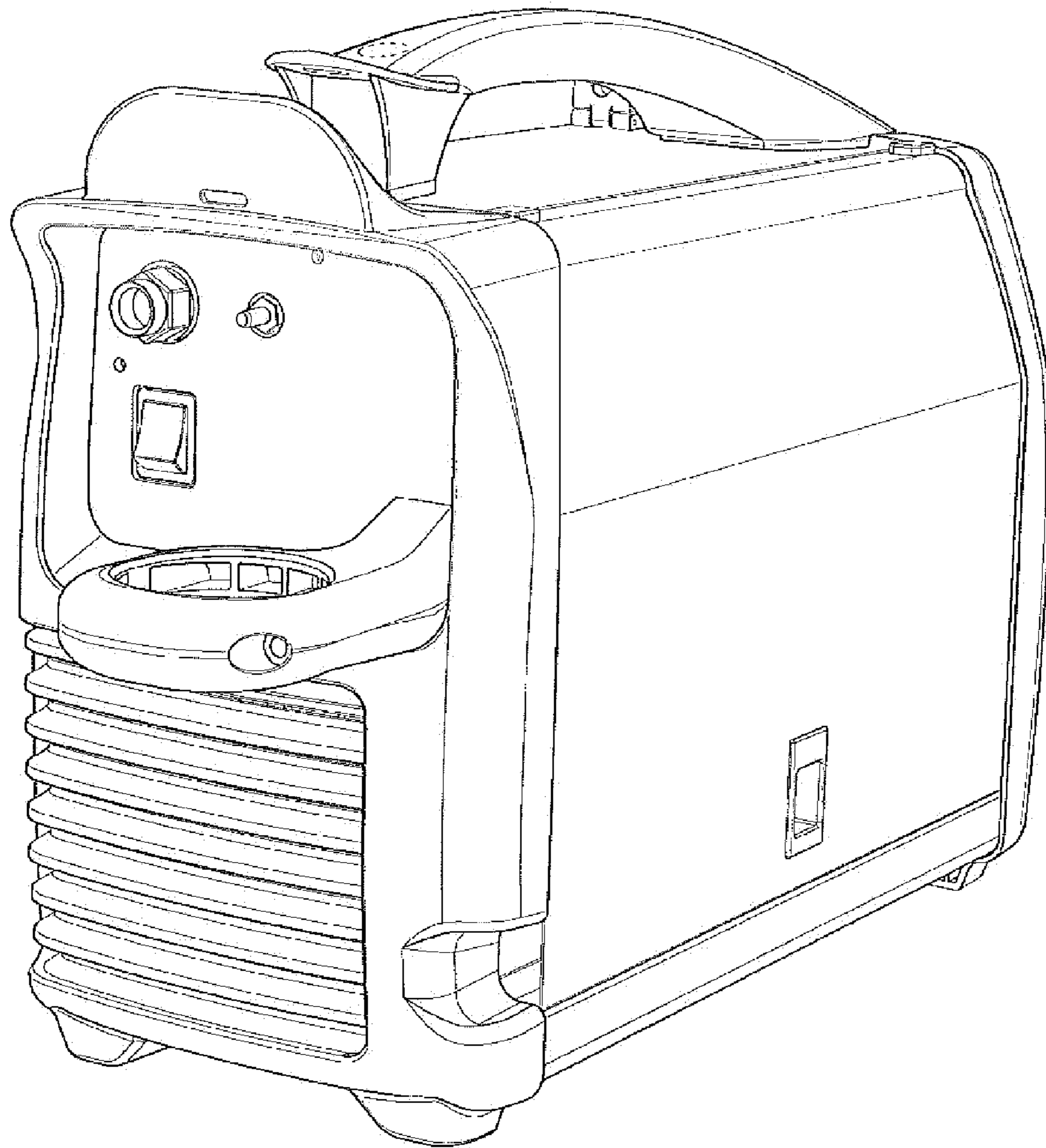


Fig. 1

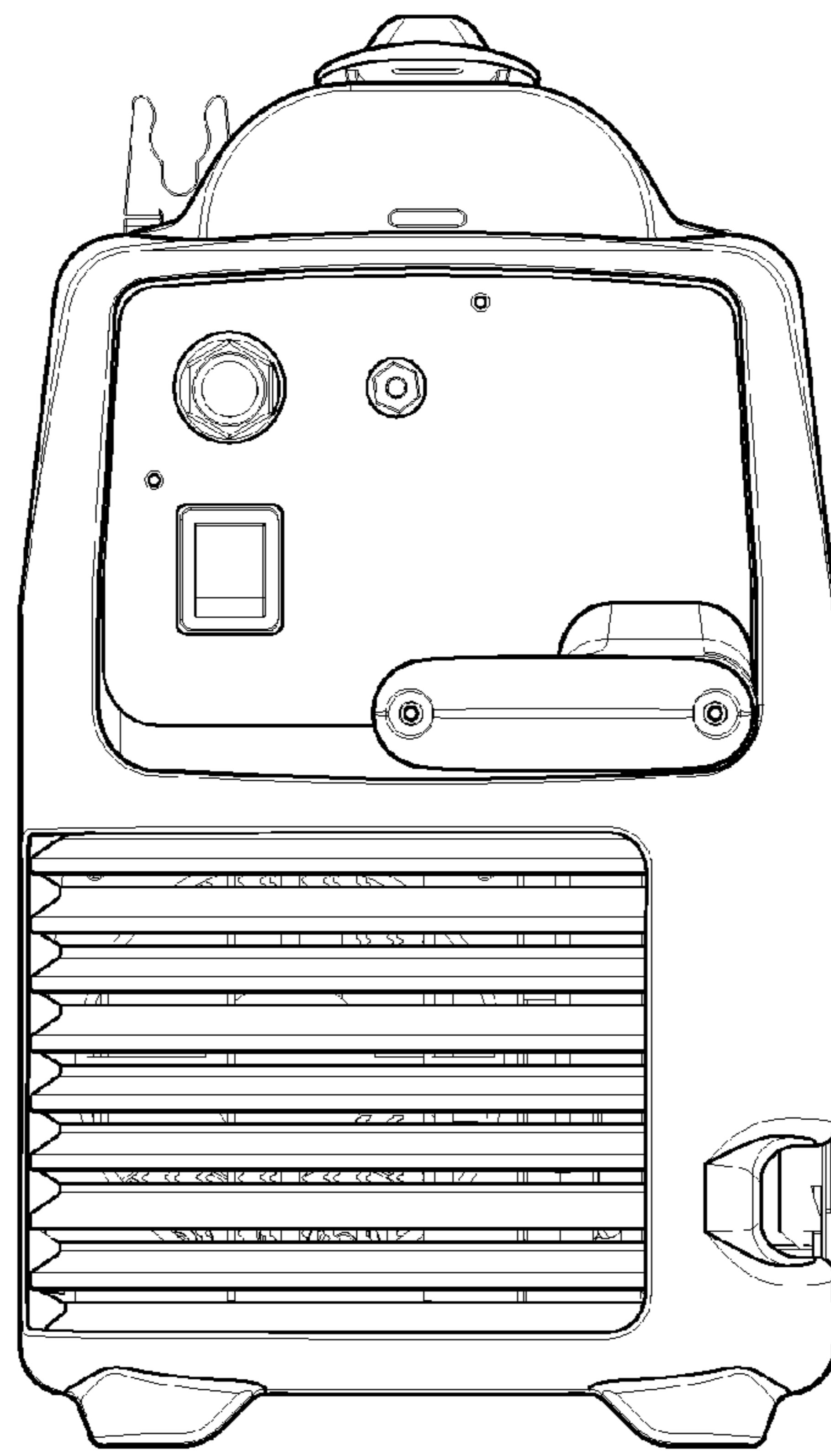


Fig. 2

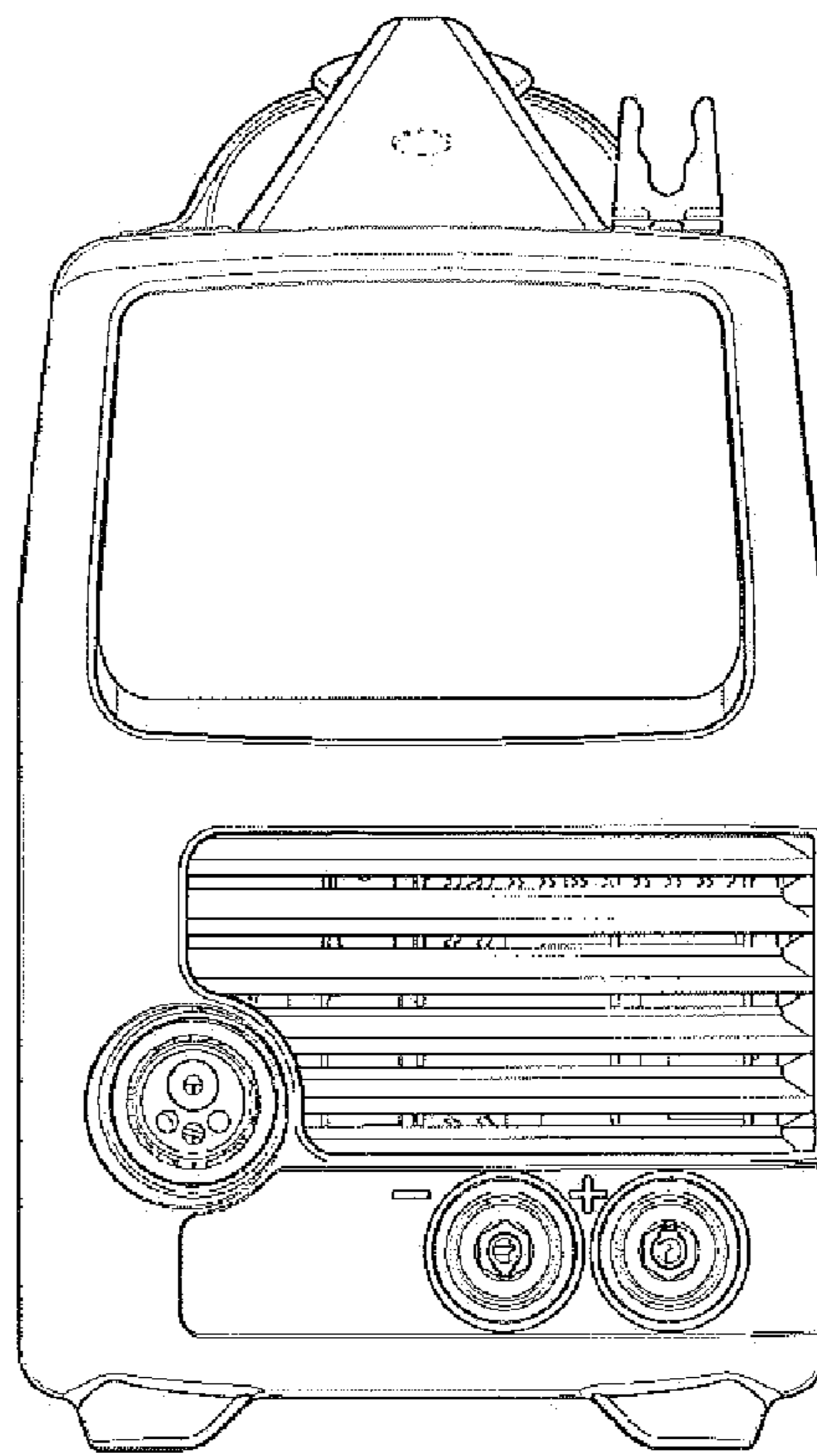


Fig. 3

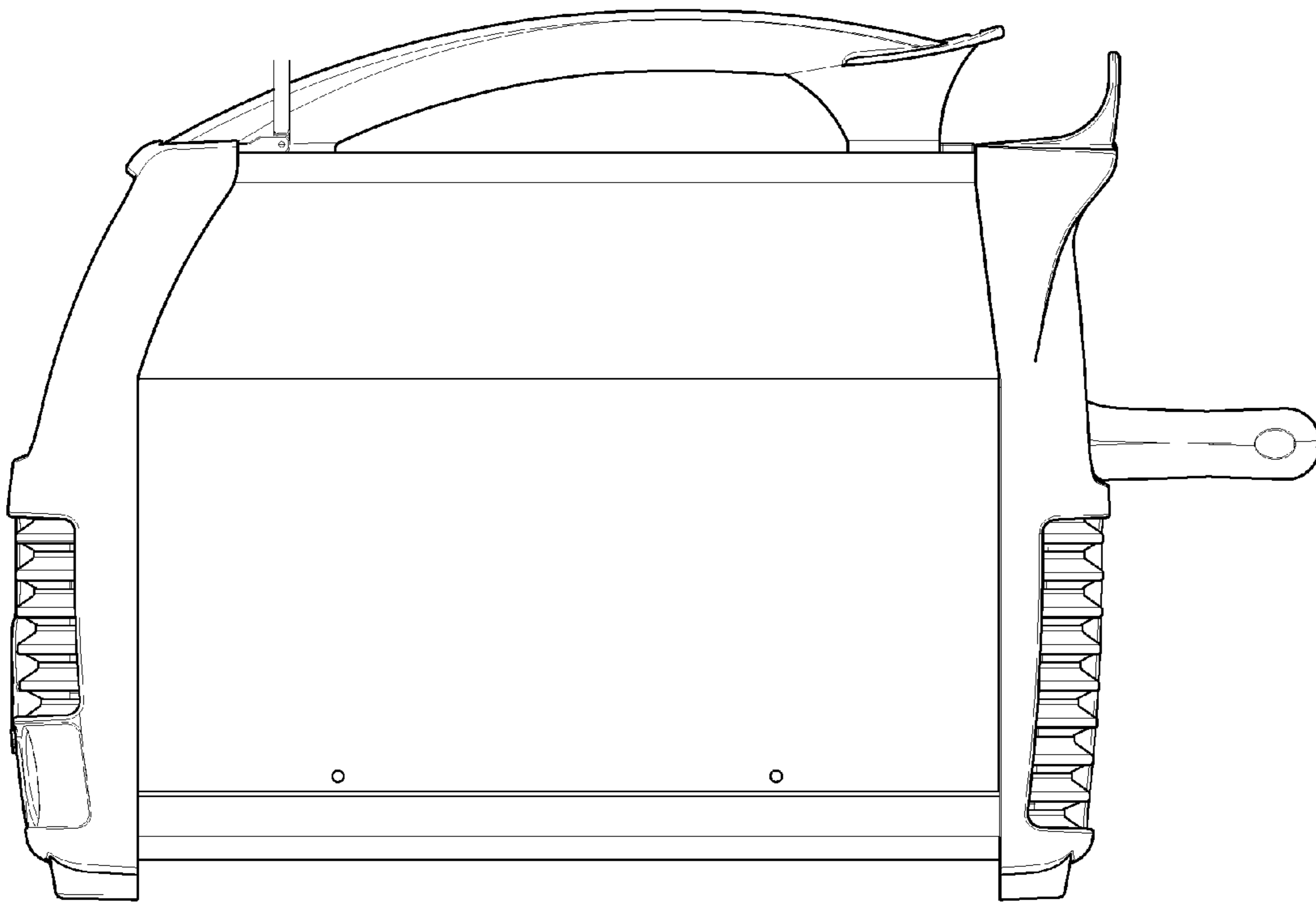


Fig. 4

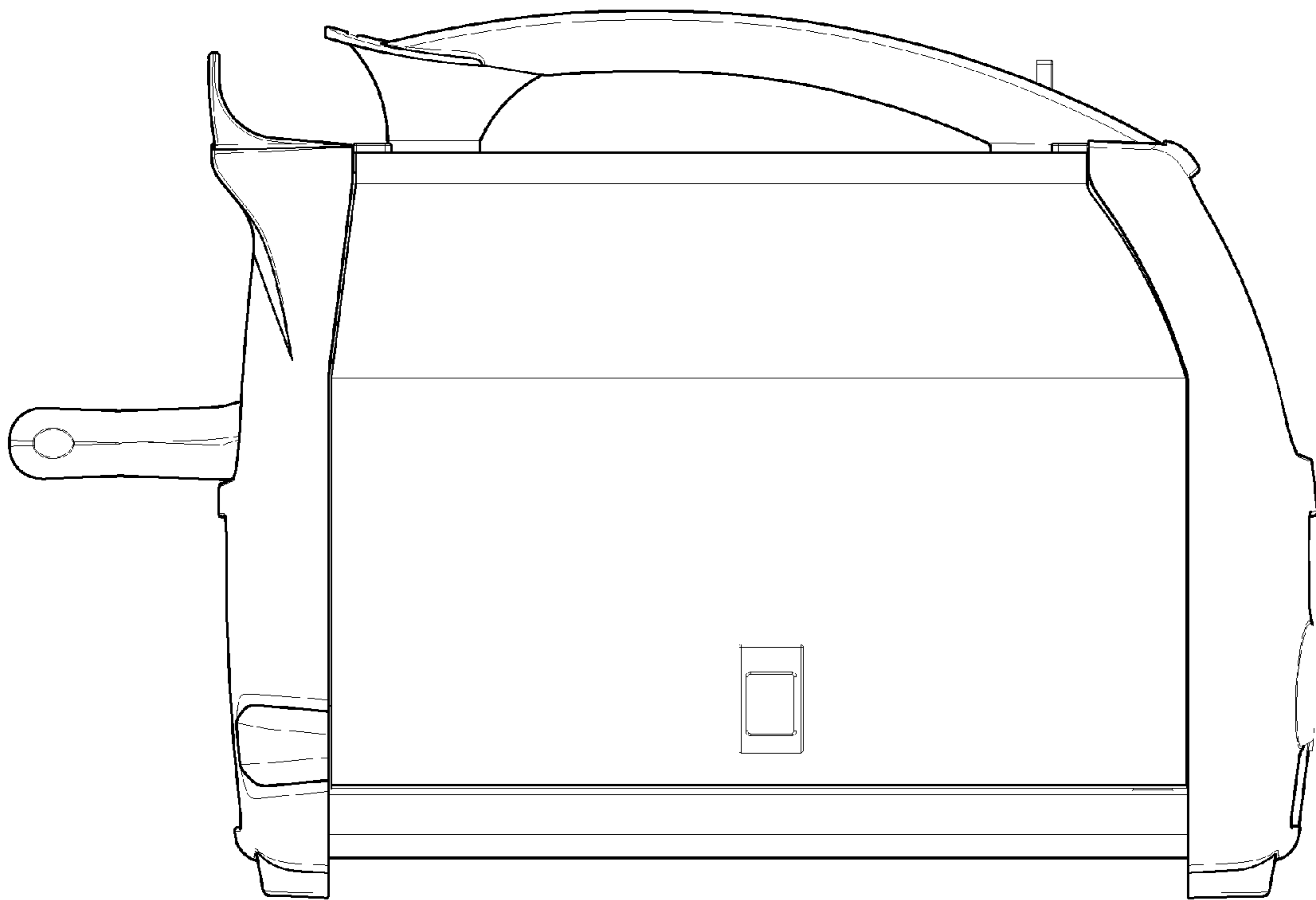


Fig. 5

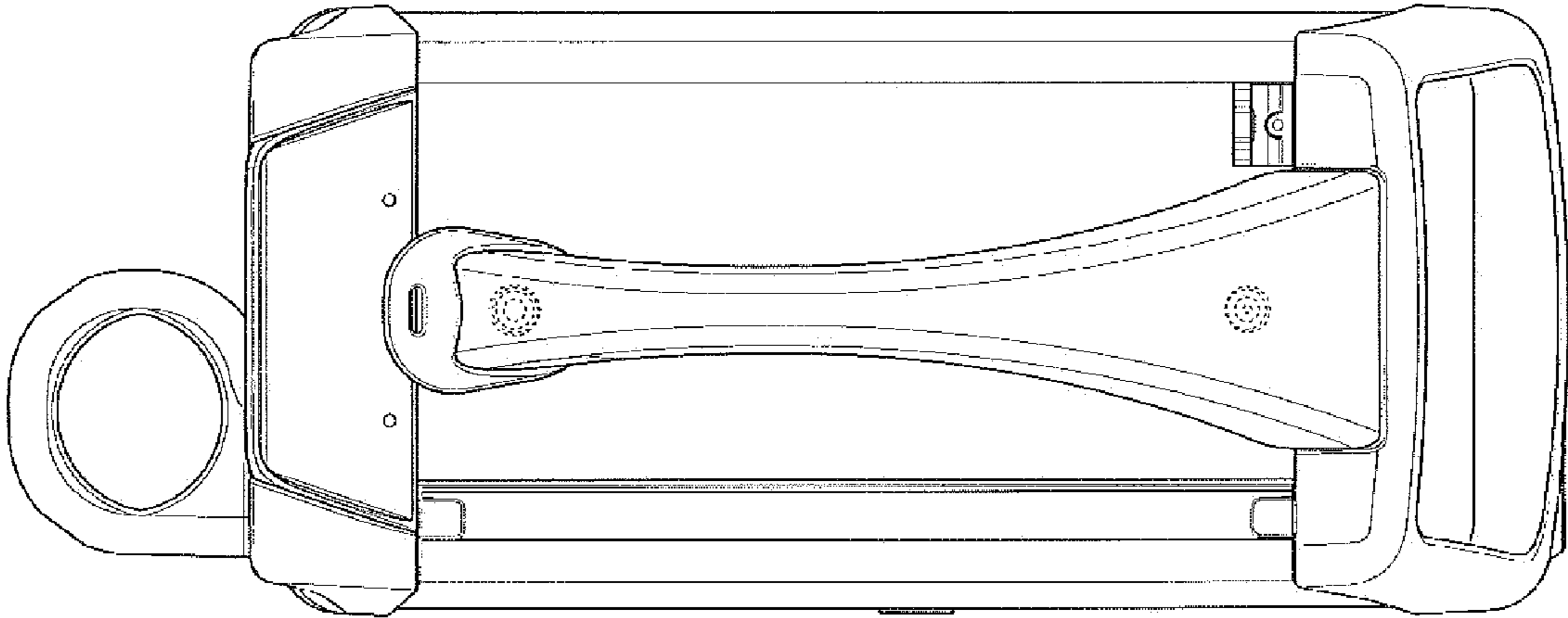


Fig. 6

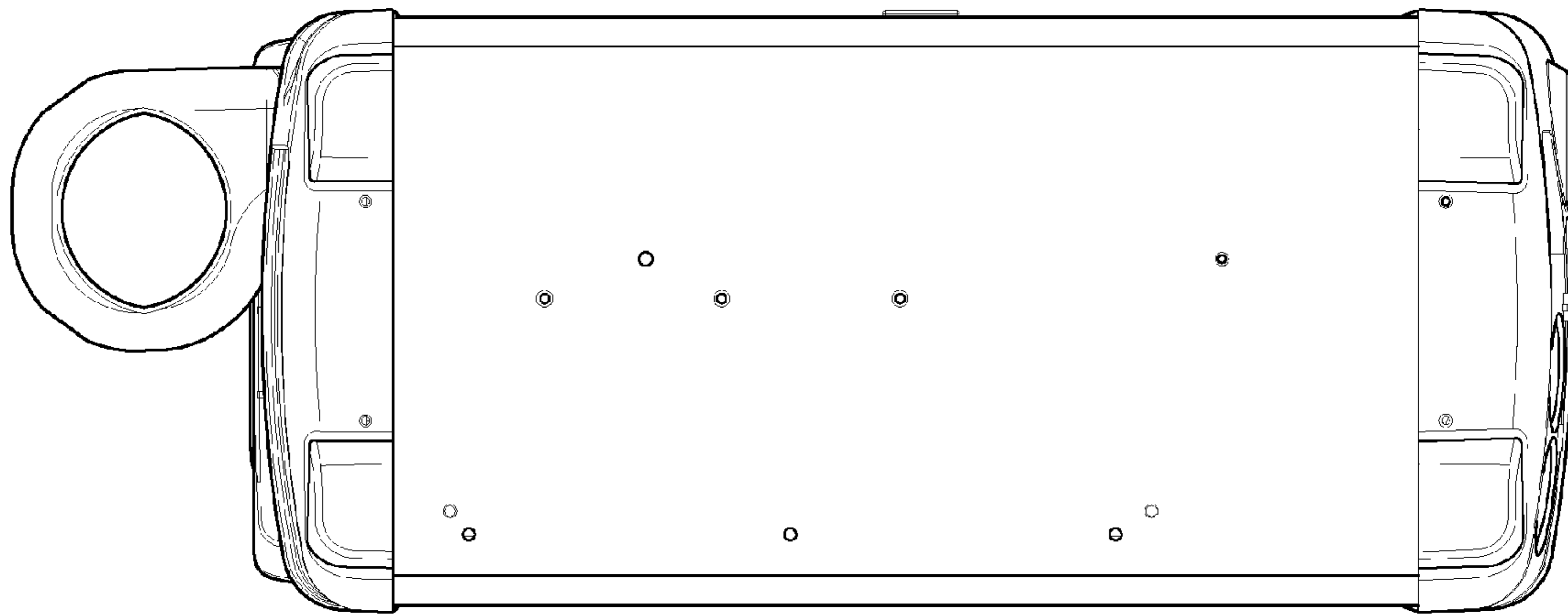


Fig. 7

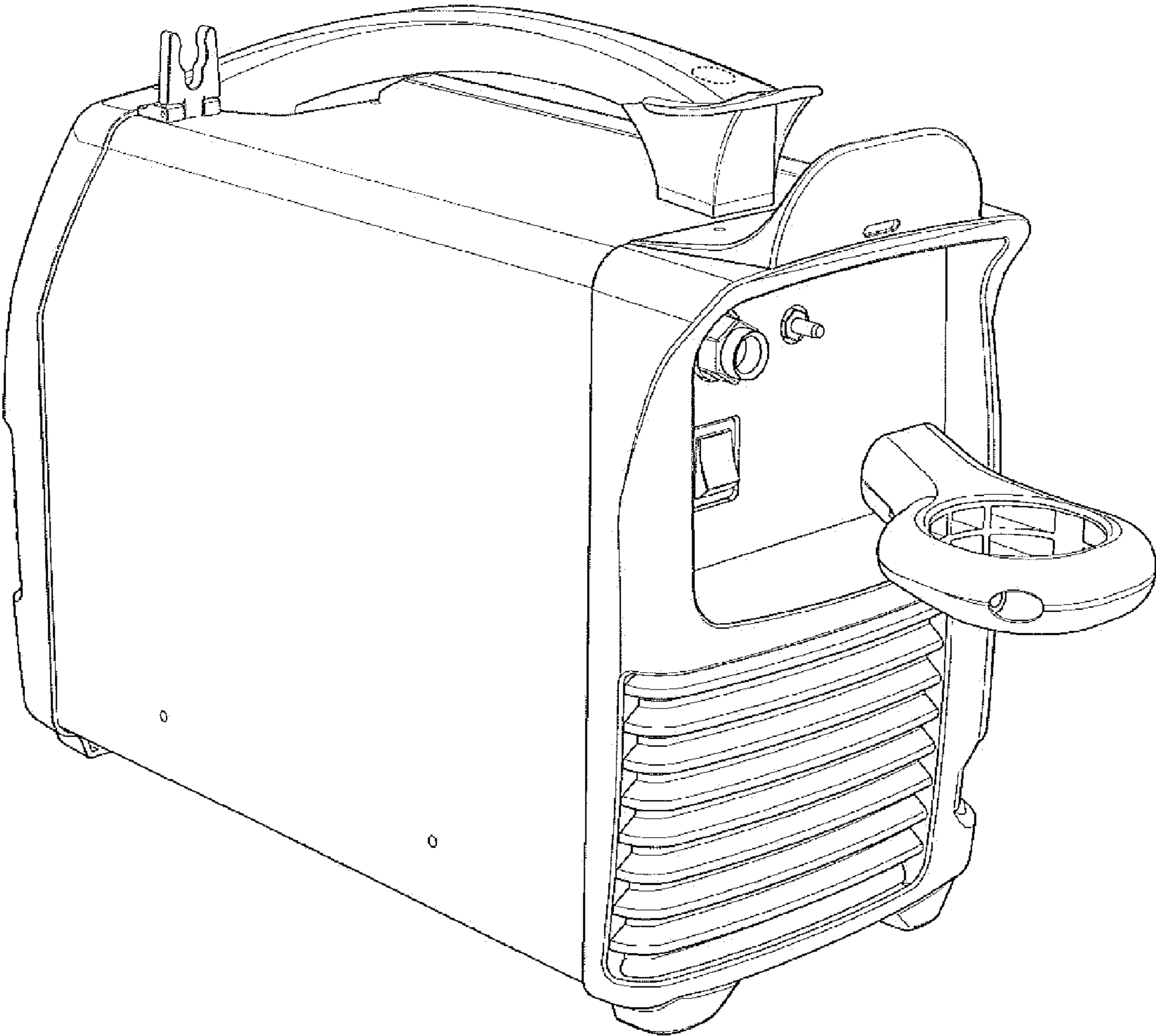


Fig. 8

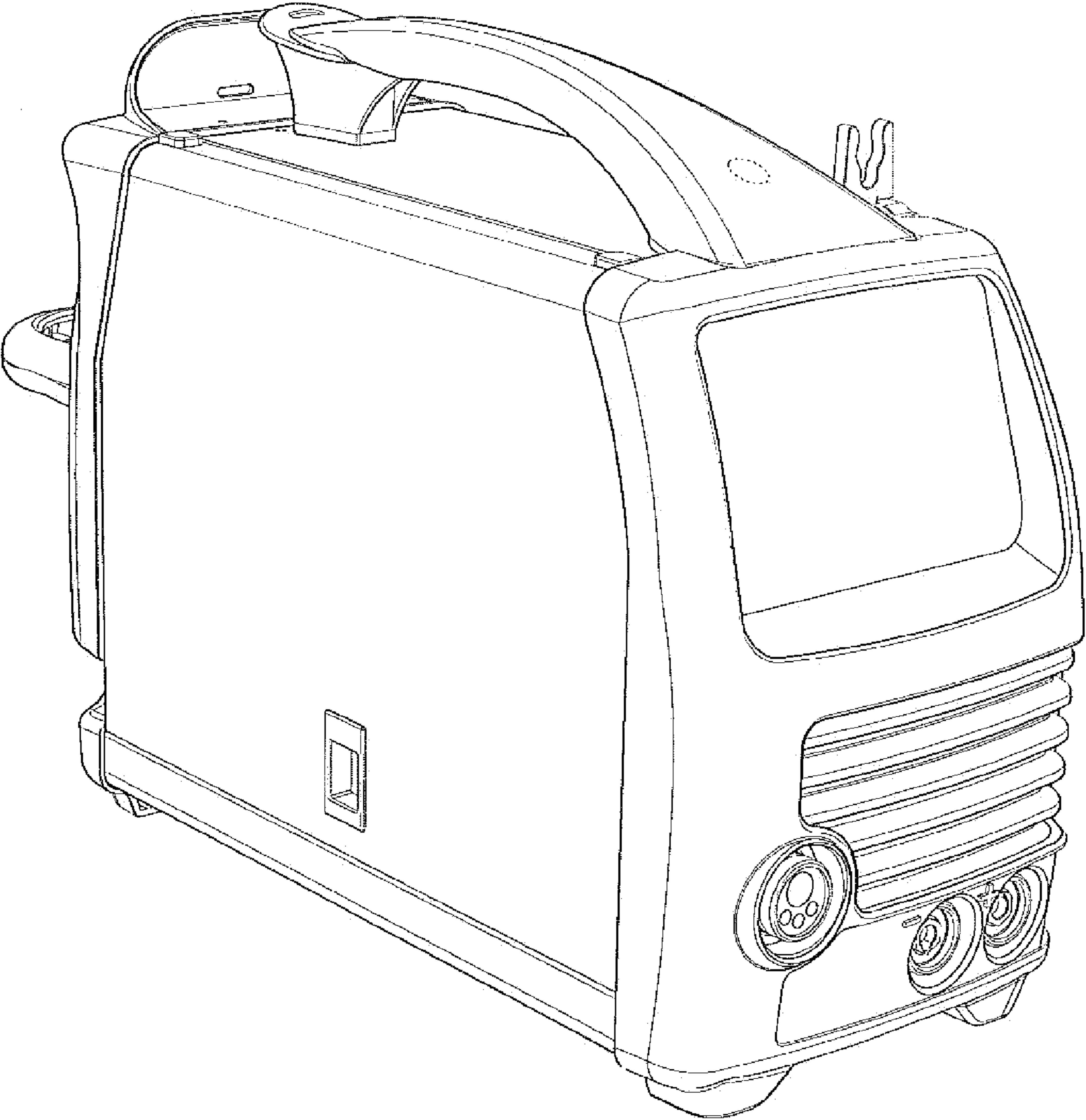


Fig. 9

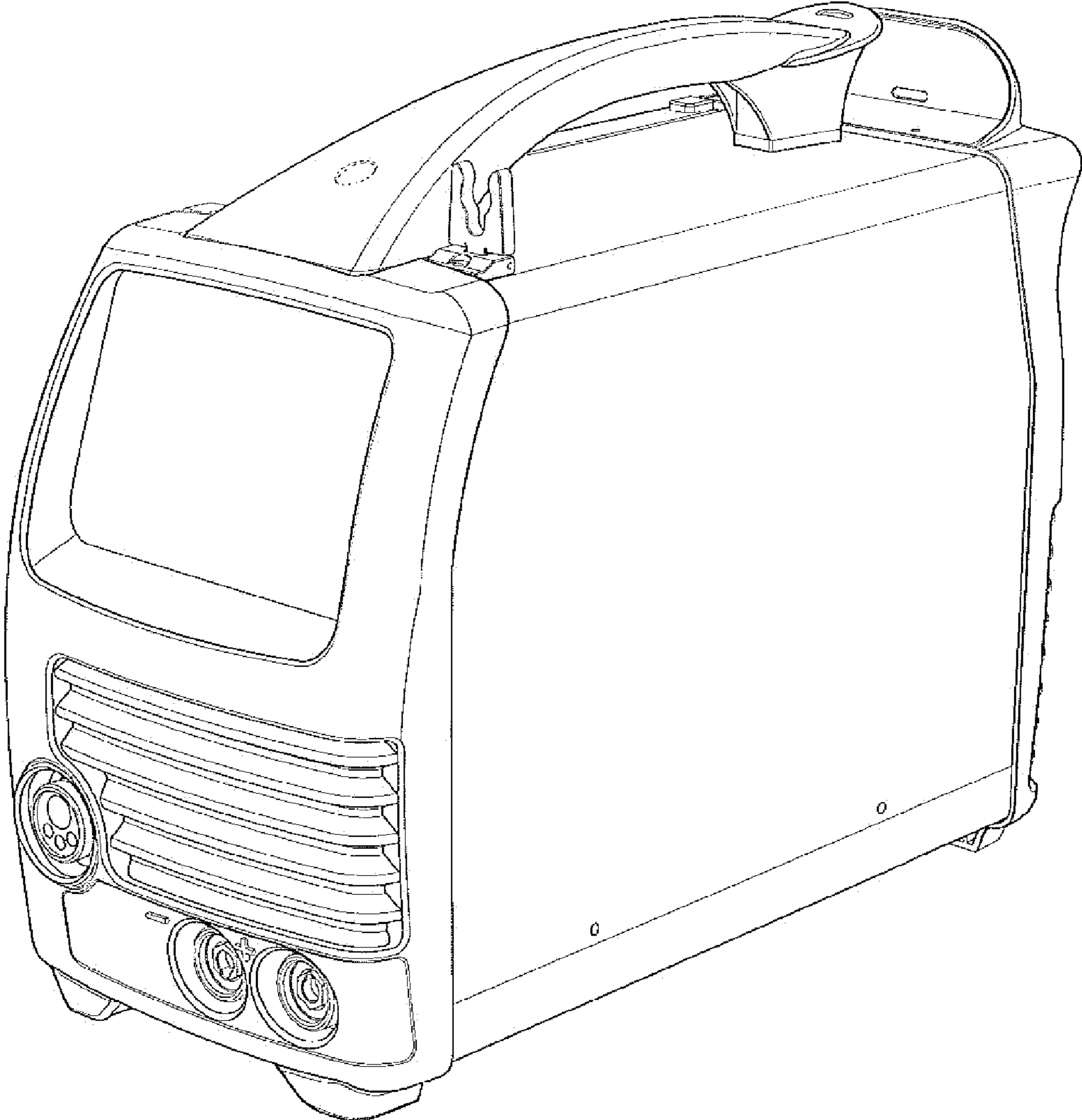


Fig. 10