



US00D679733S

(12) **United States Design Patent**
Armstrong

(10) **Patent No.:** **US D679,733 S**

(45) **Date of Patent:** **** Apr. 9, 2013**

(54) **CENTRIPETAL AIR/OIL SEPARATOR**

(76) Inventor: **Gary Armstrong**, Looms, CA (US)

(**) Term: **14 Years**

(21) Appl. No.: **29/407,225**

(22) Filed: **Nov. 23, 2011**

(51) **LOC (9) Cl.** **15-01**

(52) **U.S. Cl.** **D15/5**

(58) **Field of Classification Search** D15/1-7,
D15/150; 55/337, 400, 409, 485, 493, 498,
55/502, 505; D13/184

See application file for complete search history.

(56) **References Cited**

U.S. PATENT DOCUMENTS

D612,877 S * 3/2010 Noguchi D15/143
2004/0098956 A1 * 5/2004 Care et al. 55/400

* cited by examiner

Primary Examiner — T. Chase Nelson

Assistant Examiner — Ania Aman

(74) *Attorney, Agent, or Firm* — QuickPatents; Kevin Prince

(57) **CLAIM**

I claim the ornamental design for a centripetal air/oil separator, as shown and described.

DESCRIPTION

FIG. 1 is a perspective view of a centripetal air/oil separator, showing my new design;

FIG. 2 is an exploded perspective view thereof;

FIG. 3 is a front elevational view thereof;

FIG. 4 is a rear elevational view thereof;

FIG. 5 is a top plan view thereof;

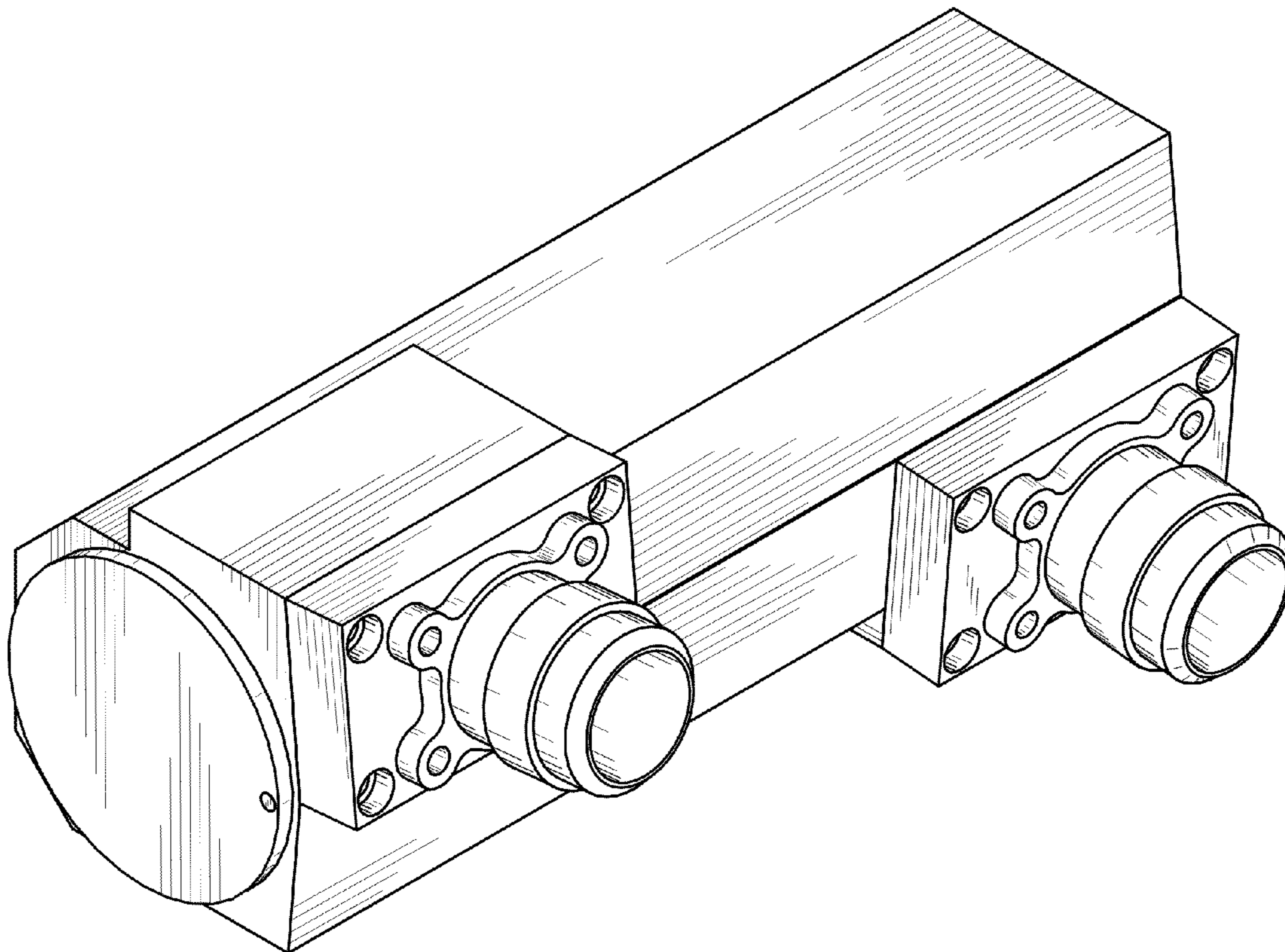
FIG. 6 is a right-side elevational view thereof;

FIG. 7 is a left-side elevational view thereof; and,

FIG. 8 is a bottom plan view thereof.

The broken lines in the drawings illustrate environmental matter that forms no part of the claimed design.

1 Claim, 7 Drawing Sheets



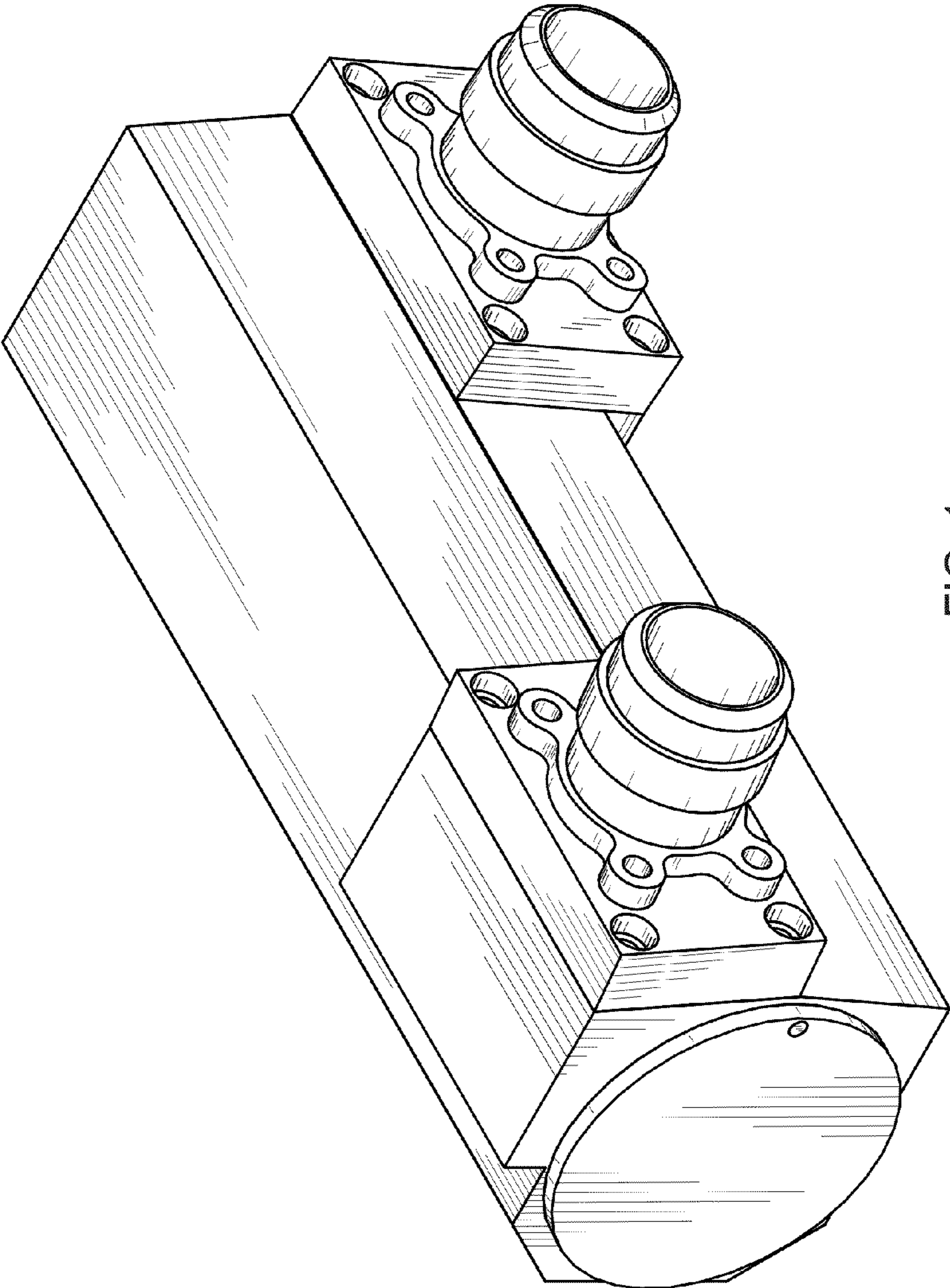


FIG. 1

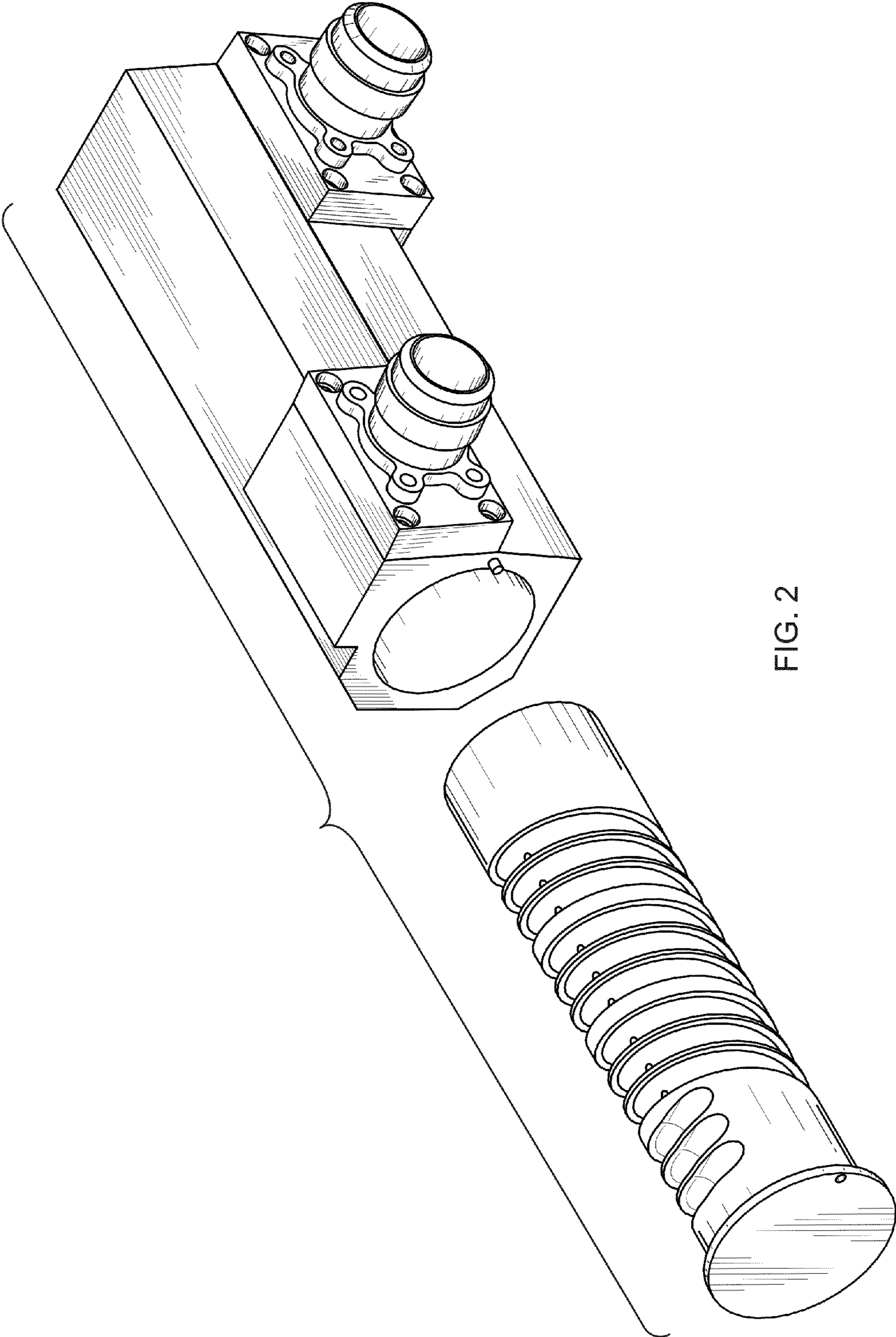


FIG. 2

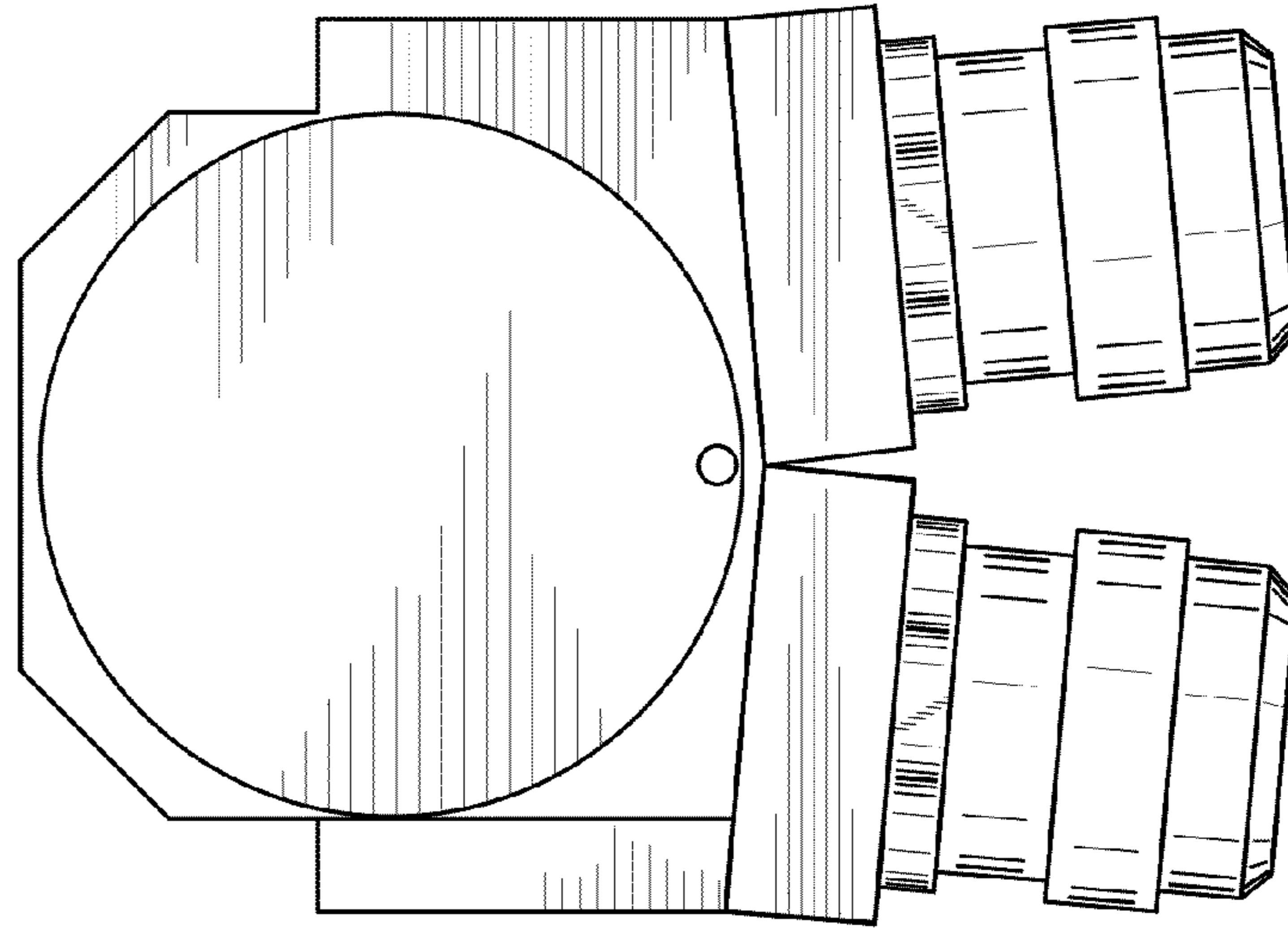


FIG. 3

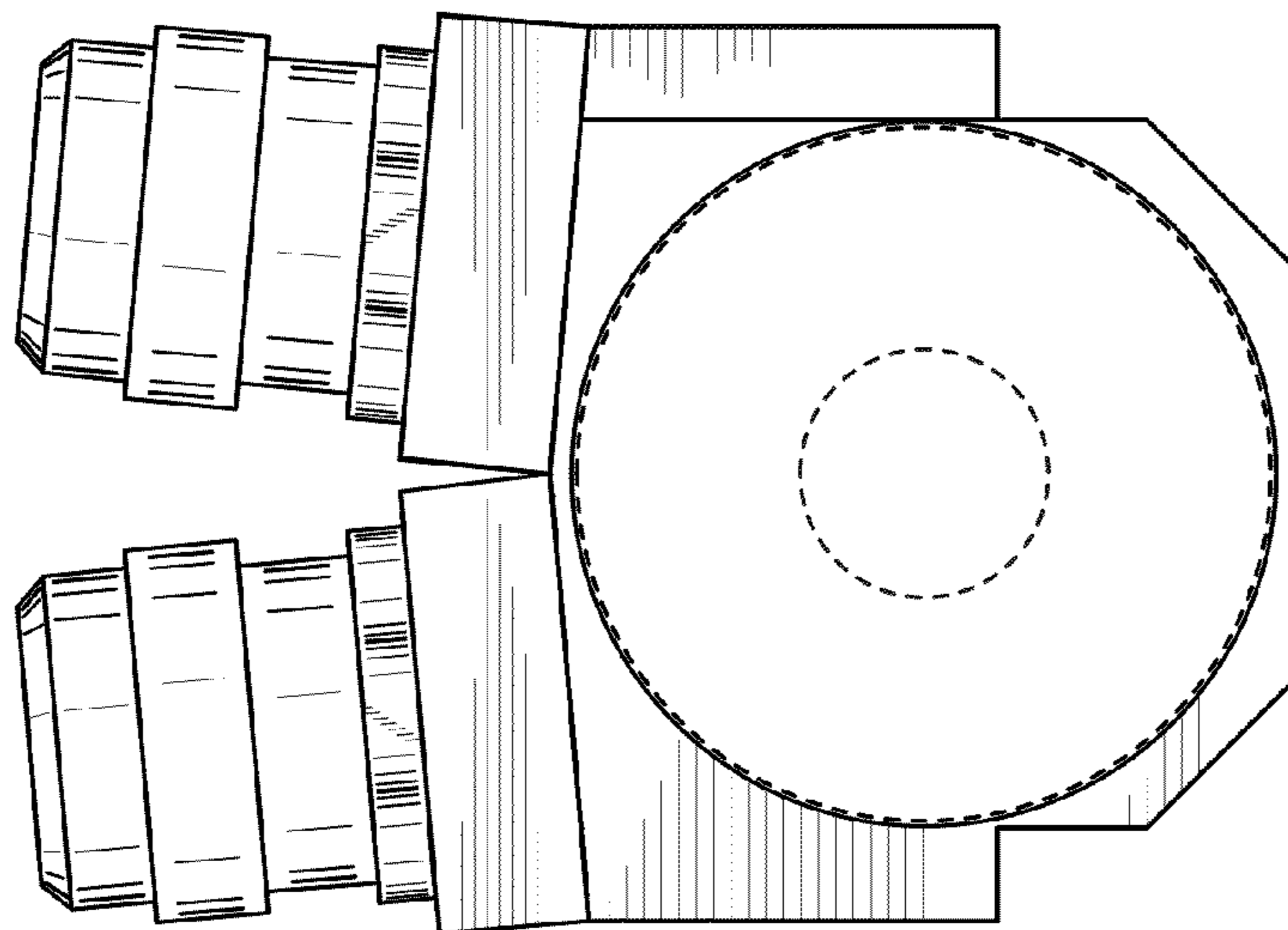


FIG. 4

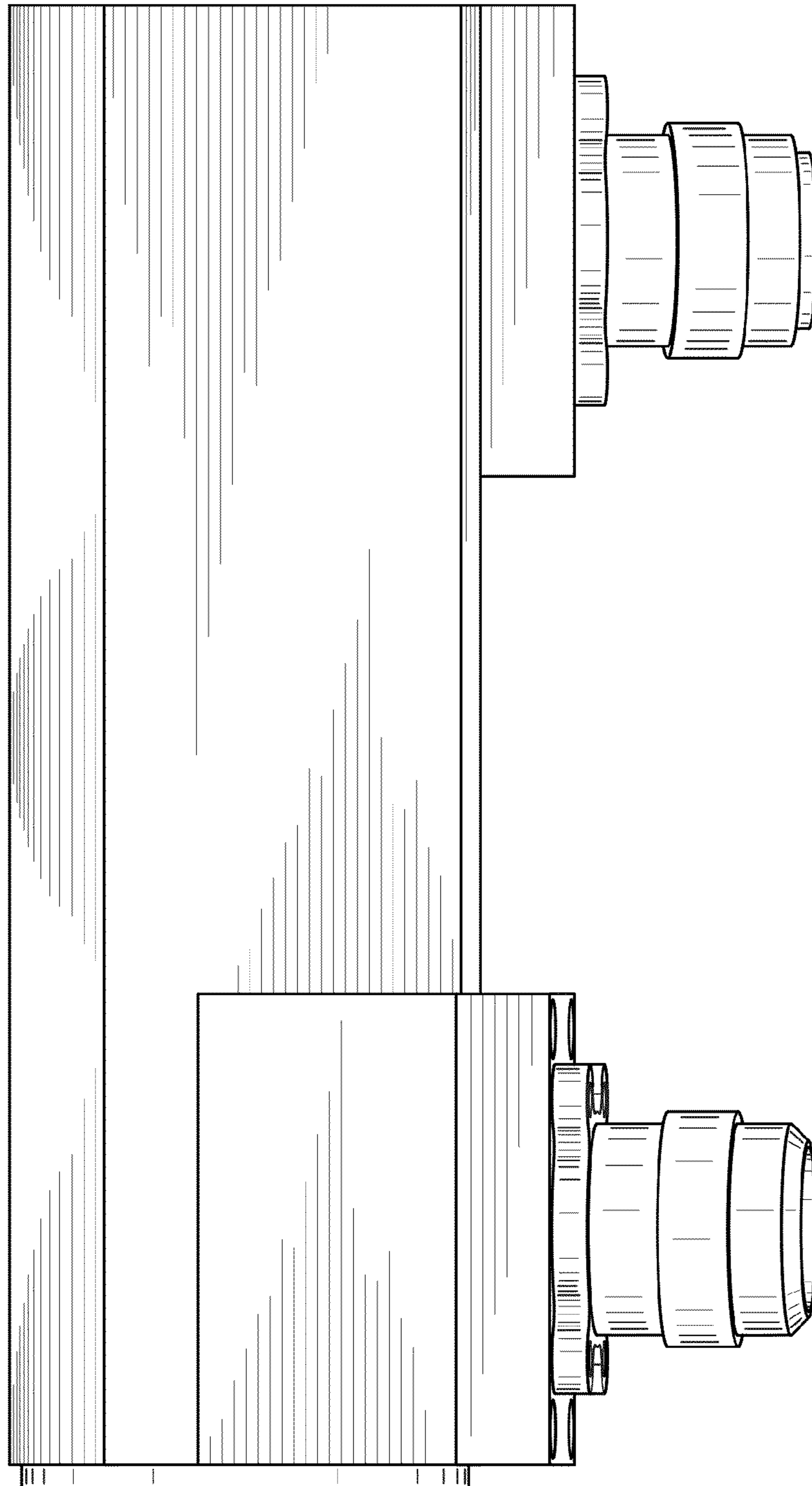


FIG. 5

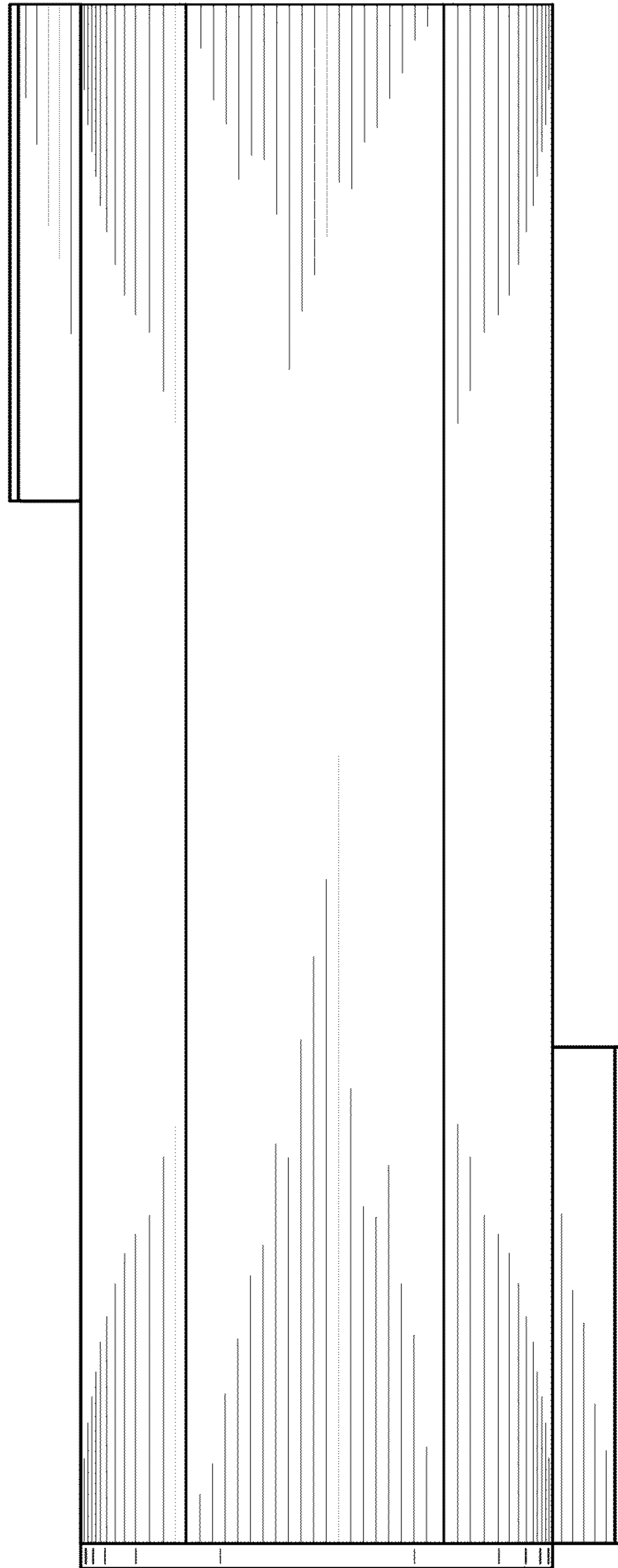


FIG. 6

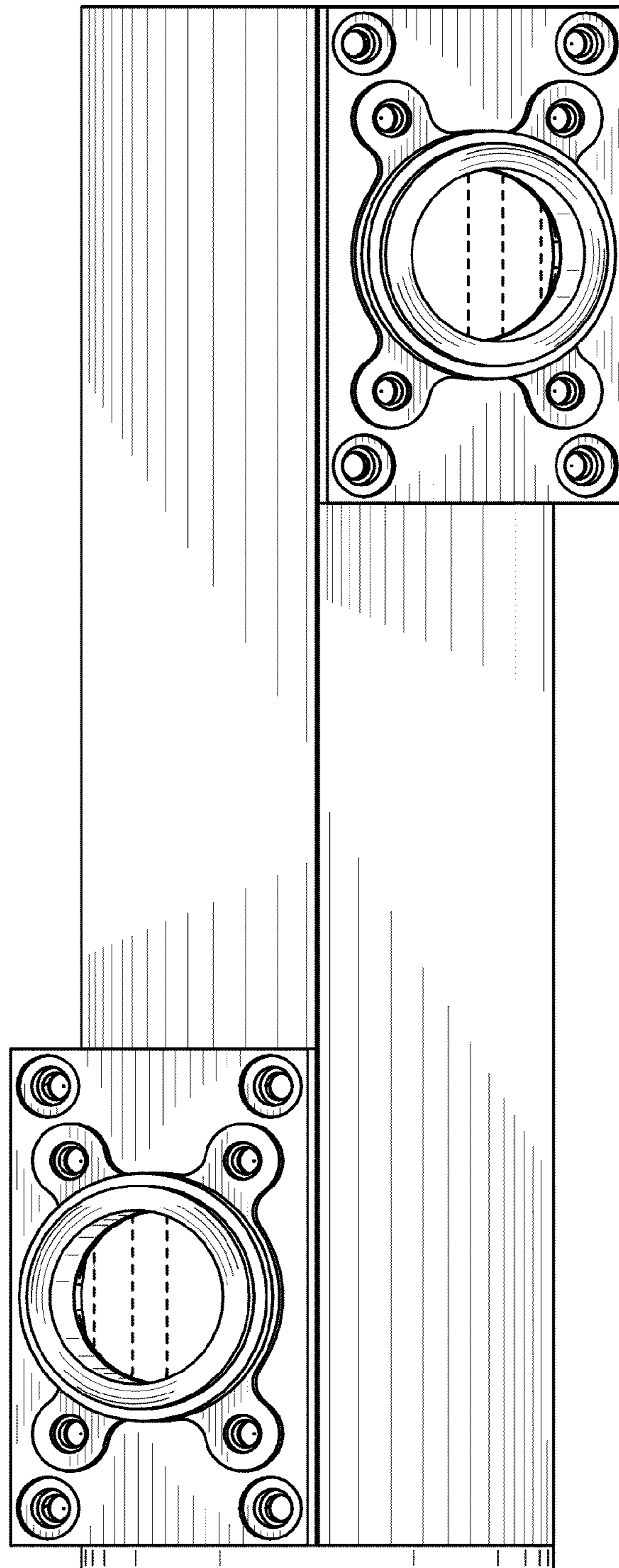


FIG. 7



FIG. 8