



US00D679731S

(12) **United States Design Patent**  
**Wood**

(10) **Patent No.:** **US D679,731 S**

(45) **Date of Patent:** **\*\* Apr. 9, 2013**

- (54) **SMALL ENGINE VALVE COVER**
- (76) Inventor: **Jeffrey Wood**, Belmont, MS (US)
- (\*\*) Term: **14 Years**
- (21) Appl. No.: **29/355,021**
- (22) Filed: **Feb. 1, 2010**

D570,877 S *	6/2008	Glass et al. ....	D15/1
D583,829 S *	12/2008	Fan .....	D15/1
D603,425 S *	11/2009	Che et al. ....	D15/1
D634,337 S *	3/2011	Yan et al. ....	D15/10
D638,444 S *	5/2011	He et al. ....	D15/1
2003/0154934 A1 *	8/2003	Nakamizo et al. ....	123/41.56

\* cited by examiner

*Primary Examiner* — T. Chase Nelson  
*Assistant Examiner* — Ania Aman  
 (74) *Attorney, Agent, or Firm* — Waddey & Patterson, PC;  
 Matthew C. Cox

**Related U.S. Application Data**

- (62) Division of application No. 29/323,849, filed on Sep. 2, 2008, now Pat. No. Des. 610,163.
- (51) **LOC (9) Cl.** ..... **15-01**
- (52) **U.S. Cl.**  
USPC ..... **D15/5**
- (58) **Field of Classification Search** ..... D15/1-6;  
123/195 C, 198 E, 90.37, 90.38, 572, 573,  
123/90.27; D12/400  
See application file for complete search history.

(57) **CLAIM**  
 What is claimed is the ornamental design for a new small engine valve cover, as shown and described.

**DESCRIPTION**

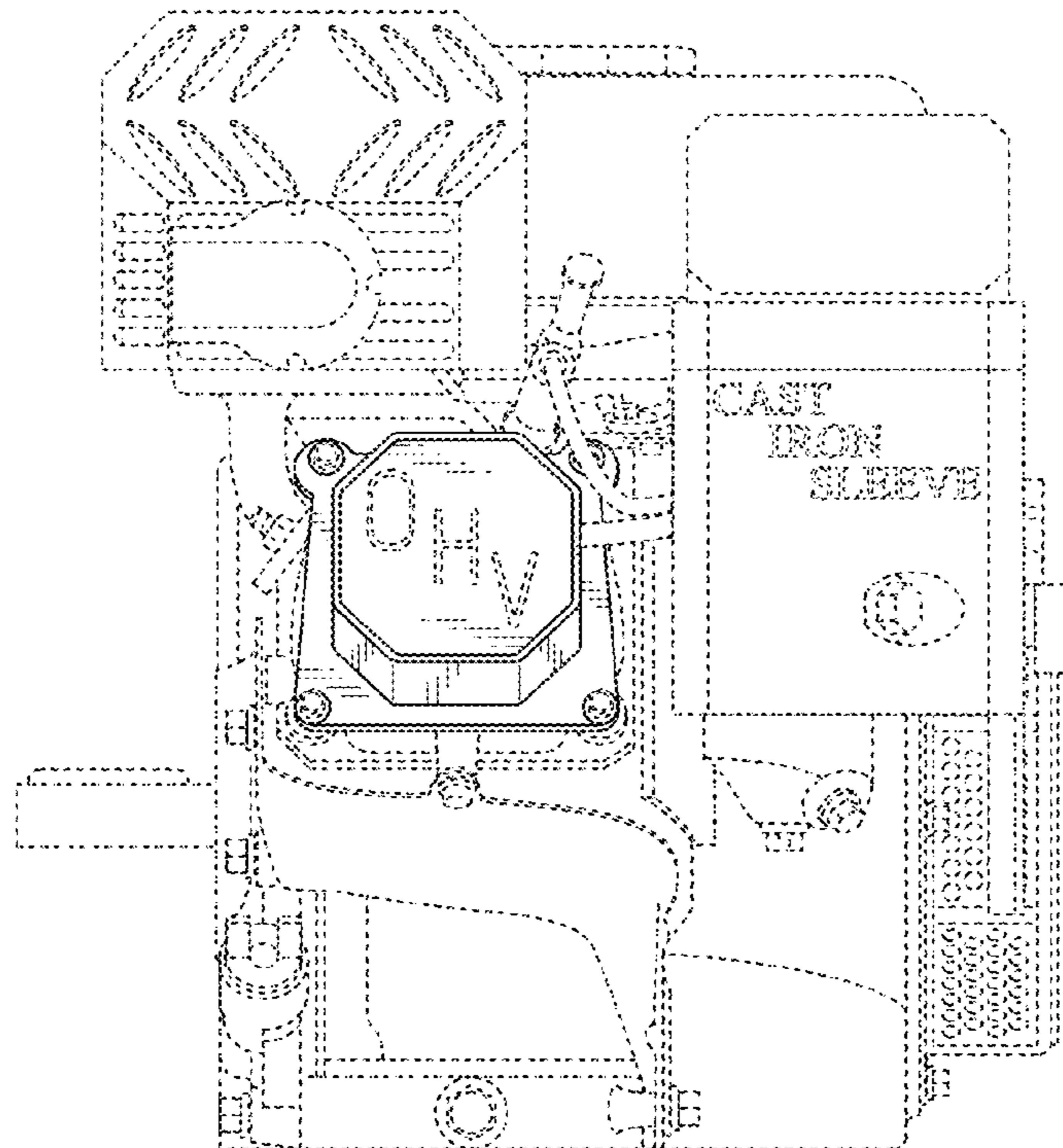
FIG. 1 shows a perspective view of the small engine valve cover as mounted on a small engine when looking from the side.  
 FIG. 2 shows a portion of the device as mounted on the small engine when looking from the top.  
 FIG. 3 shows a small portion of the cover as shown when mounted on the opposite side of the small engine.  
 FIG. 4 shows the side of the valve cover when mounted on the side of the engine.  
 FIG. 5 shows an enlarged top view of the small engine valve cover not mounted on the small engine; and,  
 FIG. 6 shows another enlarged side view of the small engine valve cover.

(56) **References Cited**

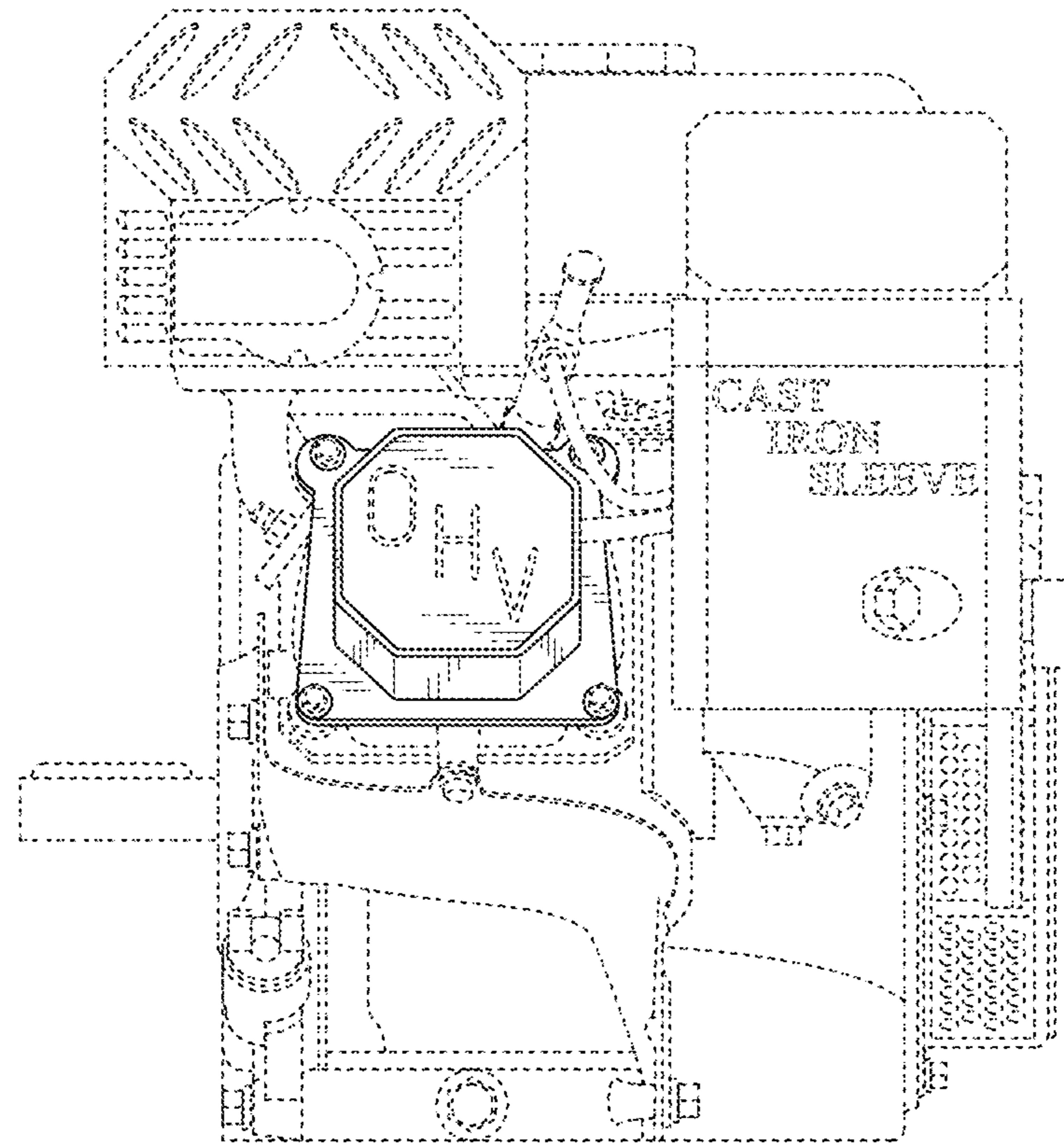
**U.S. PATENT DOCUMENTS**

D353,381 S *	12/1994	Yoshida et al. ....	D15/1
D367,070 S *	2/1996	Maeda et al. ....	D15/1
6,845,739 B2 *	1/2005	Nakamizo et al. ....	123/41.56
D515,589 S *	2/2006	Lin et al. ....	D15/1
D516,580 S *	3/2006	Li .....	D15/1
D516,582 S *	3/2006	Giddens .....	D15/5
D521,529 S *	5/2006	Wu et al. ....	D15/1
D531,641 S *	11/2006	Schultz et al. ....	D15/5
D533,195 S *	12/2006	Giddens .....	D15/5
D561,784 S *	2/2008	Yin et al. ....	D15/1

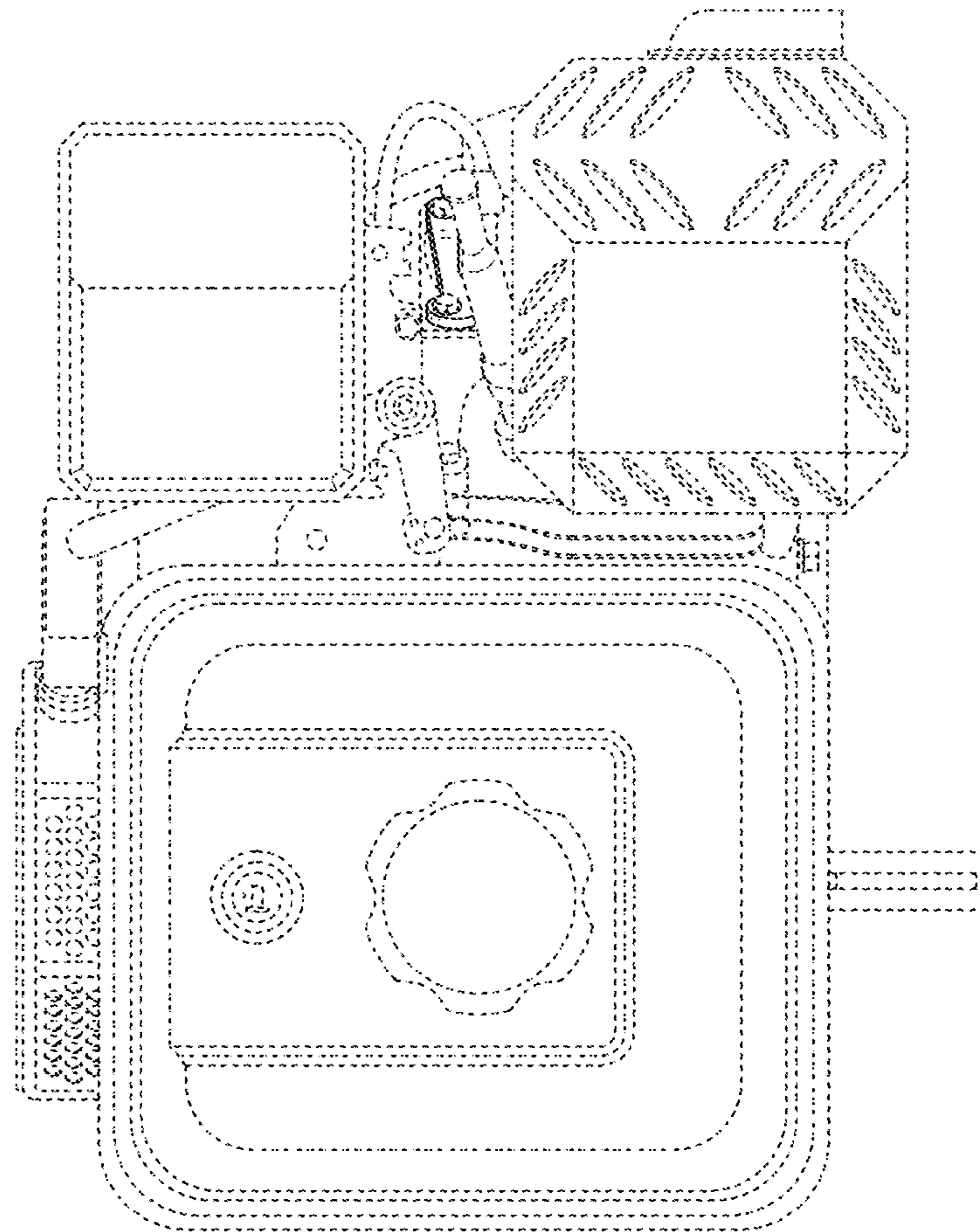
**1 Claim, 2 Drawing Sheets**

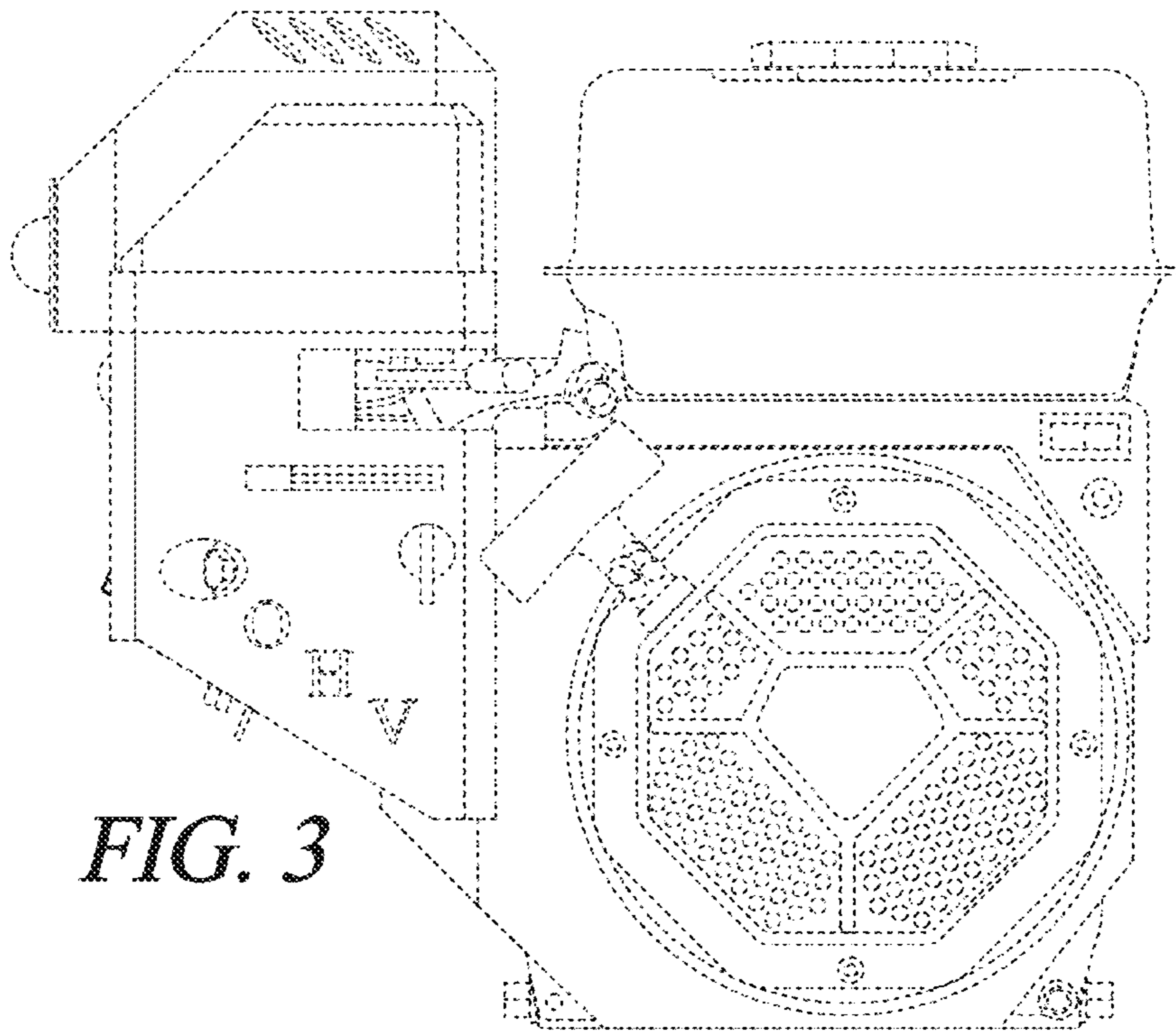


*FIG. 1*

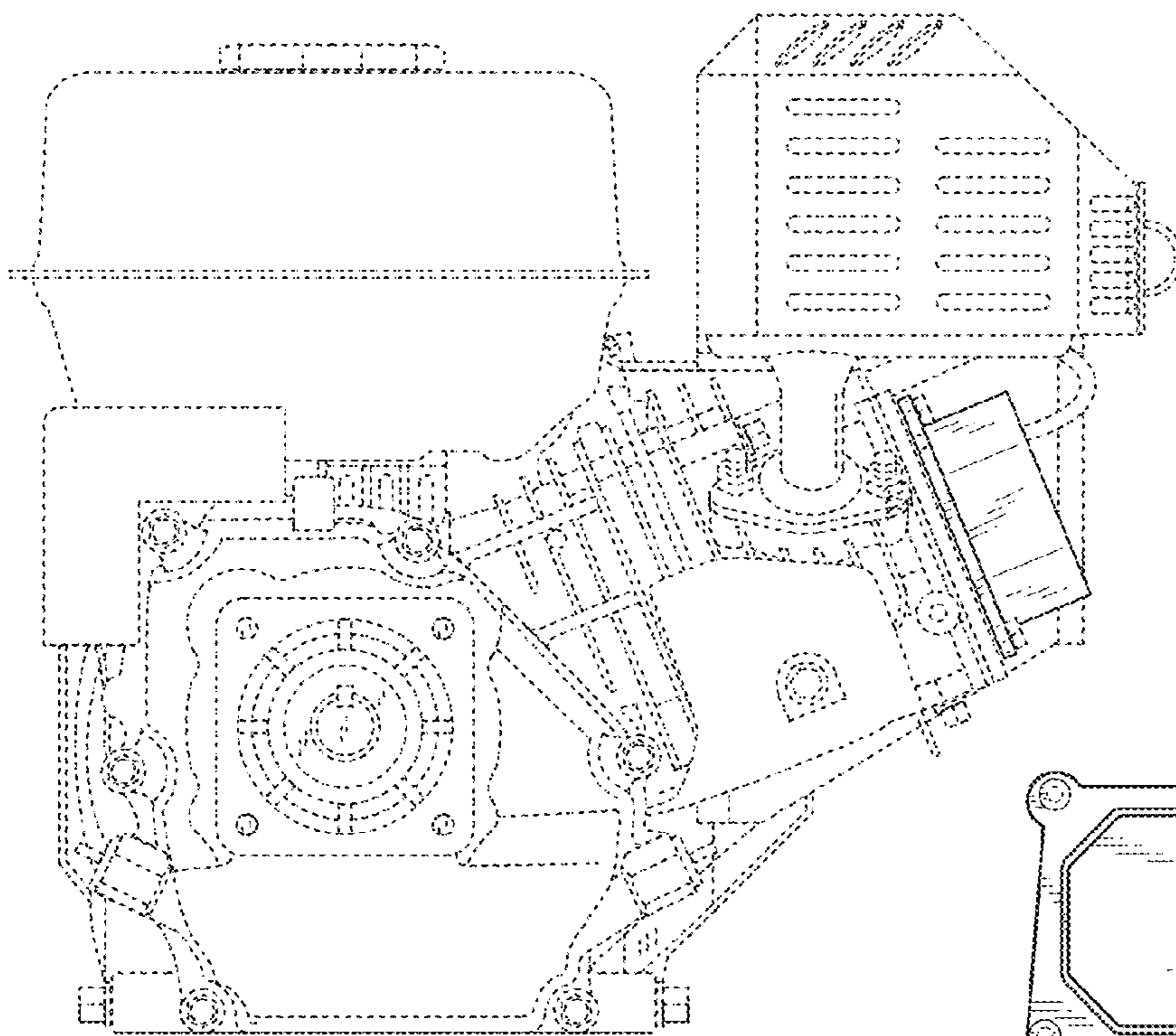


*FIG. 2*

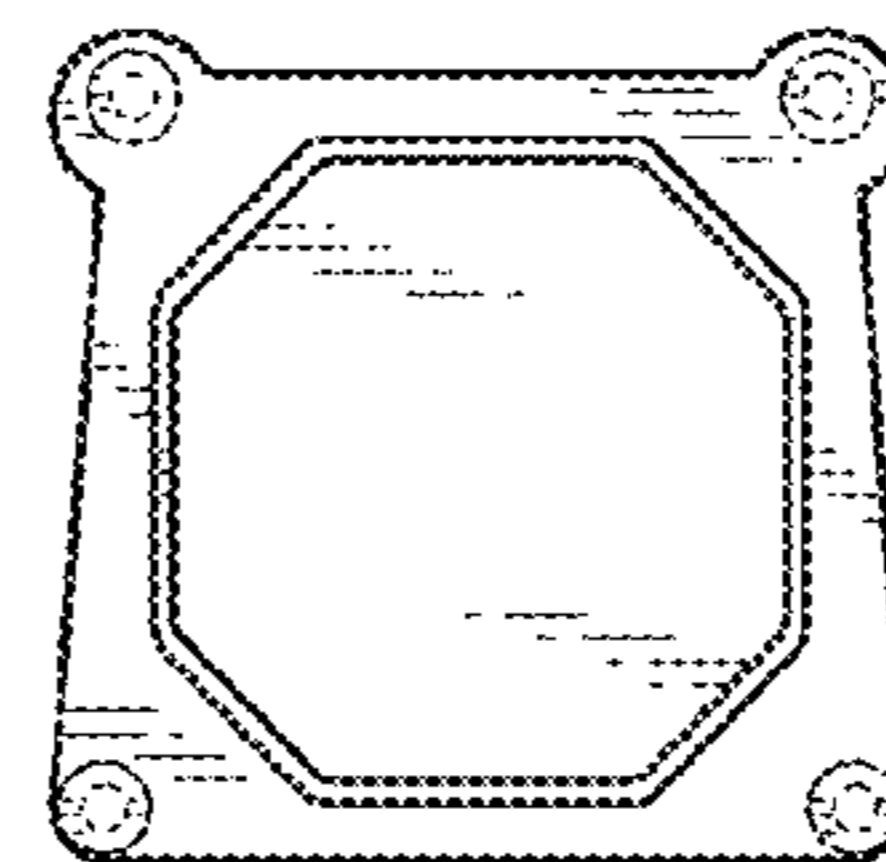




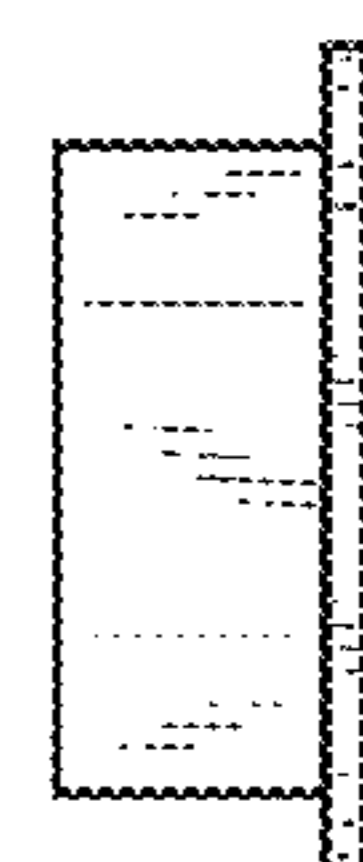
*FIG. 3*



*FIG. 4*



*FIG. 5*



*FIG. 6*