



US00D679718S

(12) **United States Design Patent**
Benois

(10) **Patent No.:** **US D679,718 S**
(45) **Date of Patent:** **** Apr. 9, 2013**

(54) **USB FLASH DRIVE PEN**

(75) Inventor: **Laurent Benois**, Carrières sur Seine (FR)

(73) Assignee: **Linkeet**, Paris (FR)

(**) Term: **14 Years**

(21) Appl. No.: **29/411,178**

(22) Filed: **Jan. 18, 2012**

(30) **Foreign Application Priority Data**

Nov. 22, 2011 (EP) 001951021-0001

(51) **LOC (9) Cl.** **14-02**

(52) **U.S. Cl.** **D14/480.3; D19/36**

(58) **Field of Classification Search** D14/411, D14/433, 435, 435.1, 436-438, 480.1-480.7, D14/484.1, 137, 155, 203.1-203.8, 240; D13/133, 146-147, 154; 710/300, 301; 439/131, 439/135-147; 361/679.31, 679.33, 679.4, 361/752; 711/100, 115; D19/36, 45, 48, D19/51, 55-57; 401/6, 7, 102, 104, 116, 401/195; 24/10 R, 11 R, 11 F

See application file for complete search history.

(56) **References Cited**

U.S. PATENT DOCUMENTS

D78,777	S	*	6/1929	Mundstock et al.	D19/51
D84,944	S	*	8/1931	Larsen	D19/48
D92,905	S	*	7/1934	Hauton	D19/48
1,982,889	A	*	12/1934	Turnberger	401/89
D96,022	S	*	6/1935	Cuthbert	D19/51
2,110,999	A	*	3/1938	Miga	132/73.5
D138,345	S	*	7/1944	Kahn	D19/48
D140,026	S	*	1/1945	Schladermundt et al.	D19/51
D144,621	S	*	5/1946	Kahn	D19/48
D159,125	S	*	6/1950	Wuestman	D19/48
D215,042	S	*	8/1969	Di Spirito	D19/51
D312,096	S	*	11/1990	Vitrac	D19/51
D335,144	S	*	4/1993	Katami et al.	D19/57
6,519,813	B1	*	2/2003	Lin et al.	24/11 F

6,773,192	B1	*	8/2004	Chao	401/195
D497,616	S	*	10/2004	Ma et al.	D14/480.2
D502,216	S	*	2/2005	Chen	D19/36
D505,156	S	*	5/2005	Tatic	D19/51
6,932,276	B1	*	8/2005	Liu	235/486
D541,861	S	*	5/2007	Qiu	D19/51
D547,374	S	*	7/2007	Deng	D19/36
D551,711	S	*	9/2007	Pellissa Beneyto	D19/51
D562,384	S	*	2/2008	Qiu	D19/36
7,347,638	B1	*	3/2008	Lin	401/195
2007/0231053	A1	*	10/2007	Chan	401/195

* cited by examiner

Primary Examiner — Karen E Kearney

(74) *Attorney, Agent, or Firm* — Jordan IP Law, LLC; Todd A. Vaughn

(57) **CLAIM**

The ornamental design for a USB flash drive pen, as illustrated.

DESCRIPTION

FIG. 1 illustrates a front perspective view of a USB flash drive pen with the USB flash drive in an inserted position.

FIG. 2 illustrates a front perspective view of the USB flash drive pen with the USB flash drive in an extracted position.

FIG. 3 illustrates a side perspective view (from the rear) of the USB flash drive pen with the USB flash drive in an extracted position.

FIG. 4 illustrates a side perspective view (from the rear) of the USB flash drive pen with the USB flash drive in an inserted position.

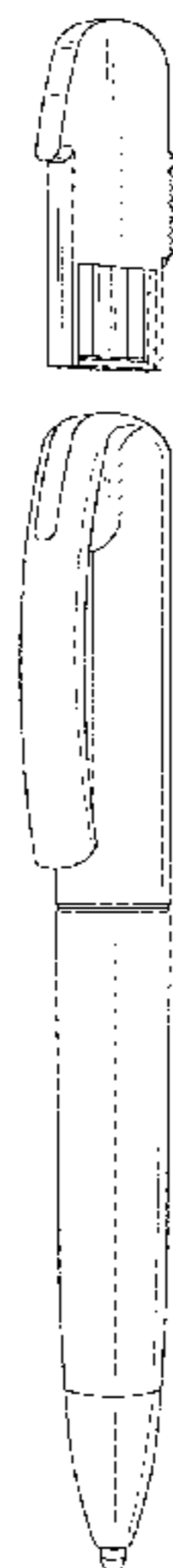
FIG. 5 illustrates a top perspective view of the USB flash drive pen with the USB flash drive in an inserted position.

FIG. 6 illustrates a top perspective view of the USB flash drive pen with the USB flash drive in an extracted position.

FIG. 7 illustrates a rear perspective view of the USB flash drive pen with the USB flash drive in an inserted position; and,

FIG. 8 illustrates a rear perspective view of the USB flash drive pen with the USB flash drive in an extracted position.

1 Claim, 8 Drawing Sheets



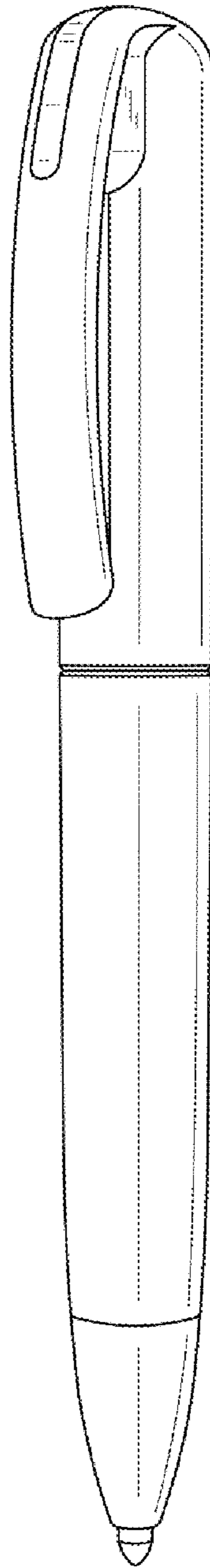


FIG. 1

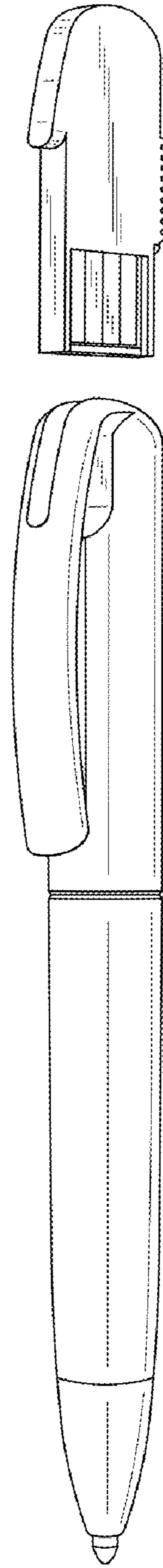


FIG.2

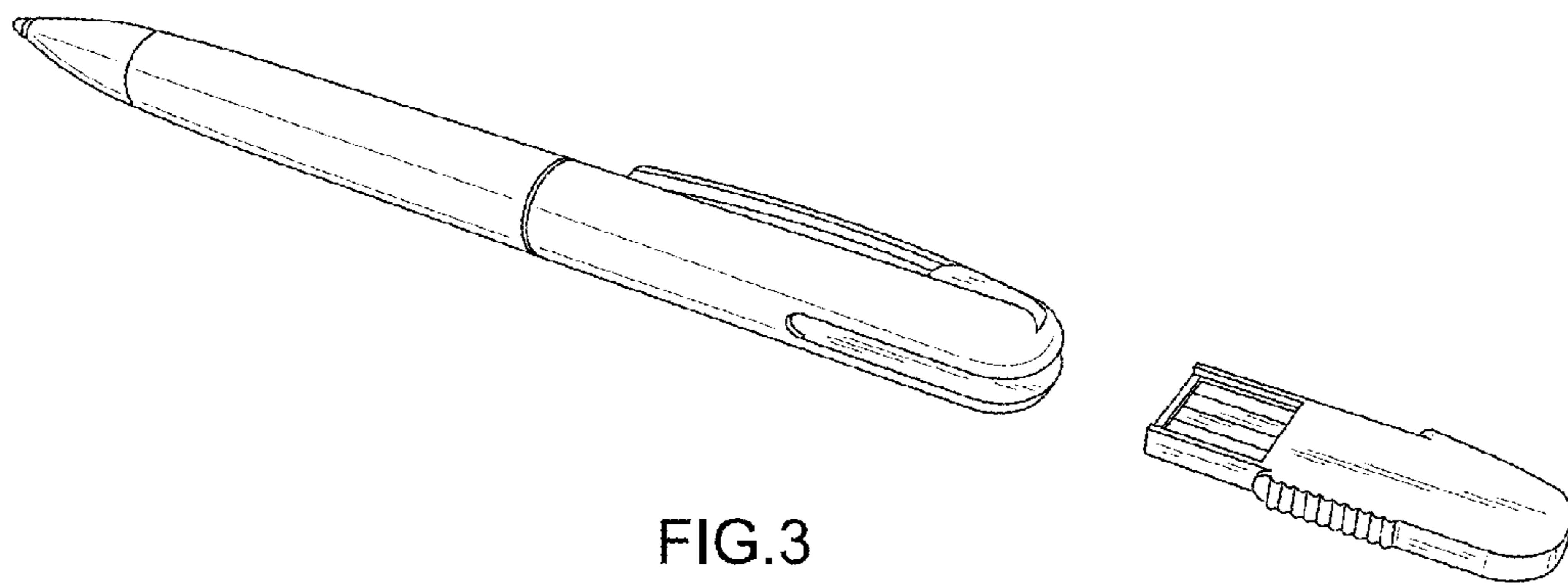


FIG.3

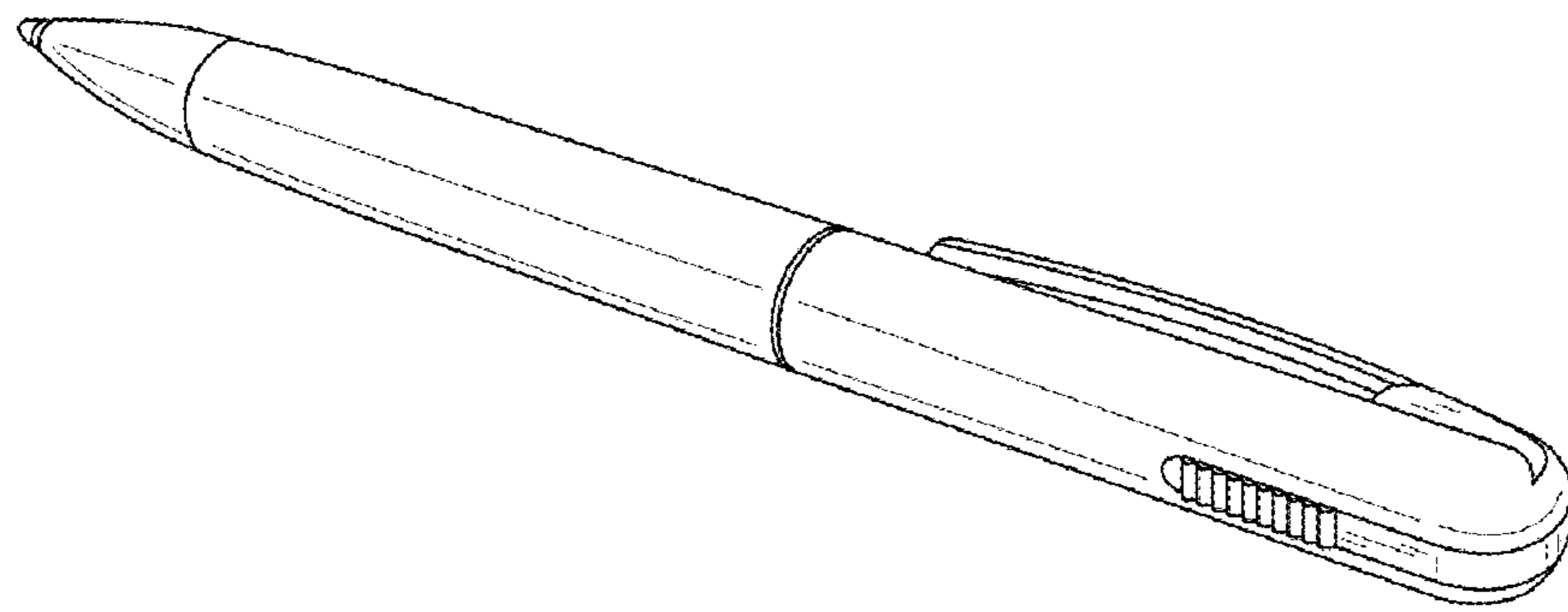


FIG.4

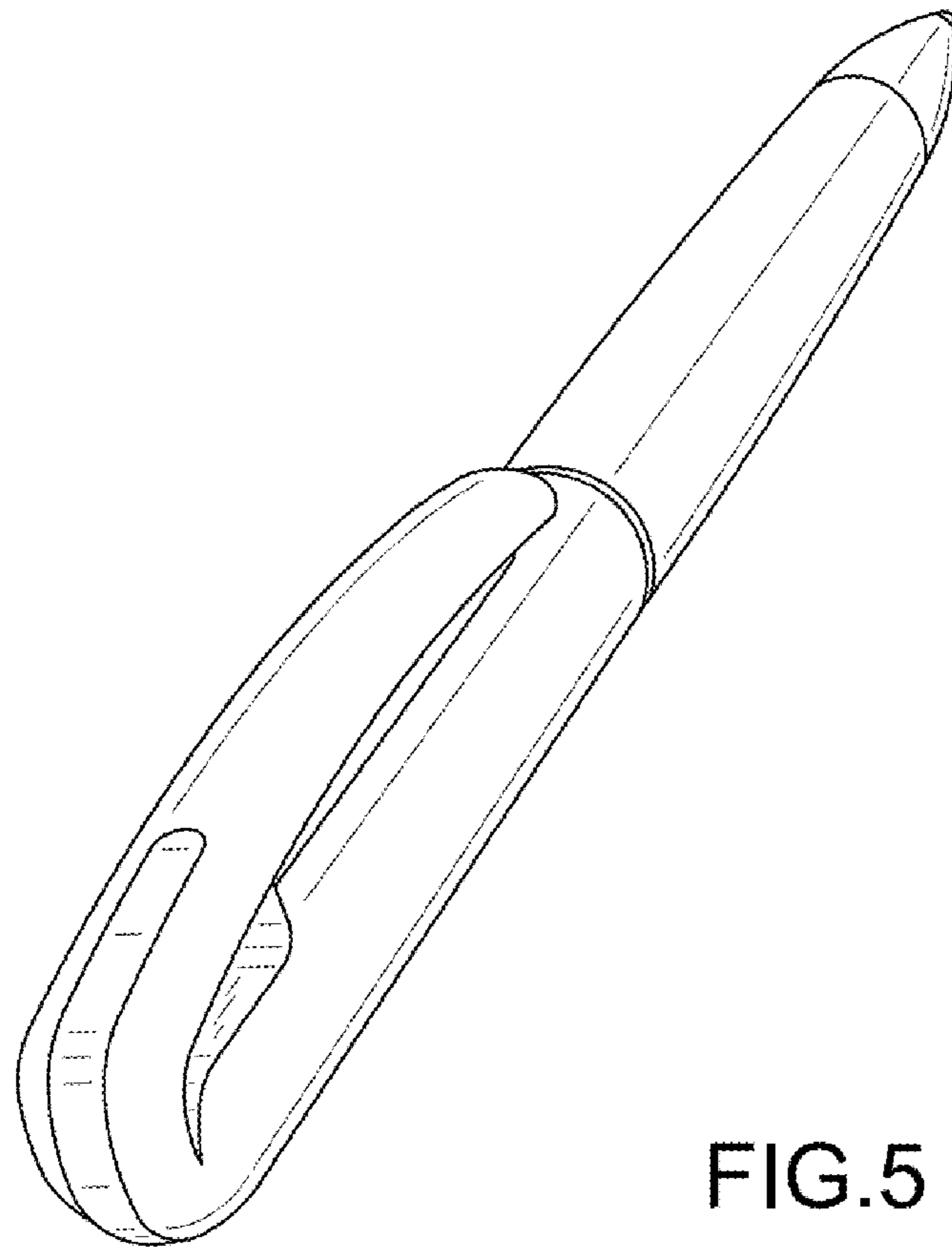
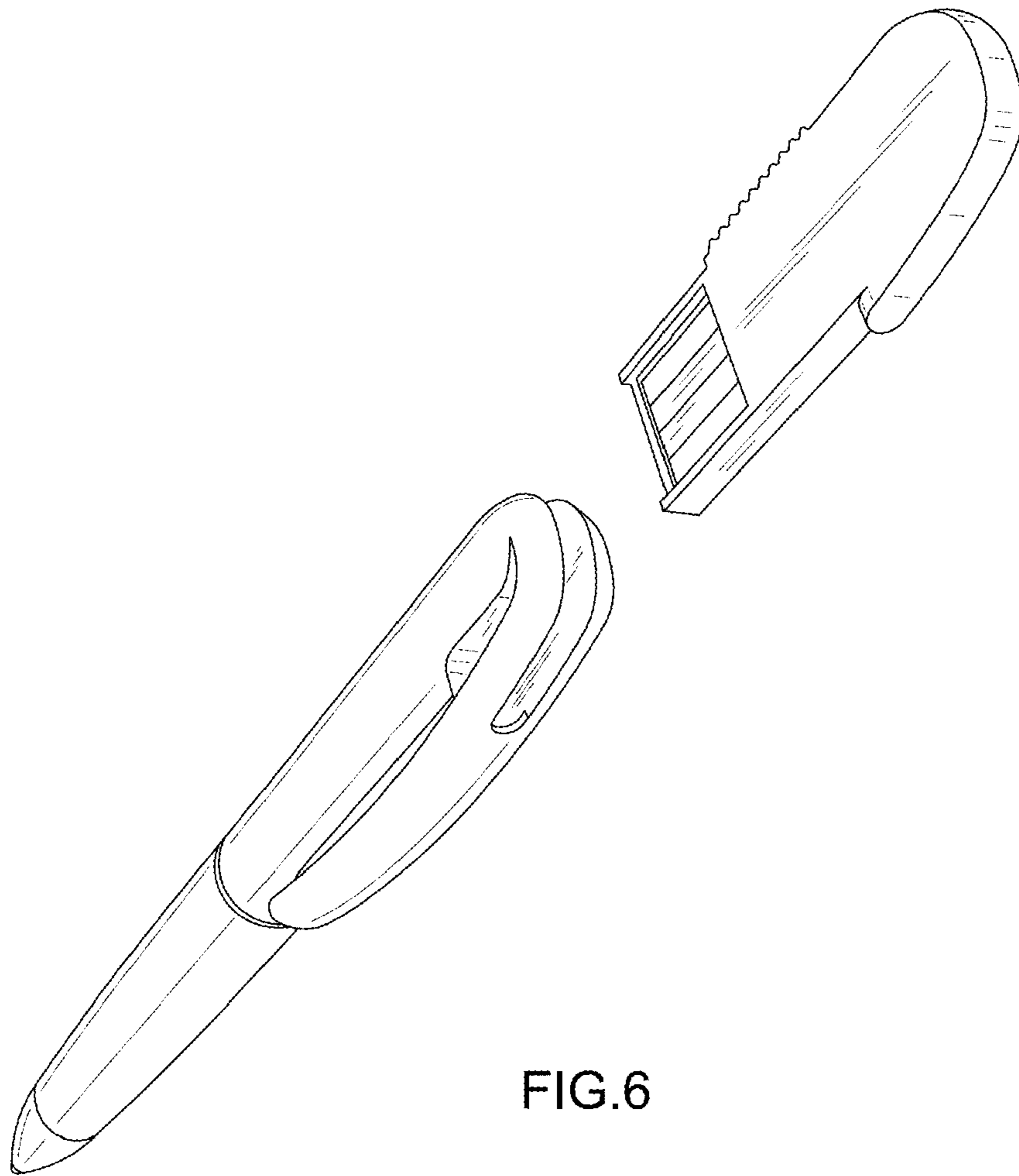


FIG.5



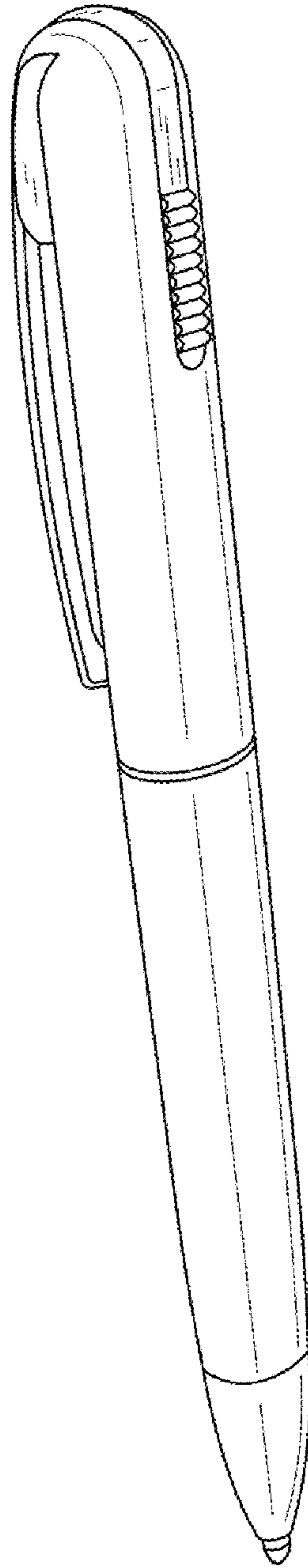


FIG. 7

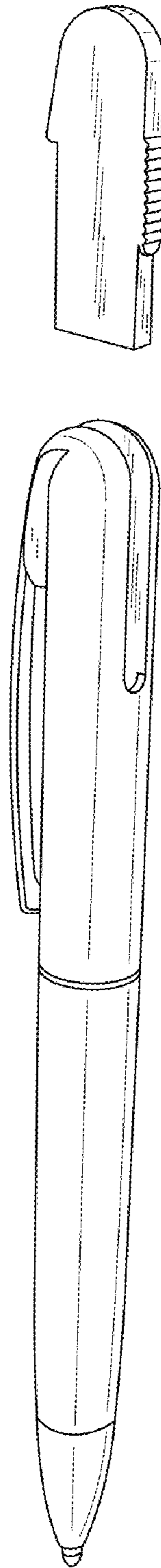


FIG.8