



US00D679717S

(12) **United States Design Patent**
Benois

(10) **Patent No.:** **US D679,717 S**

(45) **Date of Patent:** **** Apr. 9, 2013**

(54) **USB FLASH DRIVE**

(75) Inventor: **Laurent Benois**, Carrières sur Seine (FR)

(73) Assignee: **Linkeet**, Paris (FR)

(**) Term: **14 Years**

(21) Appl. No.: **29/411,198**

(22) Filed: **Jan. 18, 2012**

(30) **Foreign Application Priority Data**

Jul. 18, 2011 (EP) 001892647-0003

(51) **LOC (9) Cl.** **14-02**

(52) **U.S. Cl.** **D14/480.1; D14/436**

(58) **Field of Classification Search** D14/411,
D14/433, 435, 435.1, 436–438, 480.1–480.7,
D14/484.1, 137, 155, 203.1–203.8, 240;
D13/133, 146–147, 154; 710/300, 301; 439/131,
439/135–147; 361/679.31, 679.33, 679.4,
361/752; 711/100, 115
See application file for complete search history.

(56) **References Cited**

U.S. PATENT DOCUMENTS

D345,686	S	*	4/1994	Boehner	D8/347
D442,598	S	*	5/2001	Wallace et al.	D14/436
D447,481	S	*	9/2001	Wallace et al.	D14/436
D452,244	S	*	12/2001	Wallace et al.	D14/436
D452,245	S	*	12/2001	Wallace et al.	D14/436
D452,246	S	*	12/2001	Wallace et al.	D14/436
D526,651	S	*	8/2006	Hoogerdijk	D14/436
7,264,172	B2	*	9/2007	Amiot et al.	235/486
D553,130	S	*	10/2007	Fiorentino	D14/436
D558,199	S	*	12/2007	Fiorentino	D14/436
7,344,072	B2	*	3/2008	Gonzalez et al.	235/441
D568,388	S	*	5/2008	Hammad	D19/10
D590,400	S	*	4/2009	Hoogerdijk	D14/436
7,537,169	B2	*	5/2009	Gonzalez et al.	235/492
D647,097	S	*	10/2011	Tung et al.	D14/480.1
D656,139	S	*	3/2012	Schlossstein	D14/480.1
D656,141	S	*	3/2012	Schlossstein	D14/480.1

D656,148	S	*	3/2012	Schlossstein	D14/480.6
D658,665	S	*	5/2012	Akana et al.	D14/480.1
D659,149	S	*	5/2012	Andre	D14/480.6
D659,150	S	*	5/2012	Andre	D14/480.7

OTHER PUBLICATIONS

OCZ Technology | Products | Flash Media | OCZ Ultra-Slim, Large-Capacity Mega-Kart USB 2.0 Flash Card, Web Archive [online] Oct. 4, 2006 [retrieved on Jul. 6, 2007]. Retrieved from the Internet <URL: http://web.archive.org/web/20061004132947/http://www.ocz.com/cz_ultra_slim-large_capacity_mega_kart_usb_2_0_flash_card>.*

USB Stick in Credit Card Size at Random Good Stuff—The Entertainment Blog, Web Archive [online] Mar. 17, 2007 [retrieved on Jul. 11, 2007]. Retrieved from the Internet <URL: <http://web.archive.org/web/20070317025112/http://www.random-good-stuff.com/index.php/2006/02/07/usb-stick-in-credit-card-size/>>.*

* cited by examiner

Primary Examiner — Karen E Kearney

(74) *Attorney, Agent, or Firm* — Jordan IP Law, LLC; Todd A. Vaughn

(57) **CLAIM**

The ornamental design for a USB flash drive, as shown and described.

DESCRIPTION

FIG. 1 is a bottom, rear perspective view of a USB flash drive in an extracted position.

FIG. 2 is a bottom, rear perspective view of a USB flash drive in an inserted position.

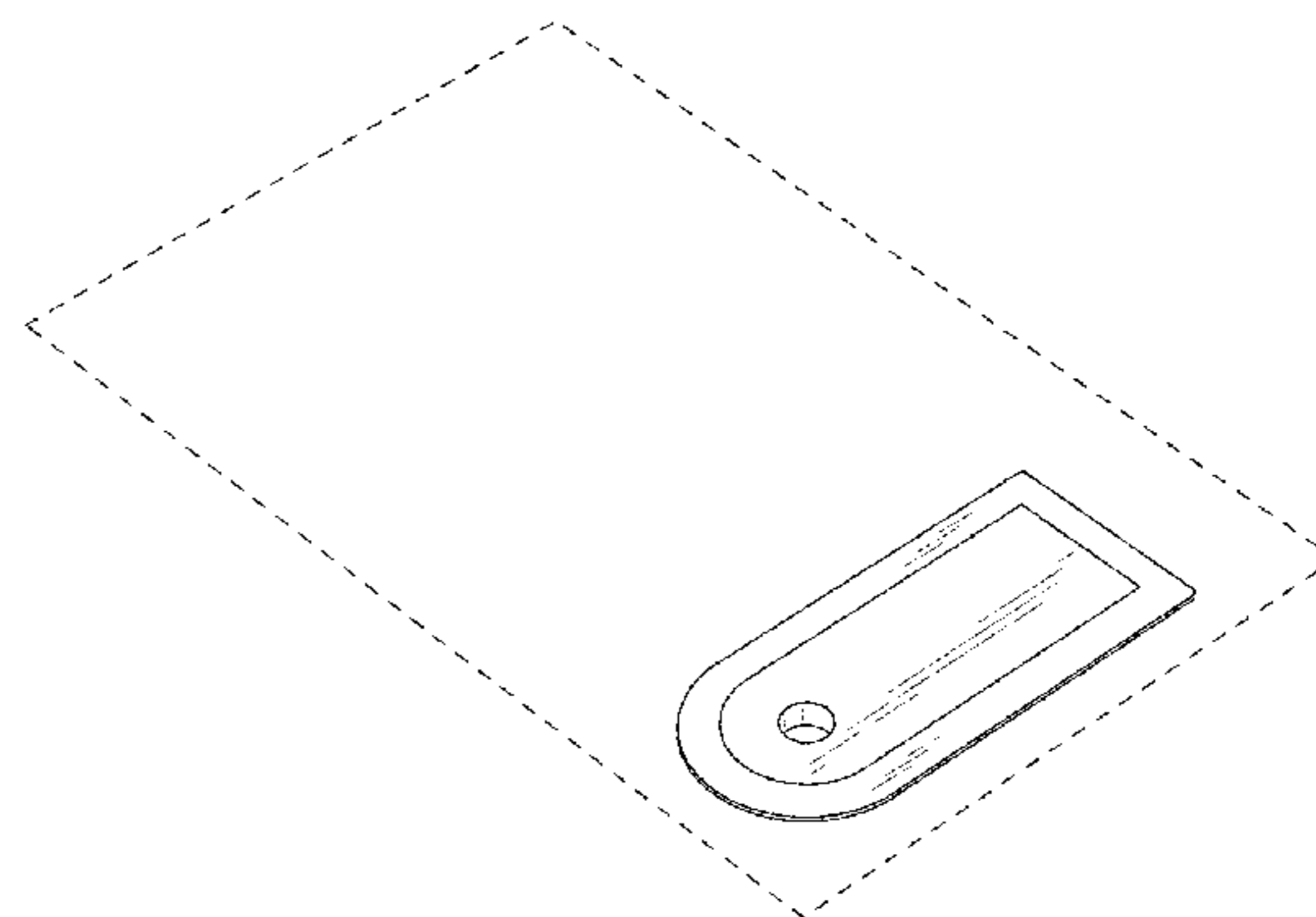
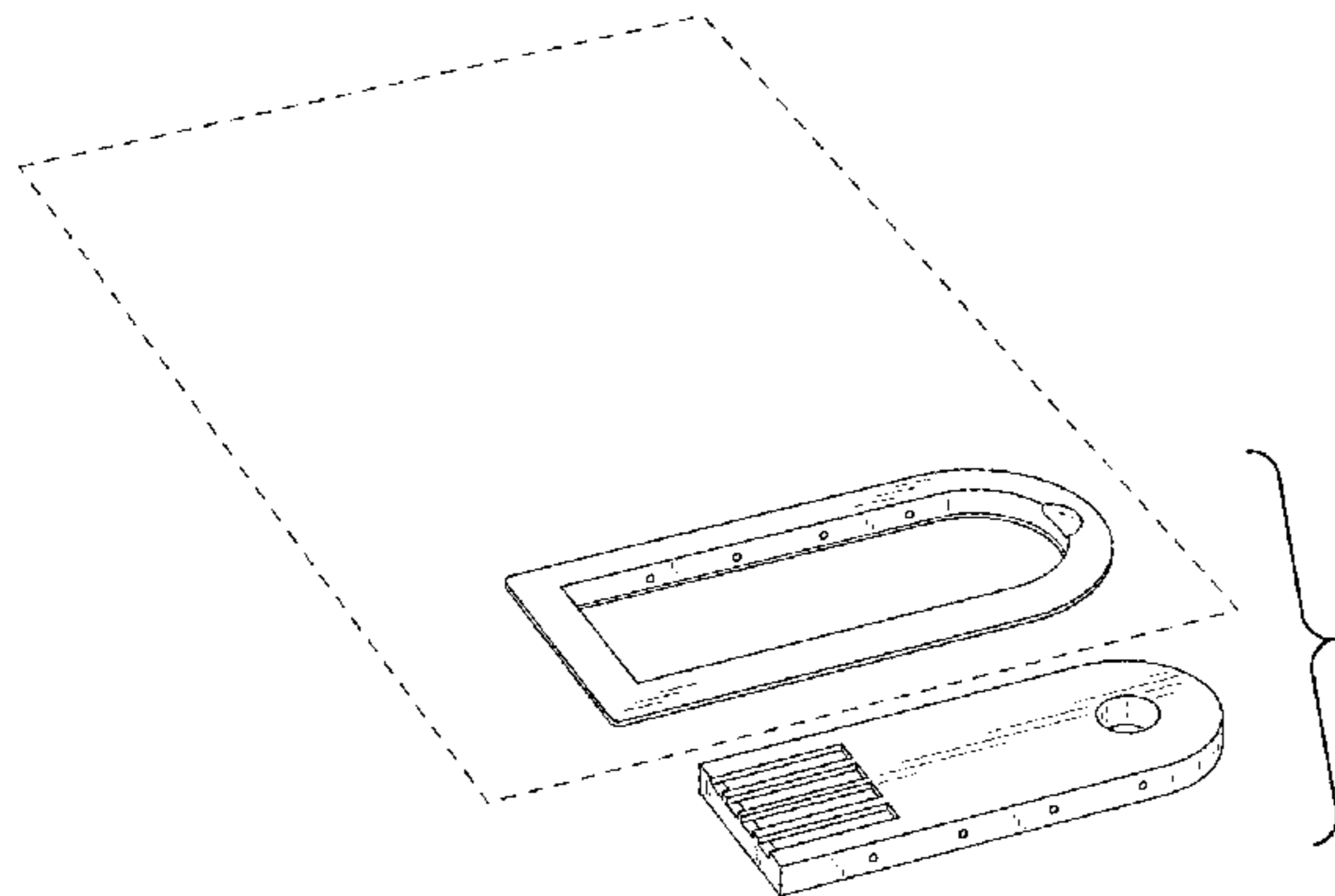
FIG. 3 is an exploded, top, front perspective view of a USB flash drive.

FIG. 4 is a top, front perspective view of a USB flash drive in an extracted position; and,

FIG. 5 is a top, front perspective view of a USB flash drive in an inserted position.

The broken line showing is included for the purpose of illustrating environmental structure and forms no part of the claimed design.

1 Claim, 3 Drawing Sheets



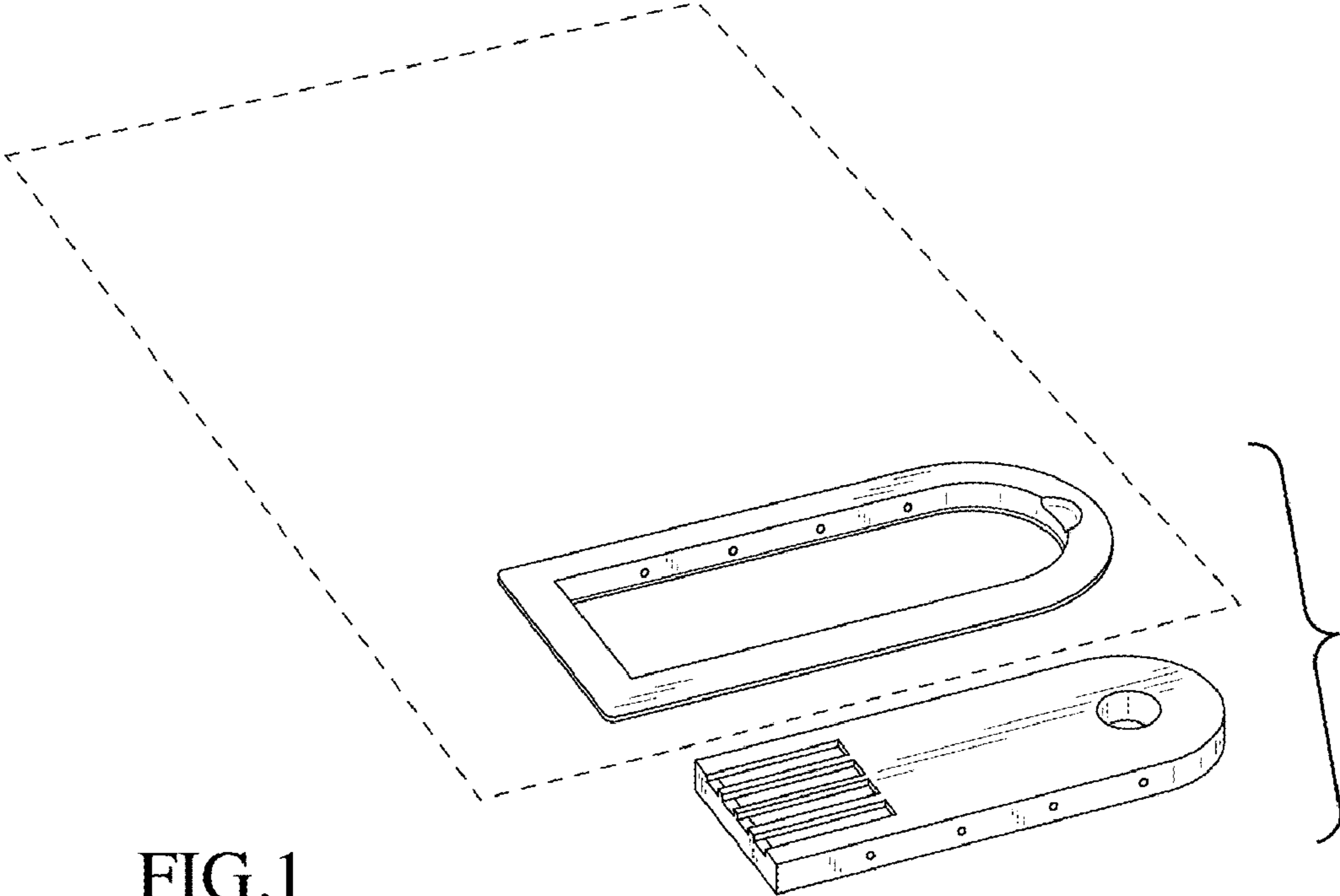


FIG.1

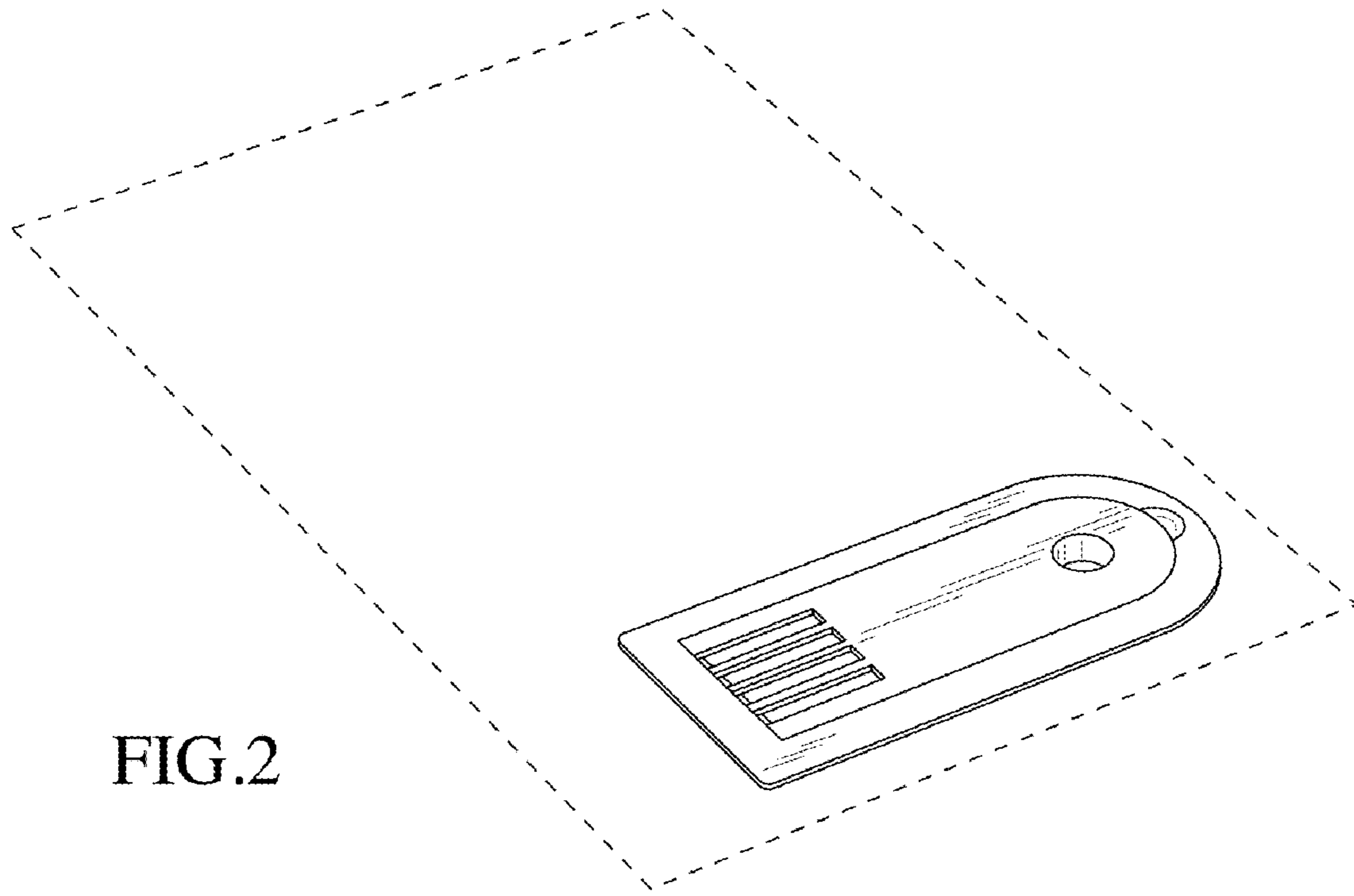


FIG. 2

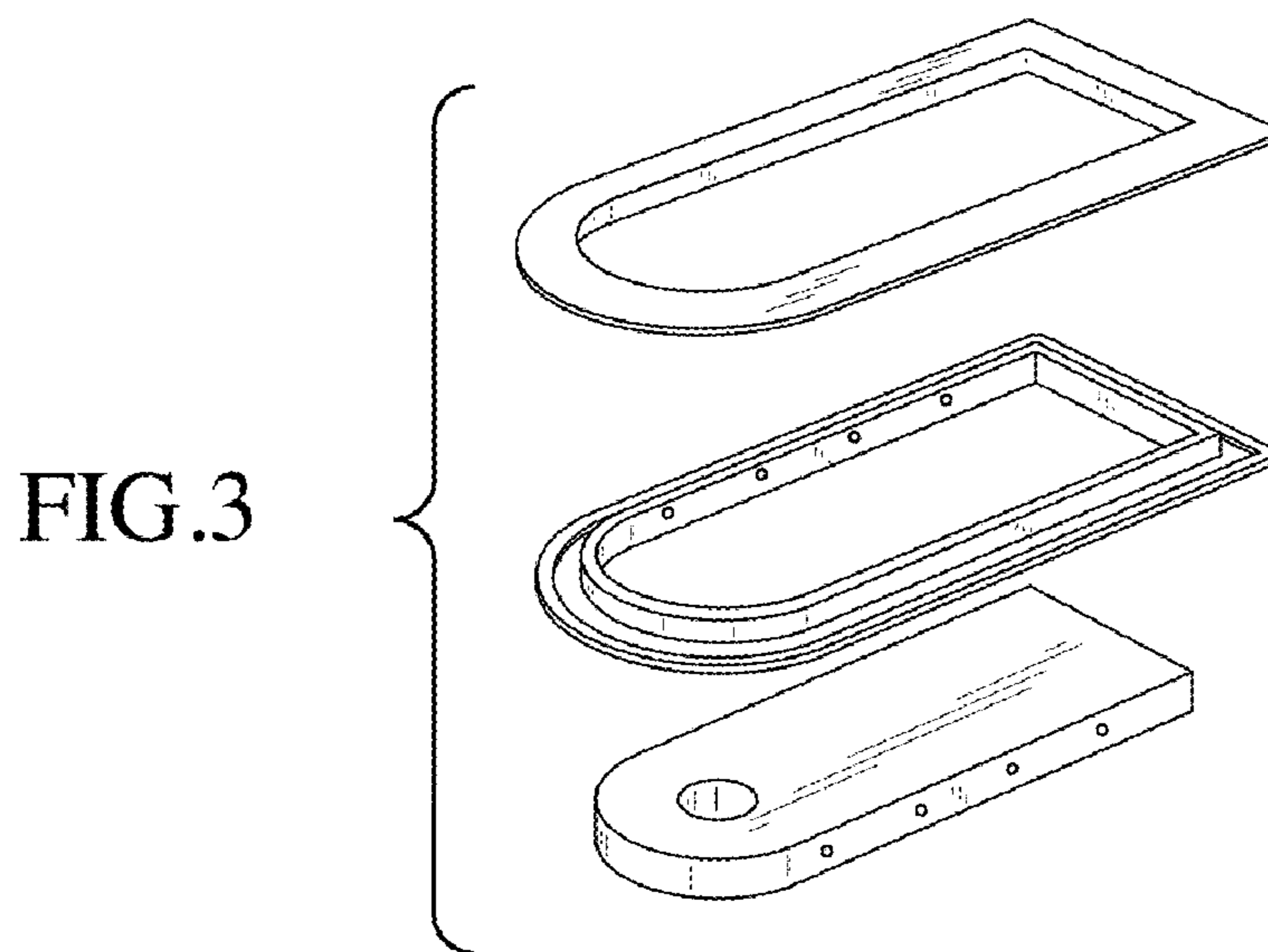


FIG. 3

