



US00D679716S

(12) **United States Design Patent**
Mo

(10) **Patent No.:** **US D679,716 S**

(45) **Date of Patent:** **** Apr. 9, 2013**

(54) **UNIVERSAL TABLET HOLDER**

(56) **References Cited**

(75) Inventor: **Kawing Mo**, Temple City, CA (US)

U.S. PATENT DOCUMENTS

(73) Assignee: **Arkon Resources, Inc.**, Arcadia, CA (US)

D549,709	S	*	8/2007	Richter	D14/447
D558,771	S	*	1/2008	Derry et al.	D14/447
D564,220	S	*	3/2008	Dixon	D3/218
D603,322	S	*	11/2009	Nicieja	D12/415
D626,129	S	*	10/2010	Lutz	D14/447
D630,222	S	*	1/2011	Lin	D14/447
D640,707	S	*	6/2011	Yeh	D14/447
D641,610	S	*	7/2011	Sedalo	D8/354
D646,674	S	*	10/2011	Liao	D14/253
D650,774	S	*	12/2011	Molter	D14/239
D658,169	S	*	4/2012	Mo	D14/253
D658,651	S	*	5/2012	Lee et al.	D14/452
2008/0198543	A1	*	8/2008	Lord	361/683

(**) Term: **14 Years**

(21) Appl. No.: **29/374,545**

(22) Filed: **Aug. 30, 2011**

(51) **LOC (9) Cl.** **08-07**

(52) **U.S. Cl.**
USPC **D14/447**

(58) **Field of Classification Search** D14/447,
D14/432, 433, 434, 439, 440, 451, 452, 457,
D14/239, 251, 253, 217, 374, 375, 376, 377,
D14/902; D12/415, 416; D3/218, 274, 318,
D3/321, 328; D6/406.3, 406.4; 190/117;
361/679.03, 679.09, 679.05, 679.26, 679.3,
361/679.55, 679.56; 248/176.1, 917, 918,
248/919, 920, 921, 922, 923, 924, 682, 689,
248/690, 691, 692, 441.1, 444, 447, 451,
248/460, 463, 118, 118.5, 149, 150, 166,
248/434

* cited by examiner

Primary Examiner — Angela J Lee

(74) *Attorney, Agent, or Firm* — James E. Brunton

(57) **CLAIM**

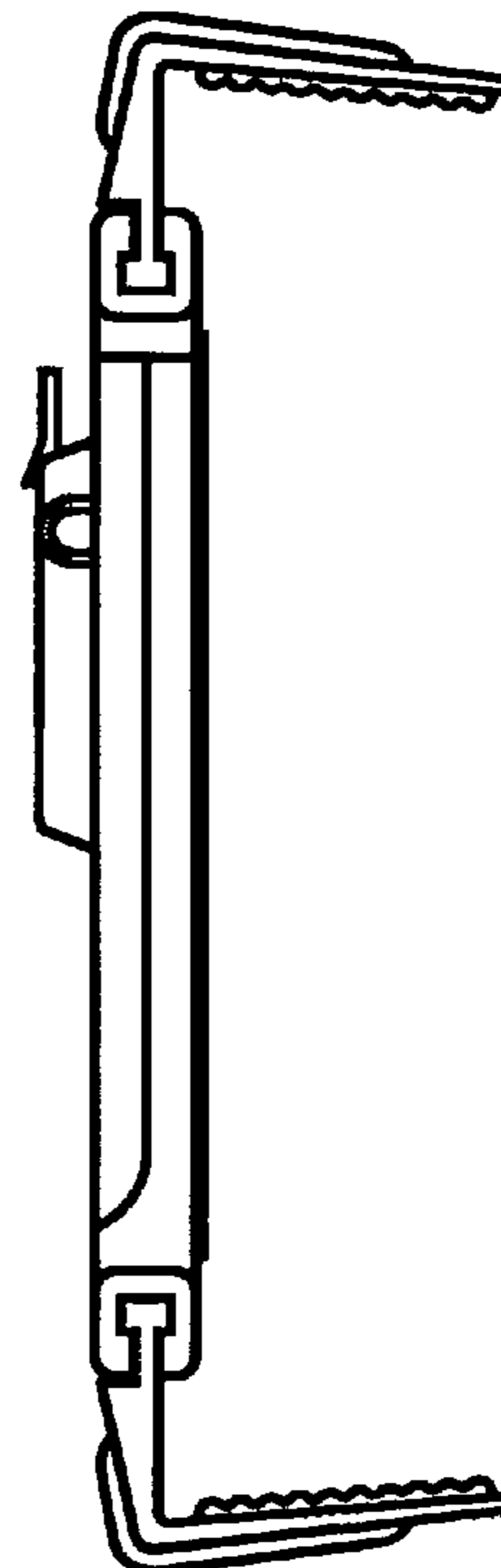
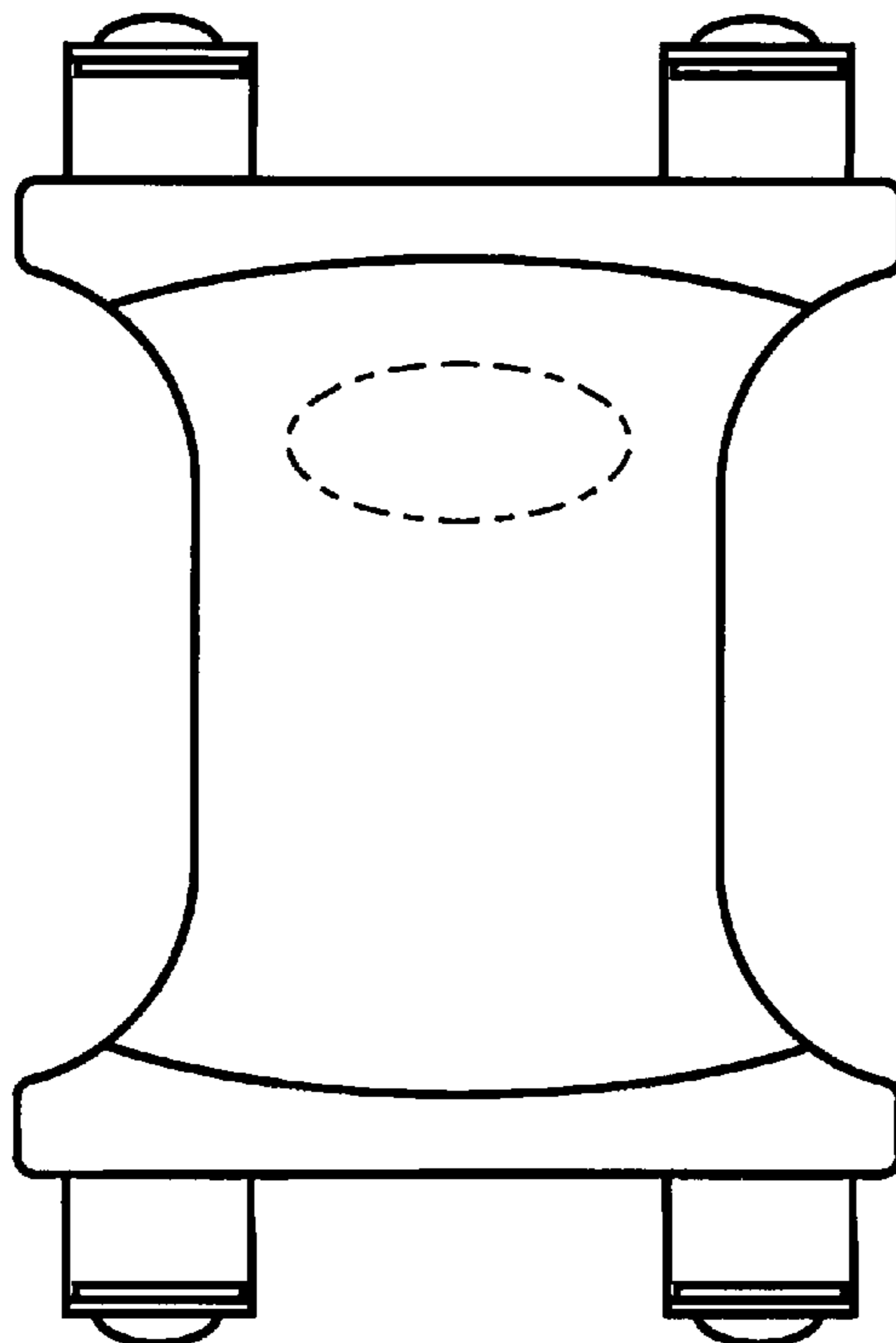
The ornamental design for a “universal tablet holder”, as shown and described.

DESCRIPTION

FIG. 1 is a front view of a “universal tablet holder” showing my new design;
FIG. 2 is a rear view thereof;
FIG. 3 is a side view thereof, the opposite side being identical thereto;
FIG. 4 is a top plan view thereof; and,
FIG. 5 is a bottom plan view thereof.

See application file for complete search history.

1 Claim, 2 Drawing Sheets



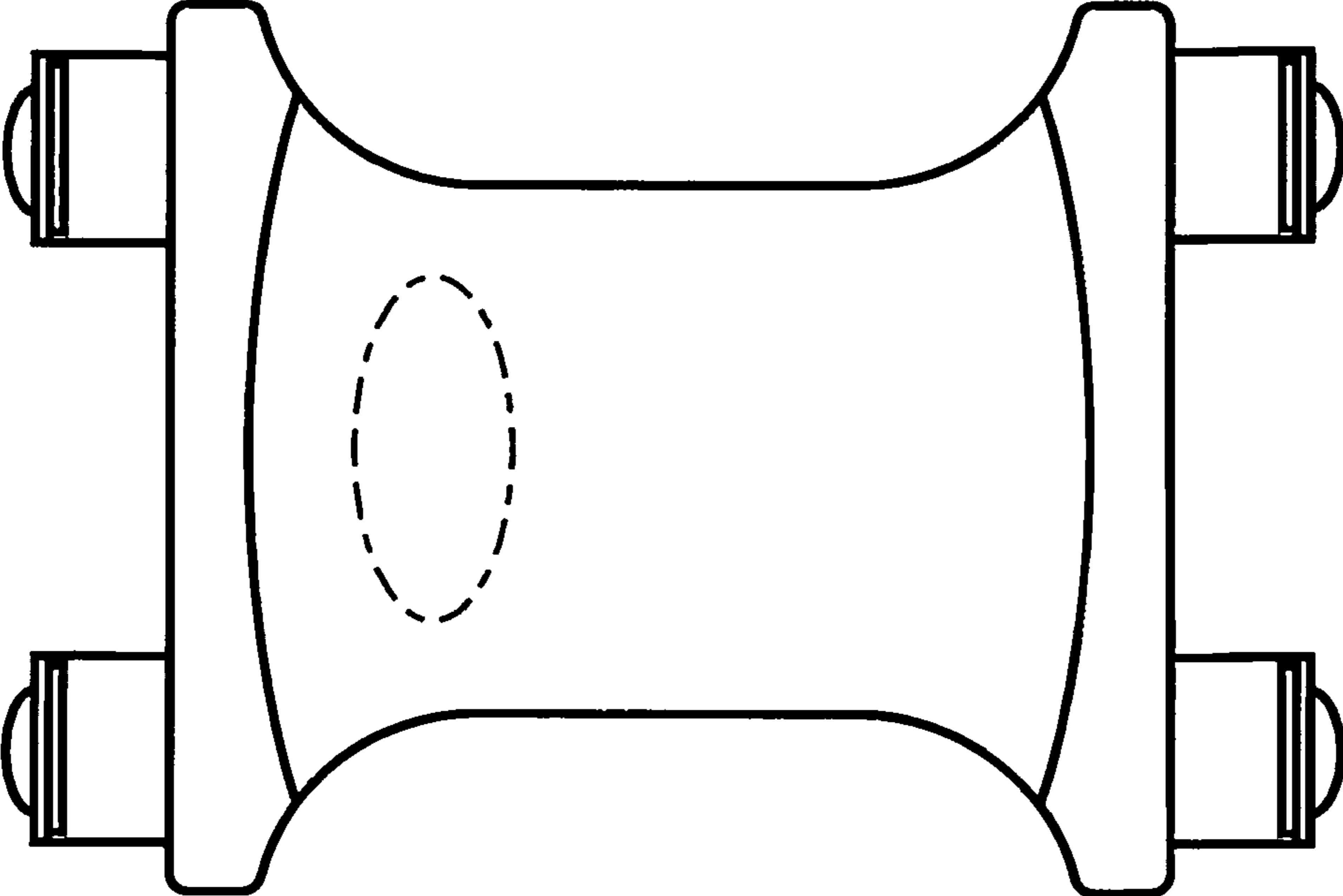


FIG. 1

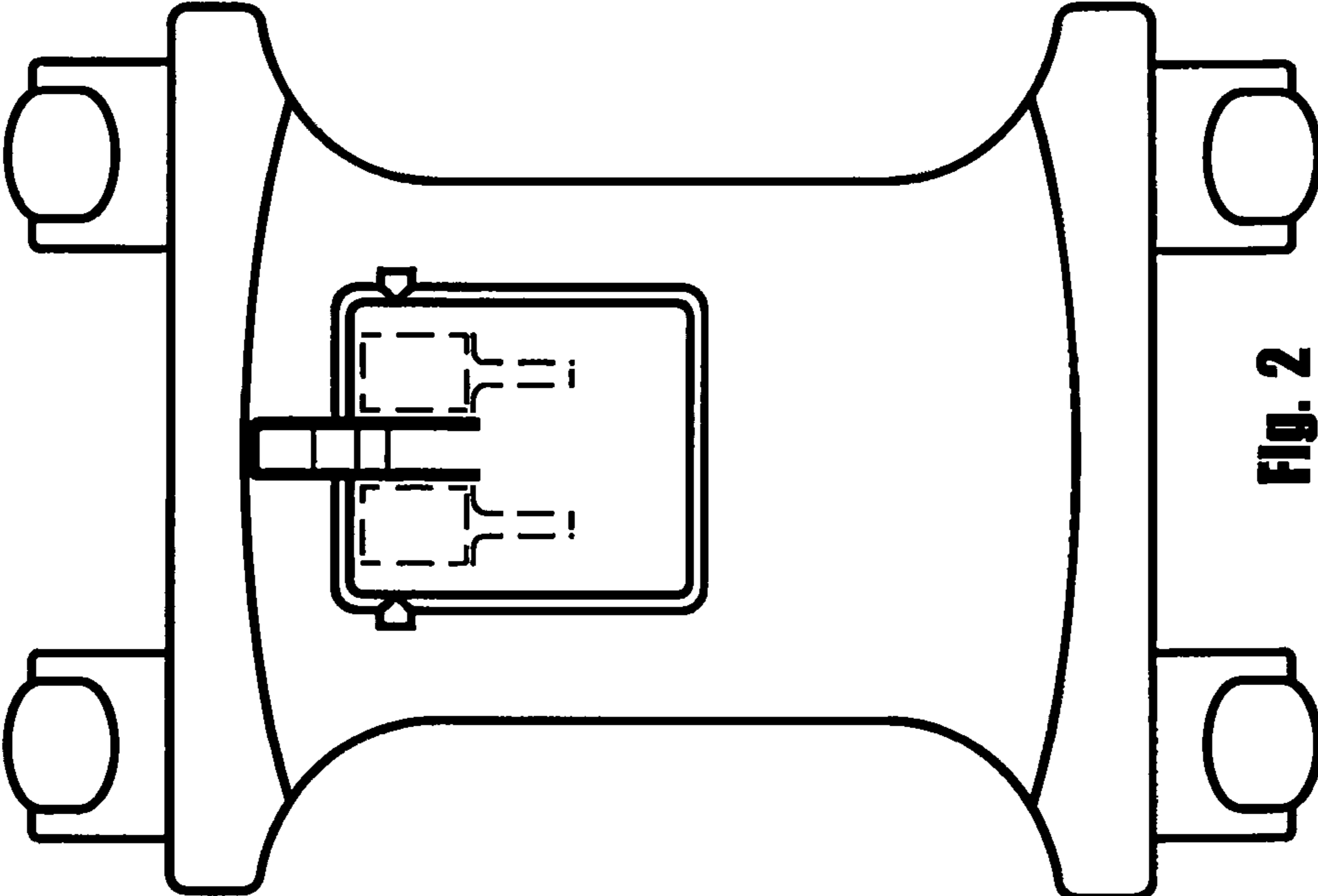


FIG. 2

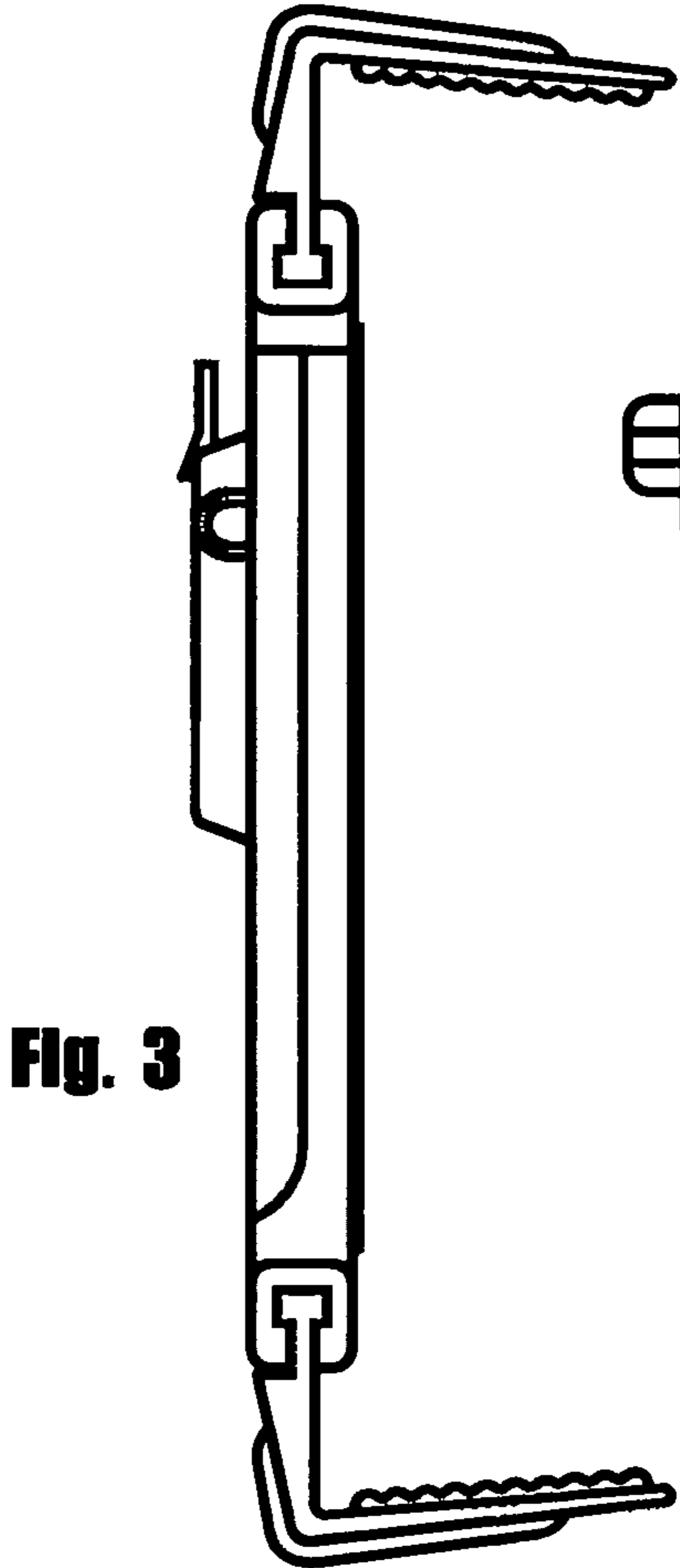


Fig. 3

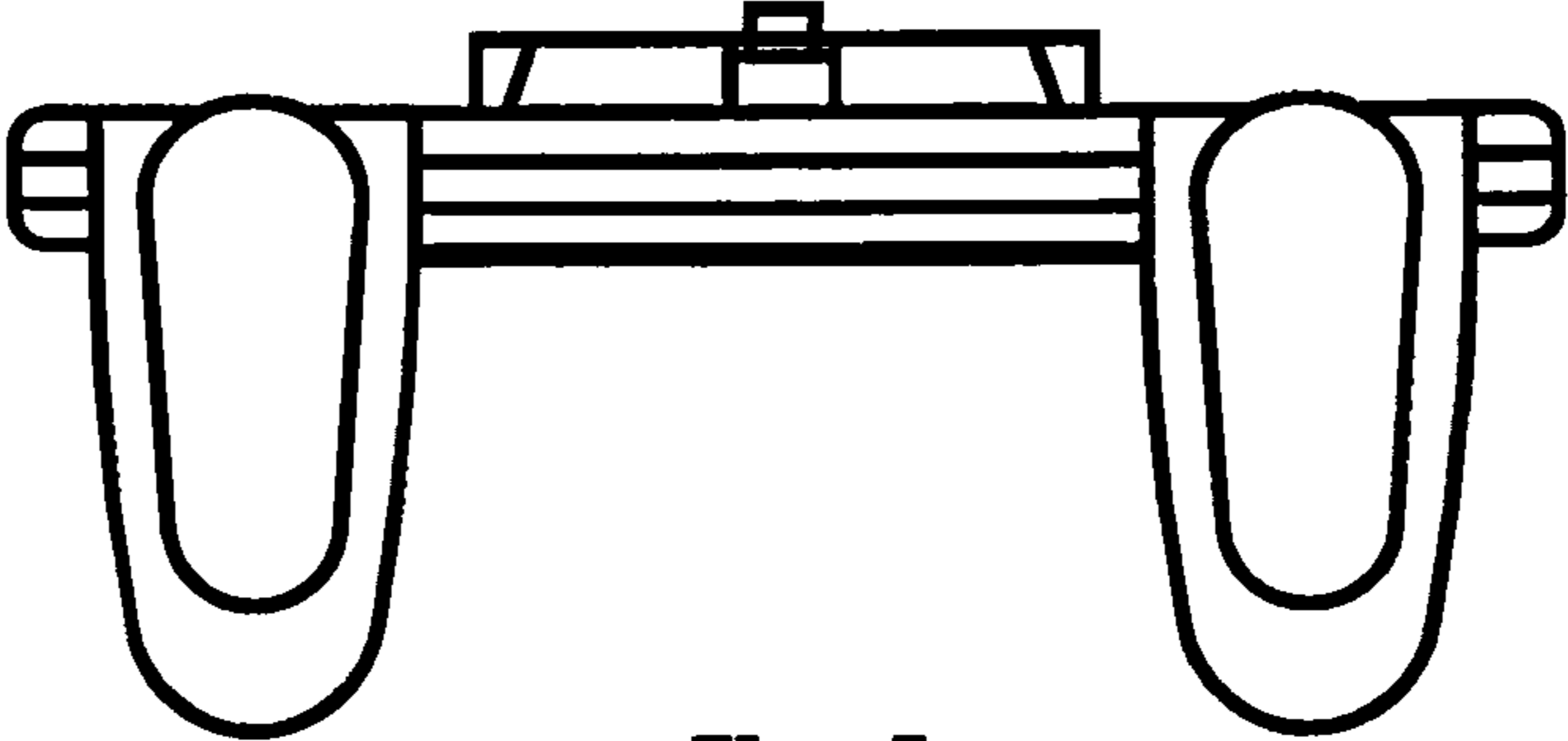


Fig. 4

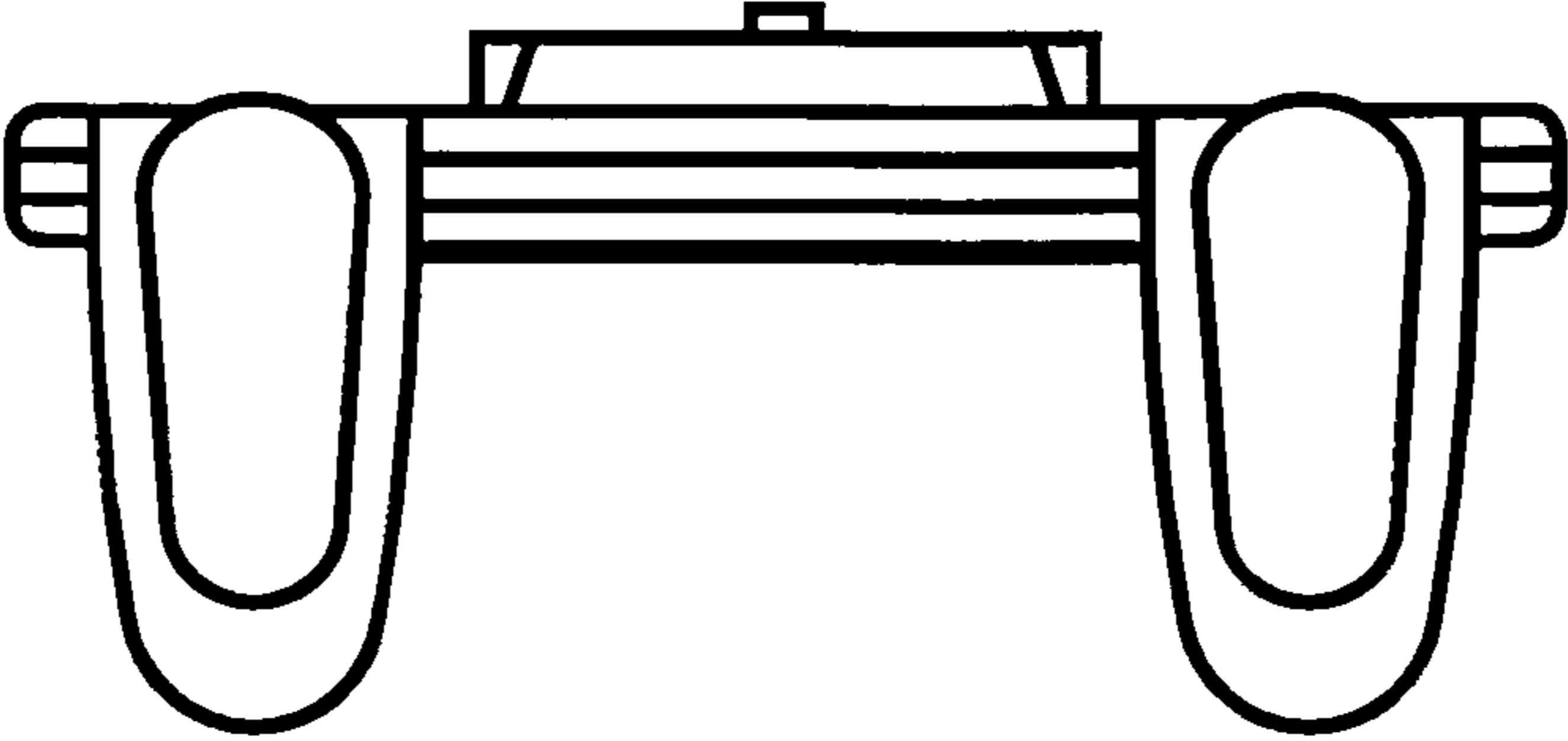


Fig. 5