



US00D679715S

(12) **United States Design Patent**  
**Akana et al.**

(10) **Patent No.:** **US D679,715 S**  
(45) **Date of Patent:** **\*\* Apr. 9, 2013**

(54) **PACKAGING**

(56) **References Cited**

(75) Inventors: **Jody Akana**, San Francisco, CA (US);  
**Bartley K. Andre**, Menlo Park, CA  
(US); **Jeremy Bataillou**, San Francisco,  
CA (US); **Daniel J. Coster**, San  
Francisco, CA (US); **Daniele De Iuliis**,  
San Francisco, CA (US); **Evans**  
**Hankey**, San Francisco, CA (US);  
**Julian Hoenig**, San Francisco, CA (US);  
**Richard P. Howarth**, San Francisco, CA  
(US); **Jonathan P. Ive**, San Francisco,  
CA (US); **Duncan Robert Kerr**, San  
Francisco, CA (US); **Shin Nishibori**,  
Portola Valley, CA (US); **Matthew Dean**  
**Rohrbach**, San Francisco, CA (US);  
**Peter Russell-Clarke**, San Francisco,  
CA (US); **Christopher J. Stringer**,  
Woodside, CA (US); **Eugene Antony**  
**Whang**, San Francisco, CA (US); **Rico**  
**Zorkendorfer**, San Francisco, CA (US)

U.S. PATENT DOCUMENTS

D114,891	S	5/1939	Fogel	
2,354,782	A *	8/1944	Stradling et al. ....	281/16
D162,551	S	3/1951	Levine	
D167,689	S	9/1952	Hommer	
D222,602	S	11/1971	Petrie	
4,106,597	A	8/1978	Shook et al.	
D251,082	S	2/1979	Petrie	
D255,523	S	6/1980	Yarabinec	
4,629,070	A	12/1986	Roberg	
4,703,160	A *	10/1987	Narishima et al. ....	235/1 D
4,718,550	A *	1/1988	Johnson .....	206/387.13
D341,373	S	11/1993	Stern	
5,295,580	A	3/1994	Hicks	
D356,120	S	3/1995	Allen	
D364,191	S	11/1995	Allen	
D391,298	S	2/1998	Johnson et al.	
D396,154	S	7/1998	Matthews	
D418,867	S	1/2000	Platte, III	
6,305,539	B1	10/2001	Sanders, Jr.	

(Continued)

OTHER PUBLICATIONS

Incase, "Convertible Magazine Jacket." goincase.com, accessed at  
<http://goincasing.com/products/detail/convertible-magazine-jacket-c157779/2>, Mar. 14, 2012, 4 pages.

*Primary Examiner* — Cynthia Underwood

(74) *Attorney, Agent, or Firm* — Sterne, Kessler, Goldstein  
& Fox P.L.L.C.

(73) Assignee: **Apple Inc.**, Cupertino, CA (US)

(\*\*) Term: **14 Years**

(21) Appl. No.: **29/387,400**

(22) Filed: **Mar. 11, 2011**

**Related U.S. Application Data**

(63) Continuation-in-part of application No. 29/375,197,  
filed on Sep. 17, 2010, now Pat. No. Des. 658,186.

(51) **LOC (9) Cl.** ..... **04-02**

(52) **U.S. Cl.** ..... **D14/440**

(58) **Field of Classification Search** ..... D14/250,  
D14/251, 253, 240, 217, 496, 440, 203.3,  
D14/203.4, 203.5, 203.8, 432, 439, 300;  
D3/218, 215, 201; 220/4.02; 248/309.1;  
361/679.56, 679.03; 379/426, 433.11, 455;  
455/575.1, 575.8; 190/100; 206/305, 320

See application file for complete search history.

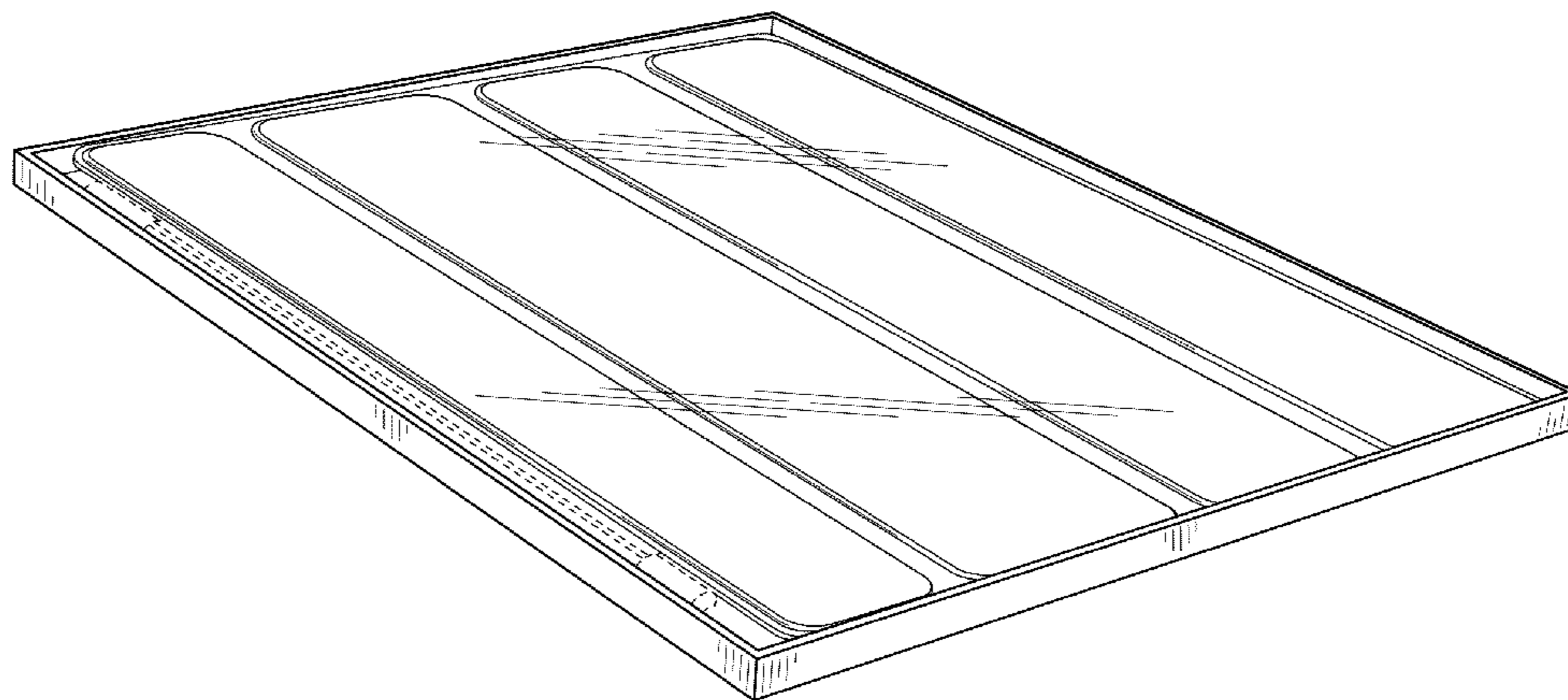
**CLAIM**

(57) The ornamental design for packaging, as shown and  
described.

**DESCRIPTION**

FIG. 1 is a front view of packaging showing our new design;  
FIG. 2 is a back view thereof;  
FIG. 3 is a left side view thereof;  
FIG. 4 is a right side view thereof;  
FIG. 5 is a top view thereof;  
FIG. 6 is a bottom view thereof; and,  
FIG. 7 is a perspective view thereof.  
The broken lines are for illustrative purposes only and form  
no part of the claim.

**1 Claim, 4 Drawing Sheets**



# US D679,715 S

Page 2

## U.S. PATENT DOCUMENTS

D449,927 S	11/2001	Dorizas	
D466,356 S *	12/2002	Marsilio	D6/632
D469,438 S *	1/2003	Corrales	D14/432
D471,008 S *	3/2003	Dubone	D3/247
D478,623 S *	8/2003	Wilburn	D19/26
6,646,672 B2 *	11/2003	Feierbach	348/14.02
D504,889 S	5/2005	Andre et al.	
7,037,021 B2	5/2006	Raschke	
D546,878 S *	7/2007	Bharma	D19/26
D558,571 S	1/2008	Andre et al.	
D558,572 S	1/2008	Andre et al.	
7,316,318 B1	1/2008	Rosten et al.	
7,318,521 B2 *	1/2008	Lau	206/45.24
D580,752 S	11/2008	Andre et al.	
D581,865 S *	12/2008	Koza	D13/102
D582,267 S	12/2008	Andre et al.	
D584,142 S	1/2009	Andre et al.	
D584,314 S *	1/2009	Davis et al.	D14/440
7,542,052 B2 *	6/2009	Solomon et al.	345/659
D596,485 S	7/2009	Andre et al.	
D603,906 S	11/2009	Miller et al.	
D609,226 S *	2/2010	Hofer et al.	D14/248
D616,741 S	6/2010	Andre et al.	
D620,795 S	8/2010	Andre et al.	
D621,256 S	8/2010	Andre et al.	
D624,403 S	9/2010	Hansen et al.	
D624,615 S *	9/2010	Kusmierz	D21/686
D627,777 S	11/2010	Akana et al.	
D628,197 S *	11/2010	Li	D14/324
D633,388 S	3/2011	Andre et al.	
D635,455 S	4/2011	Andre et al.	
D635,853 S	4/2011	Andre et al.	
D637,596 S	5/2011	Akana et al.	
8,016,107 B2 *	9/2011	Emsky	206/320
D646,266 S *	10/2011	Kim et al.	D14/250
D648,529 S *	11/2011	Brown	D3/269
D654,069 S *	2/2012	Kwon et al.	D14/250
8,132,670 B1 *	3/2012	Chen	206/320
D658,187 S *	4/2012	Diebel	D14/440
D658,188 S *	4/2012	Diebel	D14/440
D659,139 S *	5/2012	Gengler	D14/392
D662,100 S *	6/2012	Van Den Nieuwenhuizen et al.	D14/440
D662,503 S *	6/2012	Akana et al.	D14/439
D663,304 S *	7/2012	Akana et al.	D14/440
8,230,992 B2 *	7/2012	Law et al.	206/320
D665,809 S *	8/2012	Wang et al.	D14/439
8,235,208 B2 *	8/2012	Sirichai et al.	206/320
8,245,843 B1 *	8/2012	Wu	206/320
2009/0194209 A1 *	8/2009	De Filippis et al.	150/107
2010/0289390 A1 *	11/2010	Kenney	312/223.1
2012/0043231 A1 *	2/2012	Perrier et al.	206/216
2012/0170212 A1 *	7/2012	Gallouzi et al.	361/679.56
2012/0194448 A1 *	8/2012	Rothkopf	345/173
2012/0212896 A1 *	8/2012	Schulz	361/679.02

\* cited by examiner

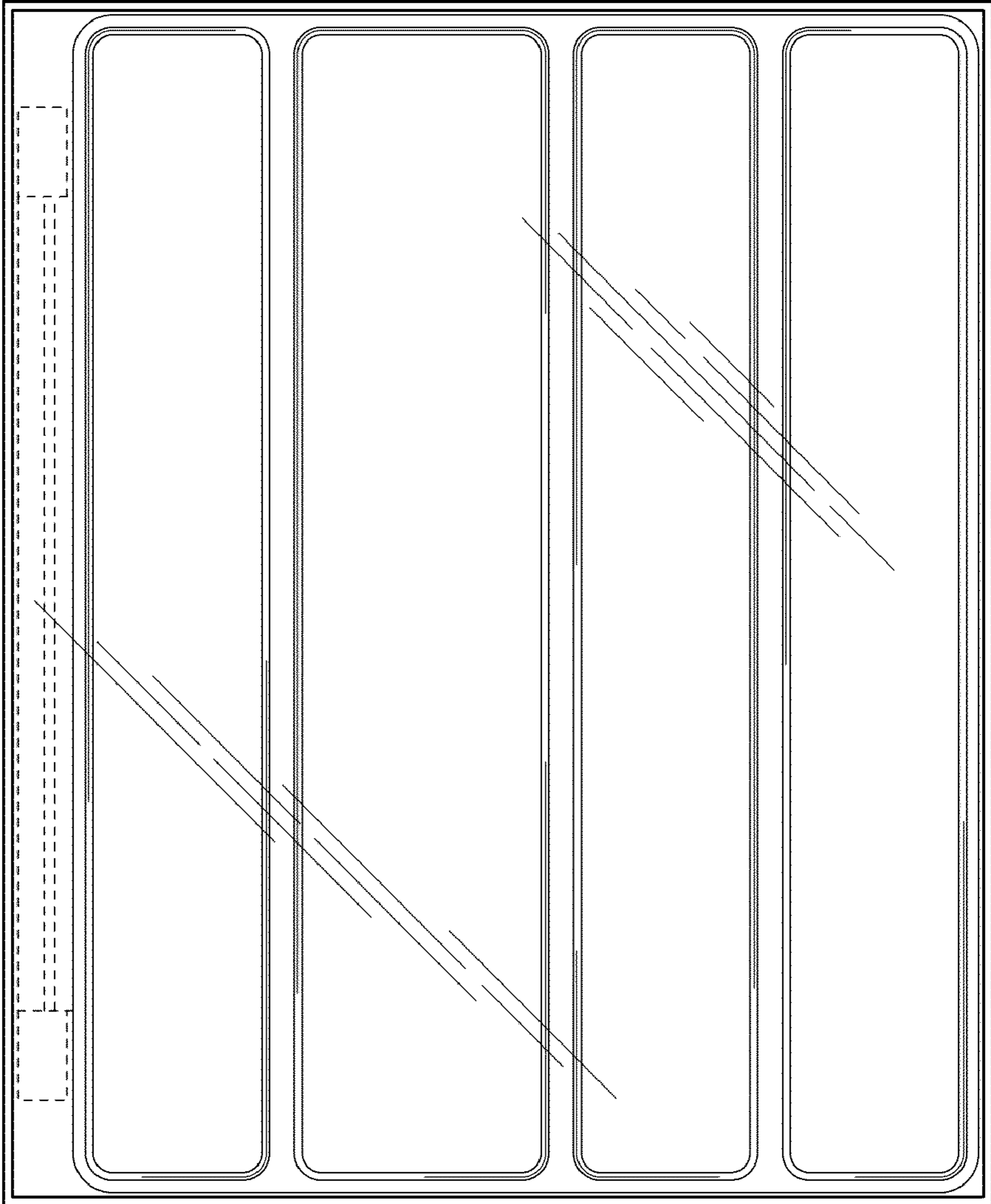
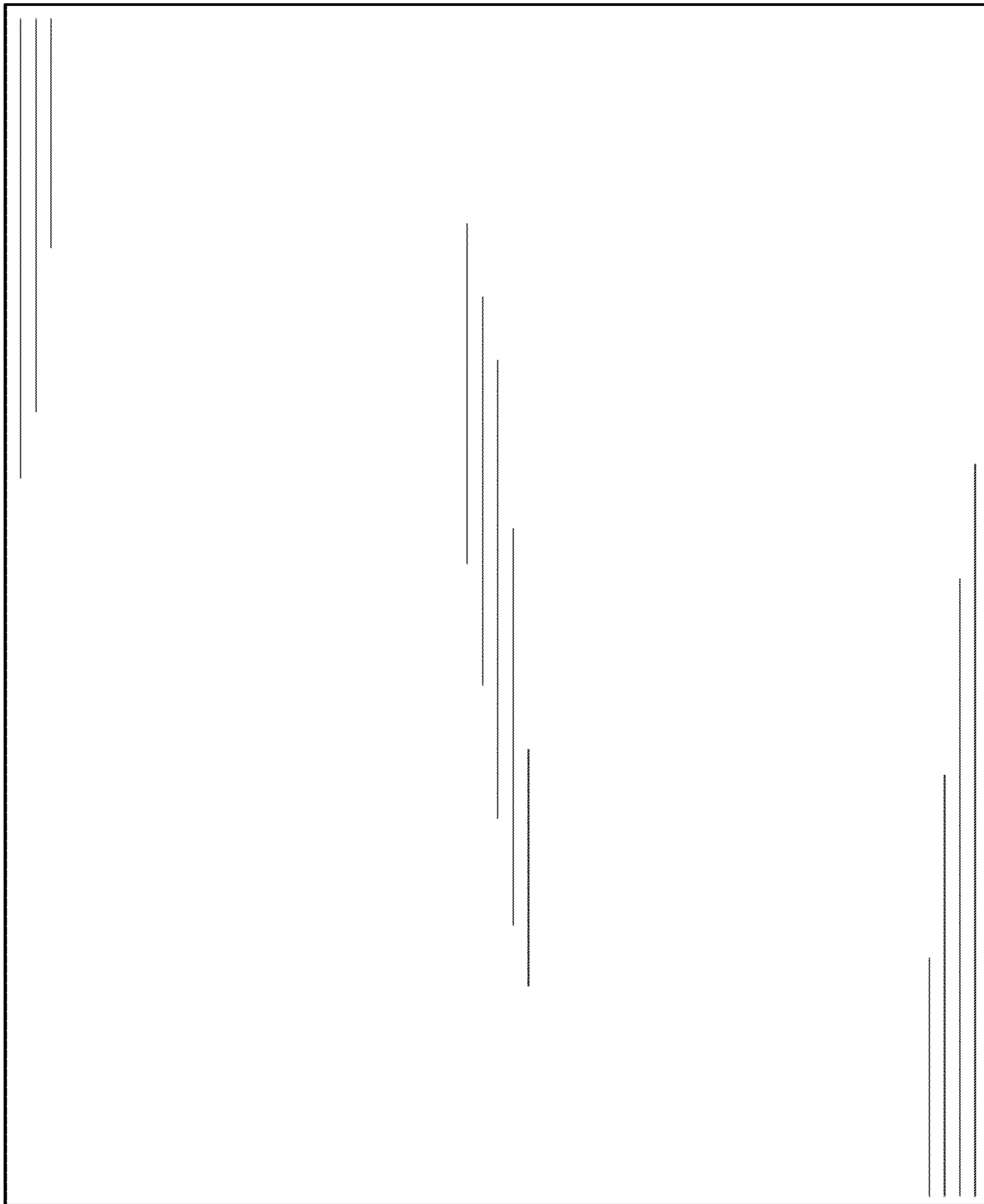


FIG. 1



**FIG. 2**



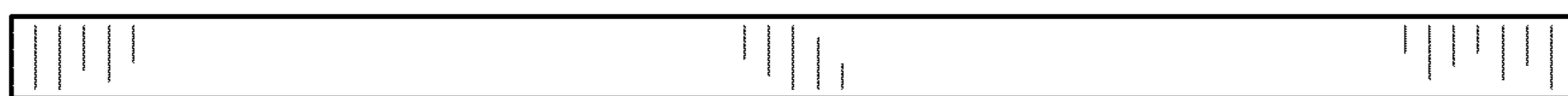
**FIG. 3**



**FIG. 4**



**FIG. 5**



**FIG. 6**

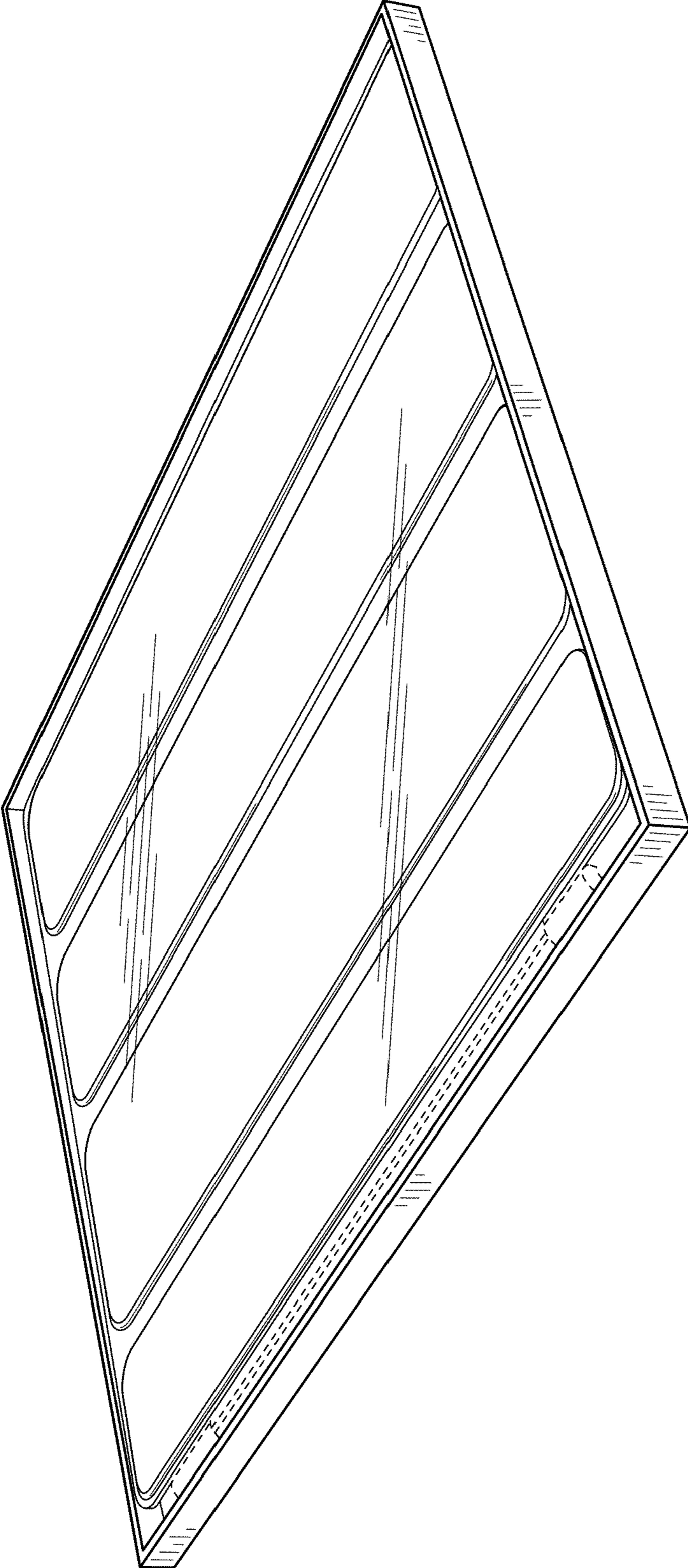


FIG. 7