



US00D679714S

(12) **United States Design Patent**  
**Smith et al.**

(10) **Patent No.:** **US D679,714 S**

(45) **Date of Patent:** **\*\* Apr. 9, 2013**

(54) **HANDHELD ELECTRONIC DEVICE SHELL**

(75) Inventors: **Dustin Jonathan Smith**, Waterloo (CA);  
**Todd Andrew Wood**, Toronto (CA);  
**Anders Fahrendorff**, Ottawa (CA)

(73) Assignee: **Research In Motion Limited**, Waterloo,  
Ontario (CA)

(\*\*) Term: **14 Years**

(21) Appl. No.: **29/385,036**

(22) Filed: **Feb. 8, 2011**

(51) **LOC (9) Cl.** ..... **14-02**

(52) **U.S. Cl.** ..... **D14/440**

(58) **Field of Classification Search** ..... D14/250,  
D14/251, 253, 240, 217, 496, 440, 203.3,  
D14/203.4, 203.5, 203.8, 432, 439, 300;  
D3/218, 215, 201; 220/4.02; 248/309.1;  
361/679.56; 379/426, 433.11, 455; 455/575.1,  
455/575.8; 190/100; 206/305, 320

See application file for complete search history.

(56) **References Cited**

**U.S. PATENT DOCUMENTS**

D469,438 S \* 1/2003 Corrales ..... D14/432  
7,542,052 B2 \* 6/2009 Solomon et al. .... 345/659  
D609,226 S \* 2/2010 Hofer et al. .... D14/248  
8,016,107 B2 \* 9/2011 Emsky ..... 206/320

D646,266 S \* 10/2011 Kim et al. .... D14/250  
D654,069 S \* 2/2012 Kwon et al. .... D14/250  
8,132,670 B1 \* 3/2012 Chen ..... 206/320  
D659,139 S \* 5/2012 Gengler ..... D14/392  
D662,503 S \* 6/2012 Akana et al. .... D14/439  
D665,809 S \* 8/2012 Wang et al. .... D14/439  
8,245,843 B1 \* 8/2012 Wu ..... 206/320  
2010/0289390 A1 \* 11/2010 Kenney ..... 312/223.1

\* cited by examiner

*Primary Examiner* — Cynthia Underwood

(57) **CLAIM**

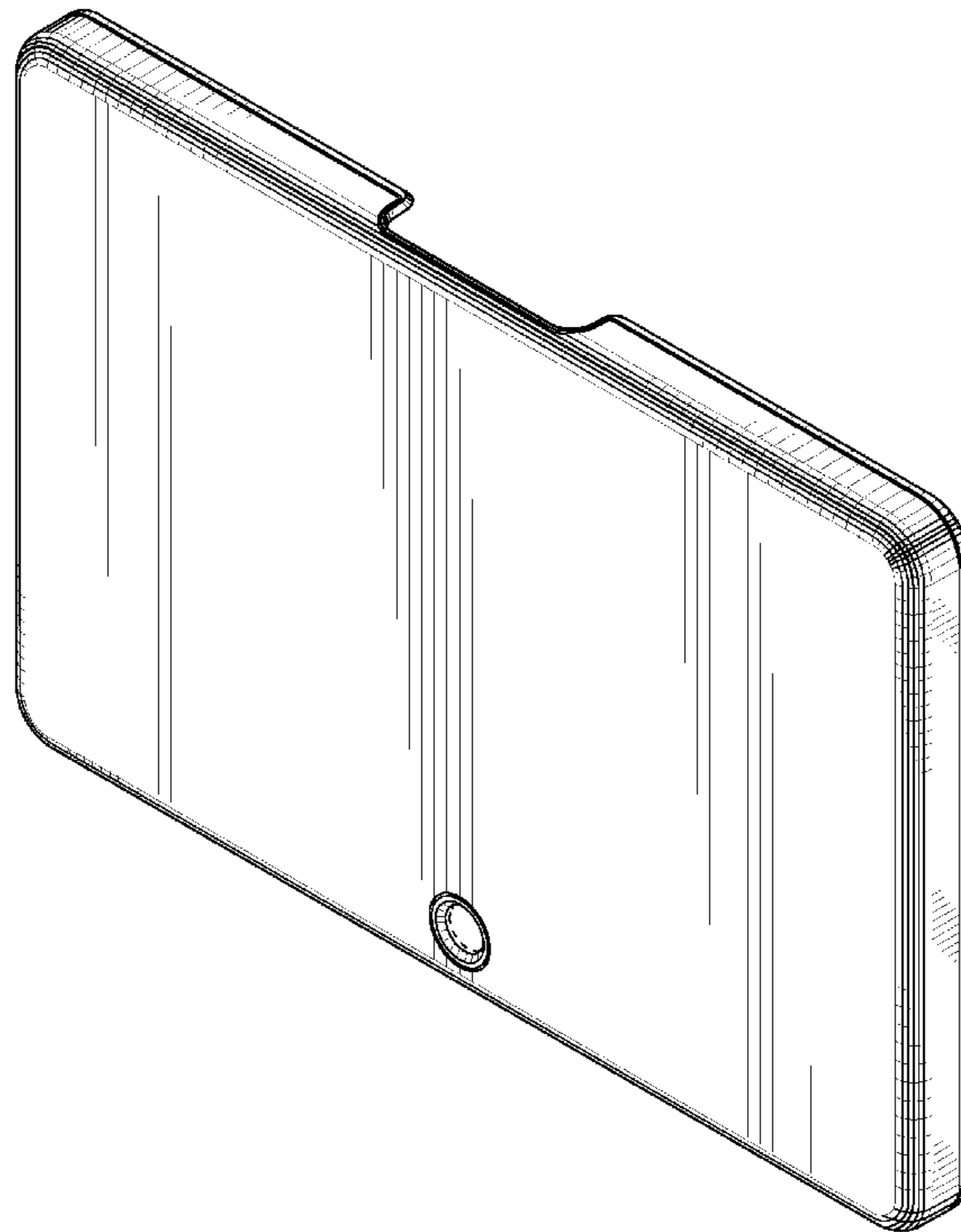
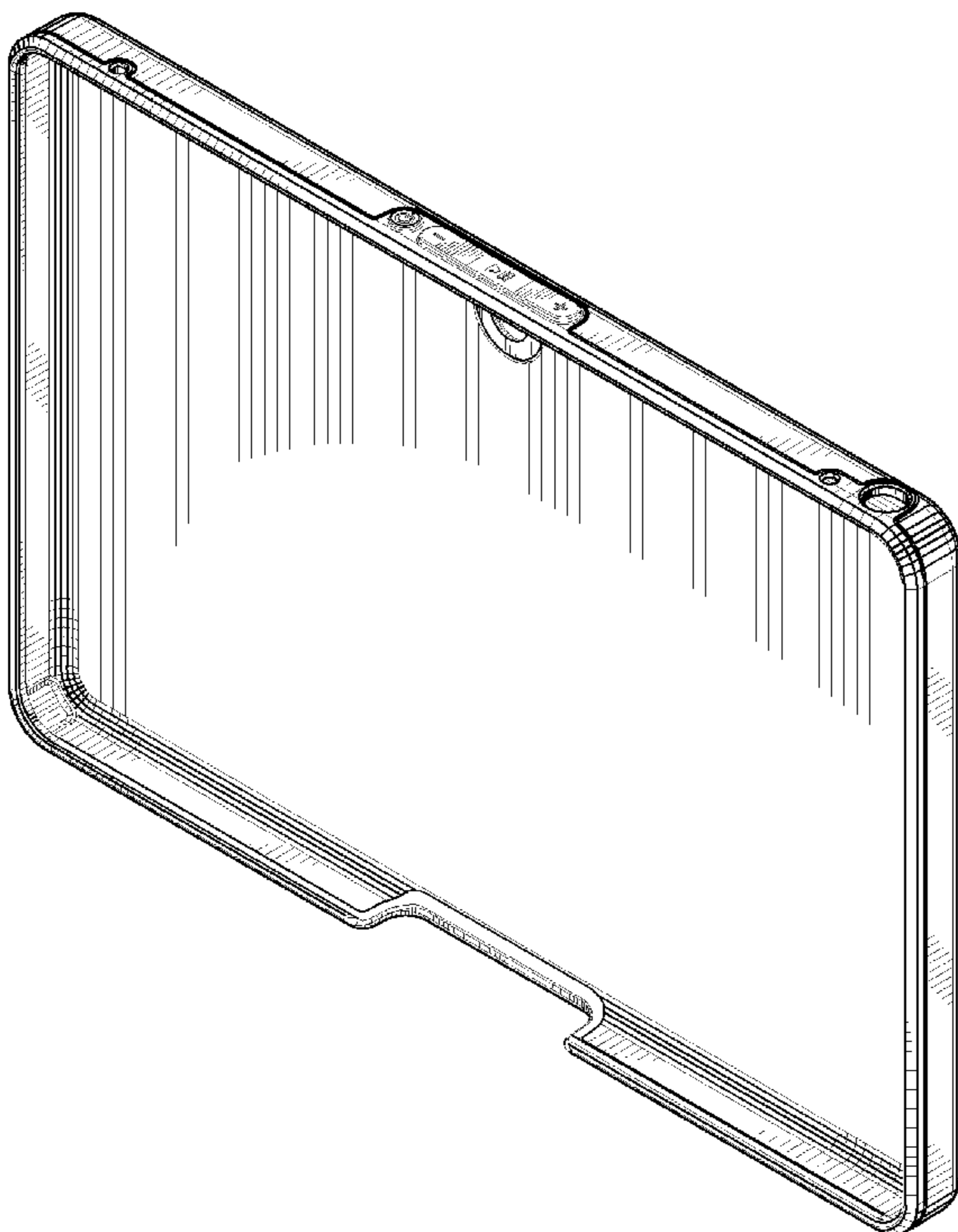
We claim the ornamental design for a handheld electronic device shell, as shown and described.

**DESCRIPTION**

FIG. 1 is a front perspective view of a handheld electronic device shell;  
FIG. 2 is a back bottom perspective view of the handheld electronic device shell;  
FIG. 3 is a back elevational view of thereof;  
FIG. 4 is a front elevational view thereof;  
FIG. 5 is a left elevational view thereof;  
FIG. 6 is a right elevational view thereof;  
FIG. 7 is a top plan view thereof; and,  
FIG. 8 is a bottom plan view thereof.

The broken lines represent portions of the structure that form no part of the claim.

**1 Claim, 6 Drawing Sheets**



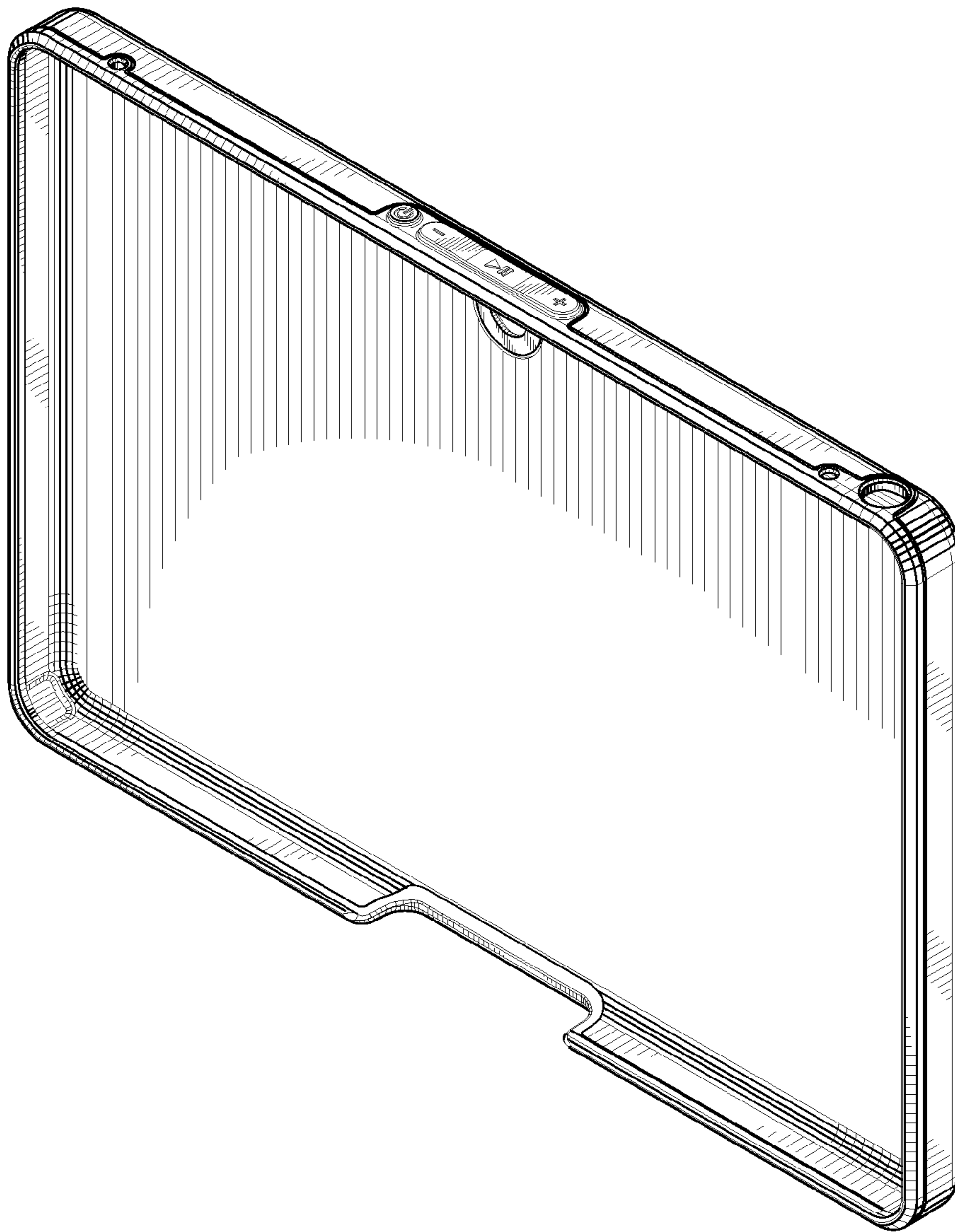


FIG.1

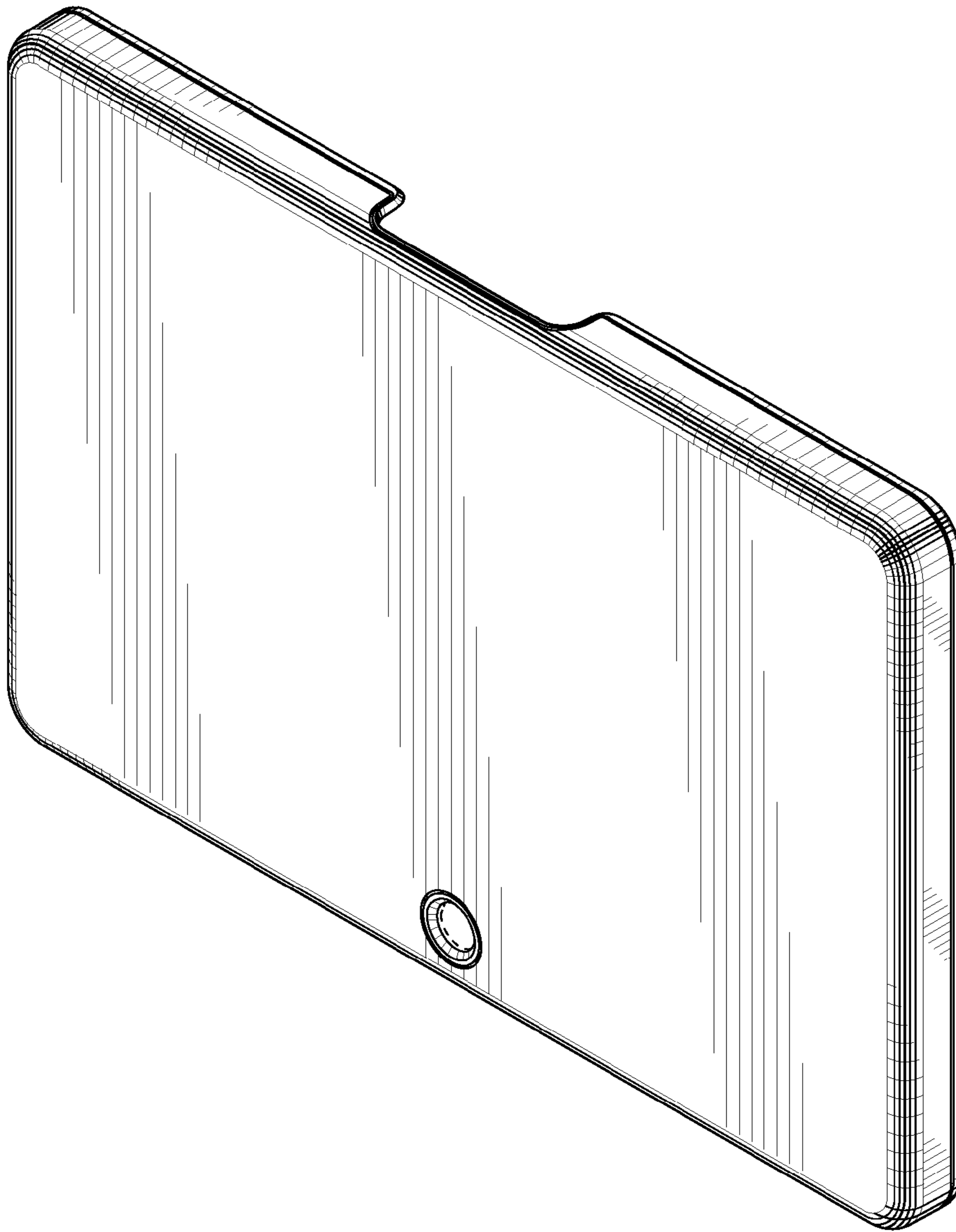


FIG.2

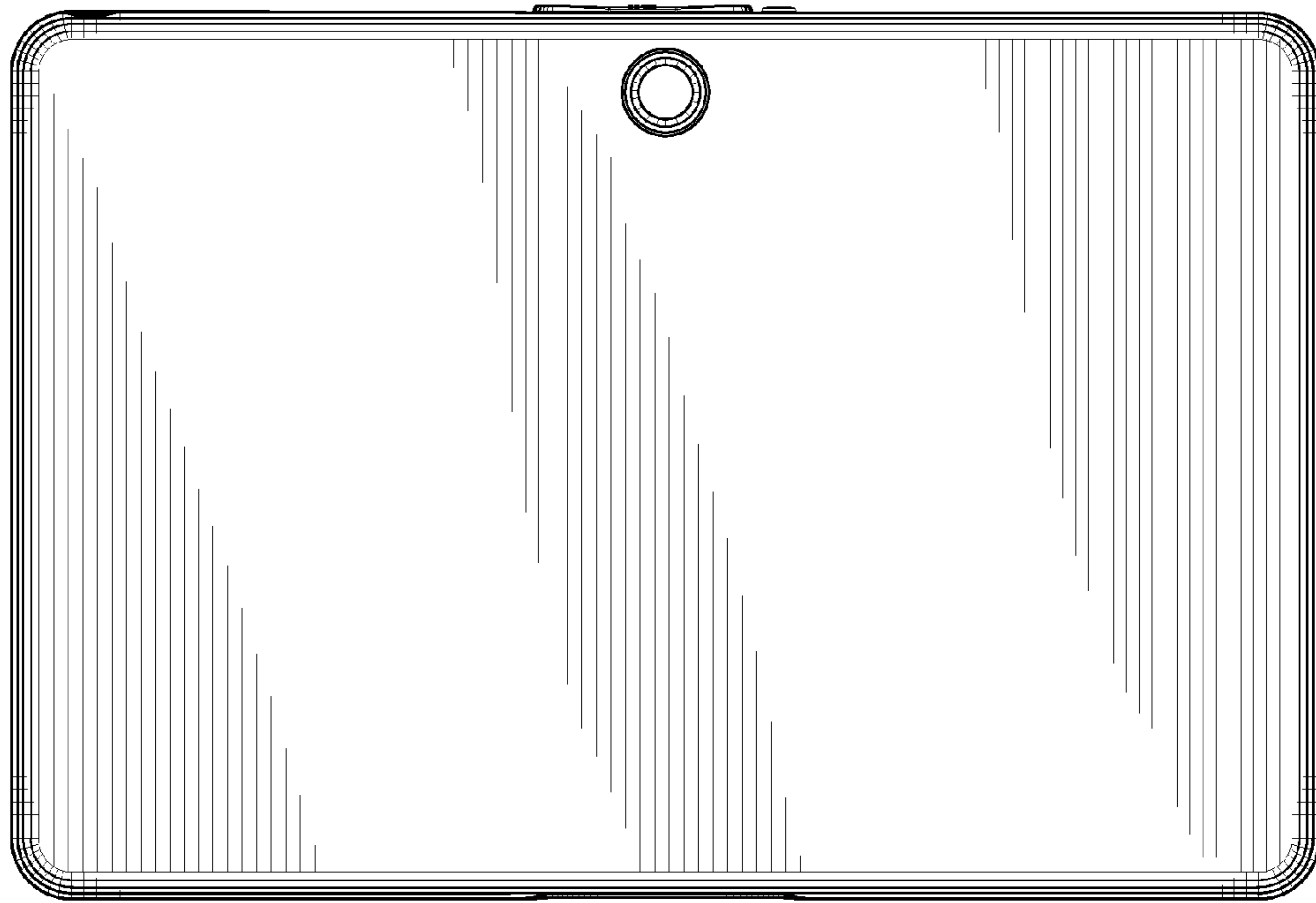


FIG.3

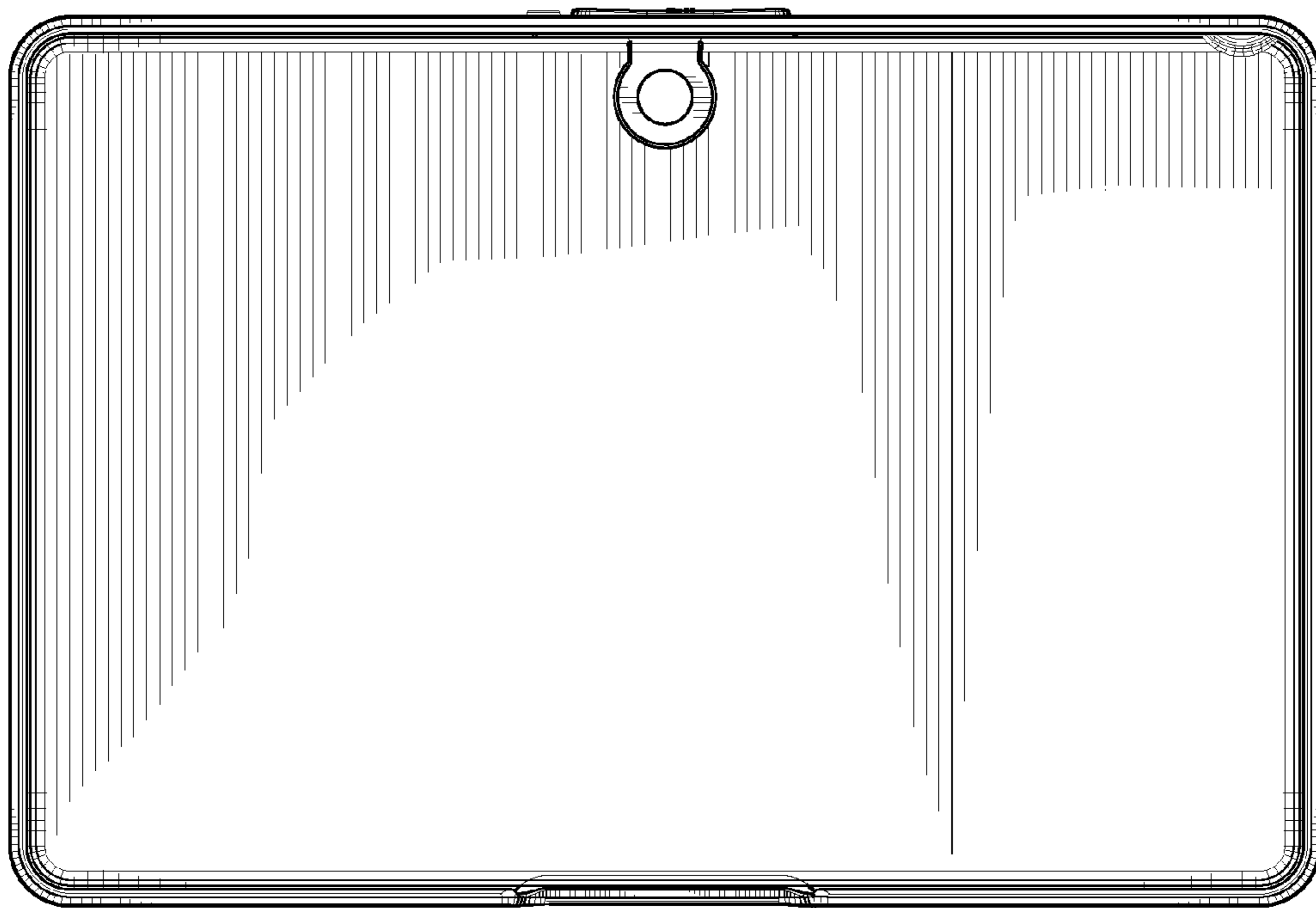


FIG.4

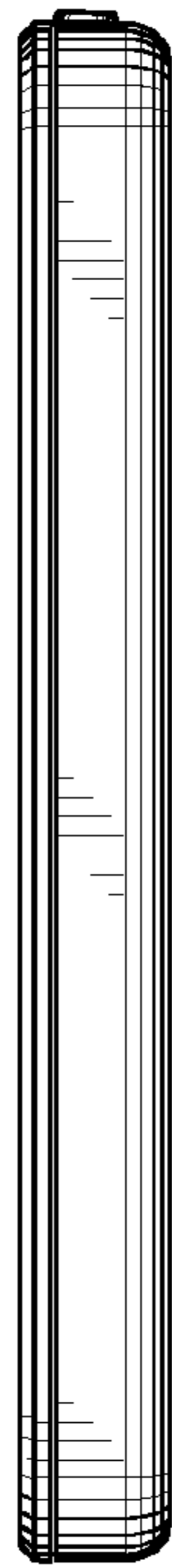


FIG.5

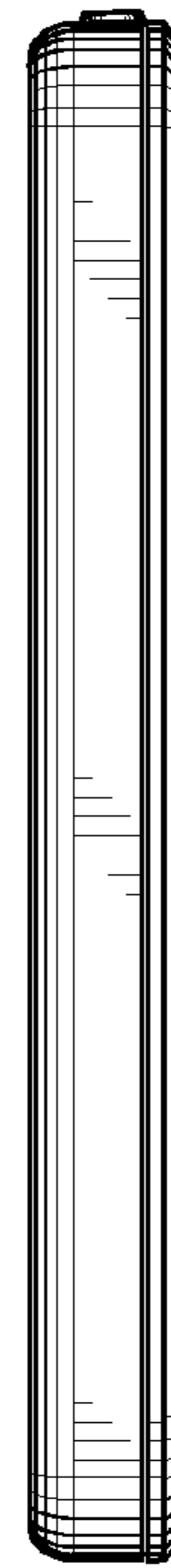


FIG.6

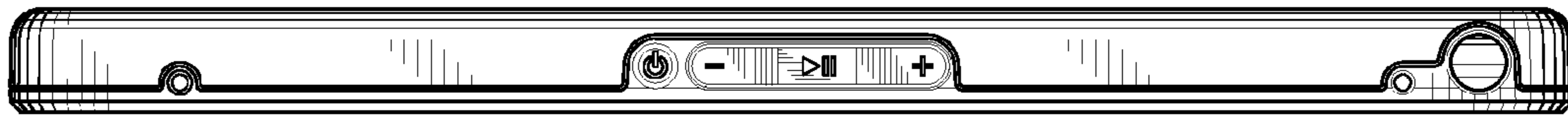


FIG.7

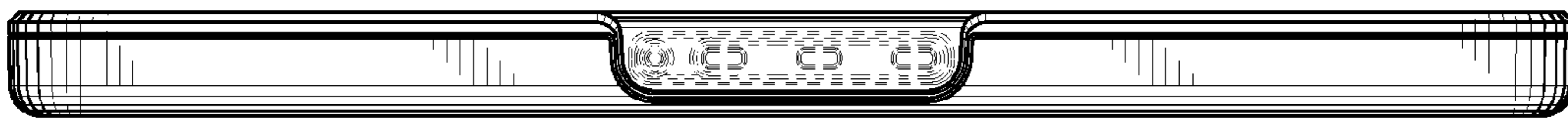


FIG.8