



US00D679713S

(12) **United States Design Patent**
McParland et al.

(10) **Patent No.:** **US D679,713 S**

(45) **Date of Patent:** **** Apr. 9, 2013**

(54) **CARTRIDGE INTERFACE**

(75) Inventors: **Paul T. McParland**, Saratoga, CA (US);
Mu-Jung Chen, New Taipei (TW);
Ming-Hsueh Tsai, Taipei (TW)

(73) Assignee: **Seagate Technology LLC**, Cupertino,
CA (US)

(**) Term: **14 Years**

(21) Appl. No.: **29/408,547**

(22) Filed: **Dec. 14, 2011**

(51) **LOC (9) Cl.** **14-02**

(52) **U.S. Cl.** **D14/434**

(58) **Field of Classification Search** D14/432-434,
D14/314, 204, 420, 421, 447, 217, 358, 138 R,
D14/140, 142; D13/107, 108, 146; D8/373;
248/346.03, 176.1; 361/679.41, 679.31,
361/679.32, 679.4, 679.43, 679.55, 679.58,
361/679.33; 320/109, 112-115; 710/15,
710/303; 455/557; 439/347, 534
See application file for complete search history.

(56) **References Cited**

U.S. PATENT DOCUMENTS

D285,920 S *	9/1986	Kitakaze	D14/260
D369,789 S *	5/1996	Lucente et al.	D14/434
D391,928 S *	3/1998	Kondo et al.	D14/434
D396,454 S *	7/1998	Shima et al.	D14/434
5,933,322 A *	8/1999	Ruch et al.	361/679.41
D421,424 S *	3/2000	Lee et al.	D14/434
D423,473 S *	4/2000	Iwamoto	D14/434

D452,496 S *	12/2001	Murnaghan et al.	D14/242
D640,699 S	6/2011	McParland		
D641,362 S	7/2011	Dublin		
D641,364 S	7/2011	McParland		
D641,368 S	7/2011	McParland		
2005/0111182 A1*	5/2005	Lin et al.	361/686

OTHER PUBLICATIONS

U.S. Appl. No. 29/406,000, McParland, filed Nov. 9, 2011.
U.S. Appl. No. 29/405,706, McParland, filed Nov. 4, 2011.
U.S. Appl. No. 29/406,001, McParland, filed Nov. 9, 2011.

* cited by examiner

Primary Examiner — Freda S Nunn

(74) *Attorney, Agent, or Firm* — Mueting, Raasch &
Gebhardt PA

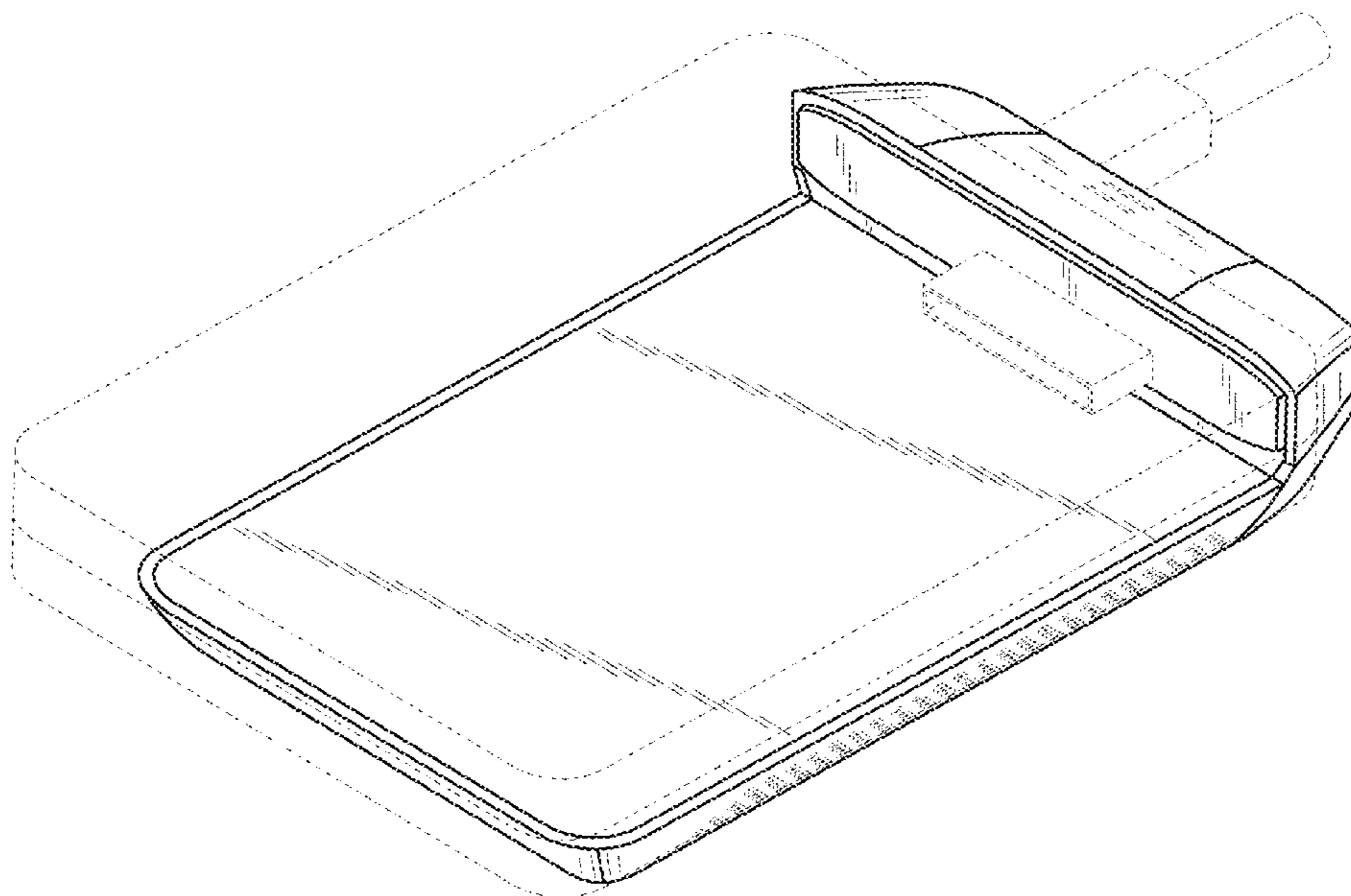
(57) **CLAIM**

The ornamental design for a cartridge interface, as shown and described.

DESCRIPTION

FIG. 1 is a front perspective view of a cartridge interface showing our new design;
FIG. 2 is a front view thereof;
FIG. 3 is a rear view thereof;
FIG. 4 is a top view thereof;
FIG. 5 is a bottom view thereof; and,
FIG. 6 is a right side view thereof, and the left side view is a mirror image of FIG. 6.
Broken lines shown in the drawings illustrate portions of the cartridge interface and form no part of the claimed design.

1 Claim, 5 Drawing Sheets



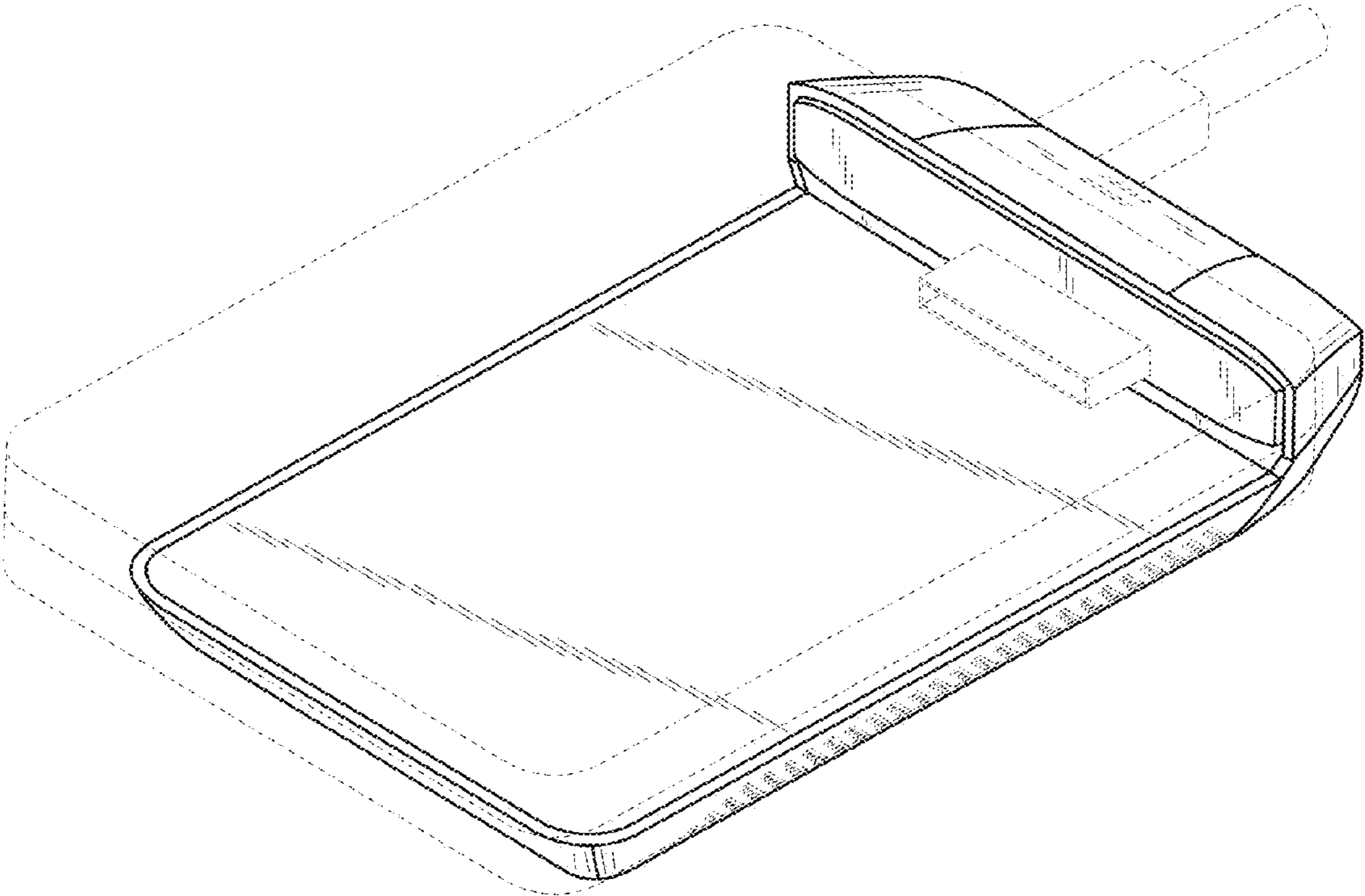


Fig. 1

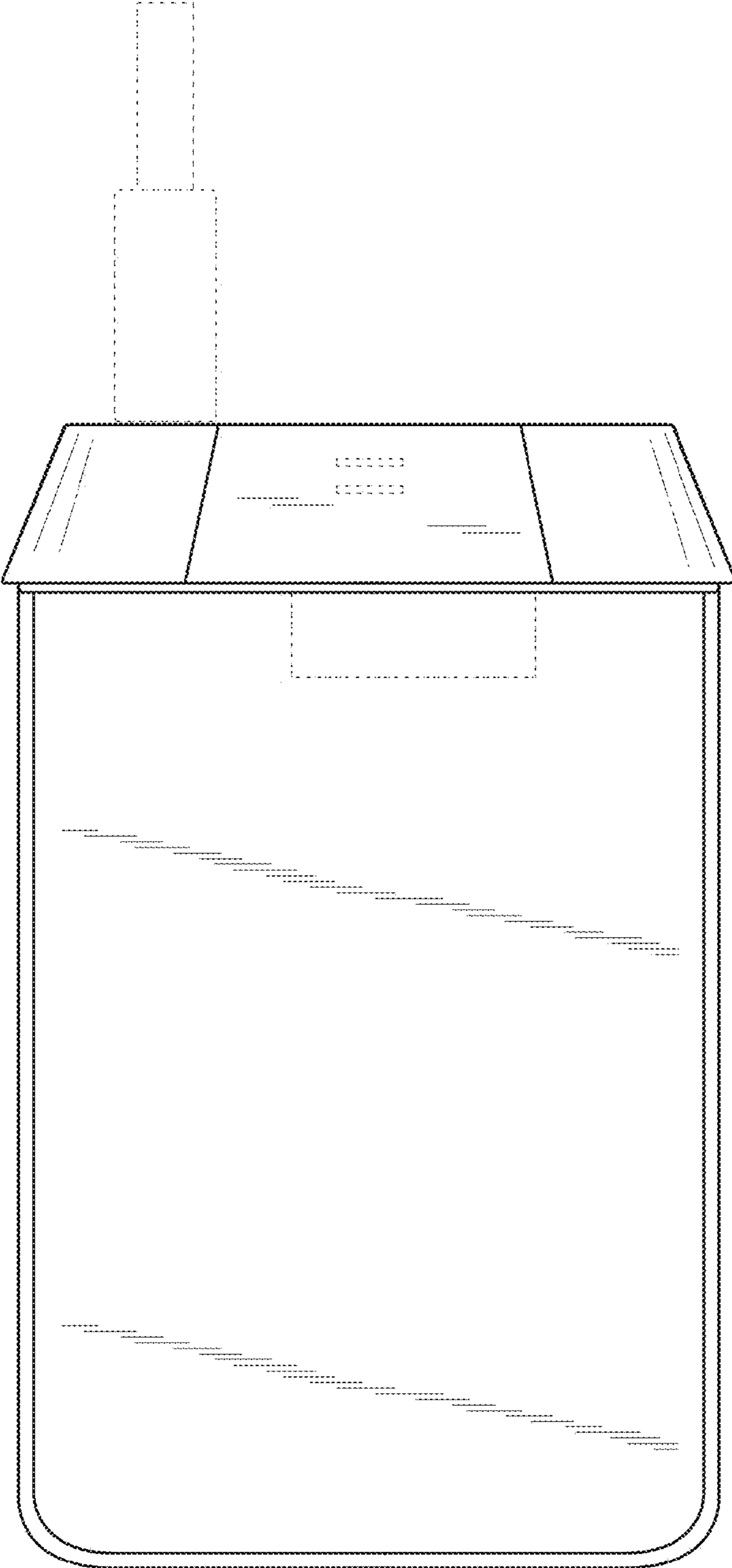


Fig. 2

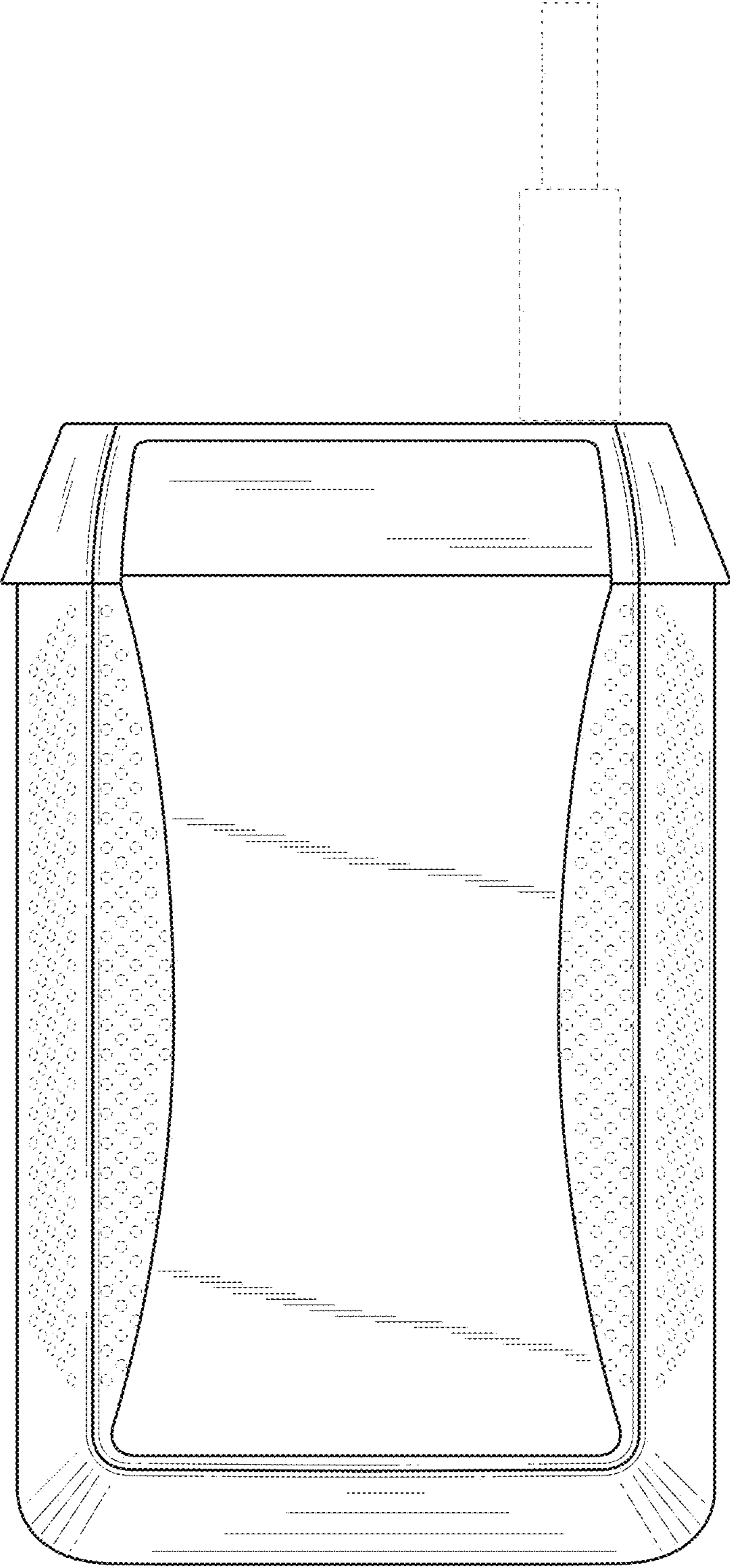


Fig. 3

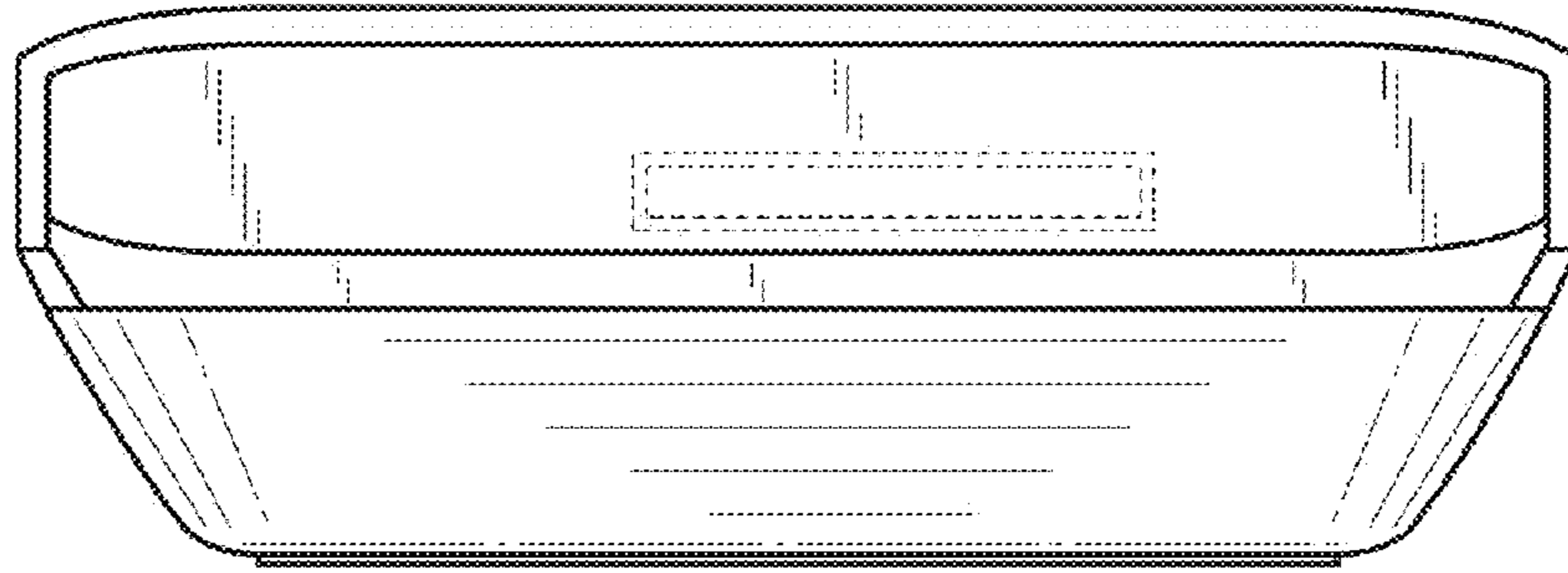


Fig. 4

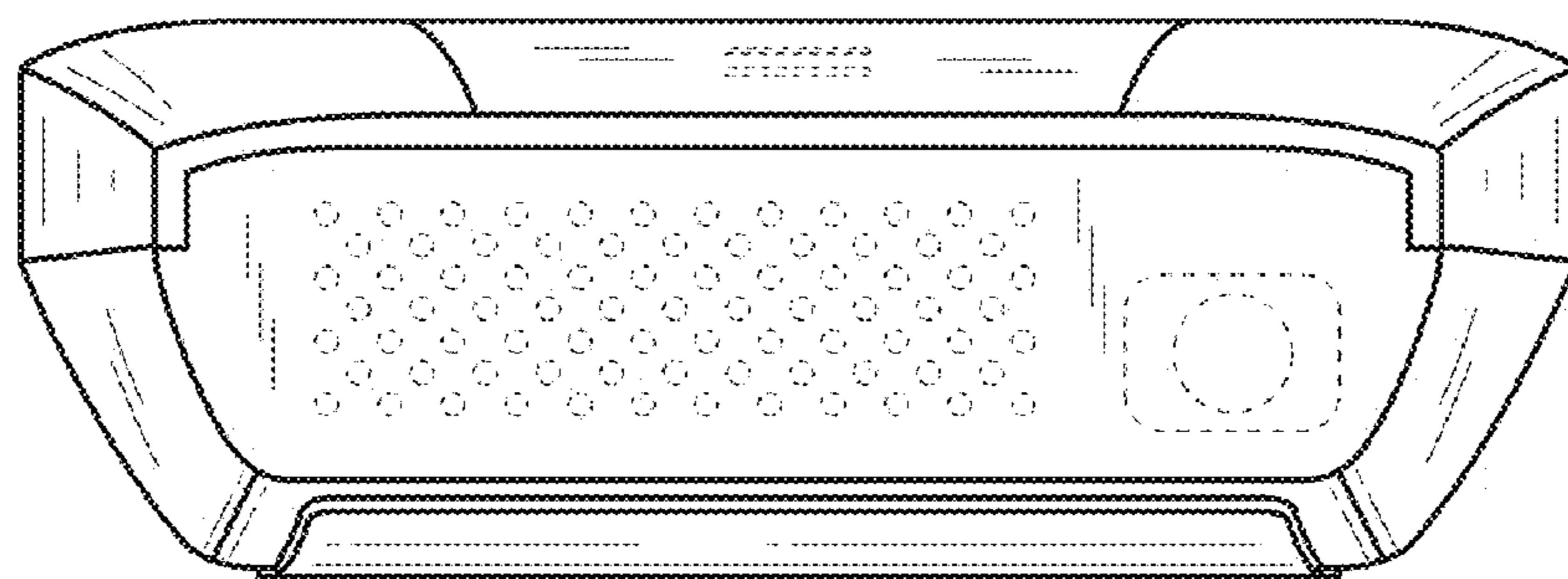


Fig. 5

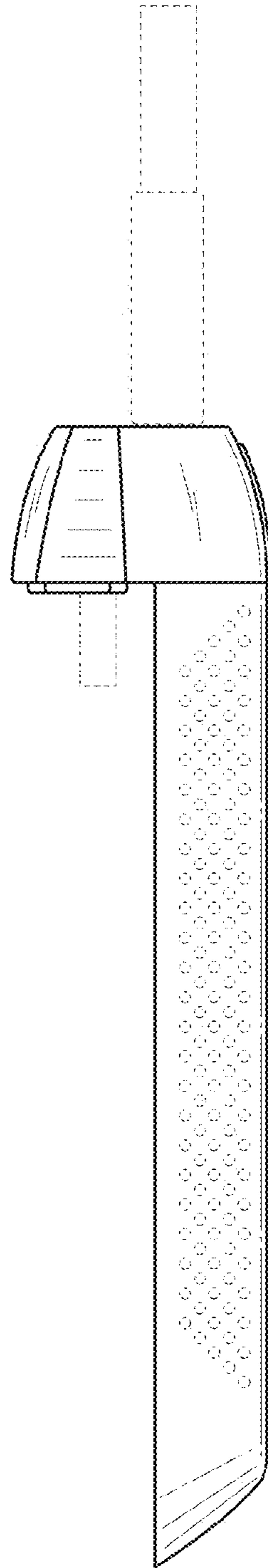


Fig. 6