



US00D679711S

(12) **United States Design Patent**
Perry et al.

(10) **Patent No.:** **US D679,711 S**
(45) **Date of Patent:** **** Apr. 9, 2013**

- (54) **STORAGE DEVICE ACCESSORY**
- (75) Inventors: **Michael Perry**, San Jose, CA (US);
Ming-Hsueh Tsai, Taipei (TW); **Ash Razdan**, San Jose, CA (US)
- (73) Assignee: **Seagate Technology LLC**, Cupertino, CA (US)
- (**) Term: **14 Years**
- (21) Appl. No.: **29/406,001**
- (22) Filed: **Nov. 9, 2011**
- (51) **LOC (9) Cl.** **14-02**
- (52) **U.S. Cl.** **D14/434**
- (58) **Field of Classification Search** D14/432-434,
D14/314, 204, 420, 421, 447, 217, 358, 138 R,
D14/140, 142; D13/107, 108, 146; D8/373;
248/346.03, 176.1; 361/679.41, 679.31,
361/679.32, 679.4, 679.43, 679.55, 679.58,
361/679.33; 320/109, 112-115; 710/15,
710/303; 455/557; 439/347, 534
See application file for complete search history.

- D389,467 S * 1/1998 Nakayama et al. D14/434
- D430,882 S * 9/2000 Tsai D14/434
- D565,571 S * 4/2008 Trifilio et al. D14/434
- D640,699 S 6/2011 McParland
- D641,362 S 7/2011 Dublin
- D641,364 S 7/2011 McParland
- D641,368 S 7/2011 McParland
- 2008/0219488 A1 * 9/2008 Crooijmans et al. 381/333

* cited by examiner

Primary Examiner — Freda S Nunn

(74) *Attorney, Agent, or Firm* — Mueting Raasch & Gebhardt PA

(57) **CLAIM**

The ornamental design for a storage device accessory, as shown and described.

DESCRIPTION

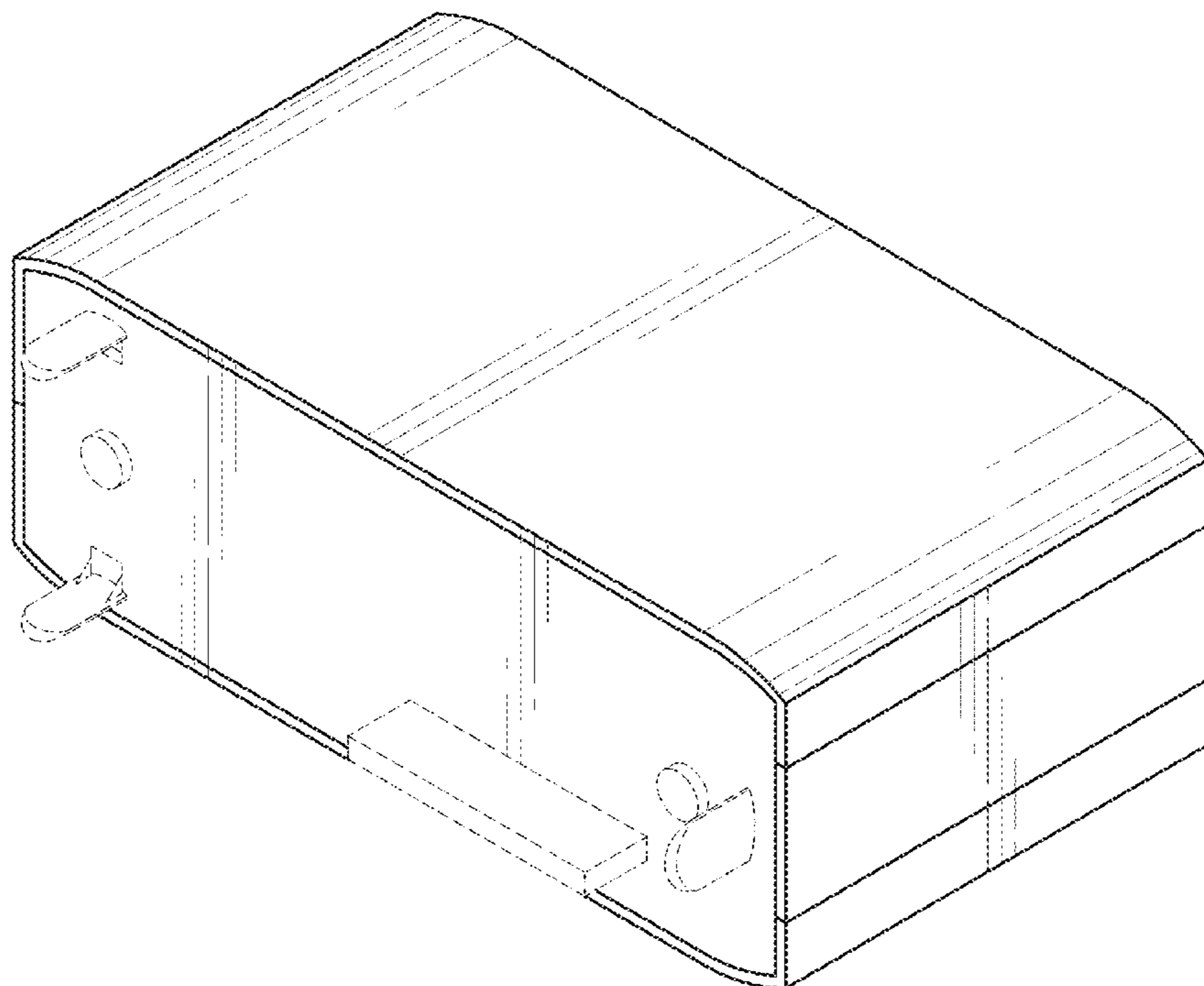
FIG. 1 is a front perspective view of a storage device accessory showing our new design;
 FIG. 2 is a front view thereof;
 FIG. 3 is a rear view thereof;
 FIG. 4 is a right side view thereof;
 FIG. 5 is a left side view thereof;
 FIG. 6 is a top view thereof;
 FIG. 7 is a bottom side thereof; and,
 FIG. 8 is a front perspective view thereof showing an attached storage cartridge in broken lines.
 Broken lines shown in the drawings illustrate portions of the storage cartridge and storage device accessory and form no part of the claimed design.

1 Claim, 4 Drawing Sheets

(56) **References Cited**

U.S. PATENT DOCUMENTS

- D318,466 S * 7/1991 Grundstrom et al. D14/434
- D361,758 S * 8/1995 Youens et al. D14/434
- D361,987 S * 9/1995 Yamazaki D14/434
- D364,853 S * 12/1995 Ojeda D14/434



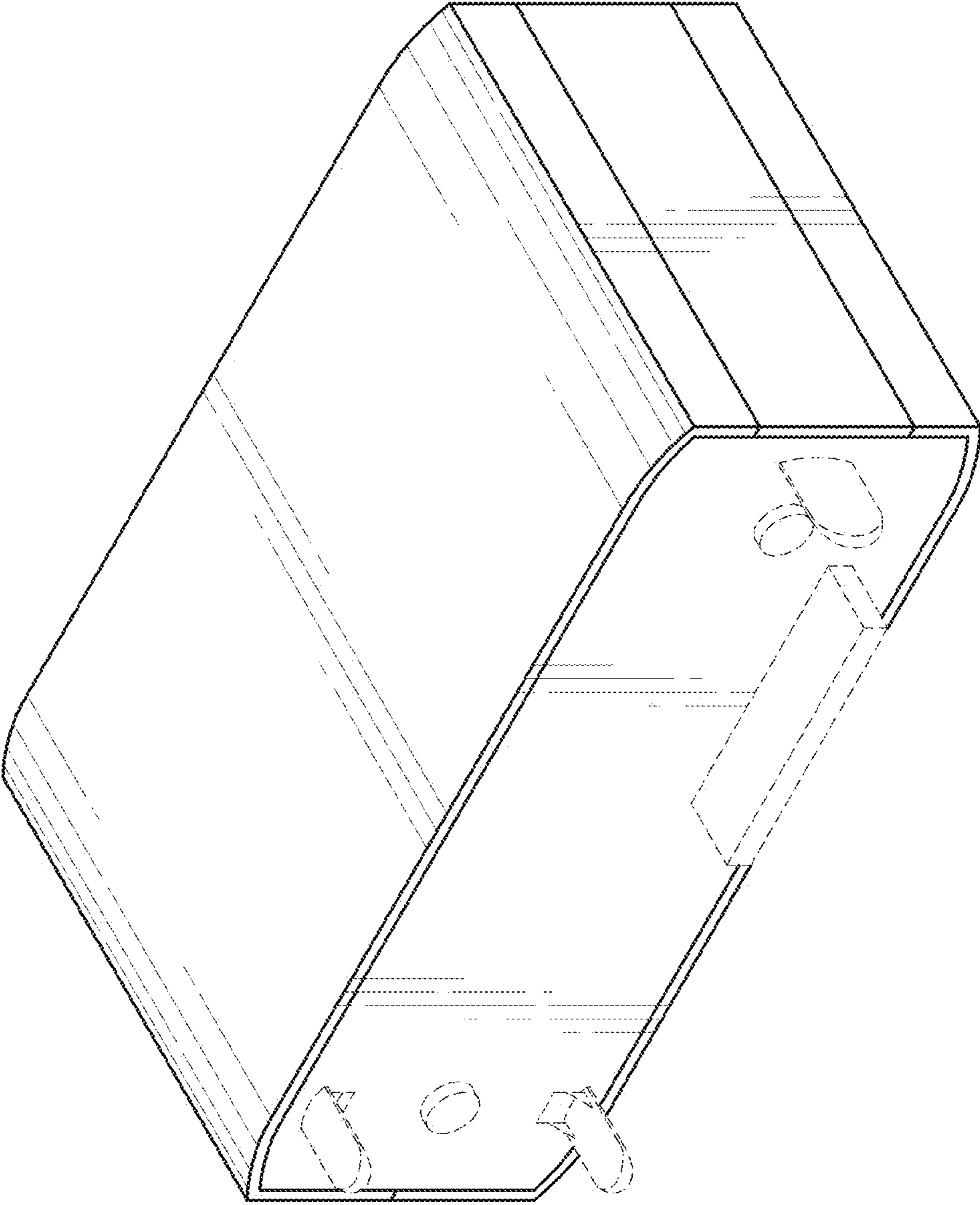


Fig. 1

Fig. 2

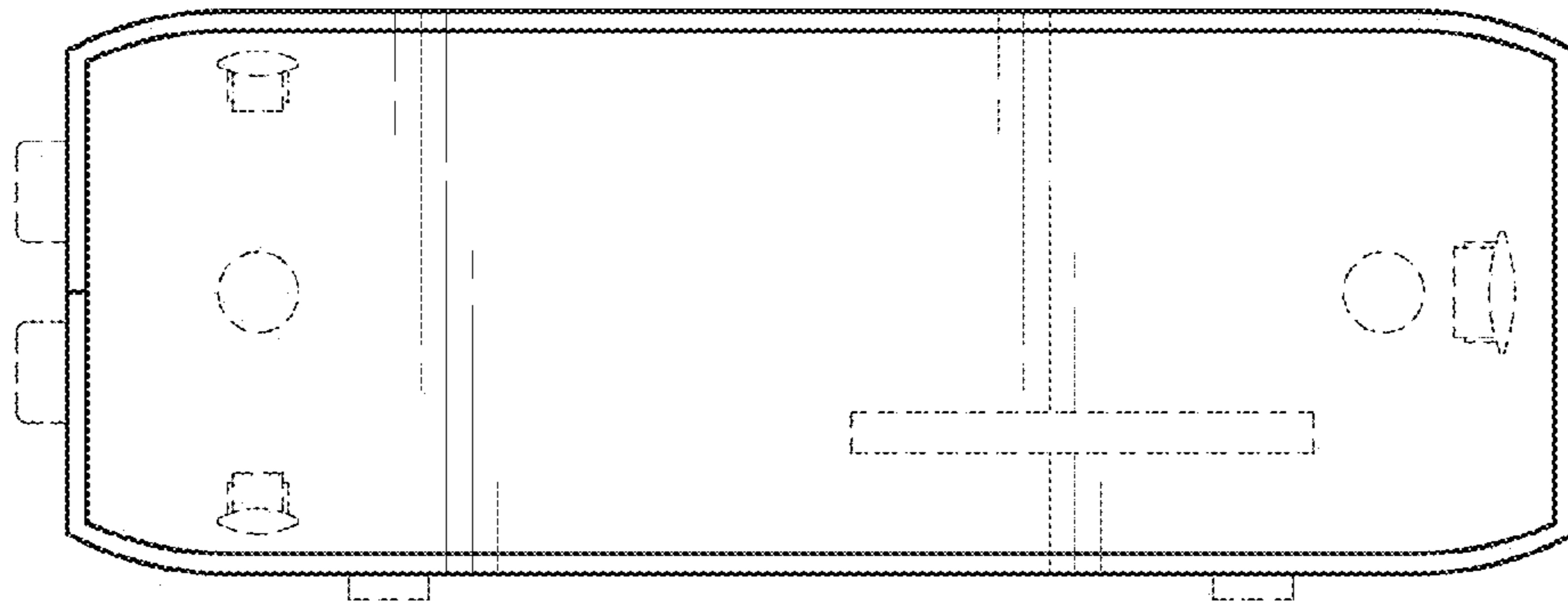


Fig. 3

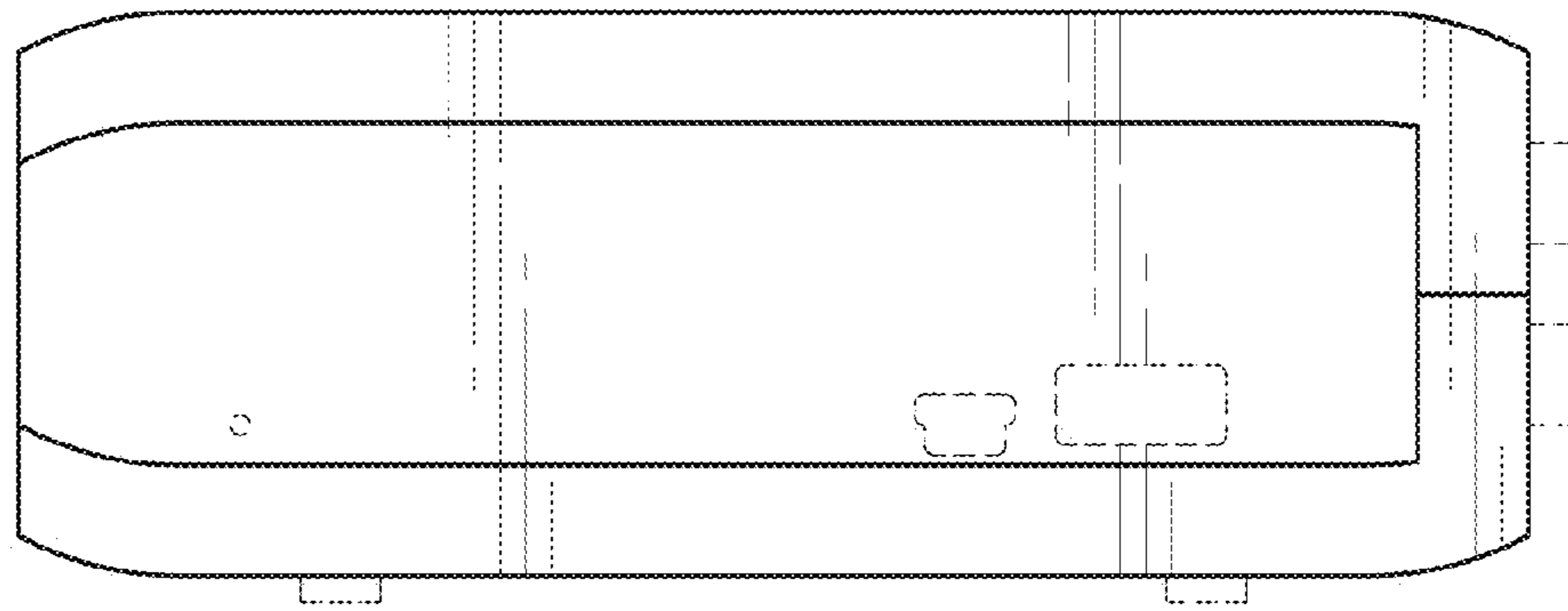


Fig. 4

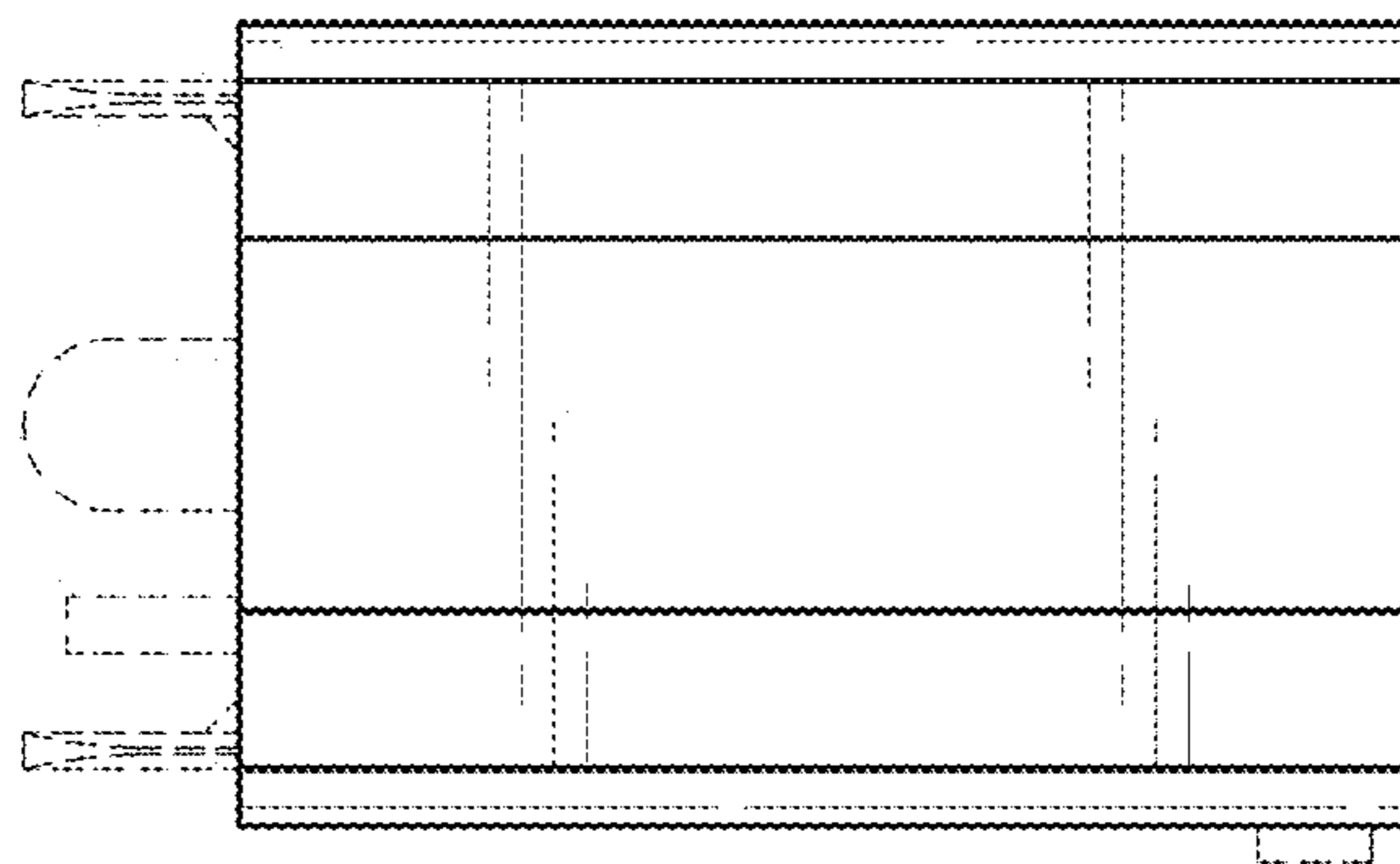


Fig. 5

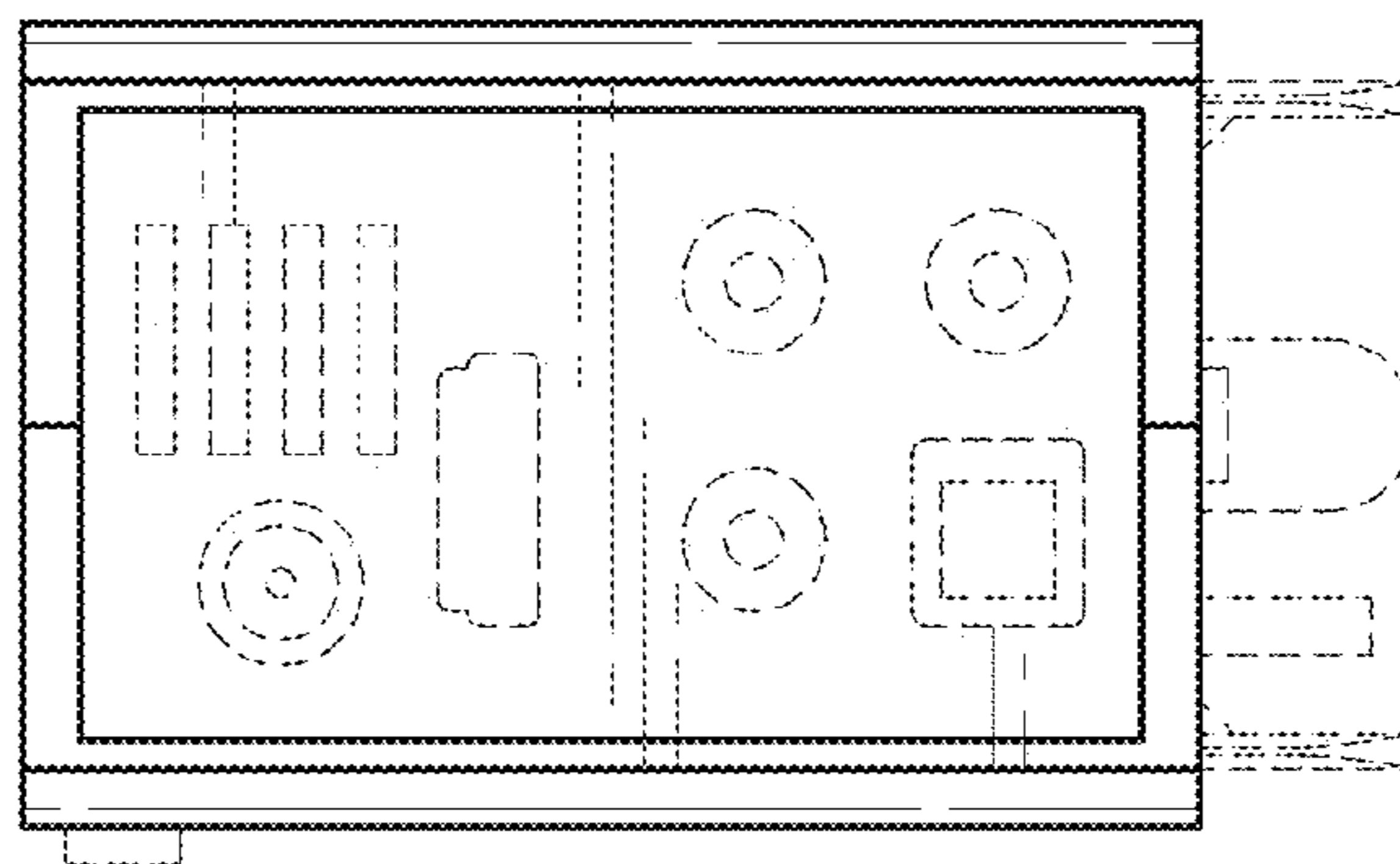


Fig. 6

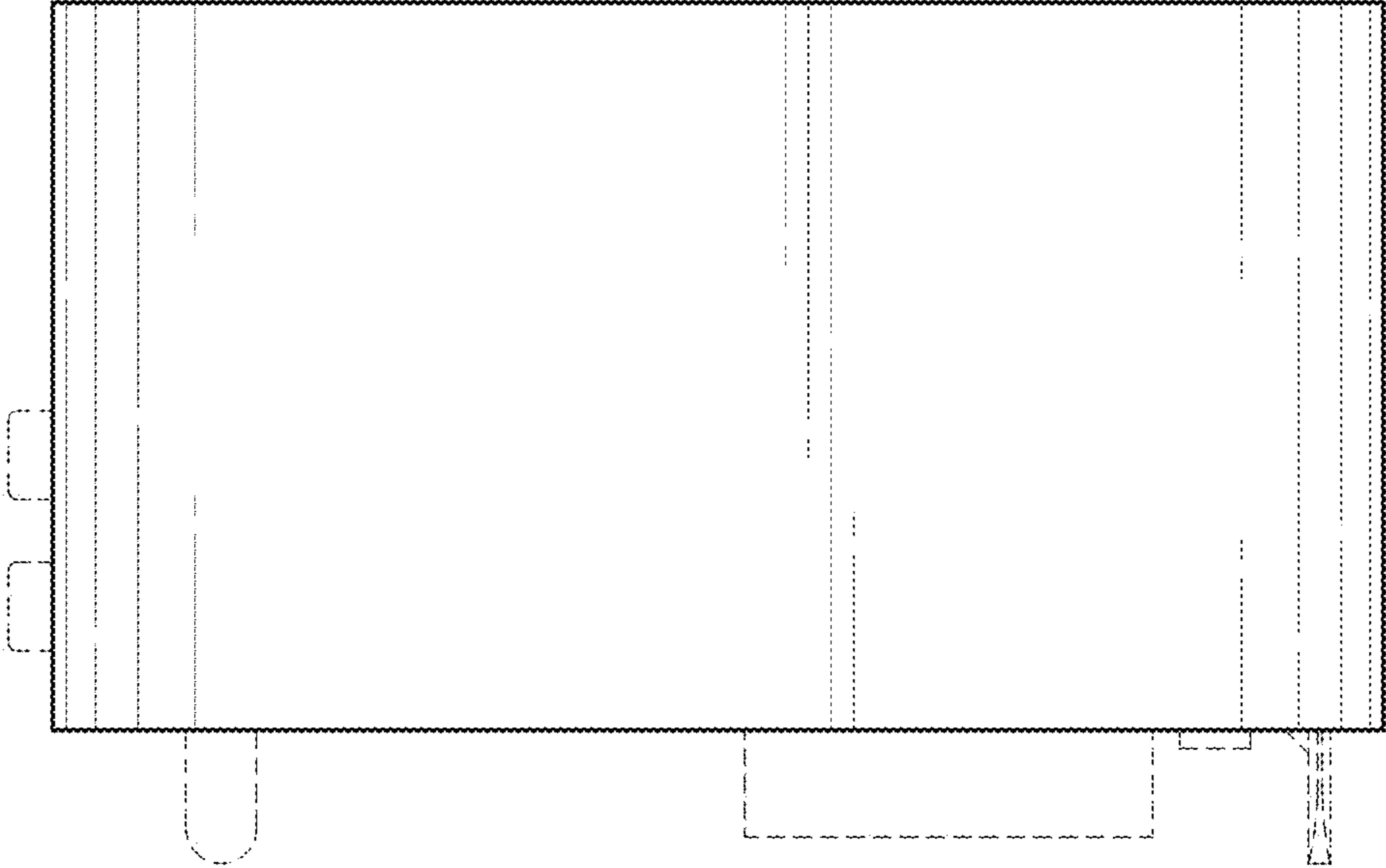
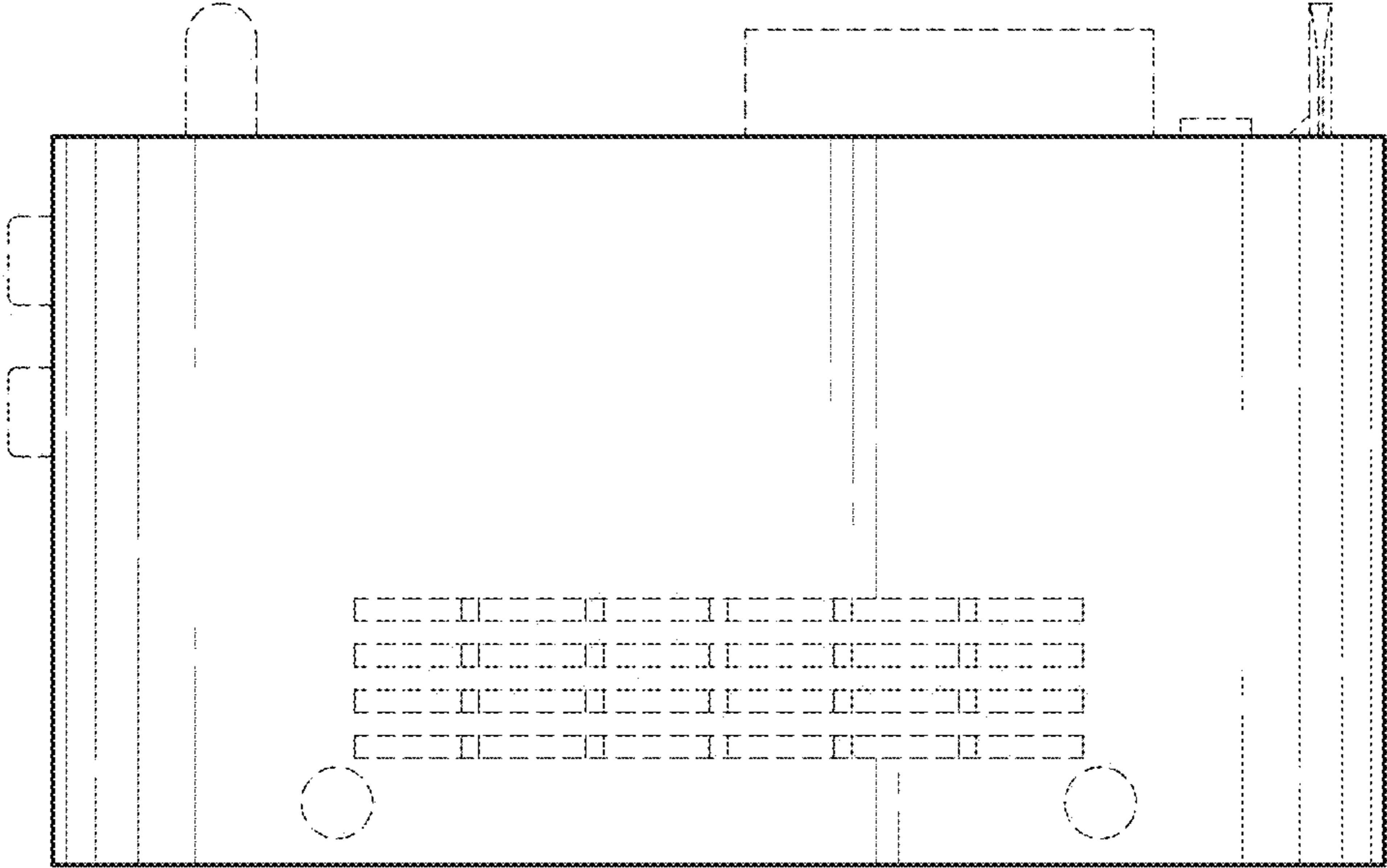


Fig. 7



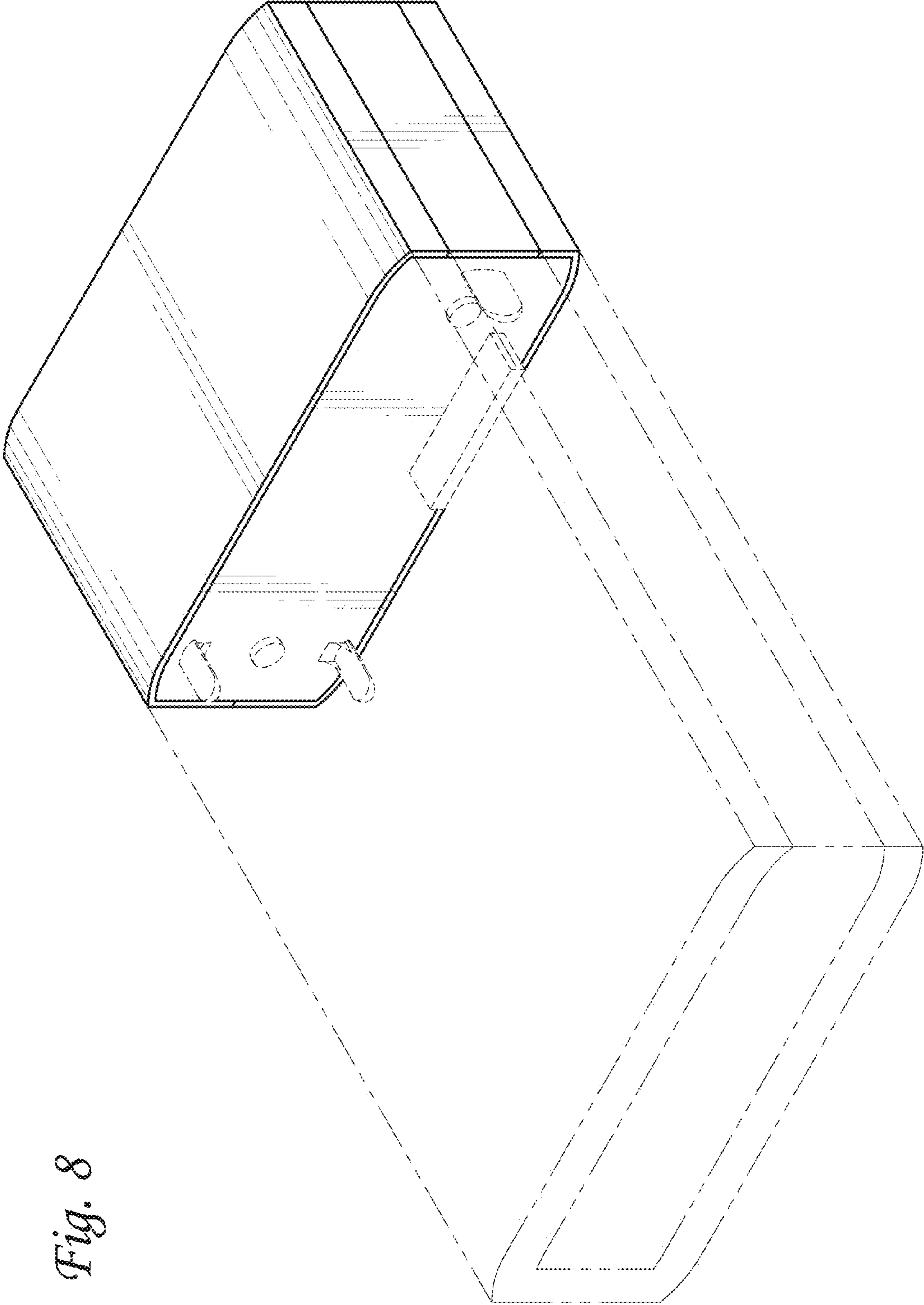


Fig. 8