



US00D679709S

(12) **United States Design Patent**
Hayes et al.

(10) **Patent No.:** **US D679,709 S**
(45) **Date of Patent:** **** Apr. 9, 2013**

(54) **BOOK SCANNING DEVICE CAMERA ASSEMBLY AND PAGE COMPRESSOR**

FOREIGN PATENT DOCUMENTS

DE 3546404 A1 7/1987
DE 102009013831 A1 9/2010

(75) Inventors: **Jonathan Hayes**, Boston, MA (US);
Paul Williamson, Providence, RI (US)

OTHER PUBLICATIONS

(73) Assignee: **inMusic Brands, Inc.**, Cumberland, RI (US)

“DIY High Speed Book Scanner from Trash and Cheap: Handle/ Electronics Overview” Instructables—<http://www.instructables.com/id/DIY-High-Speed-Book-Scanner-from-Trash-and-Cheap-C/step57/HandleElectronics-Overview/> (Date accessed, Dec. 6, 2010).
“BookDrive Mini” Tiz, <http://mini.atiz.com/> (Date accessed, Dec. 6, 2010).

(**) Term: **14 Years**

(21) Appl. No.: **29/389,025**

(Continued)

(22) Filed: **Apr. 6, 2011**

(51) **LOC (9) Cl.** **14-02**

Primary Examiner — Susan Moon Lee

(52) **U.S. Cl.**
USPC **D14/421**

(74) *Attorney, Agent, or Firm* — Finnegan, Henderson, Farabow, Garrett, and Dunner, LLP

(58) **Field of Classification Search** D14/420–424,
D14/383–386, 341, 129, 336, 409, 374; D18/4.1,
D18/4.4–4.6; D21/329; D26/371, 45, 50;
235/375, 378, 385, 454, 462.02, 486, 380,
235/382, 382.5; 382/312–315, 318–321;
250/203.1, 216; 399/7, 211; 358/497, 473,
358/474, 471, 494

(57) **CLAIM**

The ornamental design for a book scanning device camera assembly and page compressor, showing our new design as shown and described.

See application file for complete search history.

(56) **References Cited**

DESCRIPTION

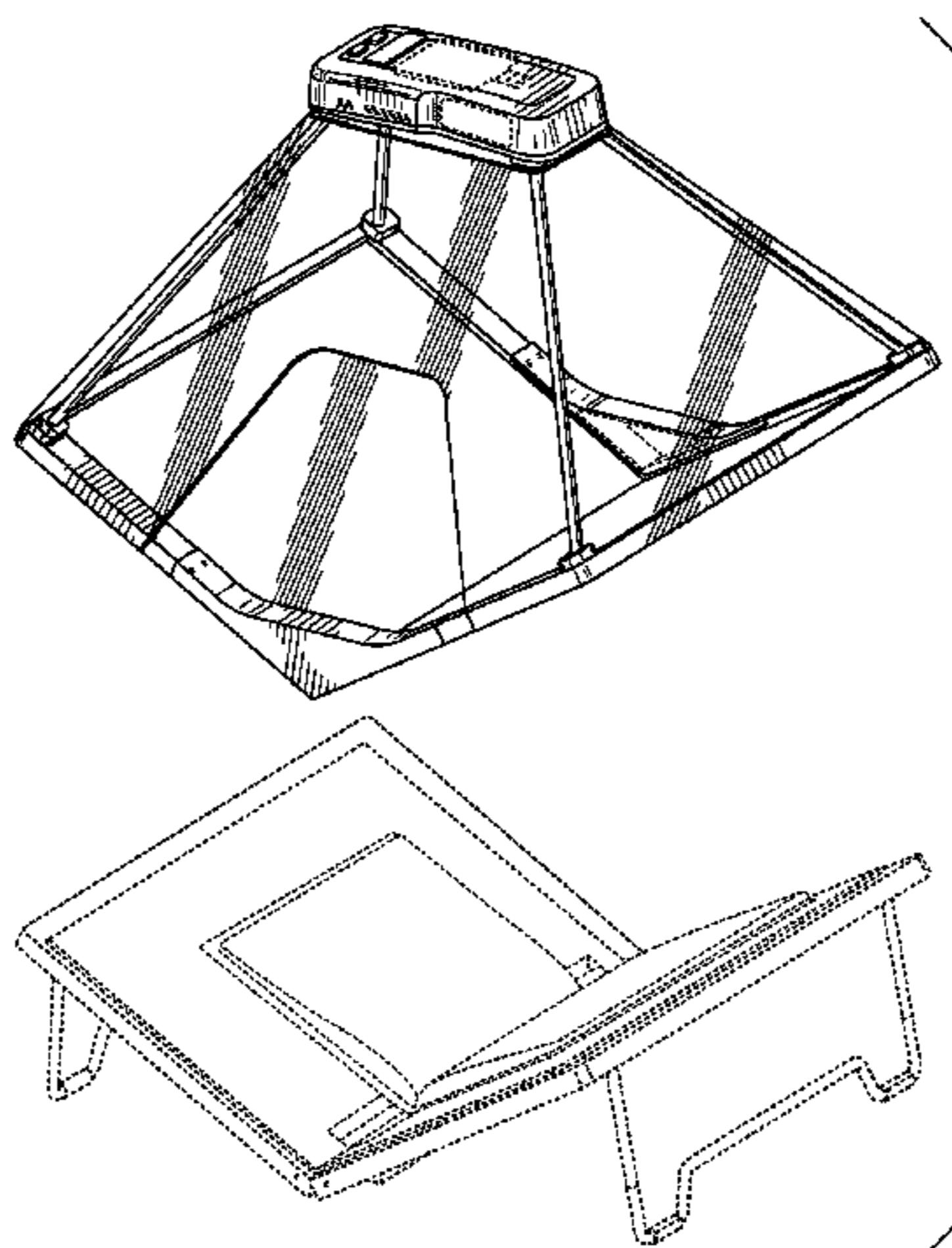
U.S. PATENT DOCUMENTS

3,712,729	A	1/1973	O'Brien	
4,432,154	A *	2/1984	D'Arcy	40/531
4,567,528	A *	1/1986	Wilman et al.	358/498
4,623,247	A	11/1986	Wilman	
4,633,080	A	12/1986	Wilman et al.	
4,636,868	A *	1/1987	Malyon	358/498
4,644,675	A *	2/1987	Berger et al.	40/531
4,831,455	A *	5/1989	Ishikawa et al.	348/373
4,942,482	A *	7/1990	Kakinuma et al.	358/474
5,325,213	A *	6/1994	Takahashi et al.	358/474
5,351,927	A *	10/1994	Howell	248/444.1
5,359,207	A	10/1994	Turner	
5,612,791	A	3/1997	Turner et al.	
5,619,302	A *	4/1997	Wu	355/25
5,636,006	A *	6/1997	Wu	355/75

FIG. 1 is a top, front, and left side perspective view of an embodiment of a book scanning device camera assembly and page compressor showing our new design; FIG. 2 is a front elevation view thereof; FIG. 3 is a rear elevation view thereof; FIG. 4 is a left side elevation view thereof; FIG. 5 is a right side elevation view thereof; FIG. 6 is a top view thereof; FIG. 7 is a bottom view thereof; and, FIG. 8 is a perspective view of the book scanning device shown in use. Broken lines and portions contained within broken lines are not claimed.

(Continued)

1 Claim, 8 Drawing Sheets



US D679,709 S

Page 2

U.S. PATENT DOCUMENTS

5,640,252	A *	6/1997	Turner et al.	358/497	2005/0285861	A1 *	12/2005	Fraser	345/428
5,760,925	A *	6/1998	Saund et al.	358/497	2006/0082901	A1 *	4/2006	Shoemaker	359/692
5,764,379	A *	6/1998	Matsuda et al.	358/474	2006/0098028	A1 *	5/2006	Baar	345/619
5,764,383	A *	6/1998	Saund et al.	358/497	2006/0152773	A1	7/2006	Wu	
5,777,660	A	7/1998	Ard		2006/0192780	A1 *	8/2006	Lantin	345/427
5,847,846	A *	12/1998	Wu et al.	358/475	2006/0214951	A1 *	9/2006	Baar et al.	345/647
5,886,342	A *	3/1999	Matsui	250/208.1	2007/0019253	A1 *	1/2007	Huang	358/474
6,056,258	A	5/2000	Swartz et al.		2007/0064018	A1 *	3/2007	Shoemaker et al.	345/660
6,459,505	B1 *	10/2002	Swartz et al.	358/471	2007/0097109	A1 *	5/2007	Shoemaker et al.	345/418
6,611,362	B2 *	8/2003	Mandel et al.	358/474	2007/0216963	A1 *	9/2007	Horvath et al.	358/474
D491,943	S *	6/2004	Whitehorn et al.	D14/375	2008/0158618	A1	7/2008	Reese et al.	
D494,977	S *	8/2004	Persson	D14/447	2008/0165395	A1 *	7/2008	Chen	358/497
6,862,074	B2 *	3/2005	Tretiakoff et al.	355/25	2008/0239255	A1 *	10/2008	Tratter et al.	355/25
D513,008	S *	12/2005	Takizawa et al.	D14/447	2008/0316551	A1 *	12/2008	Taylor et al.	358/498
D528,086	S *	9/2006	Chia	D14/126	2009/0141044	A1 *	6/2009	Shoemaker	345/647
D533,558	S *	12/2006	Elkhuizen et al.	D14/447	2009/0147023	A1 *	6/2009	Jetha et al.	345/620
D549,709	S *	8/2007	Richter	D14/447	2009/0265656	A1 *	10/2009	Jetha et al.	715/781
D554,647	S *	11/2007	Chan	D14/447	2009/0284542	A1 *	11/2009	Baar et al.	345/589
7,535,604	B2 *	5/2009	Sheng	358/475	2009/0296168	A1 *	12/2009	Proudfoot et al.	358/475
7,551,333	B2 *	6/2009	Chien	358/497	2010/0026718	A1 *	2/2010	Jetha et al.	345/647
7,557,965	B2 *	7/2009	Taylor et al.	358/474	2010/0033503	A1 *	2/2010	Baar et al.	345/647
7,595,915	B2 *	9/2009	Belkhir	358/474	2010/0067068	A1	3/2010	Jeong et al.	
7,605,844	B1 *	10/2009	Page et al.	348/207.99	2010/0123941	A1	5/2010	Albahri	
D624,922	S *	10/2010	Hui et al.	D14/447	2010/0201785	A1 *	8/2010	Lantin	348/46
D626,964	S *	11/2010	Richardson et al.	D14/447	2010/0208968	A1 *	8/2010	Shoemaker et al.	382/131
D633,914	S *	3/2011	Yamada	D14/420	2010/0262907	A1 *	10/2010	Shoemaker et al.	715/702
D639,814	S *	6/2011	Farris-Gilbert et al.	D14/447	2010/0296138	A1	11/2010	Jakes et al.	
D639,815	S *	6/2011	Lye	D14/447	2011/0267661	A1 *	11/2011	Hayes et al.	358/474
D643,845	S *	8/2011	Hong	D14/447					
D644,230	S *	8/2011	Lin	D14/447					
D645,867	S *	9/2011	Wong et al.	D14/447					
8,072,650	B1 *	12/2011	Starns et al.	358/447					
8,139,089	B2 *	3/2012	Doyle et al.	345/647					
D657,793	S *	4/2012	Hayes et al.	D14/421					
8,154,775	B2 *	4/2012	Jeong et al.	358/474					
2002/0191994	A1 *	12/2002	Lee	399/362					
2004/0218231	A1 *	11/2004	Sheng et al.	358/474					
2005/0243386	A1 *	11/2005	Sheng	358/506					

OTHER PUBLICATIONS

“Public Domain Images of the Portable Book Scanner” The Fake Project Corporation of America—<http://www.danreetz.com/blog/2009/10/12/public-domain-images-of-the-portable-book-scanner/> (Date accessed, Dec. 6, 2010).

“Mobile Scanning for Business” Capture ID—<http://www.capture-id.com/> (Date accessed, Dec. 6, 2010).

* cited by examiner

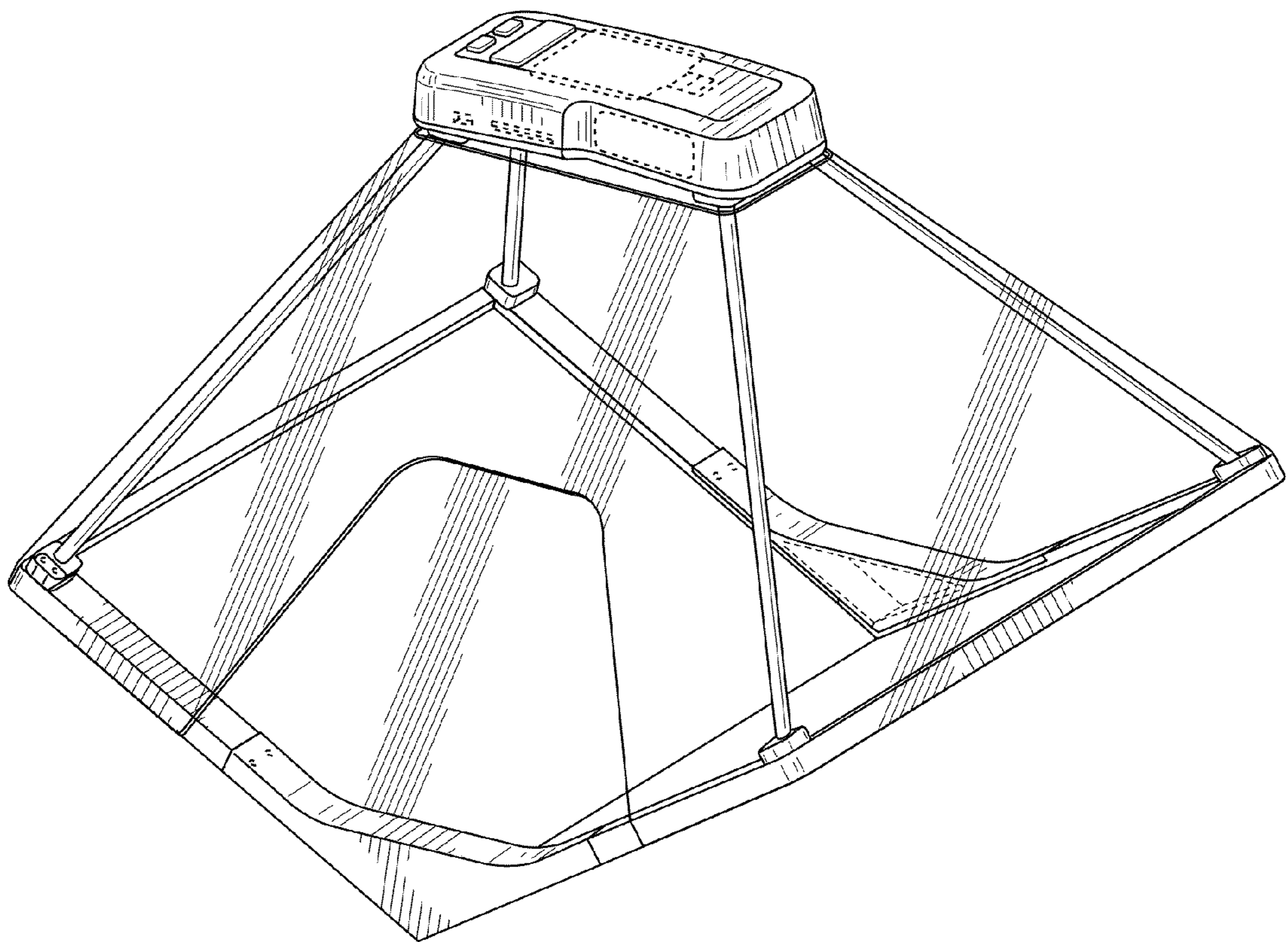


FIG. 1

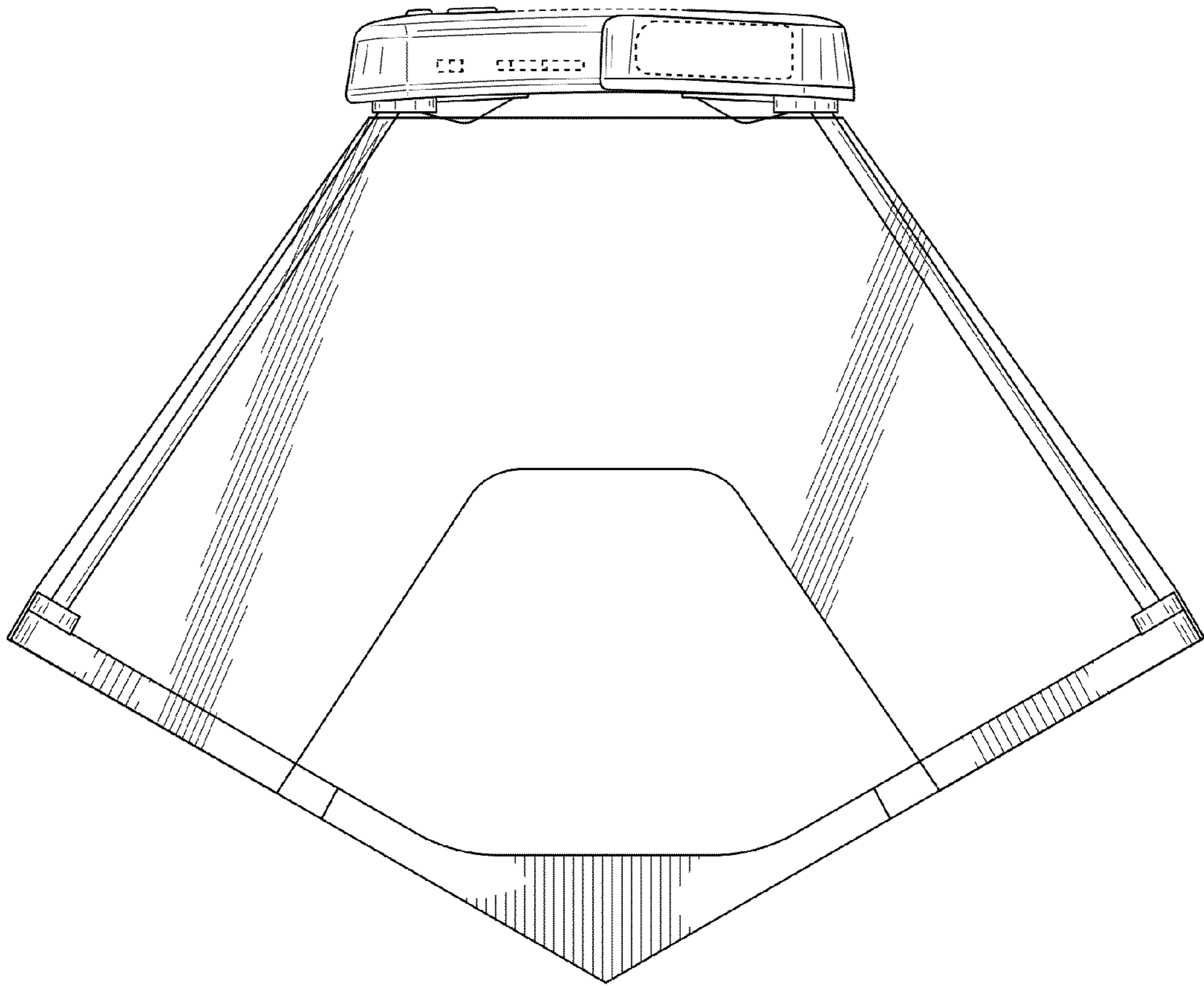


FIG. 2

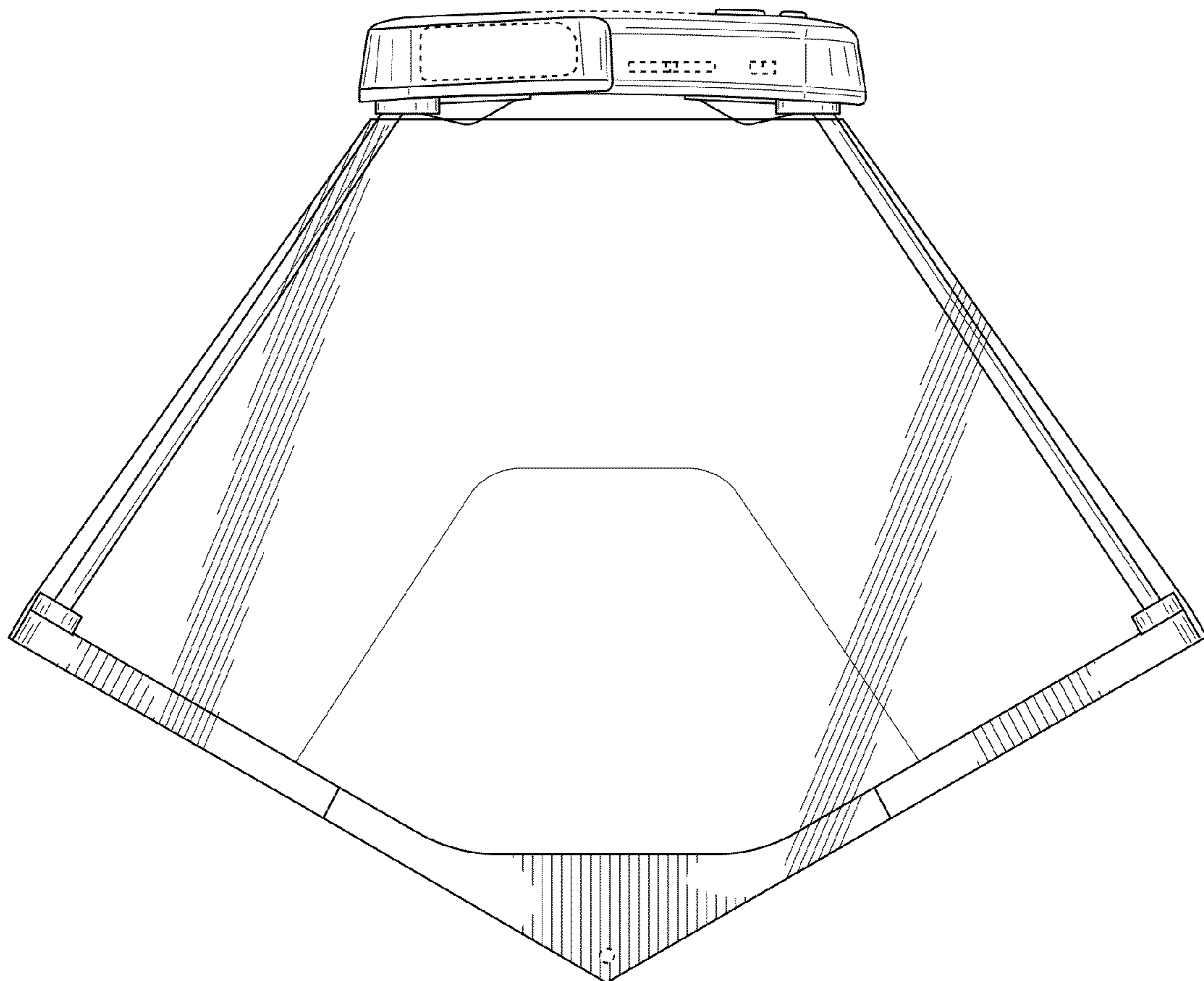


FIG. 3

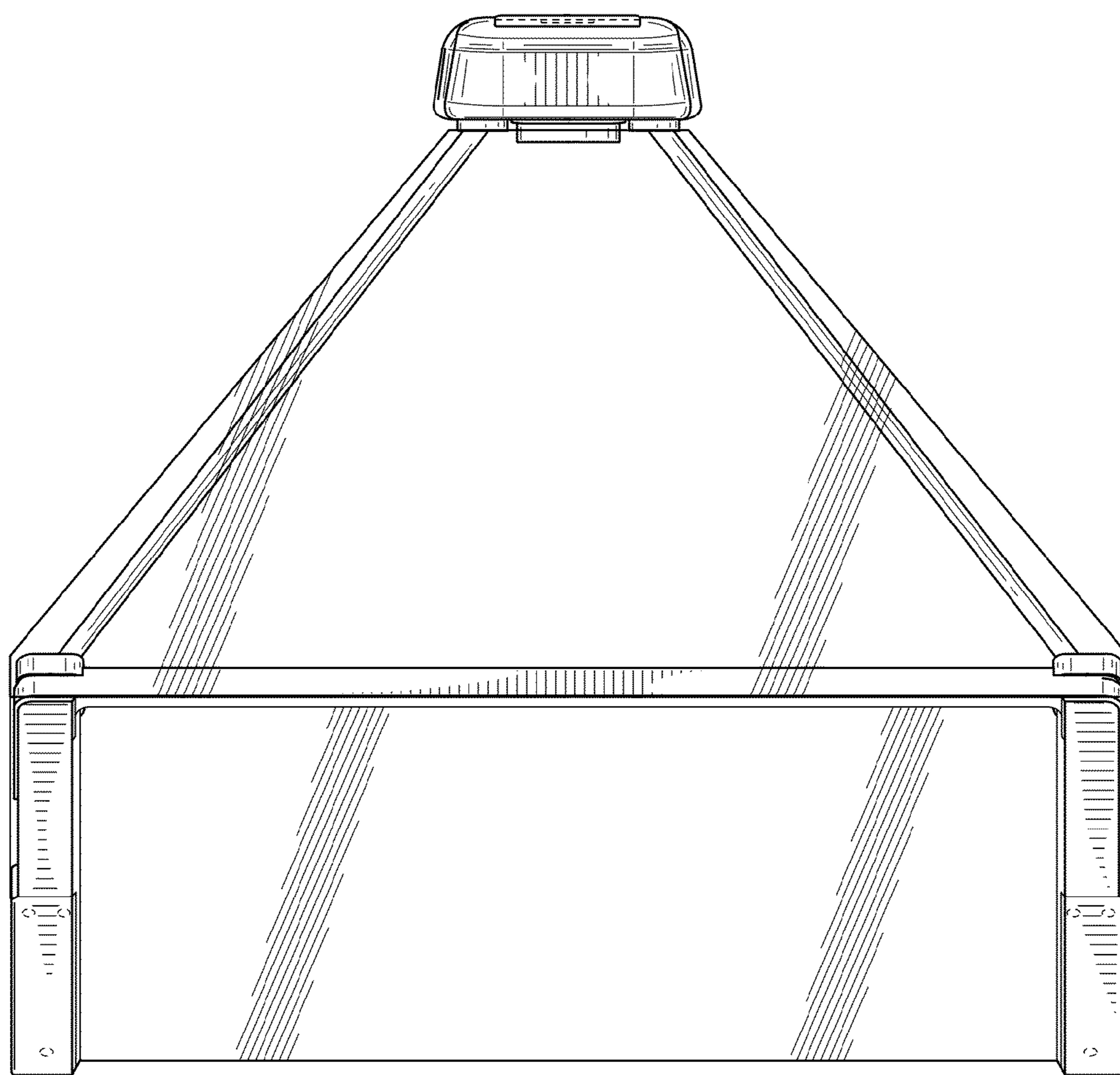


FIG. 4

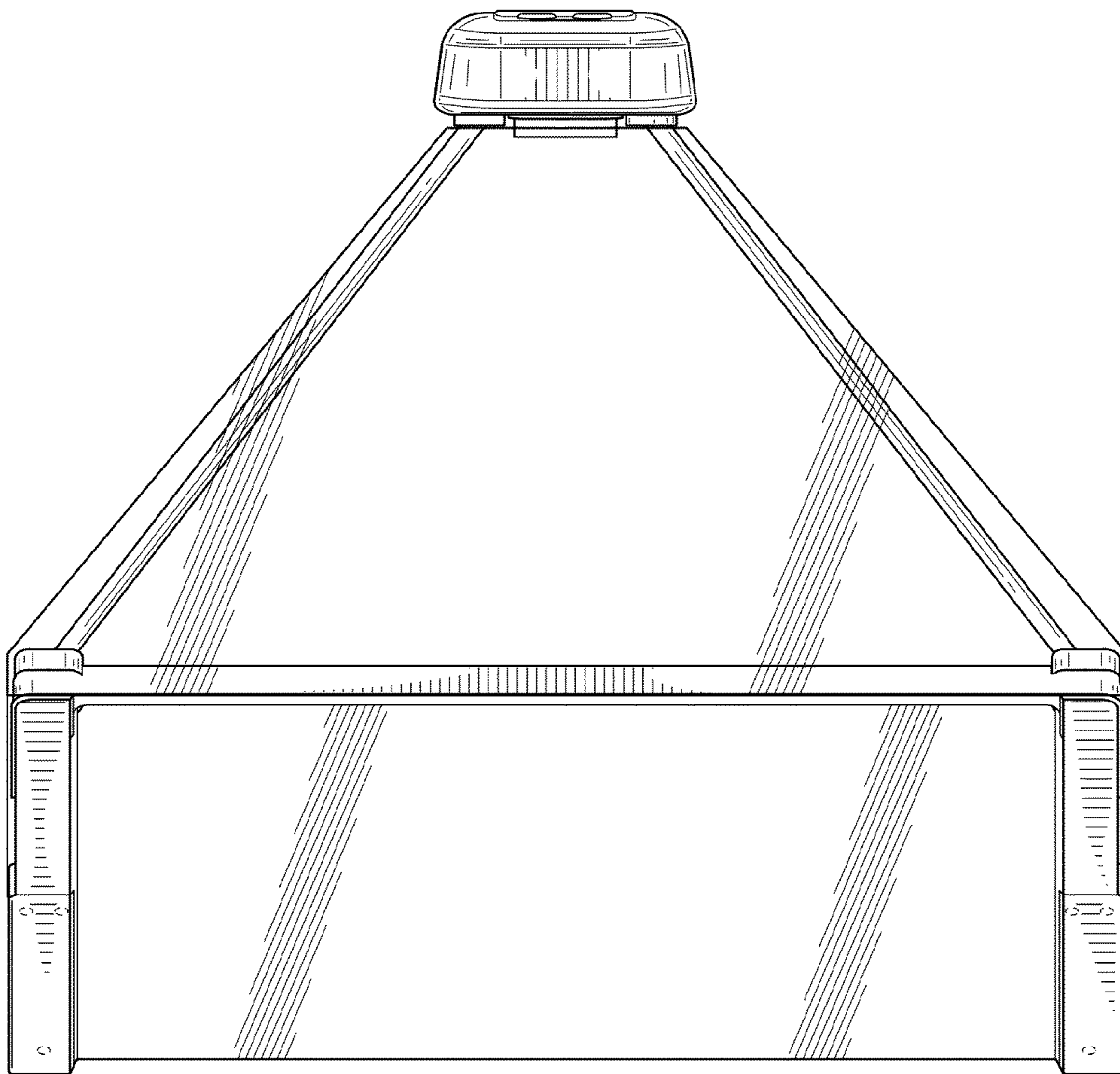


FIG. 5

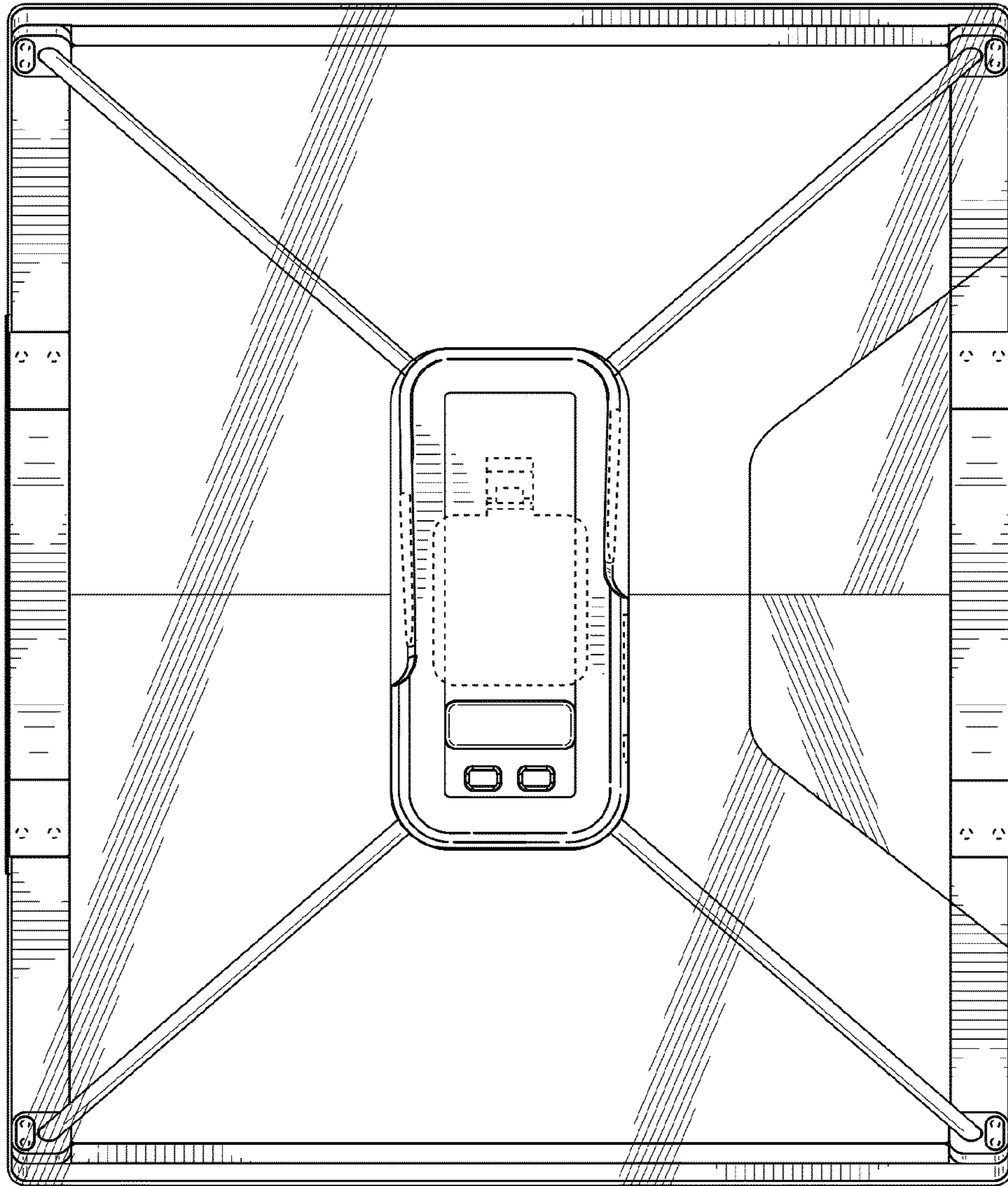


FIG. 6

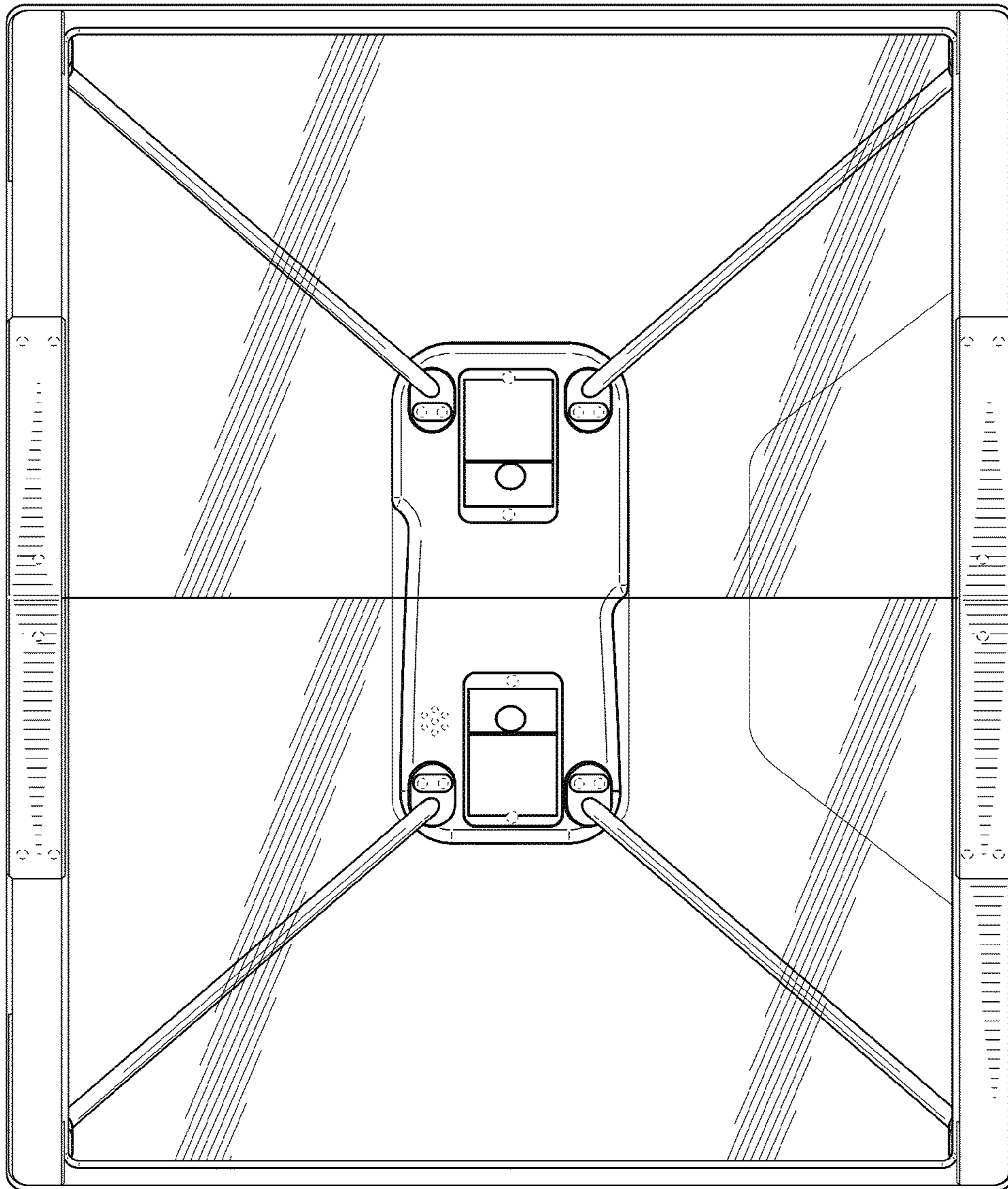


FIG. 7

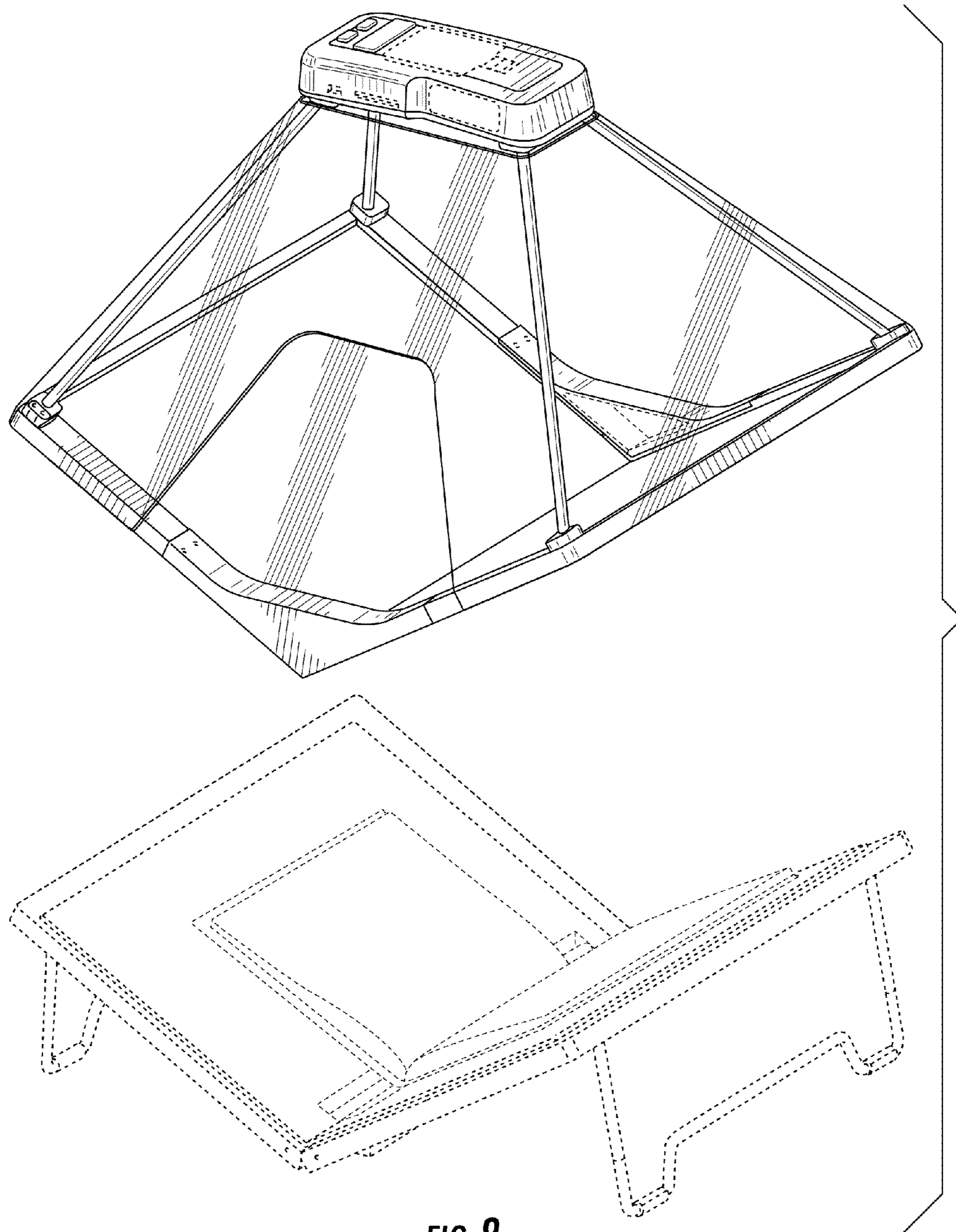


FIG. 8