



US00D679701S

(12) **United States Design Patent**  
**Adelman et al.**

(10) **Patent No.:** **US D679,701 S**  
(45) **Date of Patent:** **\*\* Apr. 9, 2013**

(54) **GRIPPING ATTACHMENT FOR A PORTABLE ELECTRONIC DEVICE CASE**

(75) Inventors: **Greg M. Adelman**, Boulder, CO (US);  
**William R. Brennan, Jr.**, Longmont, CO (US); **Richard N. Case**, Boulder, CO (US)

(73) Assignee: **Nite Ize, Inc.**, Boulder, CO (US)

(\*\*) Term: **14 Years**

(21) Appl. No.: **29/410,577**

(22) Filed: **Jan. 9, 2012**

**Related U.S. Application Data**

(63) Continuation-in-part of application No. 13/196,762, filed on Aug. 2, 2011.

(51) **LOC (9) Cl.** ..... **14-03**

(52) **U.S. Cl.** ..... **D14/253**

(58) **Field of Classification Search** ..... D14/140, D14/217, 224, 224.1, 229, 240, 243, 250-253, D14/299, 344, 434, 447, 451-452, 483, 496; 24/130, 129 R, 129 A, 68 F, 71.1, 16 R; 361/679.41; 439/534; 320/115, 116, 107; D8/355, 363, D8/356, 382; 362/253; 379/449, 455, 165; 248/122.1, 127, 157, 205.8, 206.2, 279.1, 248/205.5, 309.1, 309.3, 352; D3/201, 218, D3/269, 273, 301; 264/279.1; 224/666  
See application file for complete search history.

(56) **References Cited**

**U.S. PATENT DOCUMENTS**

757,820	A *	4/1904	Lykke	.....	24/130
1,251,778	A *	1/1918	Humble	.....	24/130
1,407,406	A *	2/1922	Glazebrook	.....	24/129 R
2,118,875	A	5/1938	Windheim		
2,530,695	A	11/1950	Helmert		
2,542,601	A	2/1951	Van Cleef		
3,257,054	A	6/1966	Miesel		
3,426,393	A	2/1969	Mead		
3,543,353	A	12/1970	Meehan		
3,564,667	A	2/1971	Parrick, III et al.		

3,757,429	A	9/1973	Sumino		
3,768,711	A	10/1973	Wilkinson		
3,806,358	A	4/1974	Glander et al.		
3,930,288	A *	1/1976	Black et al.	.....	24/129 R
3,947,927	A	4/1976	Rosenthal		
3,960,302	A	6/1976	Mazzoni, Jr.		
3,997,945	A *	12/1976	Robins	.....	24/129 R
4,015,762	A	4/1977	Mendillo		

(Continued)

**OTHER PUBLICATIONS**

Nite Ize Connect Mobile Mount, Published on Aug. 17, 2012 by Nitelzelnc, <URL:http://www.youtube.com/watch?v=4LDiXufkDgY>, retrieved from internet on Nov. 14, 2012.\*

(Continued)

*Primary Examiner* — Carla Jobe Wright

(74) *Attorney, Agent, or Firm* — Patton Boggs LLP

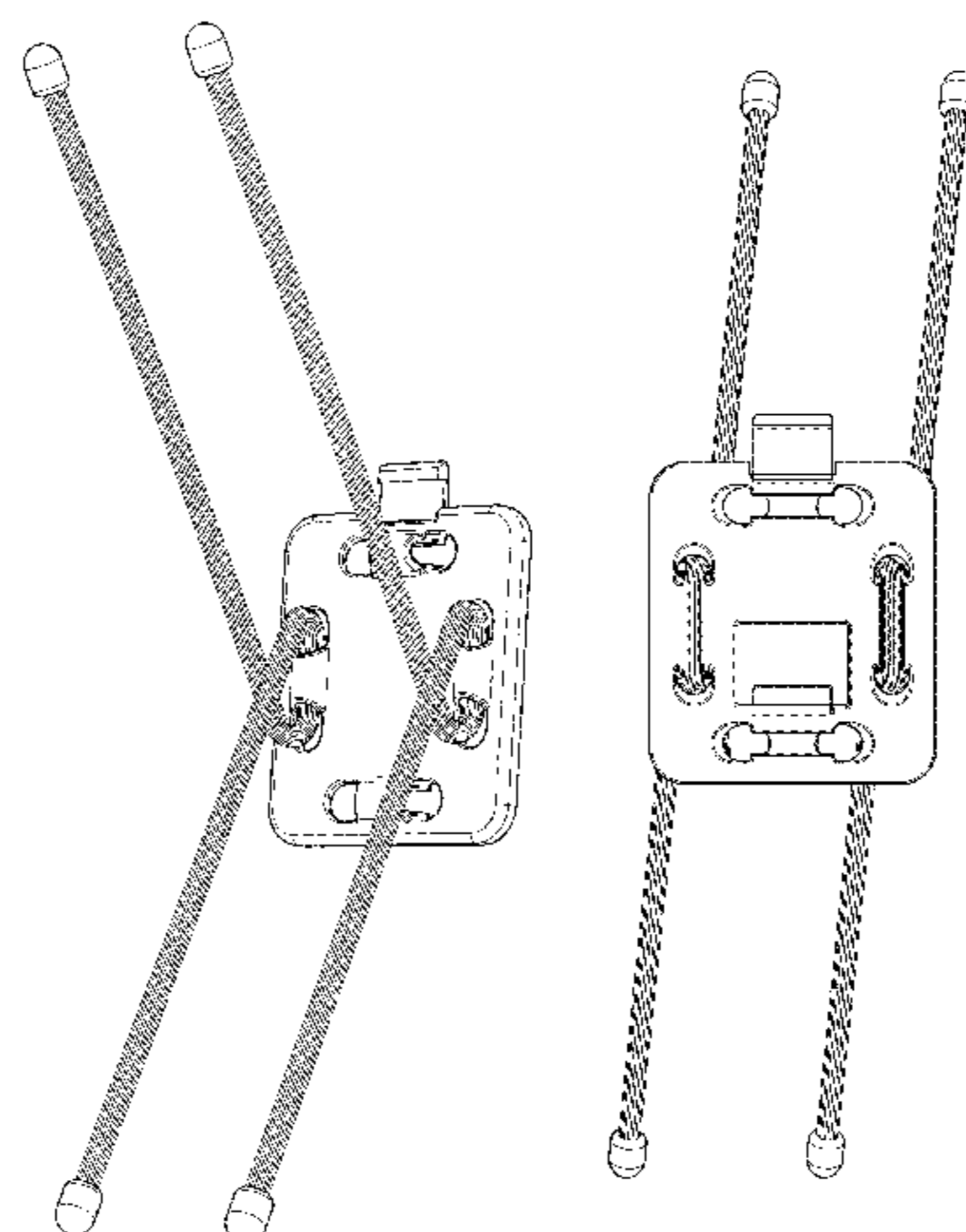
(57) **CLAIM**

The ornamental design for a gripping attachment for a portable electronic device case, as shown and described.

**DESCRIPTION**

FIG. 1 is a front perspective view of a gripping attachment for a portable electronic device case.  
FIG. 2 is a back perspective view of the gripping attachment for a portable electronic device case of FIG. 1;  
FIG. 3 is a front view of the gripping attachment for a portable electronic device case of FIG. 1;  
FIG. 4 is a back view of the gripping attachment for a portable electronic device case of FIG. 1;  
FIG. 5 is a left side view of the gripping attachment for a portable electronic device case of FIG. 1;  
FIG. 6 is a right side view of the gripping attachment for a portable electronic device case of FIG. 1;  
FIG. 7 is a top view of the gripping attachment for a portable electronic device case of FIG. 1; and,  
FIG. 8 is a bottom view of the gripping attachment for a portable electronic device case of FIG. 1.

**1 Claim, 8 Drawing Sheets**



# US D679,701 S

Page 2

## U.S. PATENT DOCUMENTS

4,120,437 A 10/1978 Hara  
4,463,885 A 8/1984 Ball et al.  
4,483,470 A 11/1984 Cousins  
4,484,378 A 11/1984 Kimura et al.  
4,488,748 A 12/1984 Burkes  
4,531,661 A 7/1985 Santy  
4,540,006 A 9/1985 Collis  
4,553,779 A 11/1985 Shortridge  
4,641,454 A 2/1987 Ray et al.  
4,648,414 A 3/1987 Fox et al.  
4,666,417 A 5/1987 Hillman  
4,753,355 A 6/1988 Hall et al.  
4,761,053 A 8/1988 Cogelia et al.  
4,817,837 A 4/1989 Grover  
4,834,118 A 5/1989 Goeller  
4,856,689 A 8/1989 Shore  
4,867,478 A 9/1989 Anderson  
4,915,996 A 4/1990 Curry  
D308,205 S \* 5/1990 Tholberg ..... D14/253  
D310,909 S 10/1990 Bradtl  
5,054,299 A 10/1991 Maveety  
5,056,820 A 10/1991 Des Prez  
5,104,017 A 4/1992 Vandagriff  
5,190,336 A 3/1993 Palz  
5,199,135 A 4/1993 Gold  
5,234,370 A 8/1993 Shapero et al.  
5,310,376 A 5/1994 Mayuzumi et al.  
5,437,401 A 8/1995 Seltzer  
5,468,036 A 11/1995 Brown  
5,498,190 A 3/1996 Ganson  
5,590,422 A 1/1997 Henderson  
D377,798 S \* 2/1997 Heine ..... D14/253  
5,664,589 A 9/1997 Black  
5,714,211 A 2/1998 Zinbarg et al.  
5,769,994 A 6/1998 Booz et al.  
5,853,212 A 12/1998 Daniel  
5,916,006 A 6/1999 Ganson  
D426,235 S \* 6/2000 Phirippidis et al. .... D14/253  
6,113,170 A 9/2000 Daniel  
6,114,036 A 9/2000 Rinehart et al.  
D438,536 S \* 3/2001 Willison et al. .... D14/253  
6,206,542 B1 3/2001 Case et al.  
6,237,740 B1 5/2001 Weatherall et al.  
6,332,052 B1 12/2001 Luther et al.  
6,372,344 B1 4/2002 Castellani et al.  
6,473,944 B1 \* 11/2002 Vazin ..... 24/129 R  
D493,280 S \* 7/2004 Tabata ..... D3/218  
D499,546 S \* 12/2004 Smithers ..... D3/218  
6,848,663 B2 2/2005 Olive  
D508,605 S \* 8/2005 Hwang et al. .... D3/218  
7,011,879 B1 3/2006 Contreras et al.

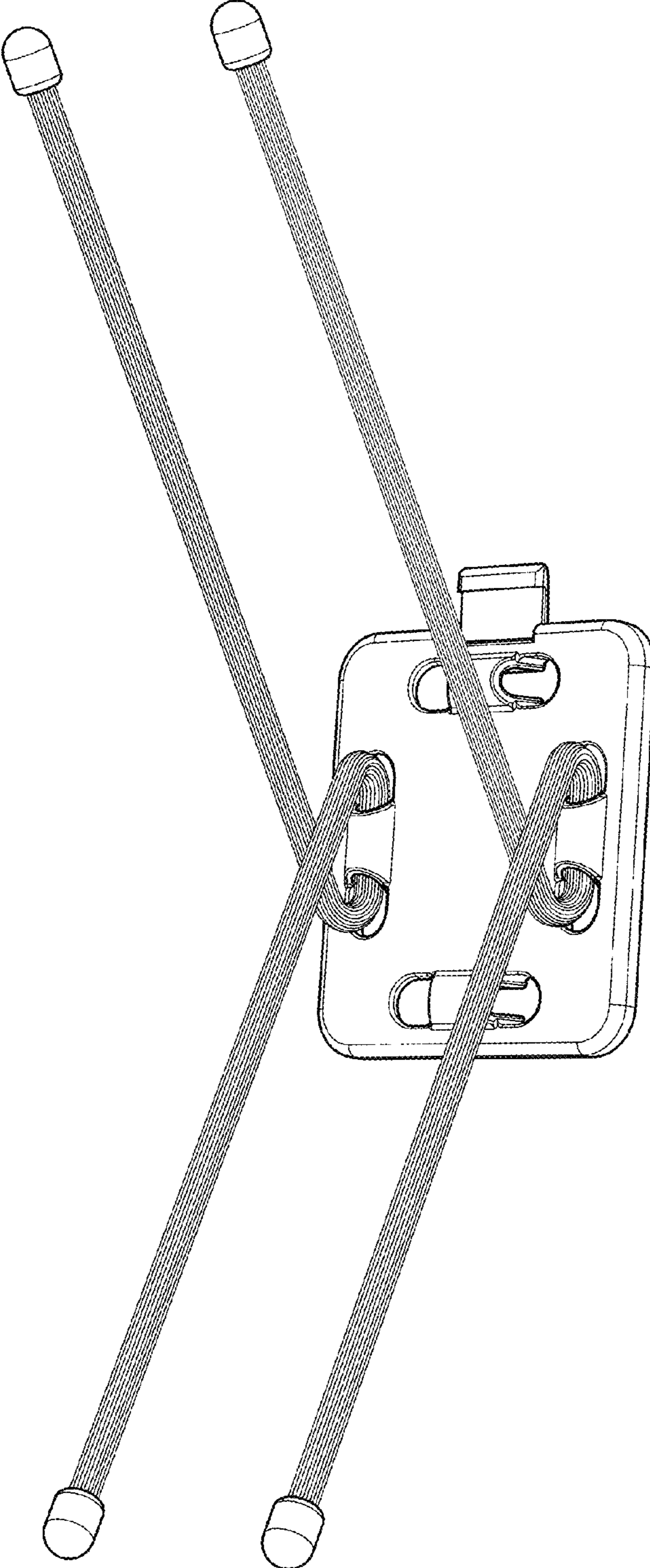
7,123,801 B2 10/2006 Fitz  
D533,994 S \* 12/2006 Hussaini et al. .... D3/218  
D534,004 S \* 12/2006 Waniga ..... D6/300  
7,192,069 B1 3/2007 Daniel  
7,250,213 B2 7/2007 Duncan  
D565,290 S \* 4/2008 Brandenburg et al. .... D3/218  
7,377,828 B2 5/2008 Cheung  
D586,795 S \* 2/2009 Richter ..... D14/253  
D617,093 S \* 6/2010 Pedersen et al. .... D3/218  
D654,914 S \* 2/2012 Martin ..... D14/250  
D655,081 S \* 3/2012 Maravilla et al. .... D3/218  
D658,169 S \* 4/2012 Mo ..... D14/253  
D669,618 S \* 10/2012 Ormsbee et al. .... D26/62  
D669,619 S \* 10/2012 Ormsbee et al. .... D26/62  
2002/0028336 A1 3/2002 Jaccoud  
2002/0118535 A1 8/2002 Nostrant  
2003/0019894 A1 \* 1/2003 Caldana ..... 224/165  
2005/0093205 A1 5/2005 Martin et al.  
2005/0211357 A1 9/2005 Ren  
2005/0274211 A1 12/2005 Edgman  
2008/0124544 A1 5/2008 Alexander et al.  
2008/0254281 A1 10/2008 Chen et al.  
2009/0000086 A1 1/2009 Bing  
2009/0095854 A1 4/2009 Forbes et al.  
2009/0140016 A1 6/2009 Case et al.  
2011/0286217 A1 \* 11/2011 Martinson et al. .... 362/253

## OTHER PUBLICATIONS

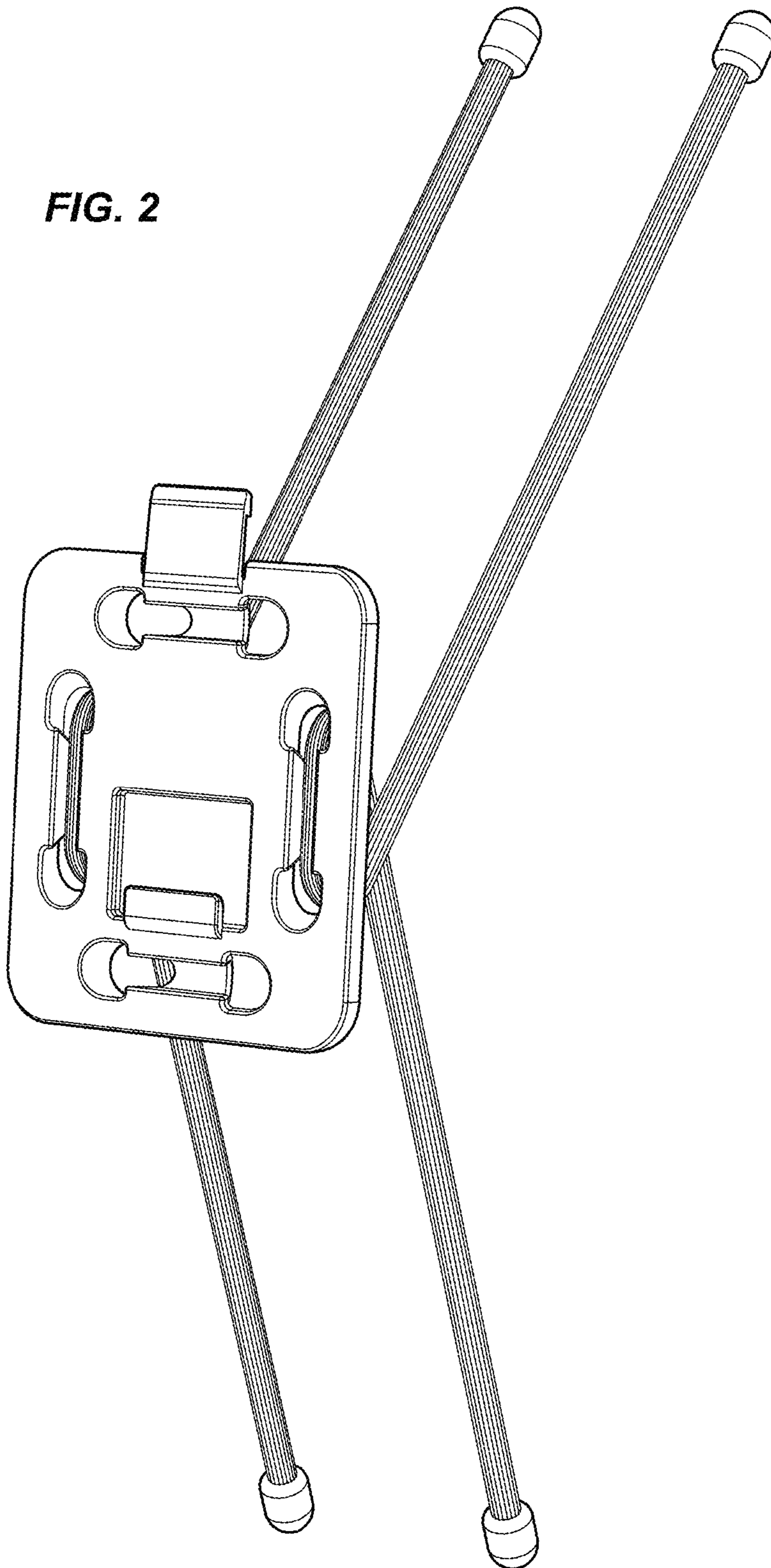
Nite Ize Connect Mobile Mount, Posted Aug. 10, 2012 by Daniel Turk, <URL:http://www.maclife.com/article/reviews/best\_case\_scenario\_nite\_ize\_connect\_case\_and\_mobile\_mount>, retrieved from internet on Nov. 14, 2012.\*  
Acor Volara 4E foam padding, <URL:http://www.acor.com/volara.htm>, retrieved from internet on Nov. 15, 2012.\*  
U.S. Appl. No. 12/247,523 Non-Final Office Action dated Jan. 31, 2012, 7 pages.  
U.S. Appl. No. 12/247,523 Non-Final Office Action dated Jul. 13, 2011, 9 pages.  
Acor, Acor present Volara 4E, Mar. 2, 2008; http://acor.com/volara.htm.  
International Search Report dated Dec. 9, 2011, in related PCT Application No. PCT/US2011/046304, 3 pages.  
Web page illustration from web site illustrating Grip Twist lock and carry device; griptwist.com; Dakota Trading corporation, 2008.  
Web page illustration from web site illustrating reusable silicone coated Sili Twists; www.wrapables.com; Wrapables, 2008.

\* cited by examiner

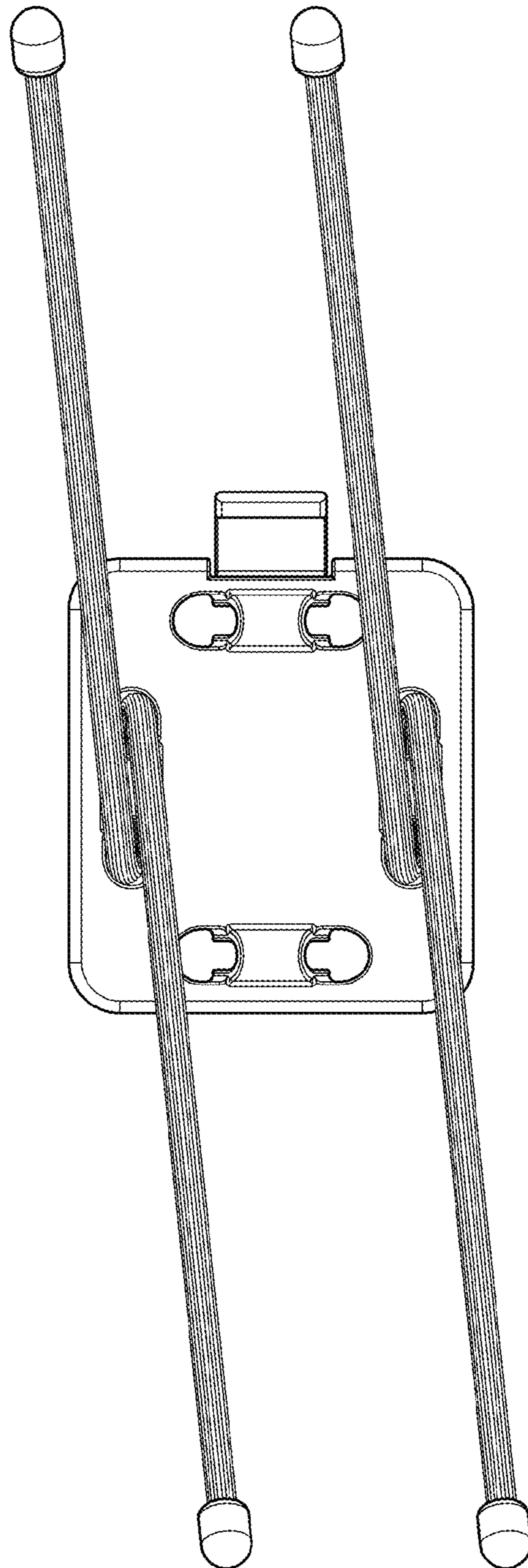
FIG. 1



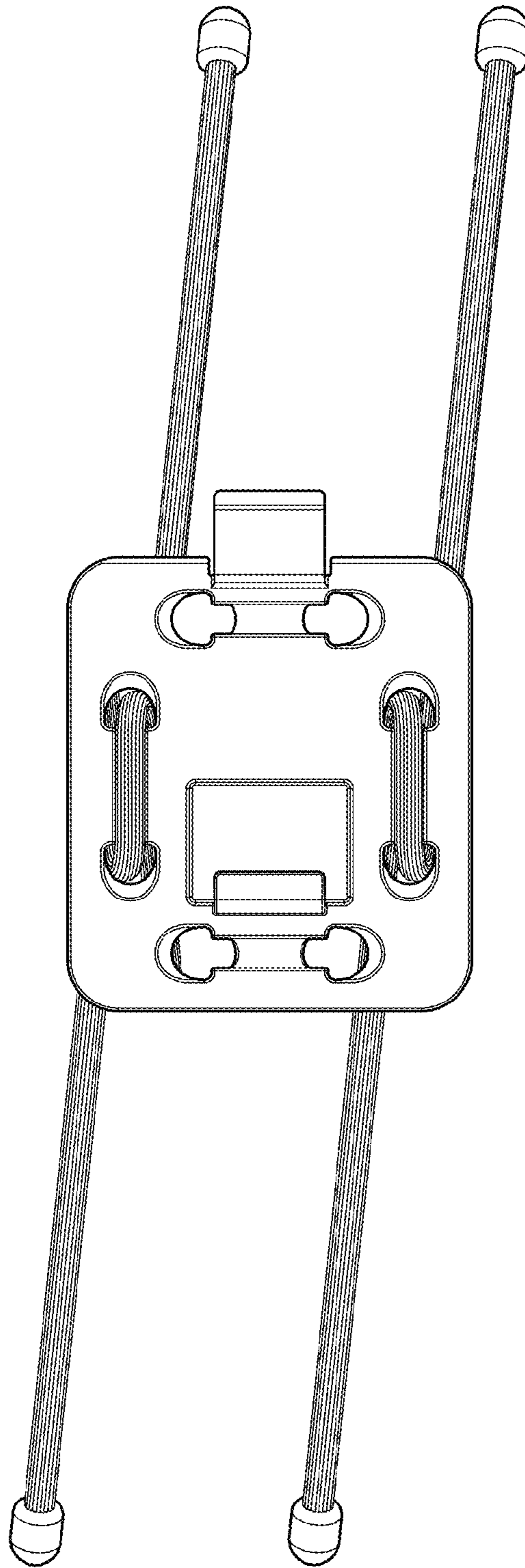
**FIG. 2**



**FIG. 3**



**FIG. 4**



**FIG. 5**

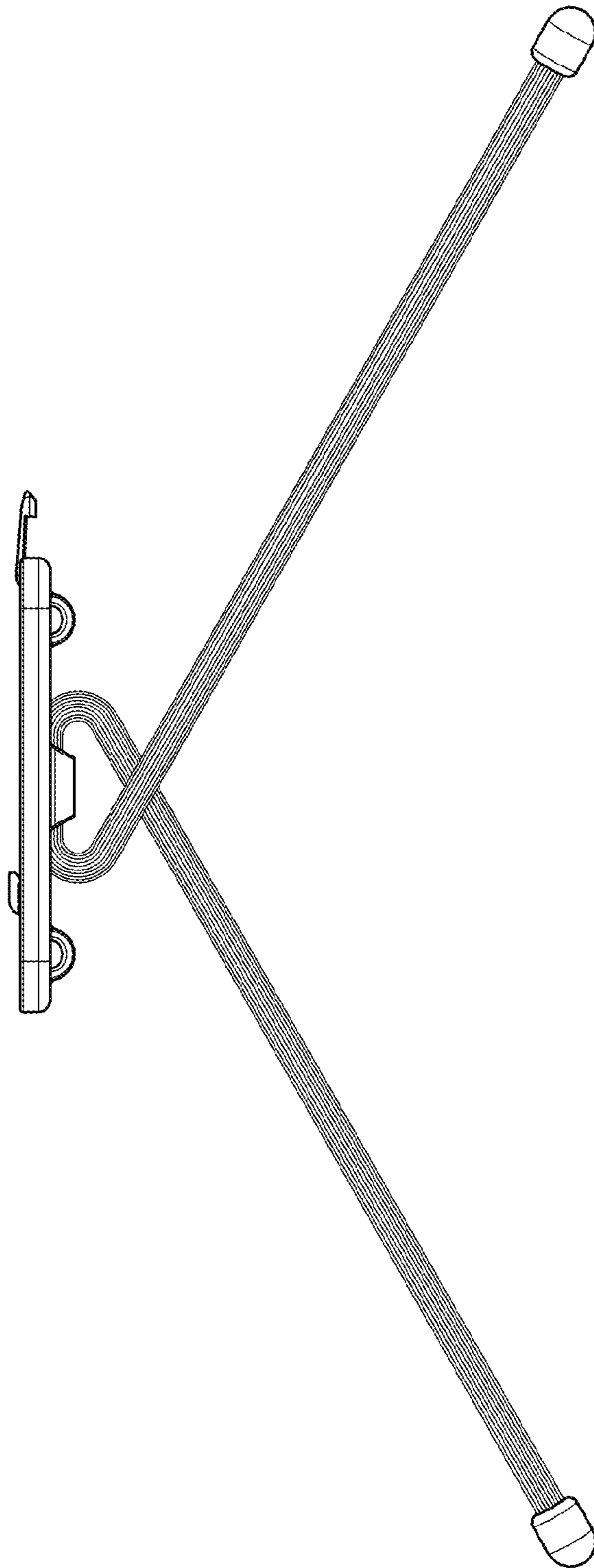
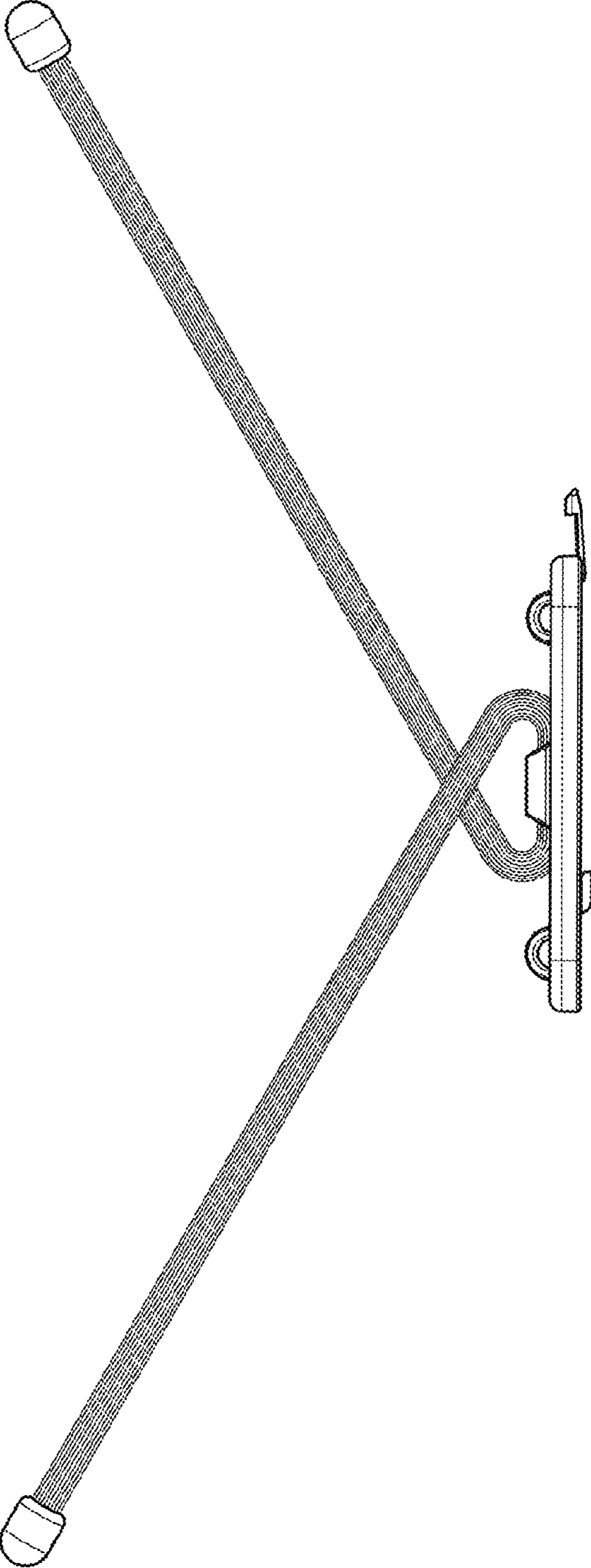
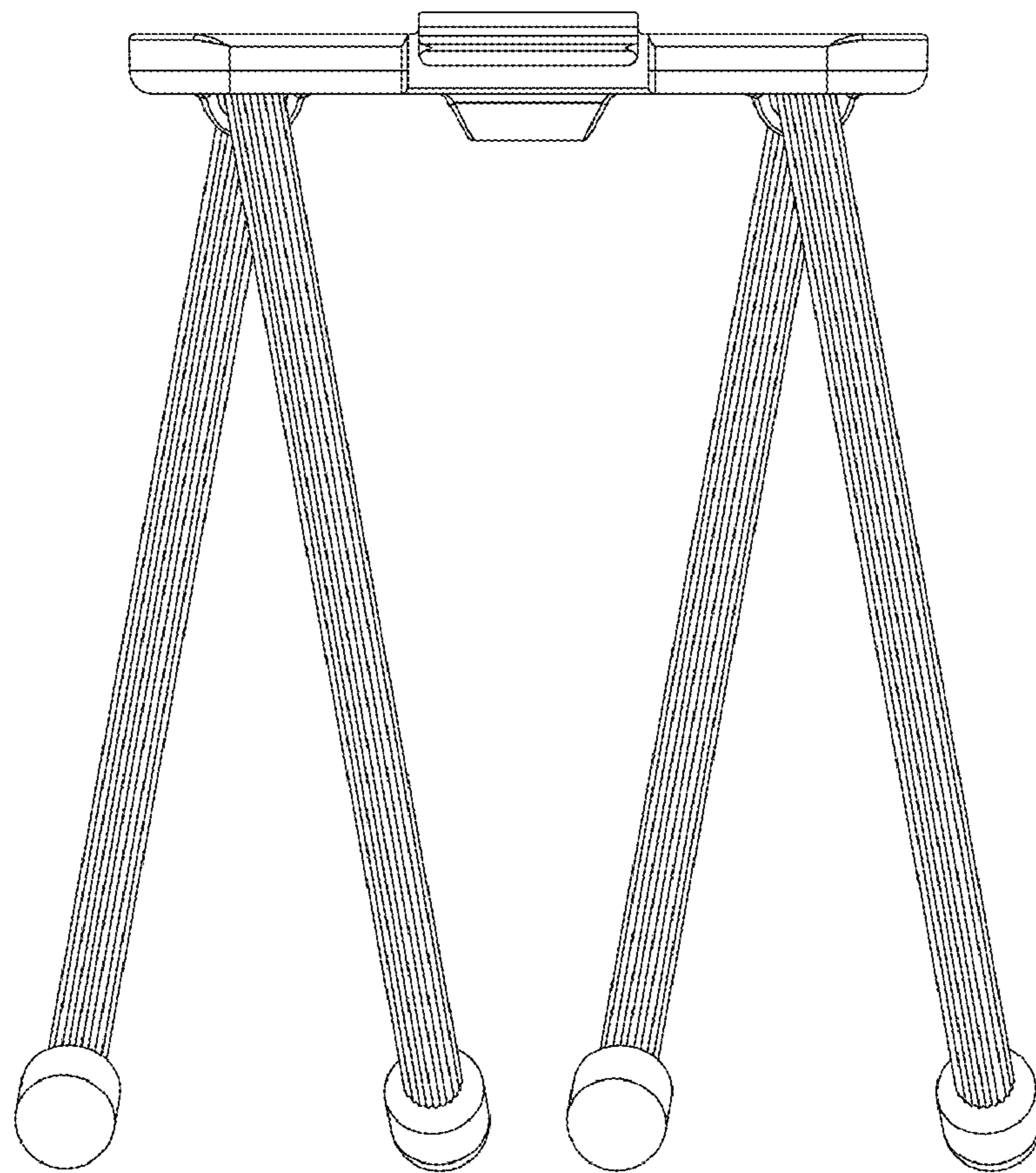


FIG. 6





**FIG. 7**



**FIG. 8**

