



US00D679700S

(12) **United States Design Patent**  
**Werth**

(10) **Patent No.:** **US D679,700 S**

(45) **Date of Patent:** **\*\* Apr. 9, 2013**

(54) **VIEWING STAND**

(75) Inventor: **Albert A. Werth**, Kewadin, MI (US)

(73) Assignee: **Saint-Gobain Performance Plastics Corporation**, Aurora, OH (US)

(\*\*) Term: **14 Years**

(21) Appl. No.: **29/394,706**

(22) Filed: **Jun. 21, 2011**

**Related U.S. Application Data**

(63) Continuation of application No. 29/368,007, filed on Aug. 17, 2010, now Pat. No. Des. 658,168.

(51) **LOC (9) Cl.** ..... **14-03**

(52) **U.S. Cl.**

USPC ..... **D14/253**

(58) **Field of Classification Search** ..... D14/140,

D14/217, 224, 224.1, 229, 240, 243, 250–253,

D14/299, 344, 434, 447, 451–452, 483, 496;

D13/108; 361/679.41; 439/534; 320/115,

320/116, 107; D8/355, 363; D12/415, 418;

379/449, 455, 165; 248/122.1, 127, 157,

248/205.8, 206.2, 279.1, 205.5, 309.1, 309.3,

248/352; D3/201, 218, 269, 273, 301; D11/79;

63/26

See application file for complete search history.

(56) **References Cited**

**U.S. PATENT DOCUMENTS**

6,193,546	B1	2/2001	Sadler	
D471,548	S	3/2003	Zheng	
6,672,549	B2	1/2004	Kolb	
6,971,622	B2	12/2005	Ziegler et al.	
D554,647	S *	11/2007	Chan	D14/447
D557,259	S	12/2007	Hirsch	
D574,375	S	8/2008	Prest et al.	
D626,964	S *	11/2010	Richardson et al.	D14/447
D639,816	S *	6/2011	Bau	D14/447
D658,168	S *	4/2012	Werth	D14/253
D659,147	S *	5/2012	Hu et al.	D14/447
D663,294	S *	7/2012	Buxton	D14/250
D664,528	S *	7/2012	Chen et al.	D14/253

2004/0097127 A1 \* 5/2004 Smith et al. .... 439/533

2005/0263666 A1 12/2005 Kim

2008/0156836 A1 7/2008 Wadsworth et al.

2009/0060473 A1 3/2009 Kohte et al.

2009/0179132 A1 \* 7/2009 Qin et al. .... 248/371

**FOREIGN PATENT DOCUMENTS**

JP 2005142671 A 6/2005

\* cited by examiner

*Primary Examiner* — Raphael Barkai

*Assistant Examiner* — Randall Gholson

(74) *Attorney, Agent, or Firm* — Abel Law Group, LLP; Chi S. Kim

(57) **CLAIM**

The ornamental design for a viewing stand, as shown and described.

**DESCRIPTION**

FIG. 1 is a top perspective view of an embodiment of the viewing stand in an assembled configuration;

FIG. 2 is a bottom perspective view of the viewing stand of FIG. 1;

FIG. 3 is a front elevational view of the viewing stand of FIG. 1;

FIG. 4 is a rear elevational view of the viewing stand of FIG. 1;

FIG. 5 is a left side elevational view of the viewing stand of FIG. 1;

FIG. 6 is a right side elevational view of the viewing stand of FIG. 1;

FIG. 7 is a top plan view of the viewing stand of FIG. 1;

FIG. 8 is a bottom plan view of the viewing stand of FIG. 1;

FIG. 9 is a top perspective view of the viewing stand of FIG. 1 in an assembled configuration;

FIG. 10 is a bottom perspective view of the viewing stand of FIG. 9;

FIG. 11 is a front elevational view of the viewing stand of FIG. 9;

FIG. 12 is a rear elevational view of the viewing stand of FIG. 9;

FIG. 13 is a left side elevational view of the viewing stand of FIG. 9;

FIG. 14 is a right side elevational view of the viewing stand of FIG. 9;

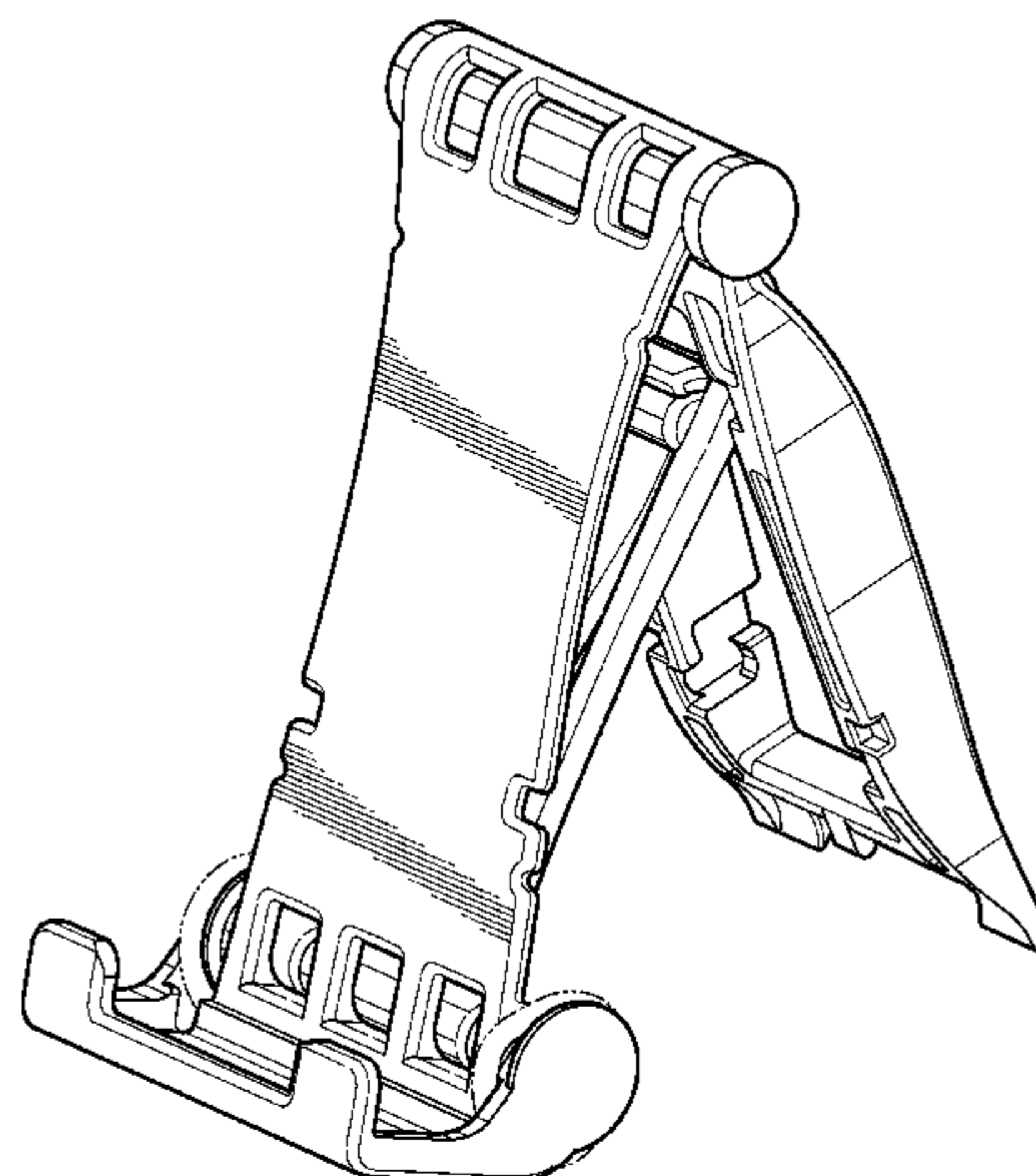


FIG. 15 is a top plan view of the viewing stand of FIG. 9;  
FIG. 16 is a bottom plan view of the viewing stand of FIG. 9;  
FIG. 17 is a top perspective view of the viewing stand of FIG. 1 in a keyboard configuration;  
FIG. 18 is a bottom perspective view of the viewing stand of FIG. 17;  
FIG. 19 is a front elevational view of the viewing stand of FIG. 17;  
FIG. 20 is a rear elevational view of the viewing stand of FIG. 17;  
FIG. 21 is a left side elevational view of the viewing stand of FIG. 17;  
FIG. 22 is a right side elevational view of the viewing stand of FIG. 17;  
FIG. 23 is a top plan view of the viewing stand of FIG. 17;  
FIG. 24 is a bottom plan view of the viewing stand of FIG. 17;  
FIG. 25 is a top perspective view of the viewing stand of FIG. 1 in a folded configuration;

FIG. 26 is a bottom perspective view of the viewing stand of FIG. 25;  
FIG. 27 is a front elevational view of the viewing stand of FIG. 25;  
FIG. 28 is a rear elevational view of the viewing stand of FIG. 25;  
FIG. 29 is a left side elevational view of the viewing stand of FIG. 25;  
FIG. 30 is a right side elevational view of the viewing stand of FIG. 25;  
FIG. 31 is a top plan view of the viewing stand of FIG. 25;  
and,  
FIG. 32 is a bottom plan view of the viewing stand of FIG. 25.  
The broken lines shown on the drawings are included for the purpose of illustrating environment and form no part of the claimed design.

**1 Claim, 23 Drawing Sheets**

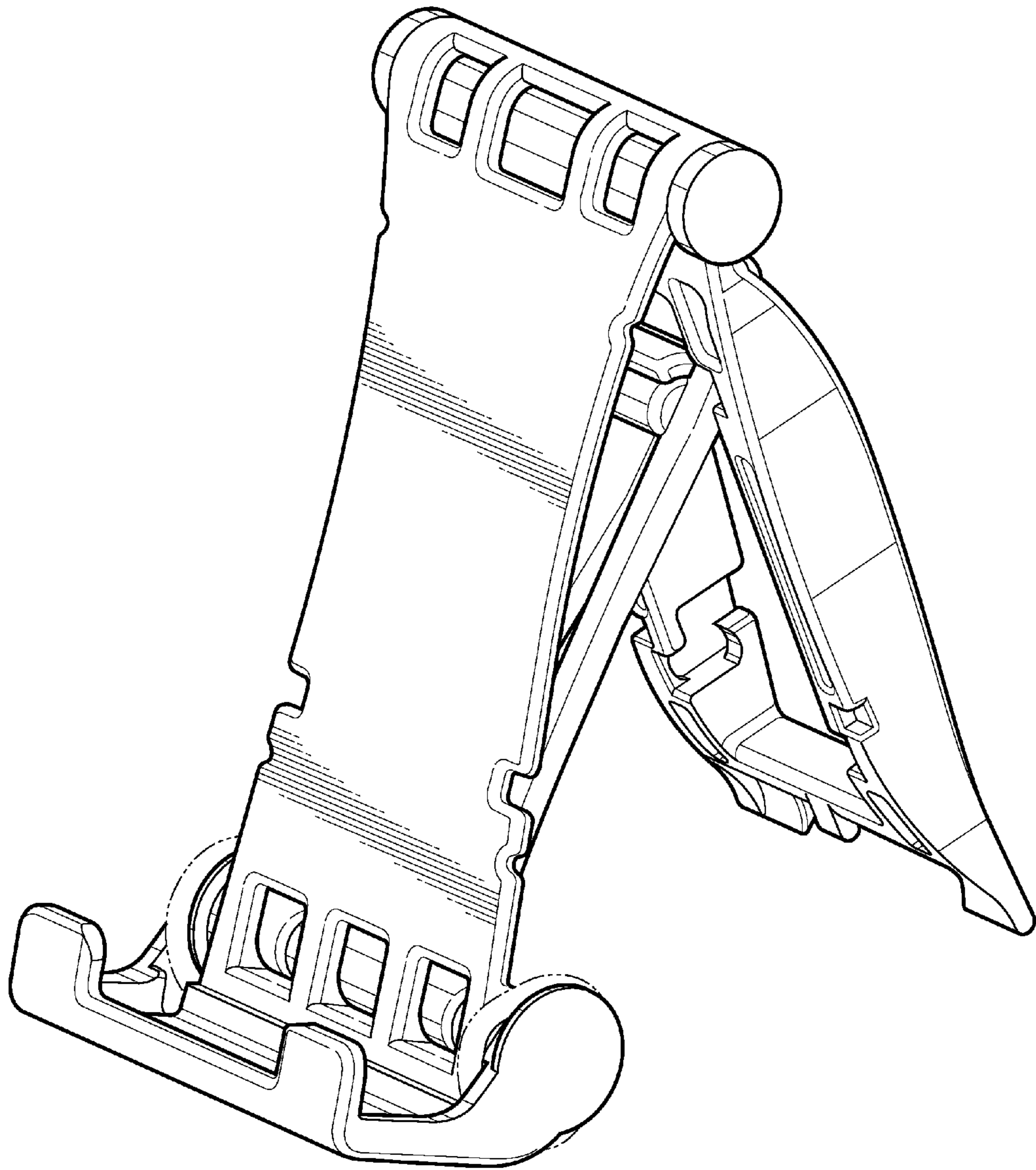


FIG. 1

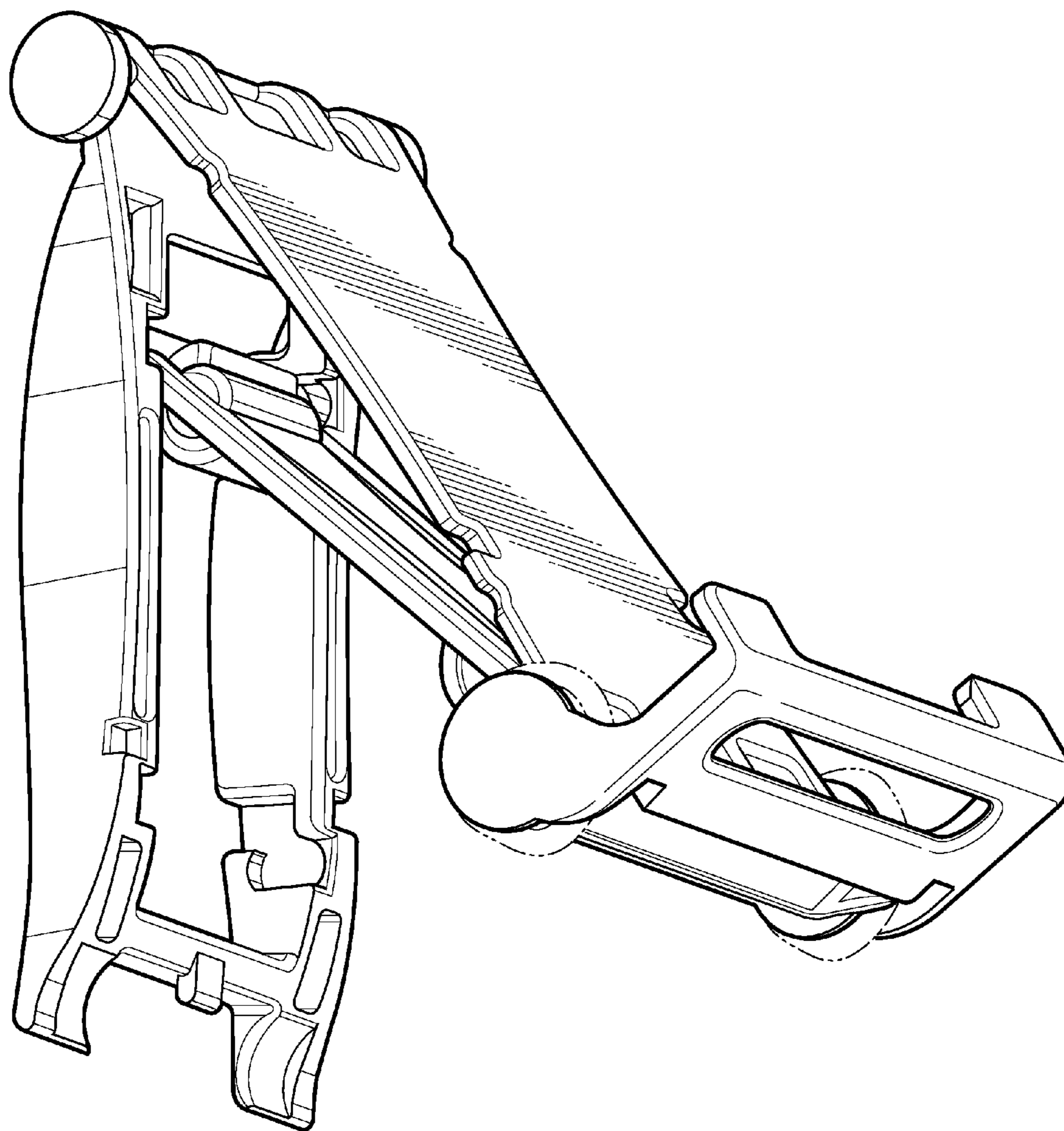


FIG. 2

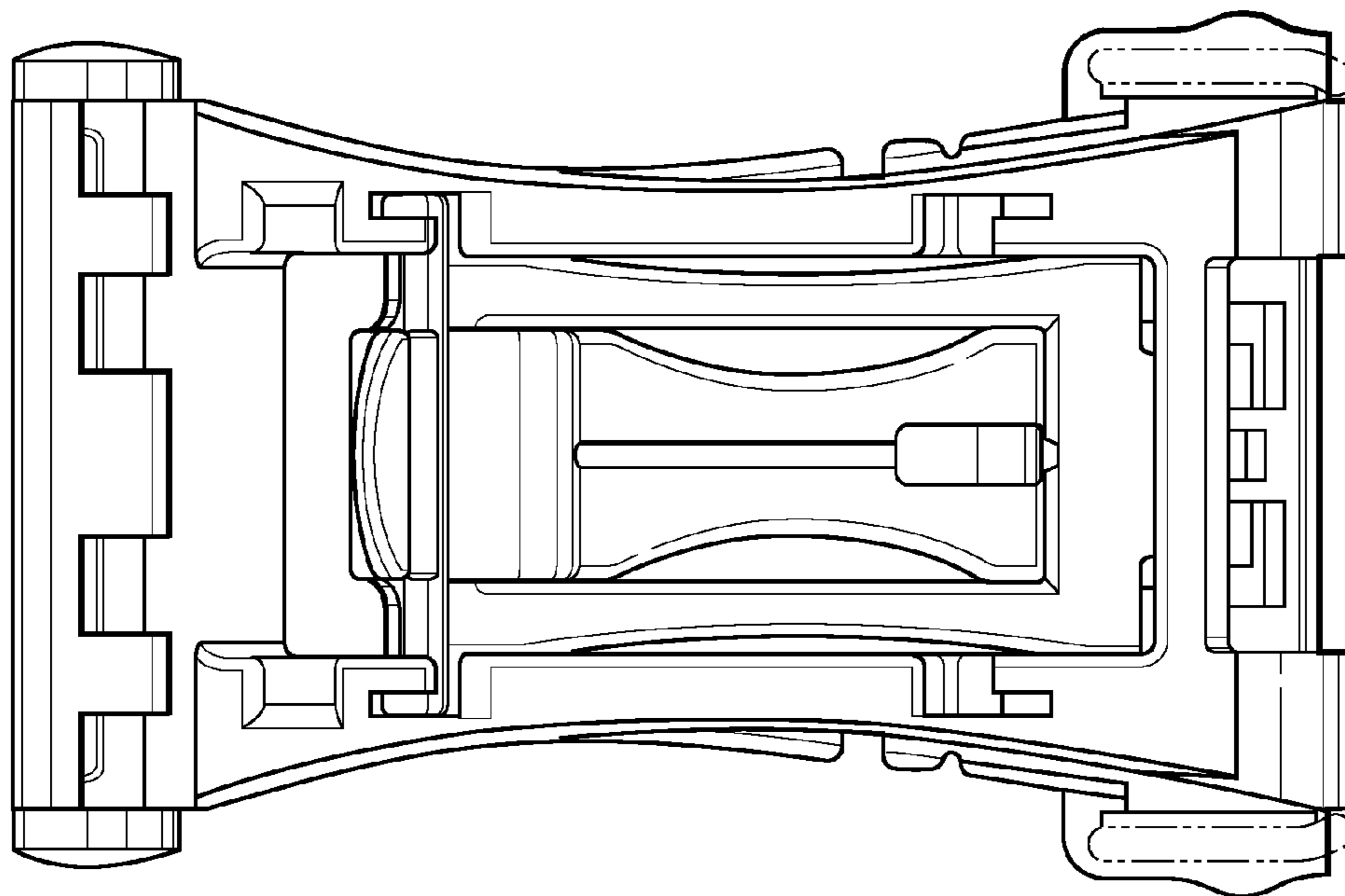


FIG. 4

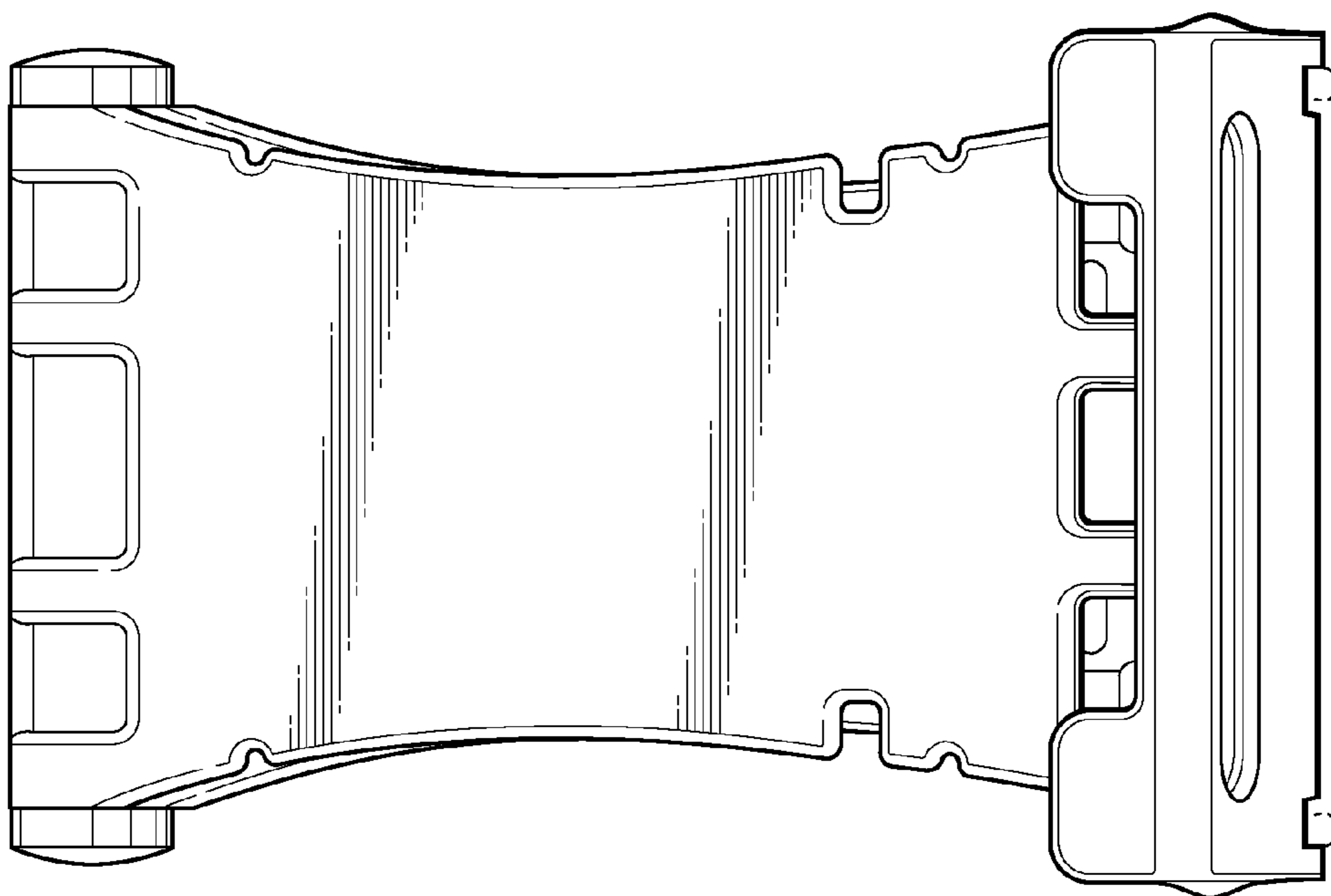


FIG. 3

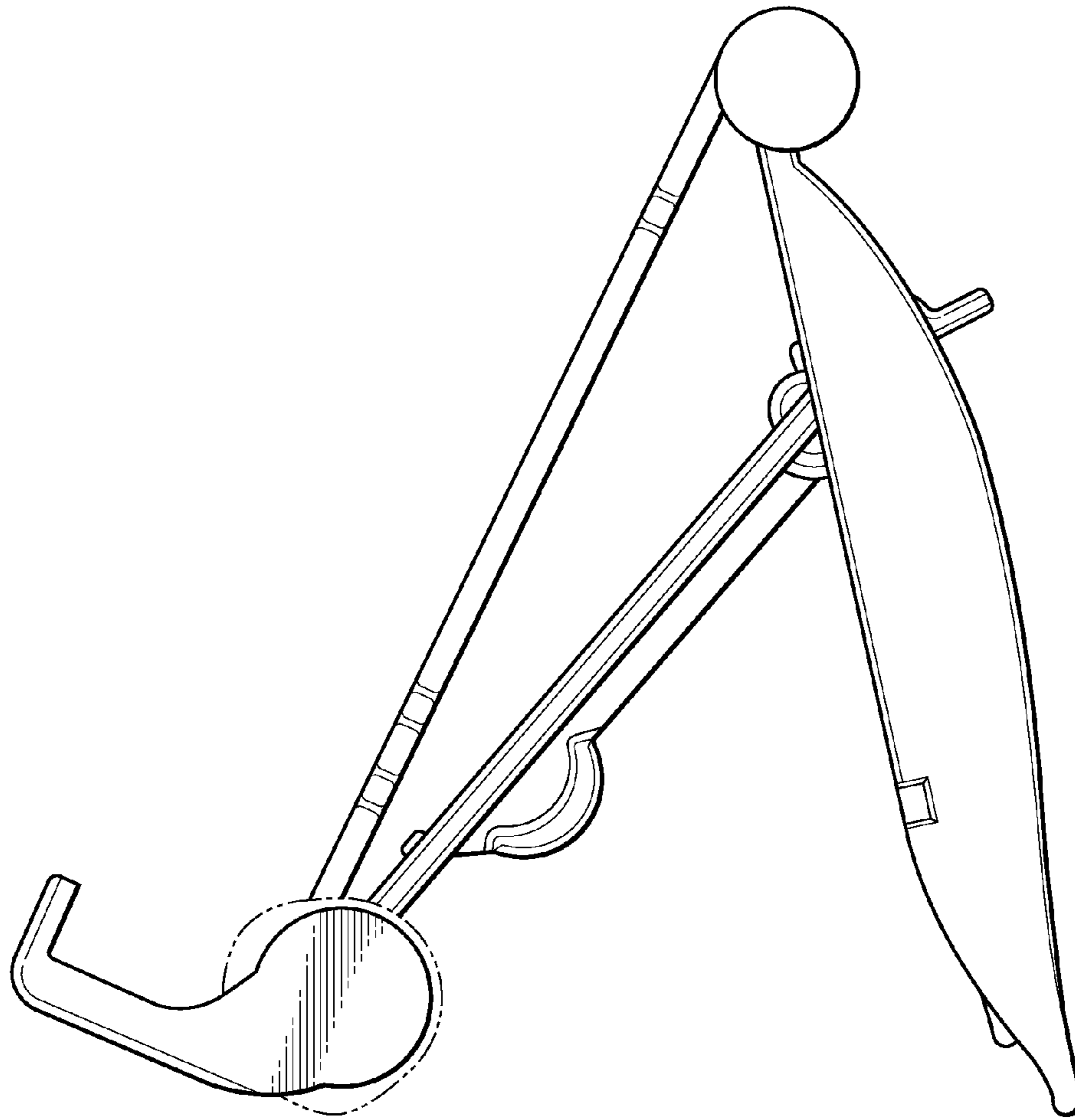


FIG. 5

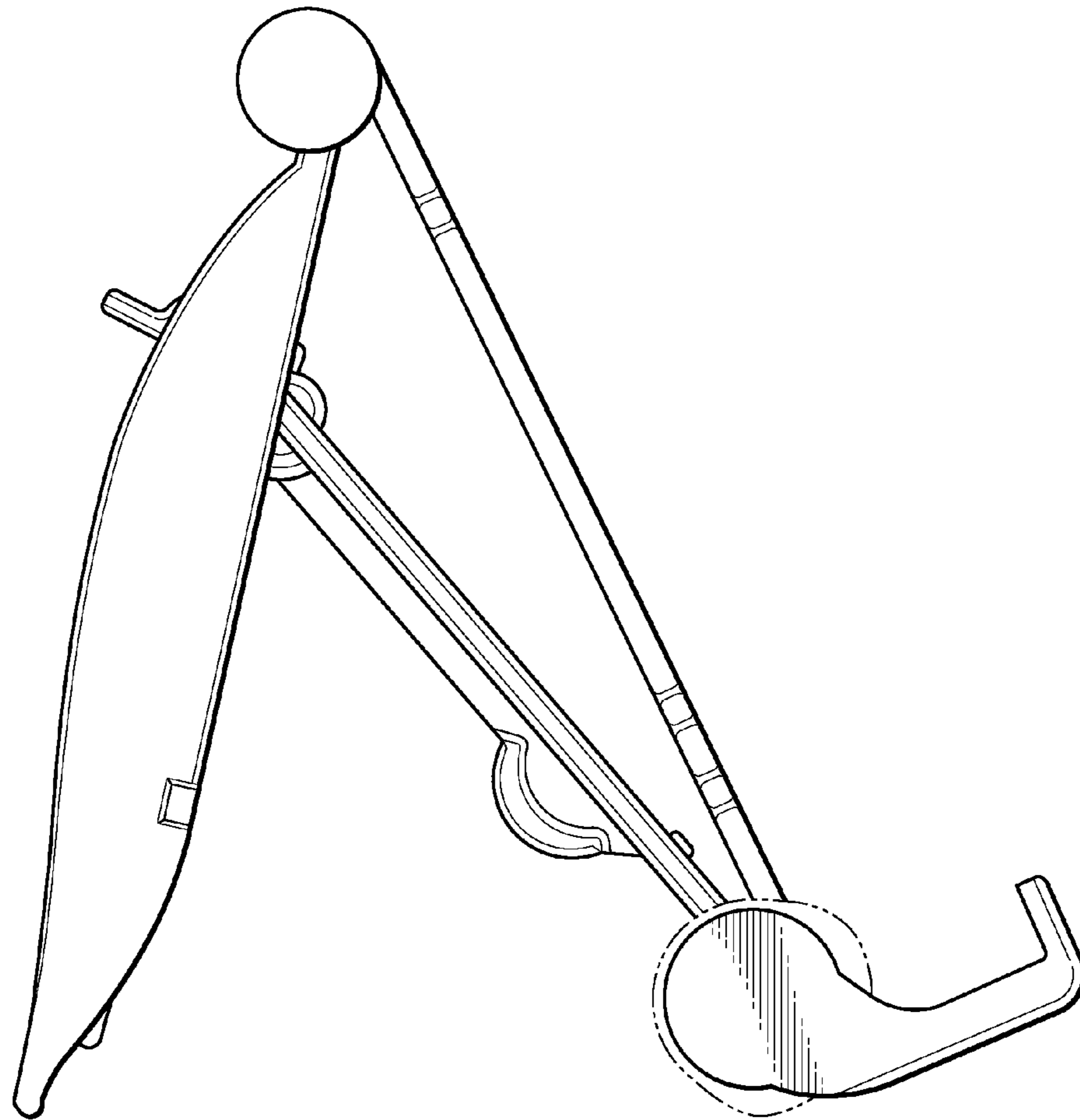


FIG. 6

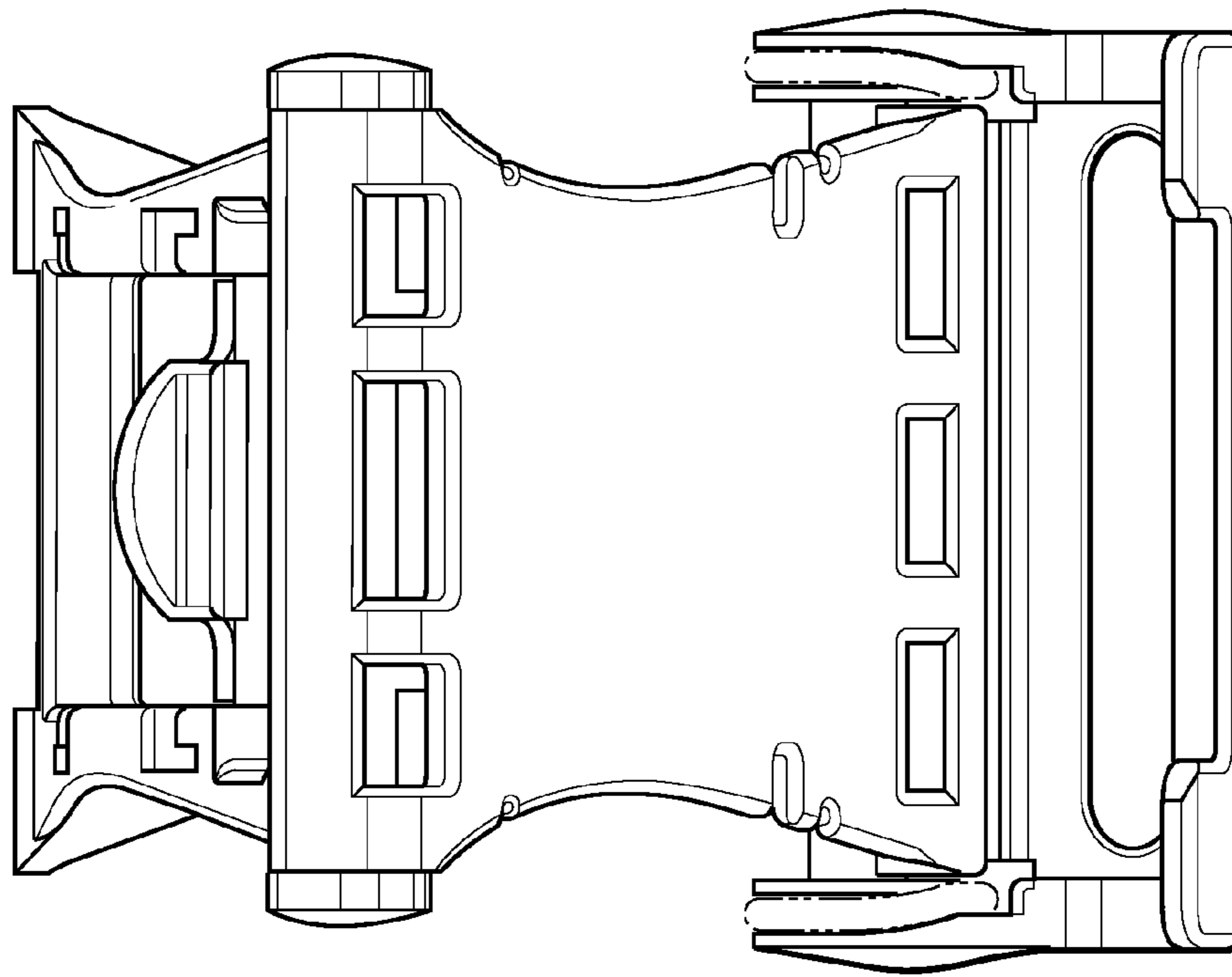


FIG. 7

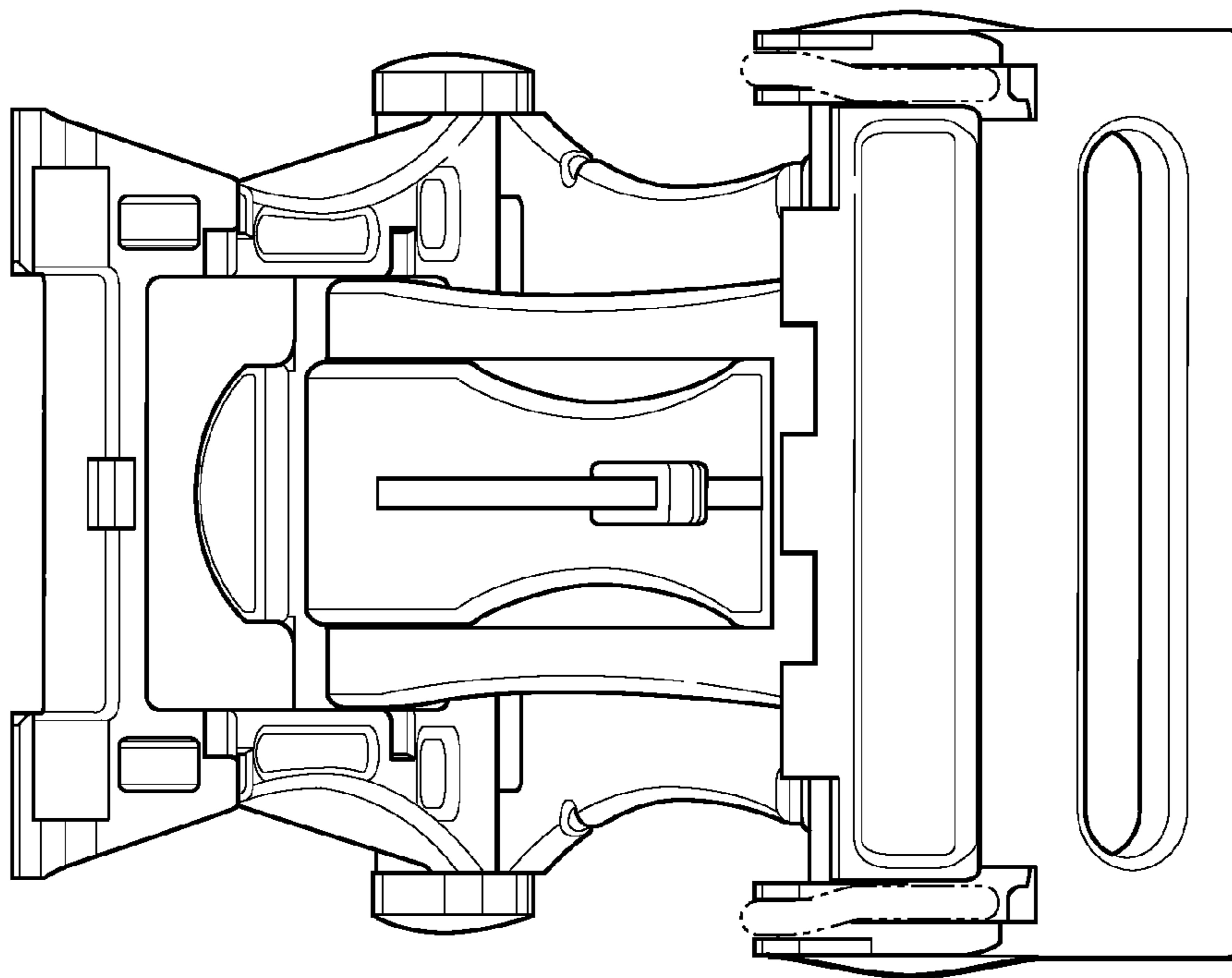


FIG. 8



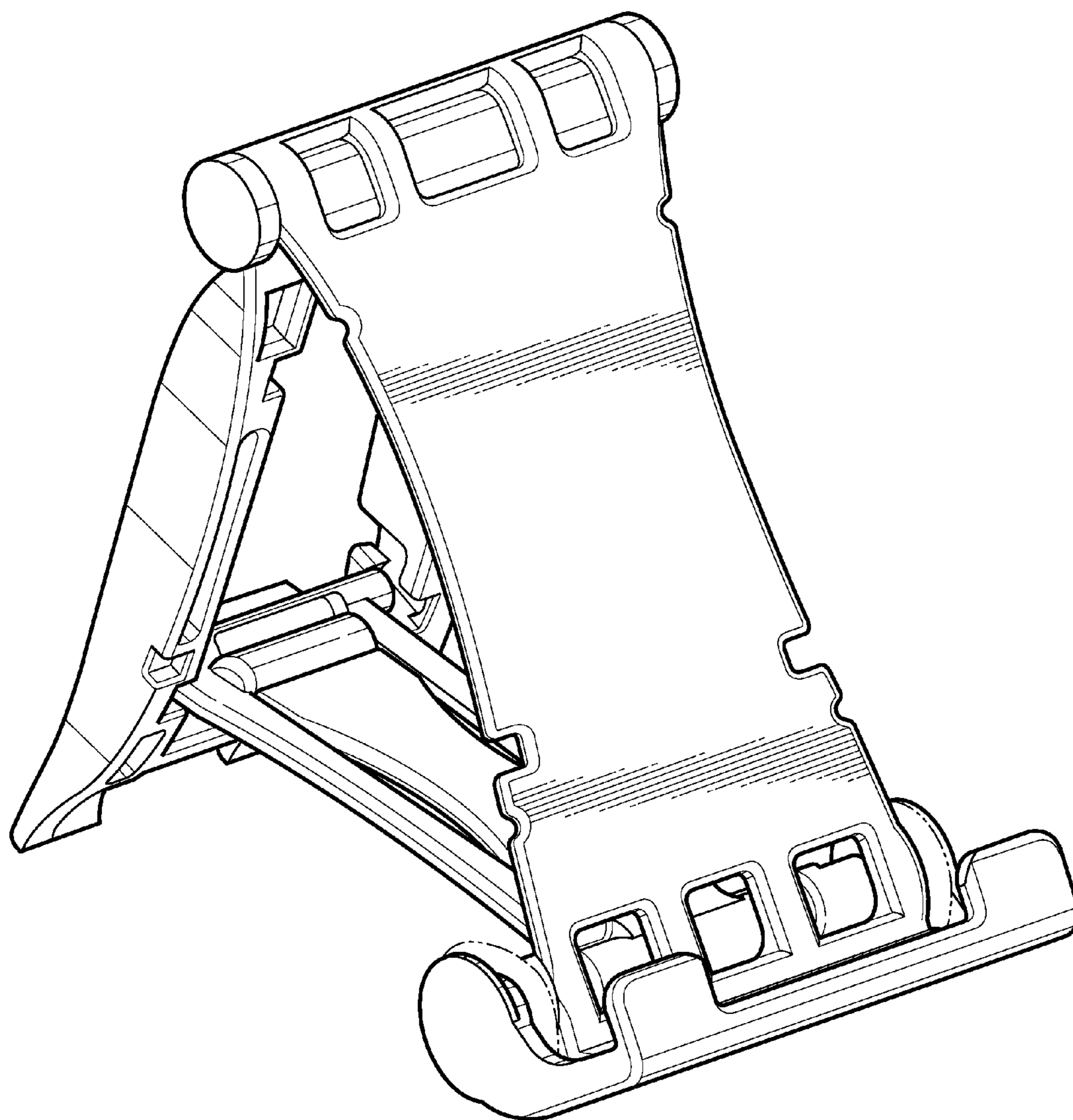


FIG. 9

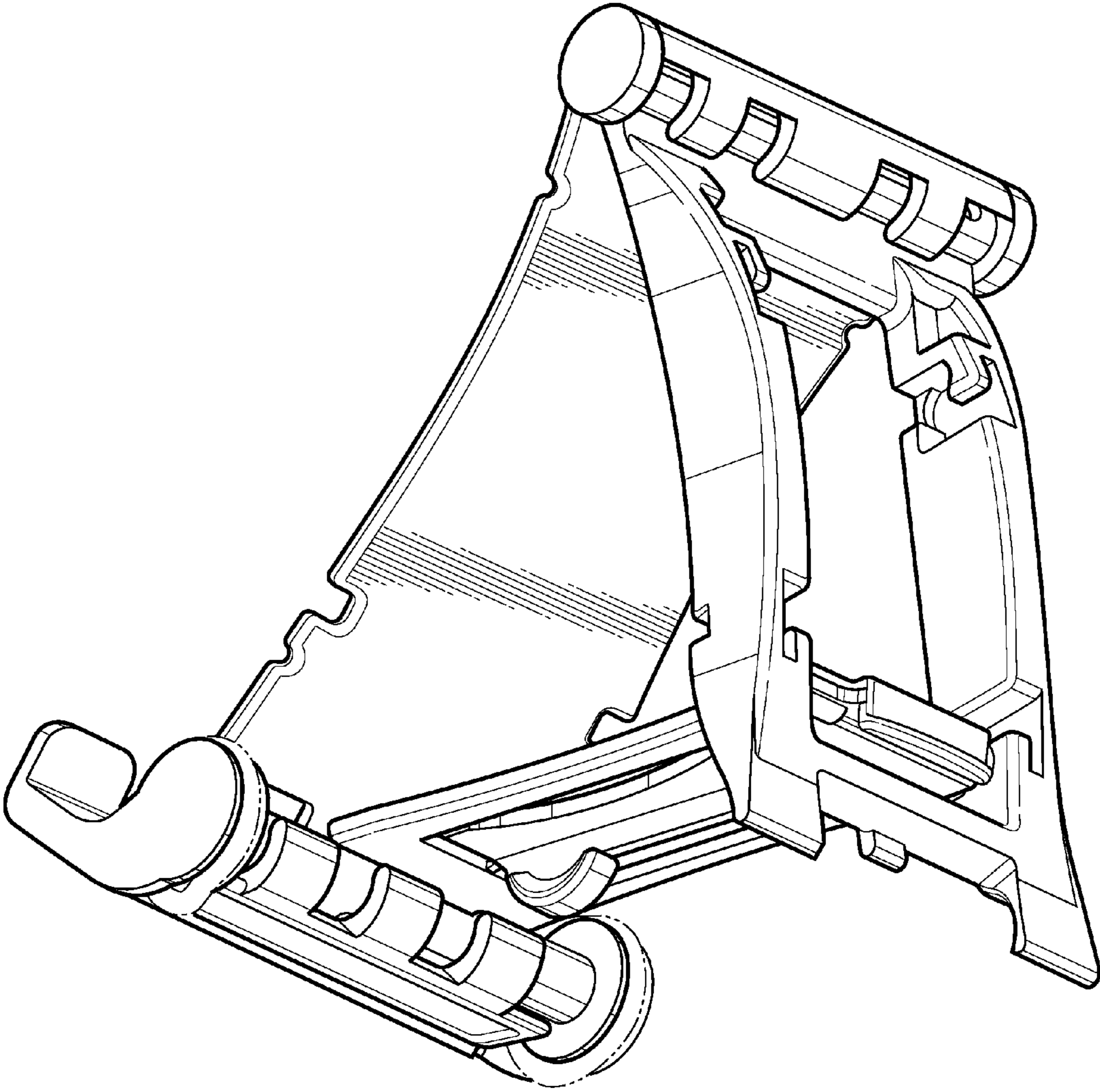


FIG. 10

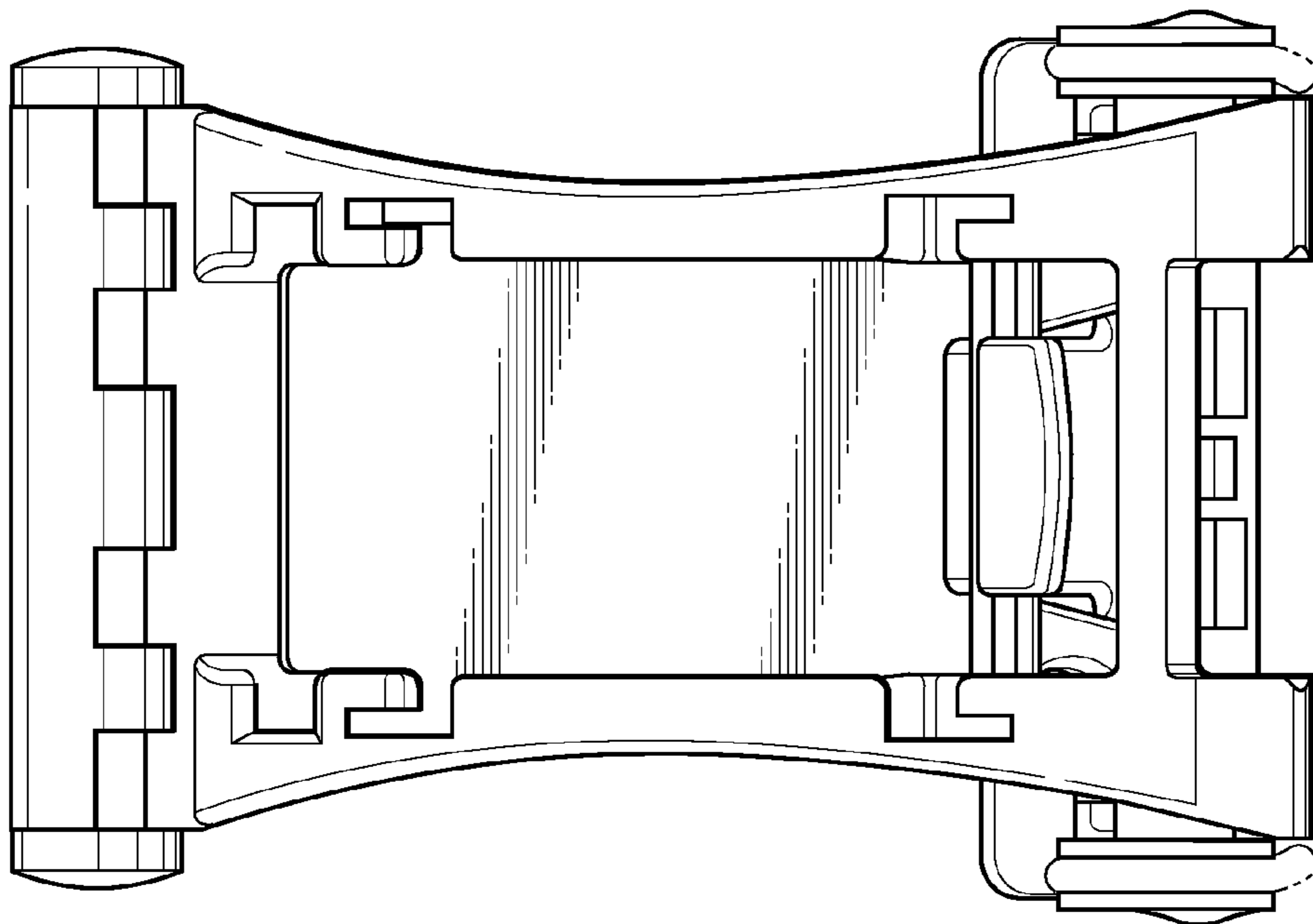


FIG. 12

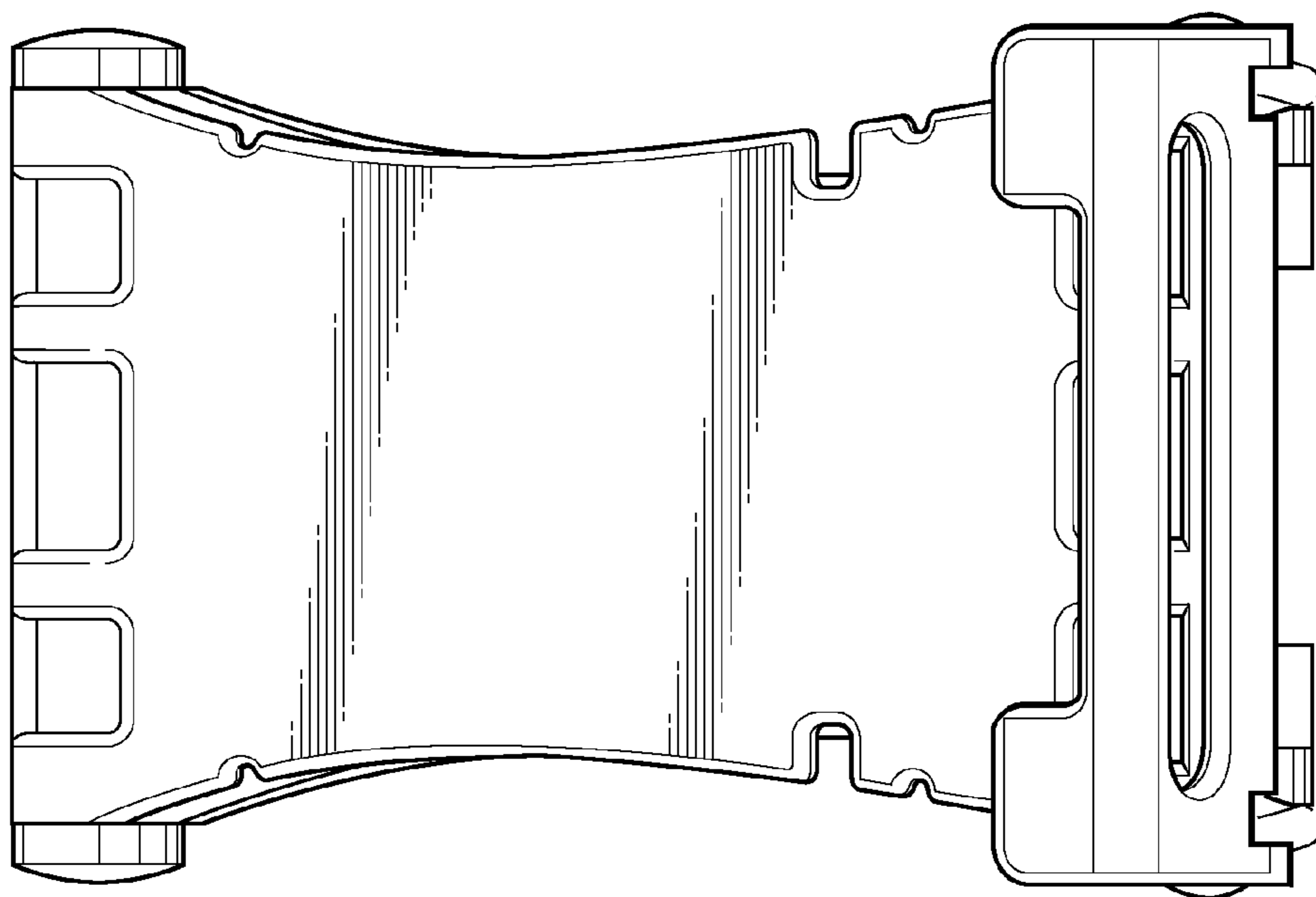


FIG. 11

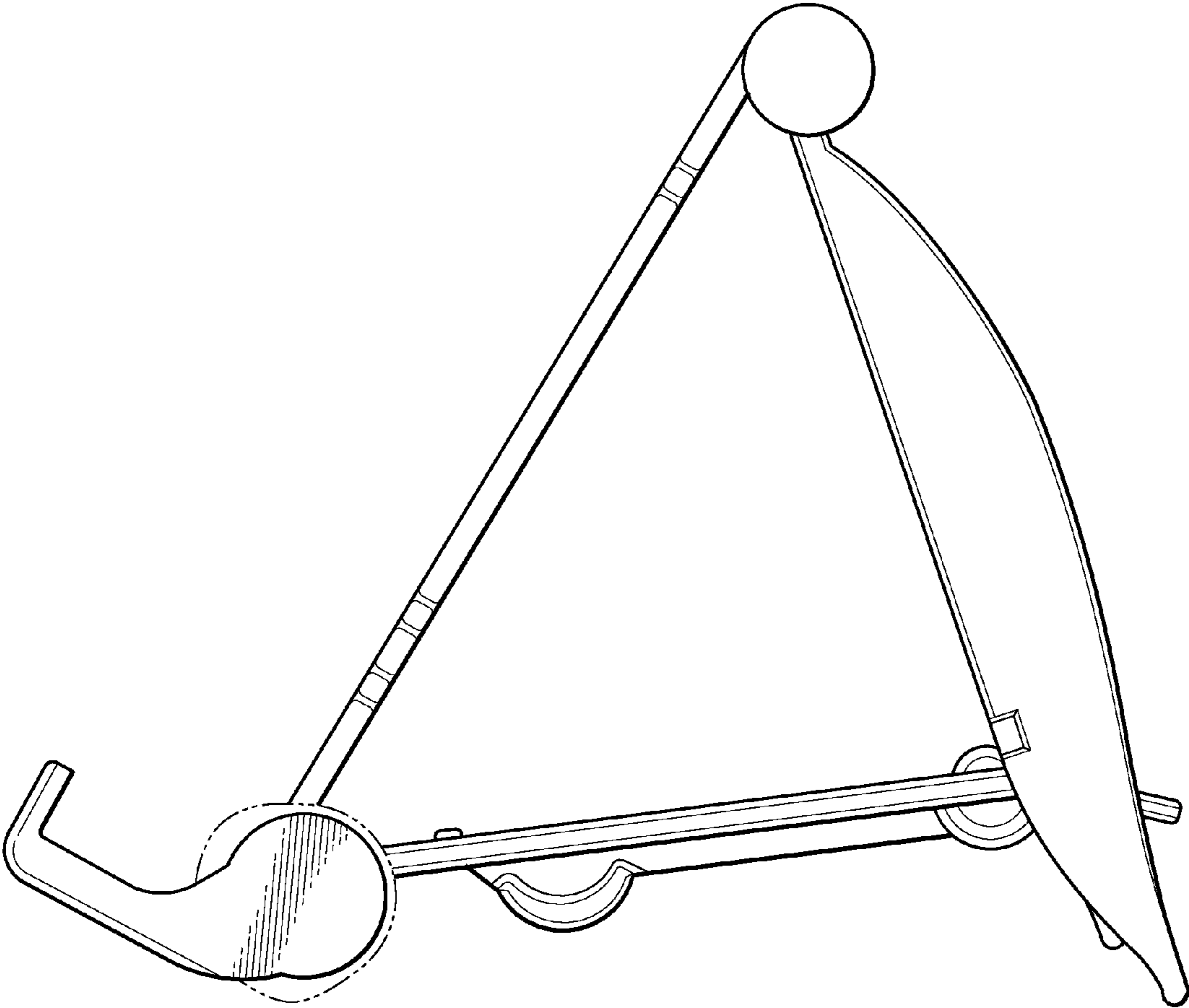


FIG. 13

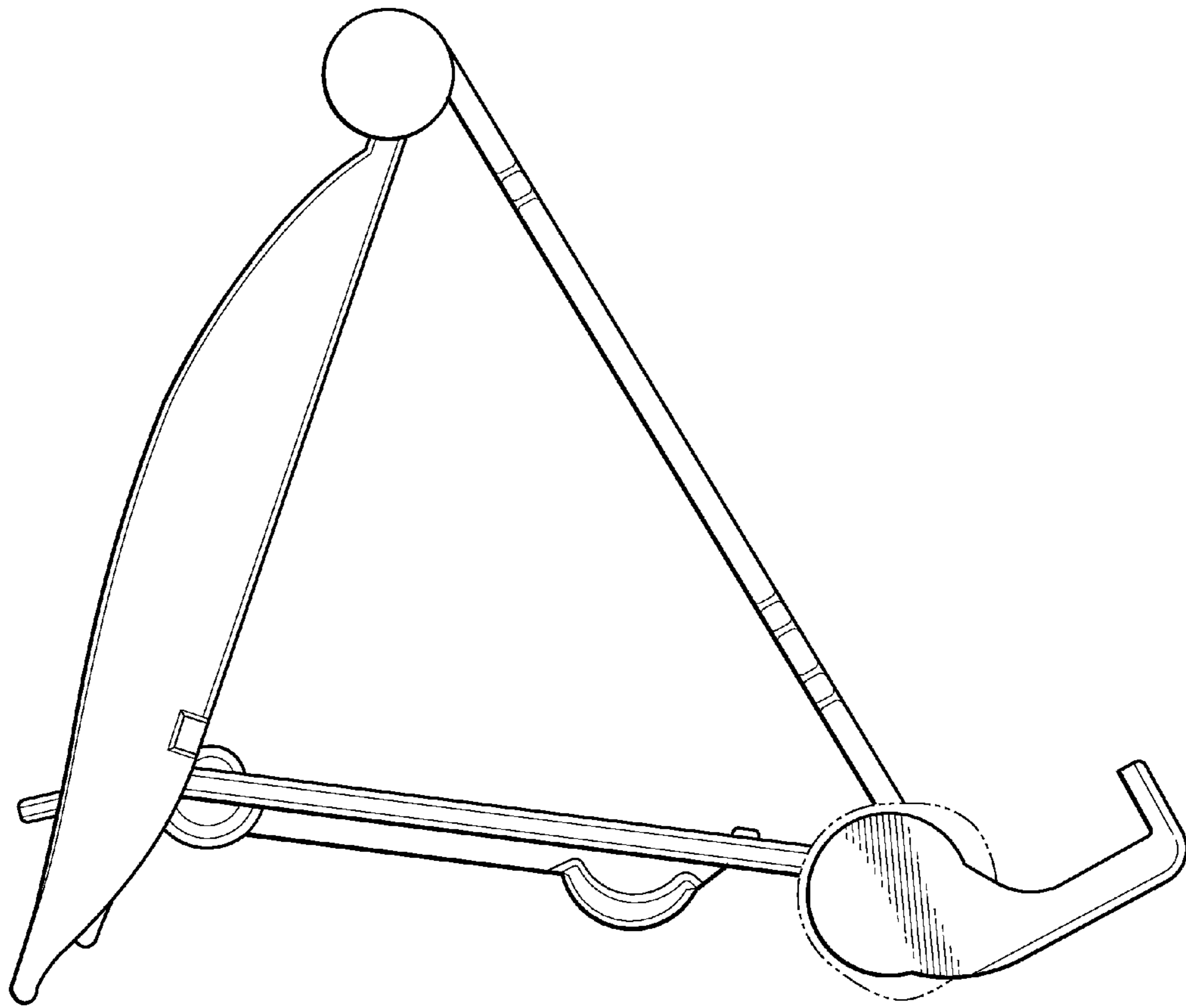


FIG. 14

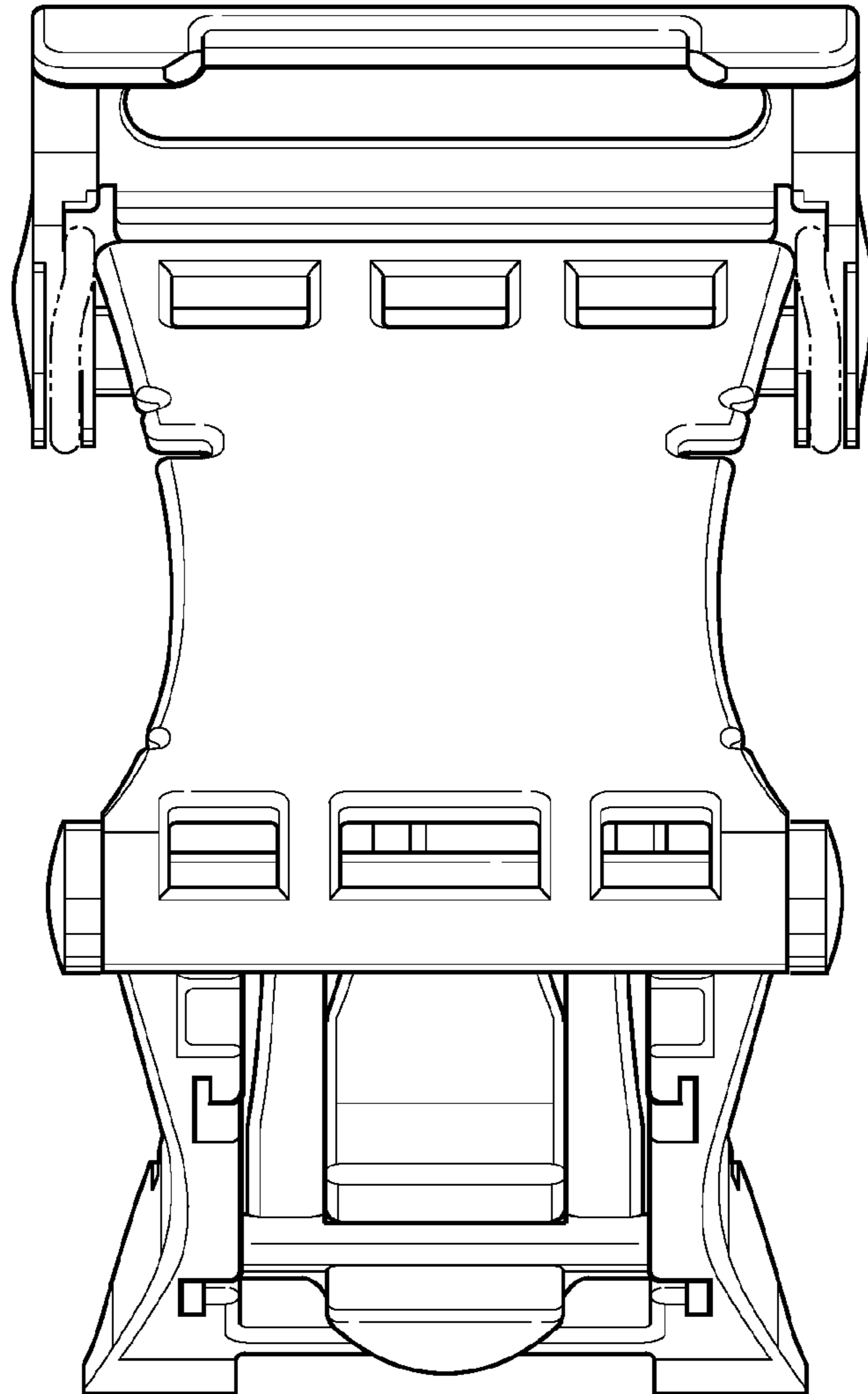


FIG. 15

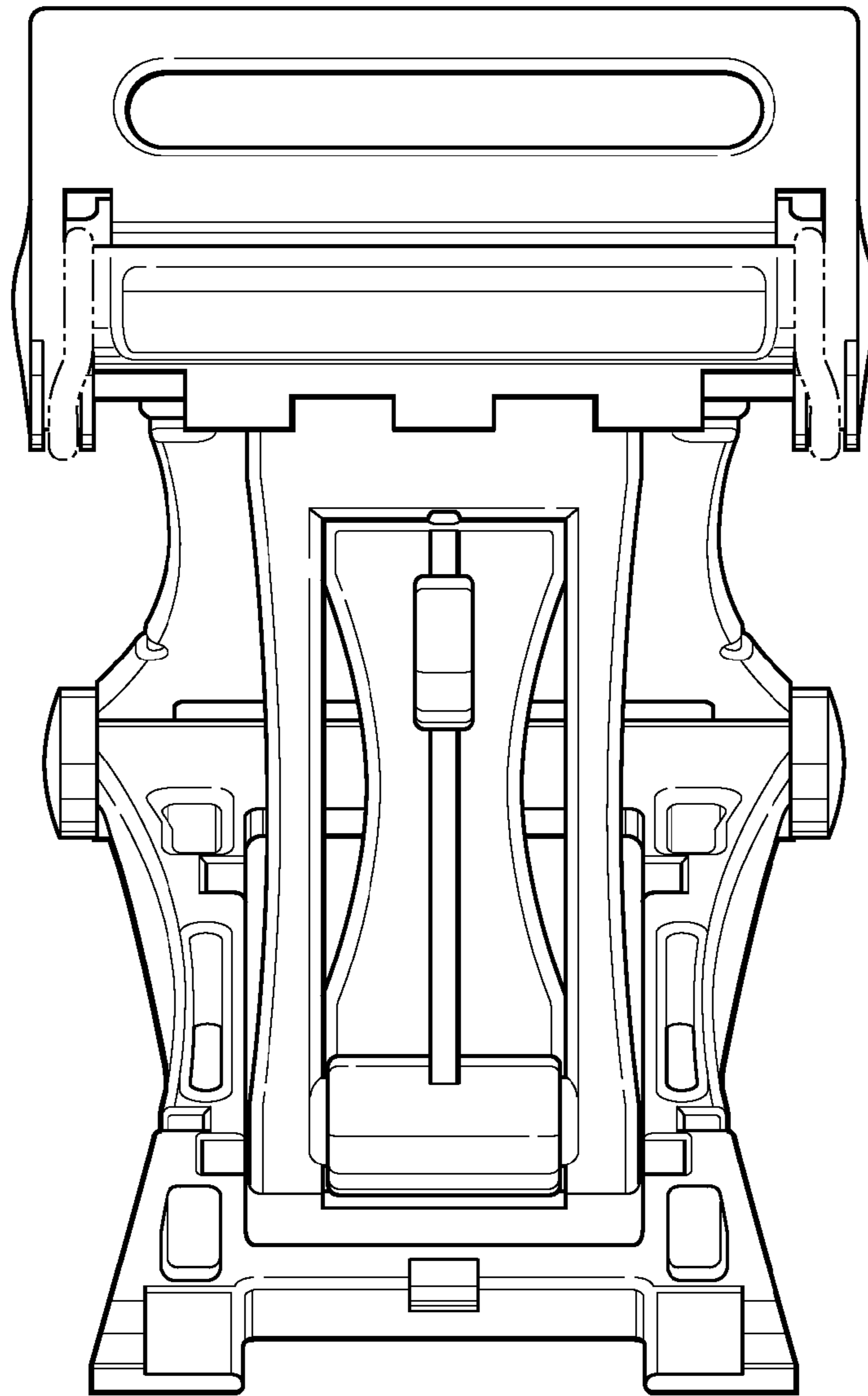


FIG. 16

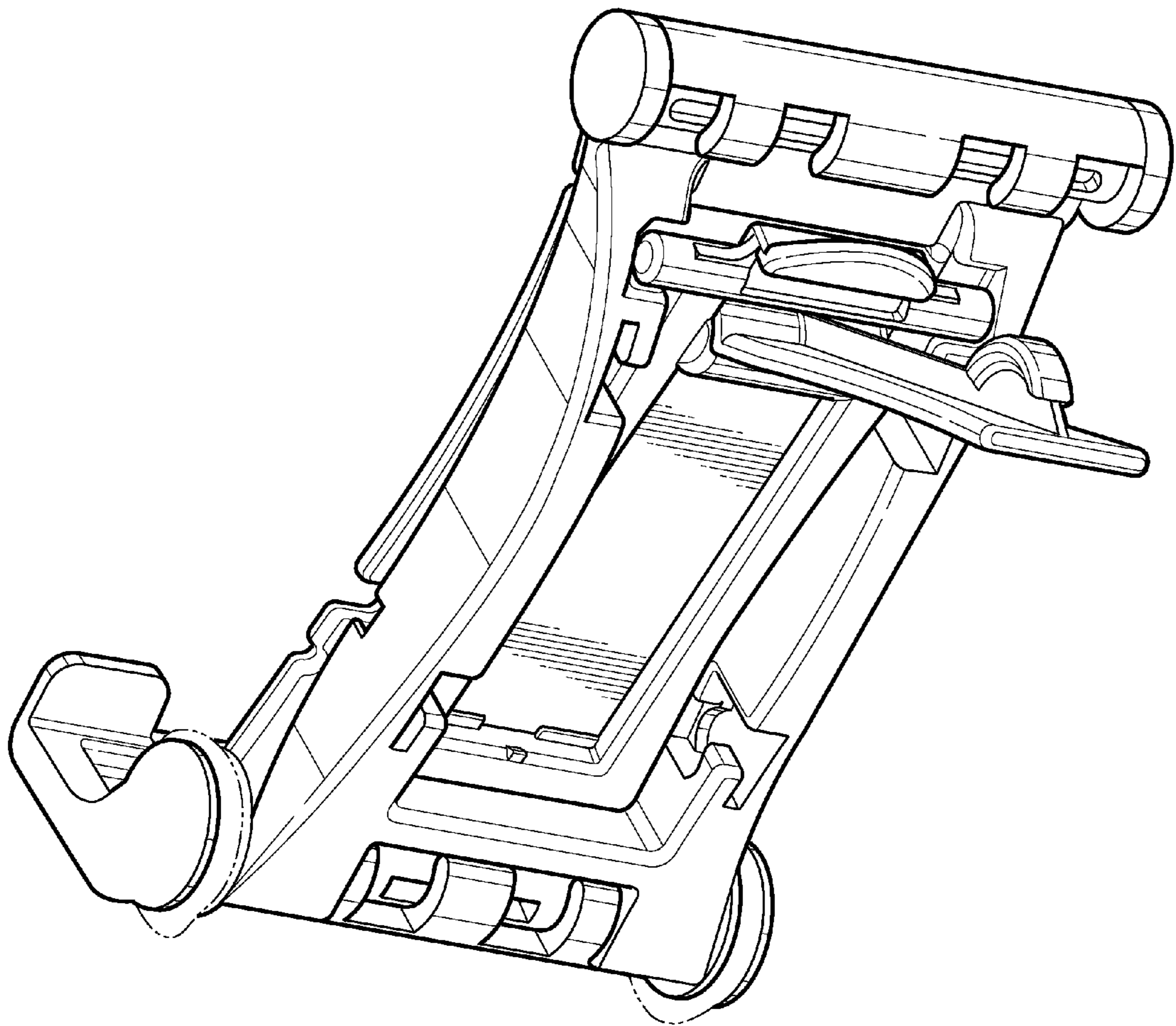


FIG. 17



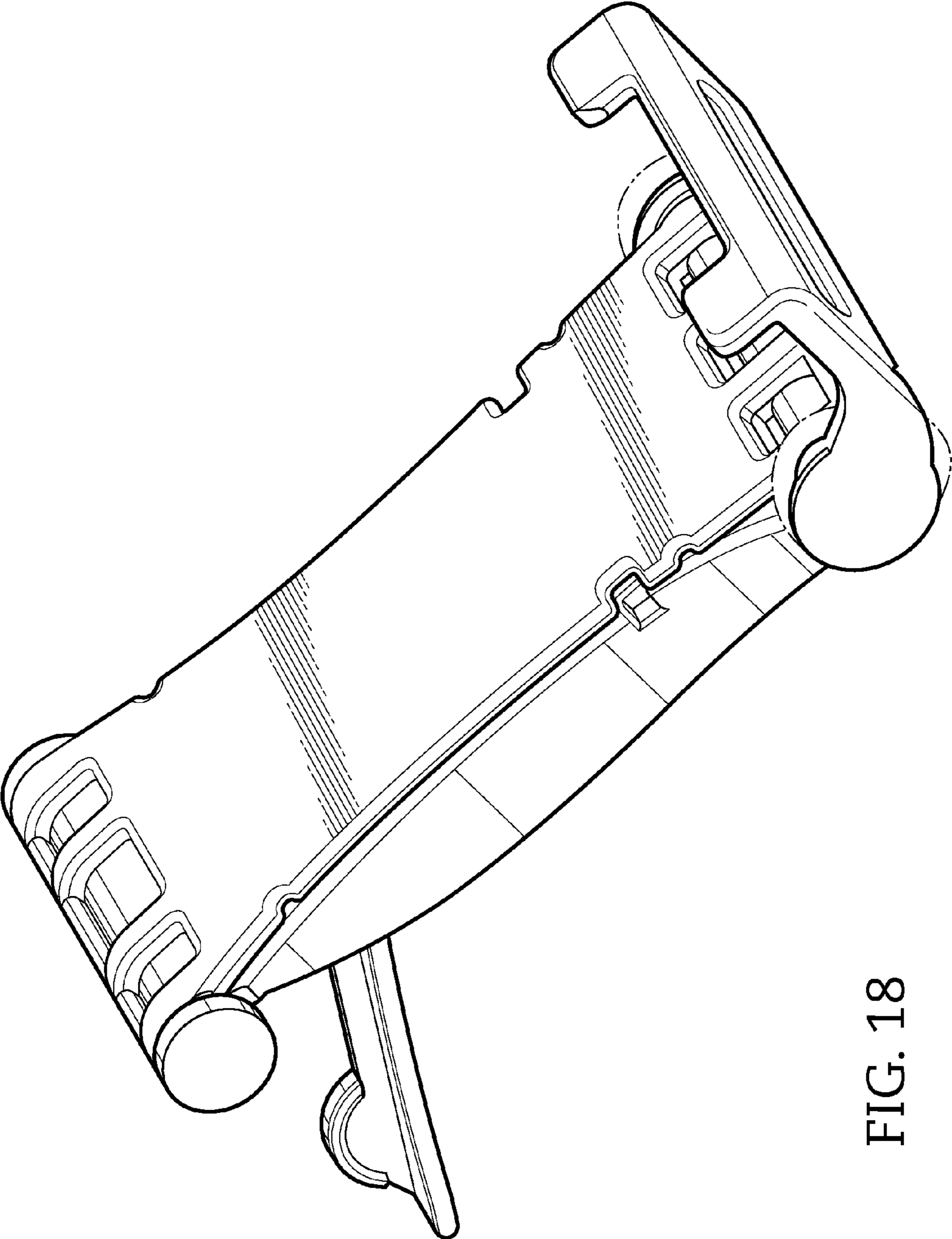


FIG. 18

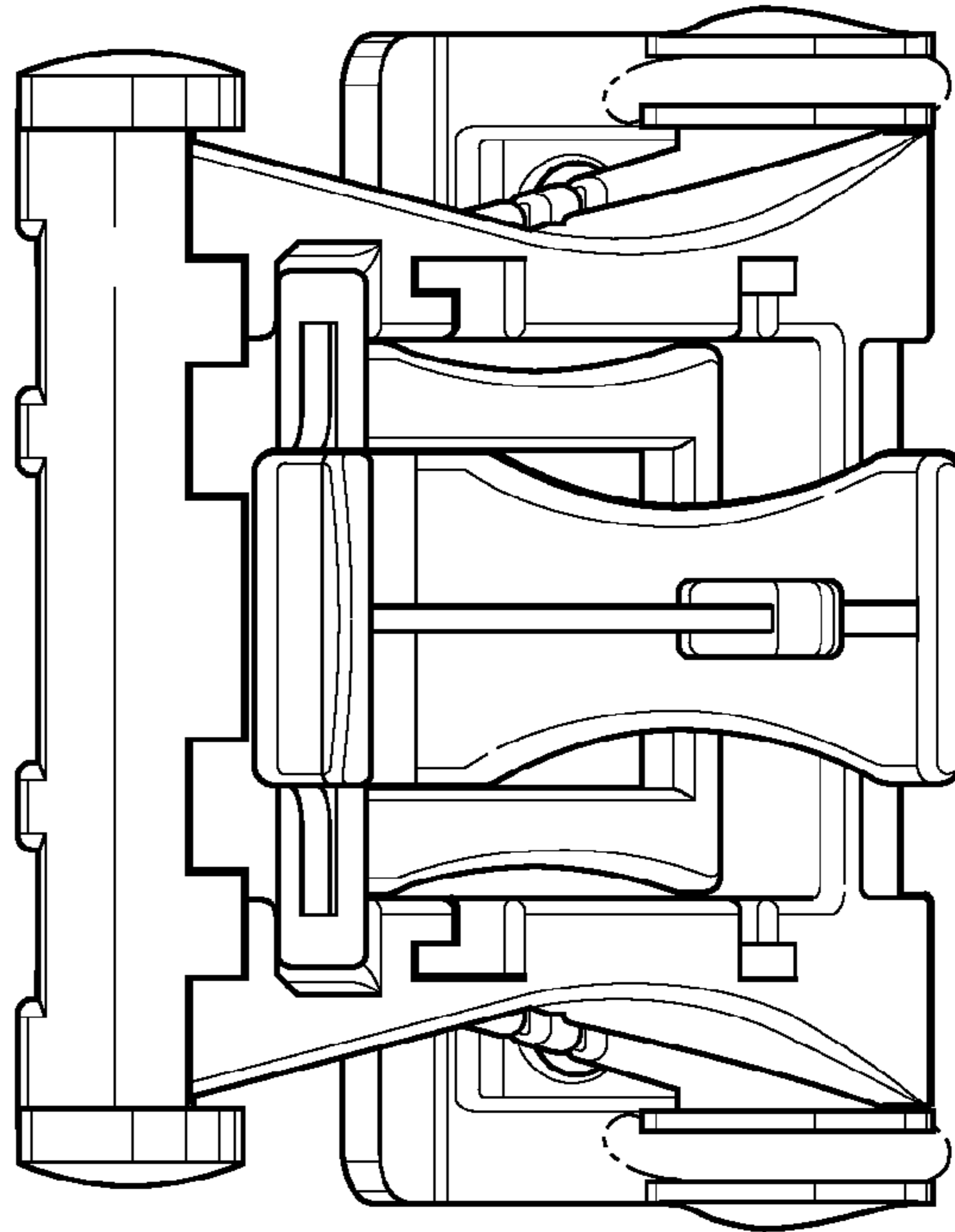


FIG. 20

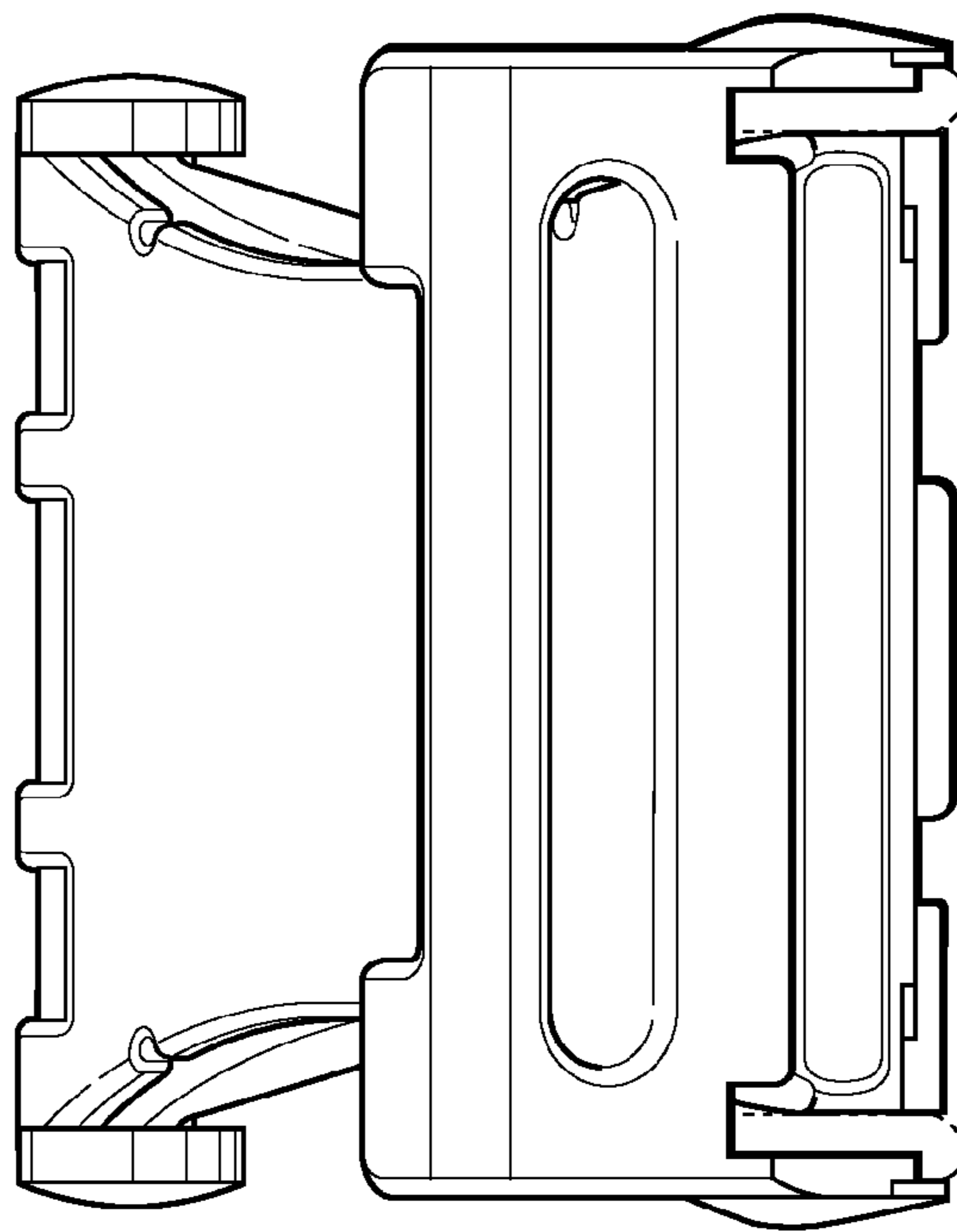


FIG. 19

FIG. 21

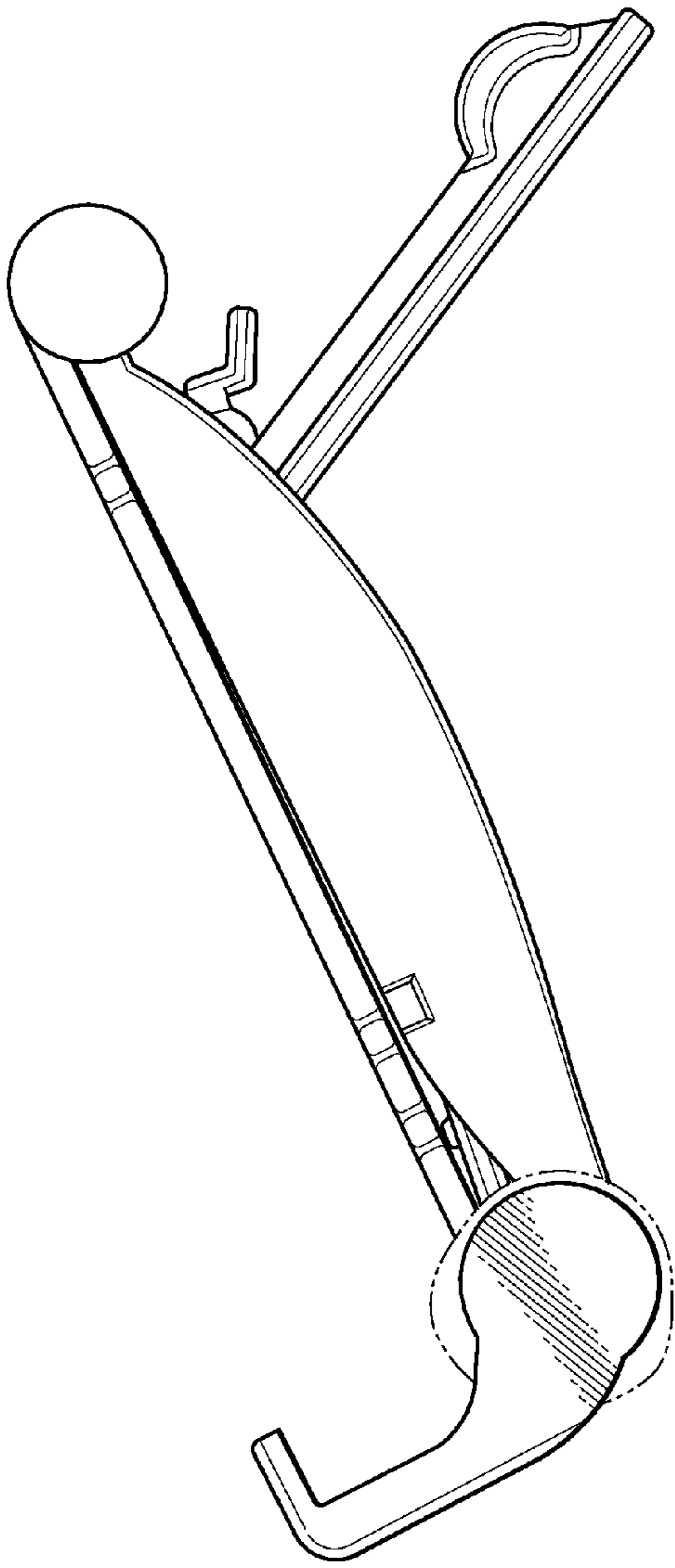
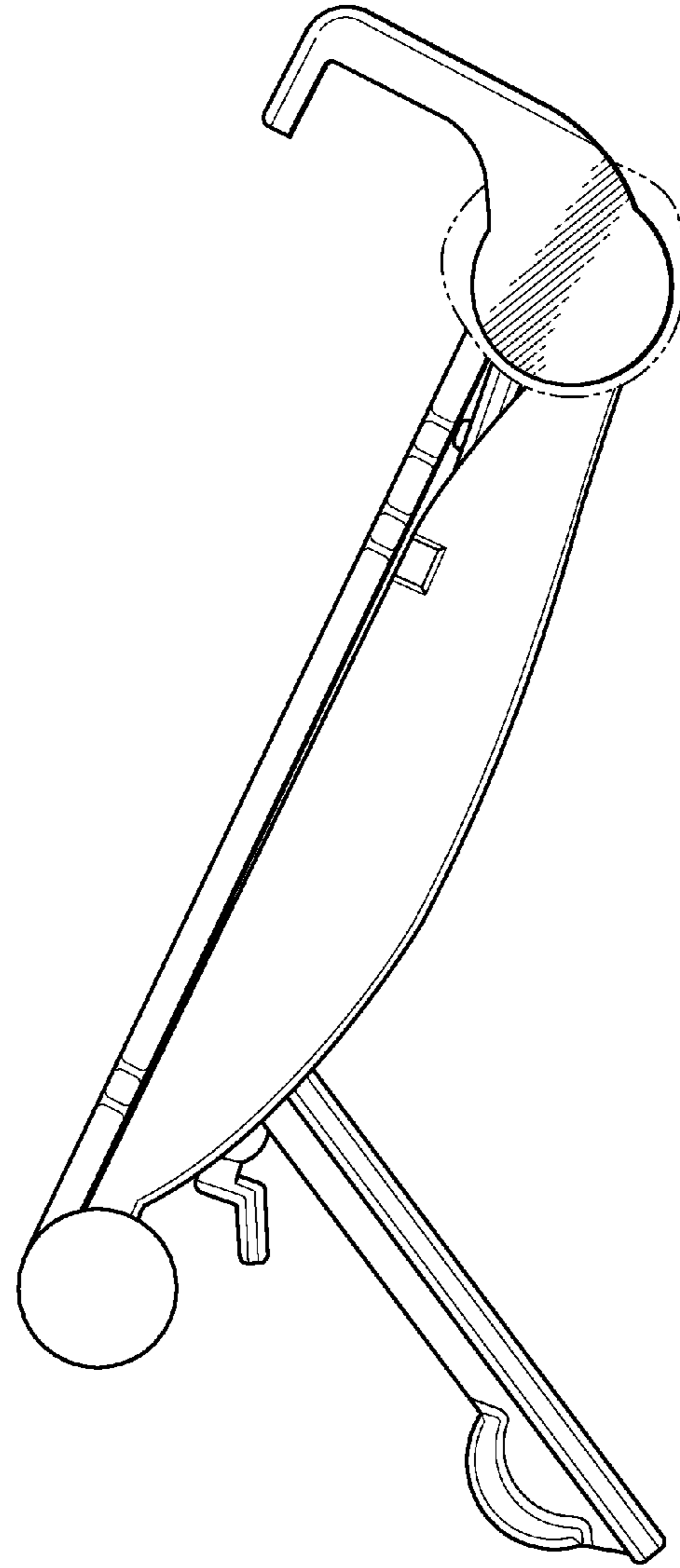


FIG. 22



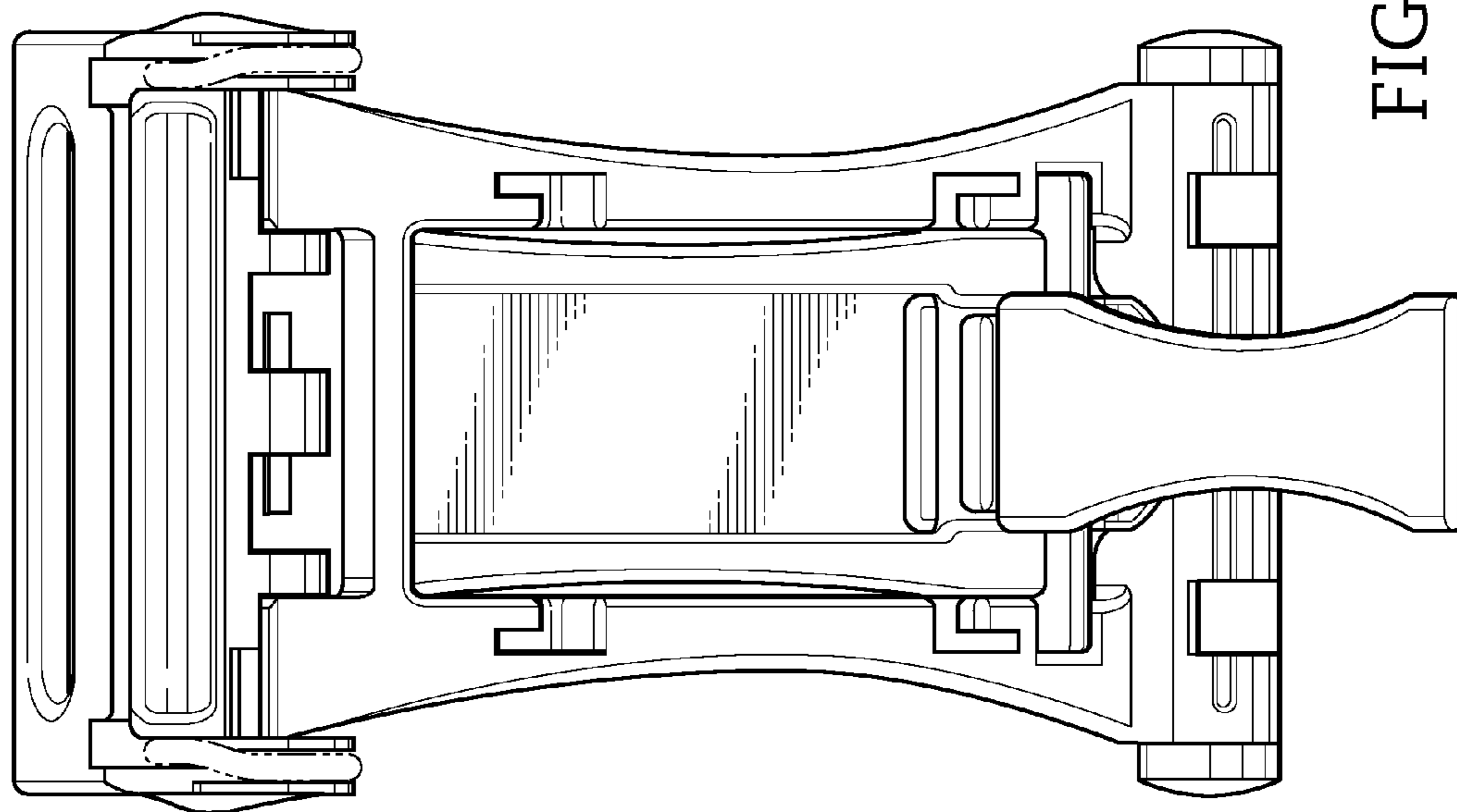


FIG. 24

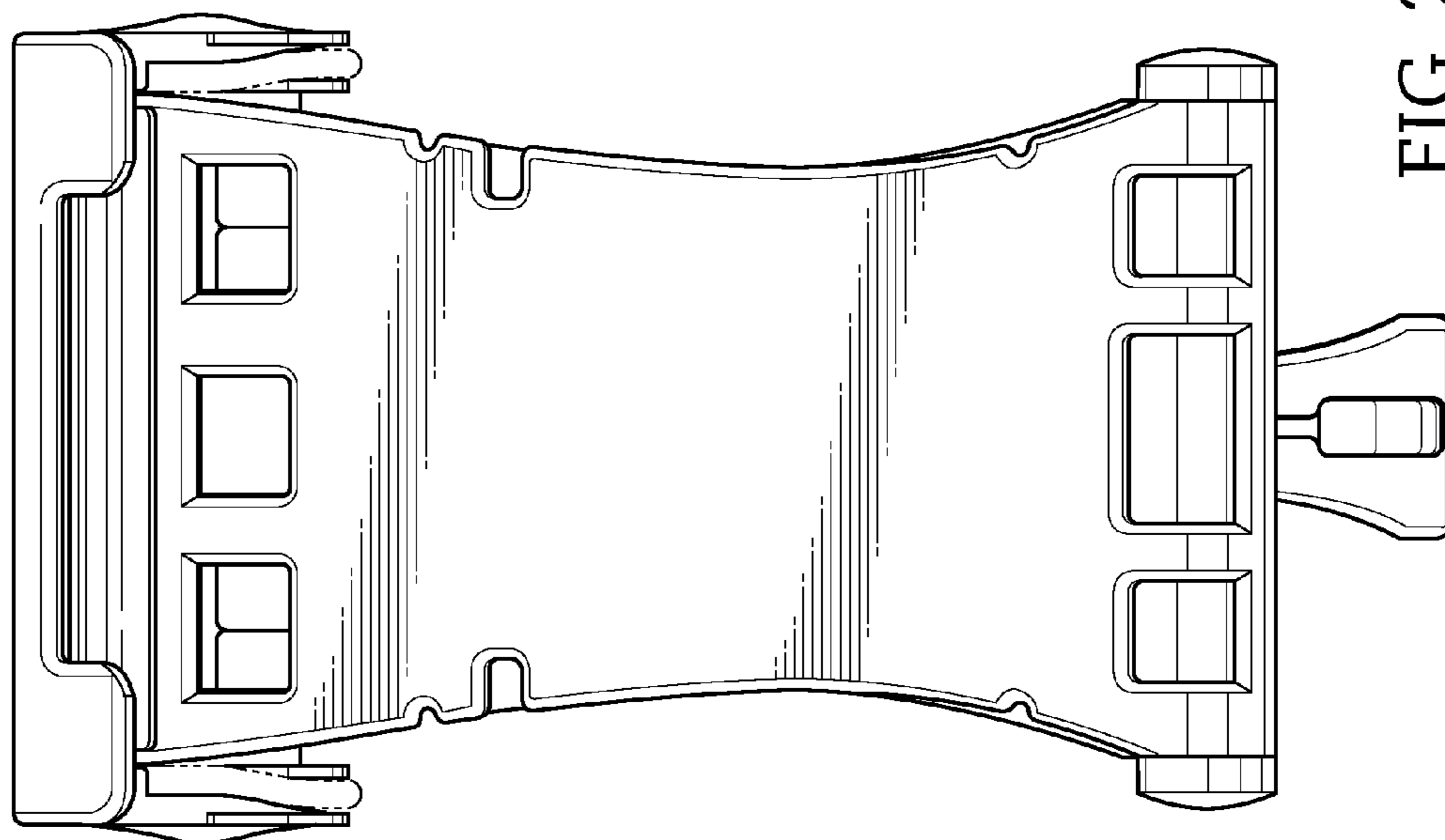


FIG. 23

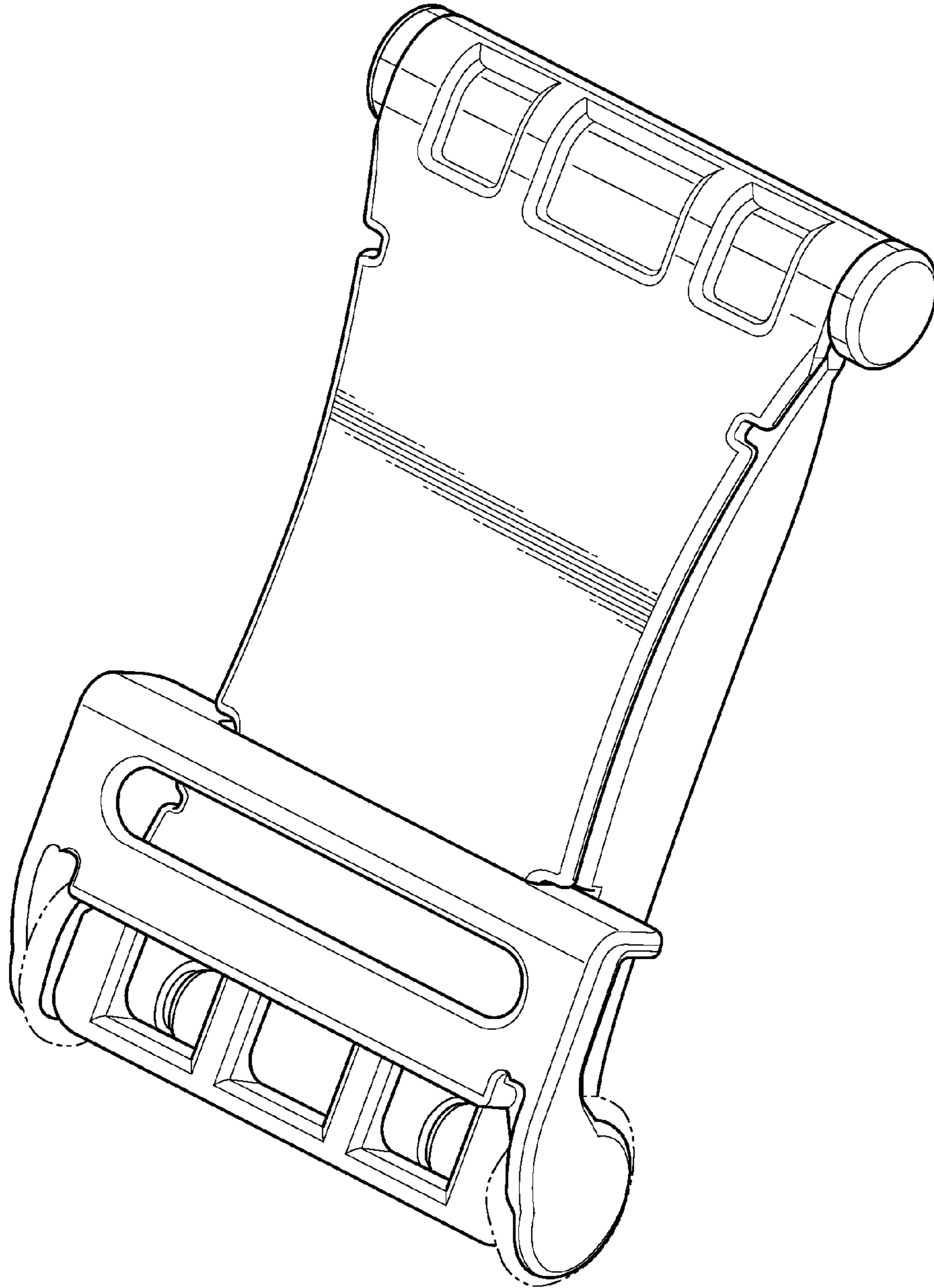


FIG. 25

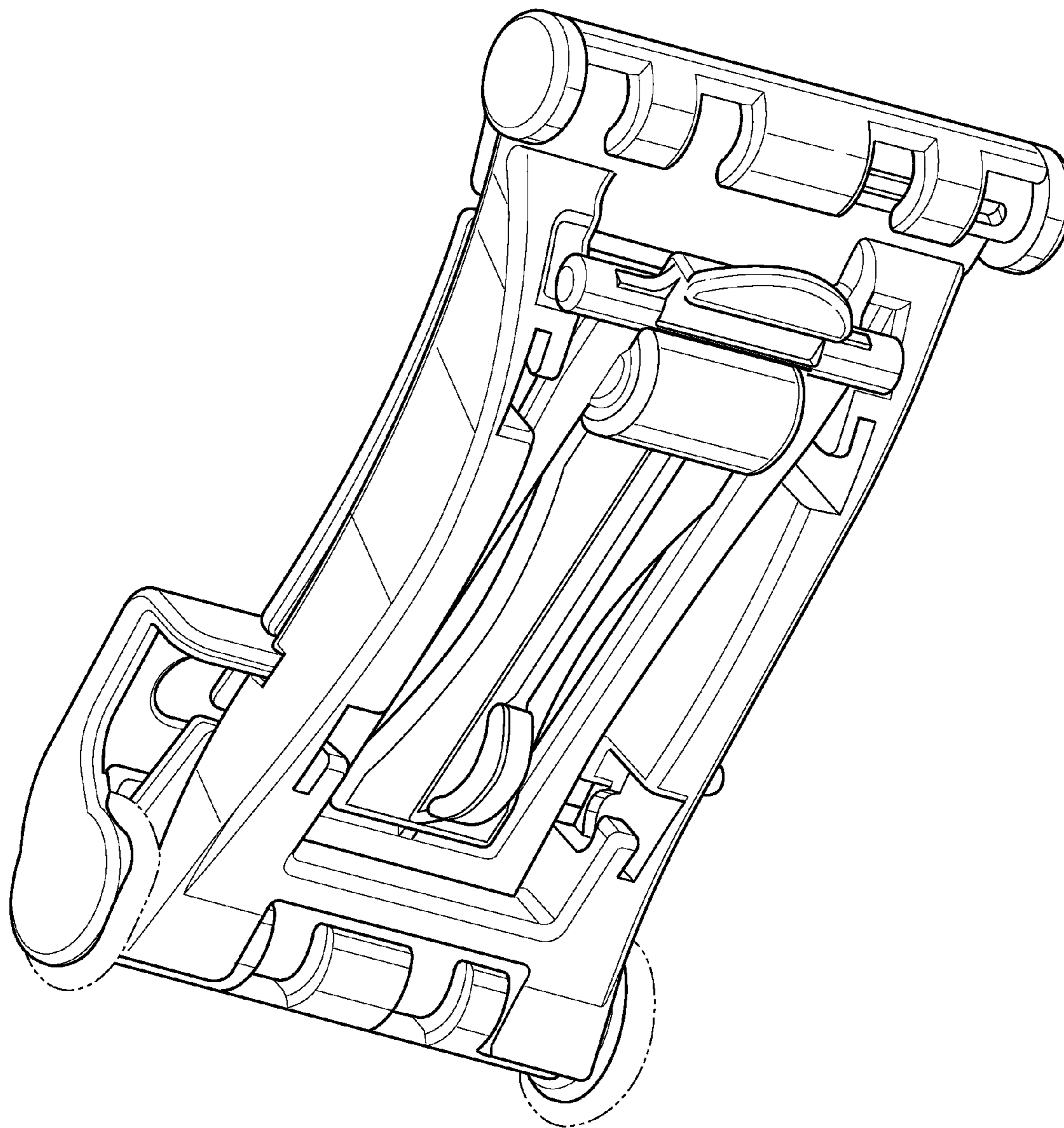


FIG. 26

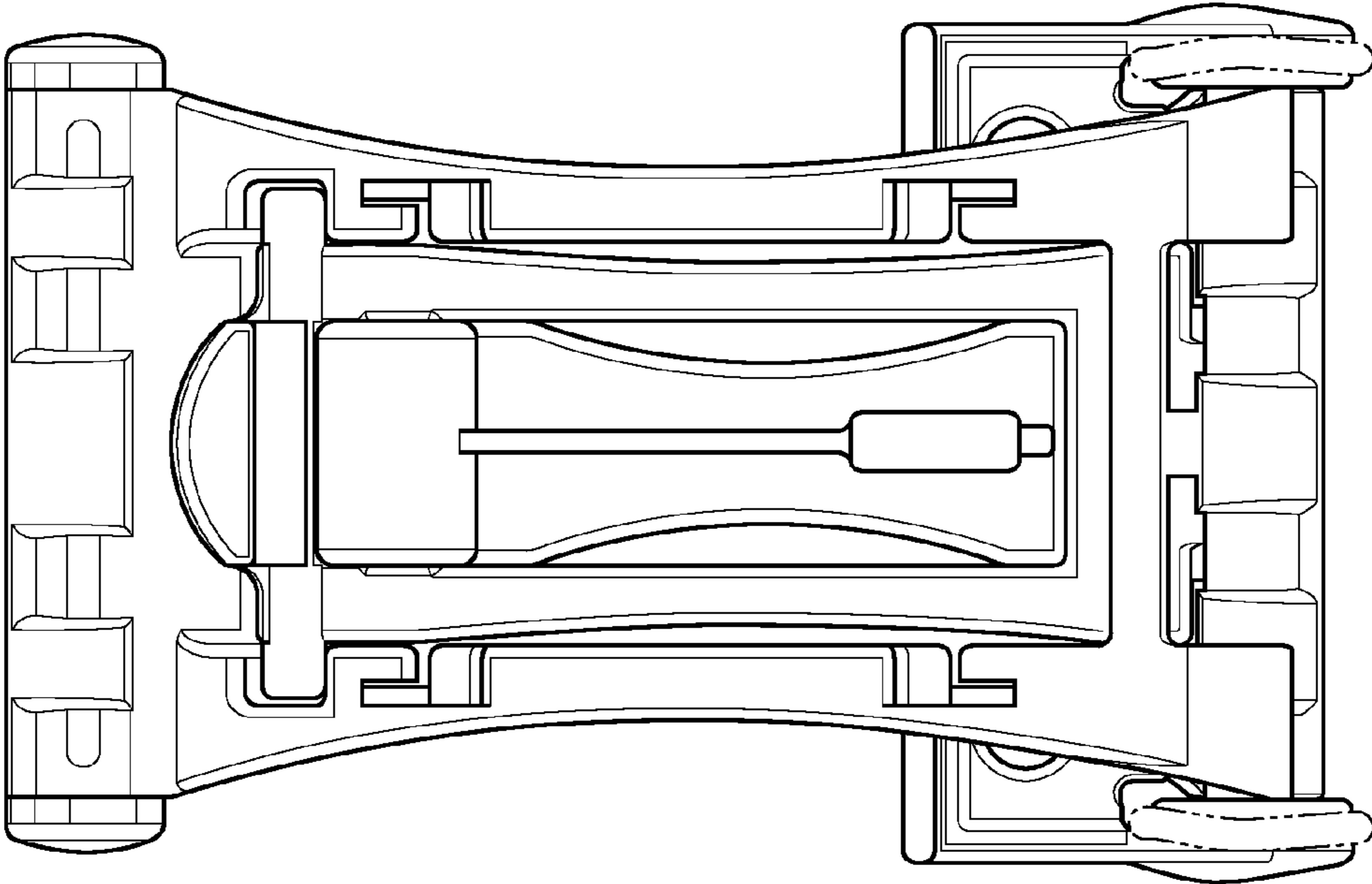


FIG. 28

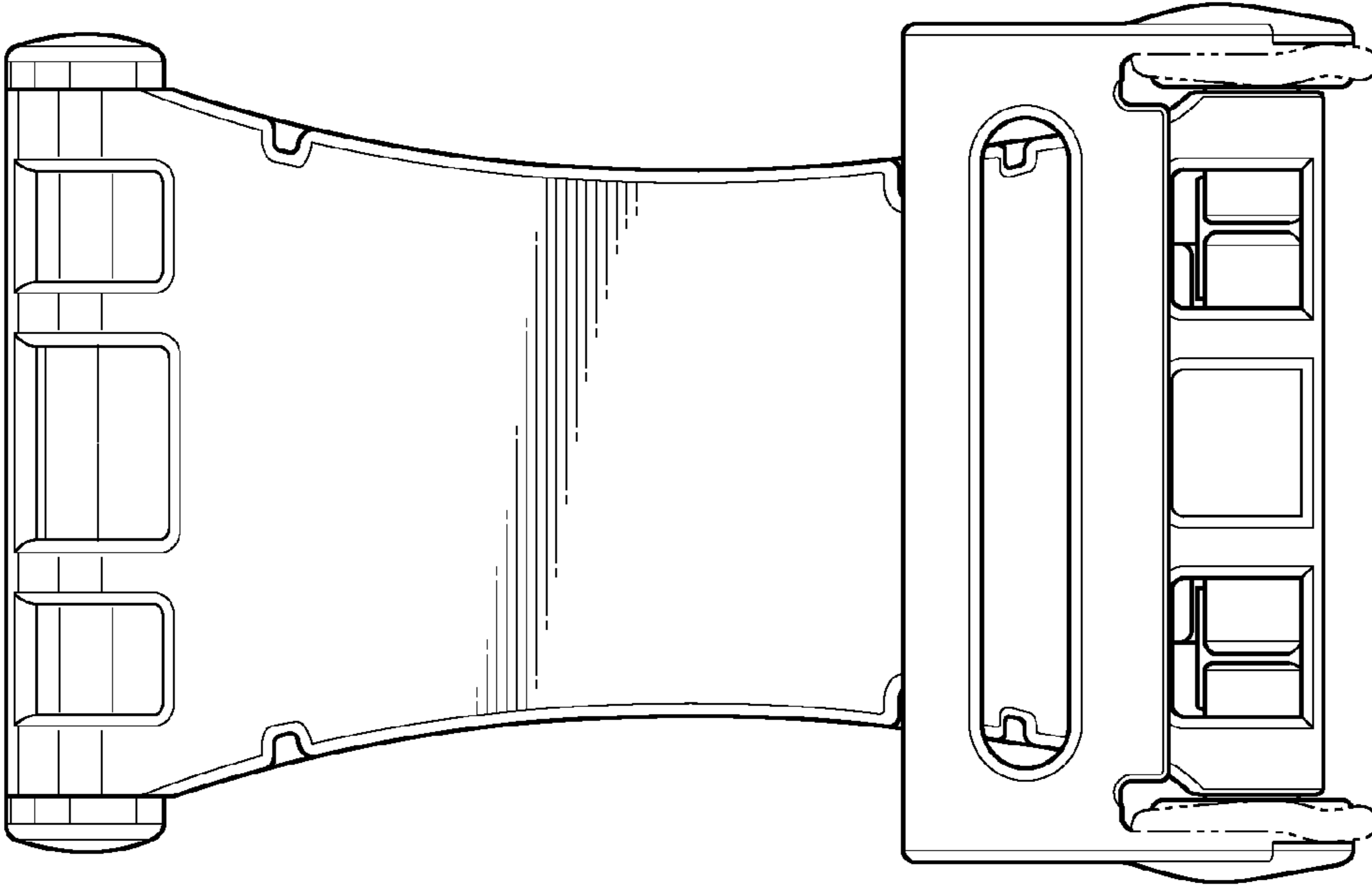


FIG. 27

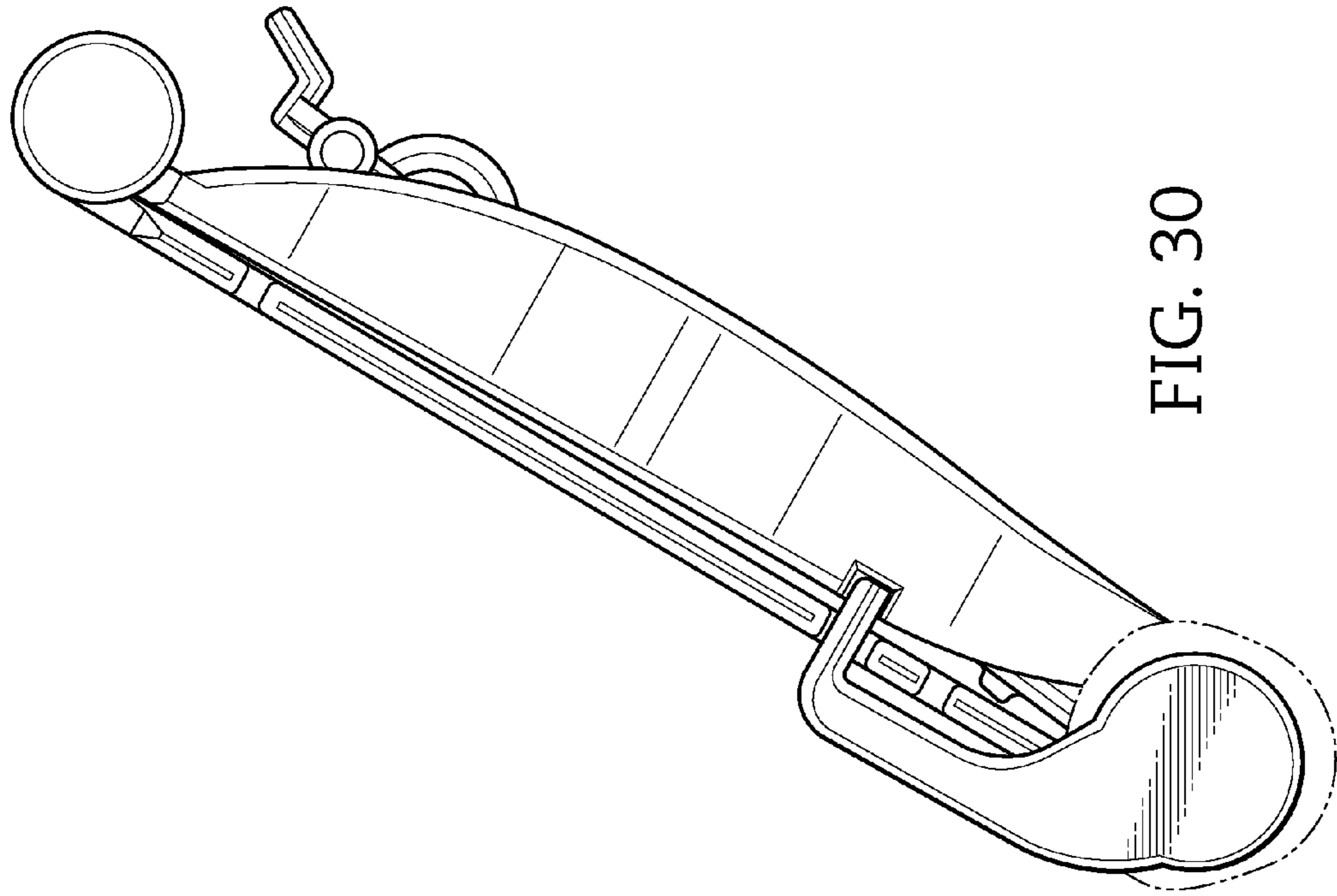


FIG. 30

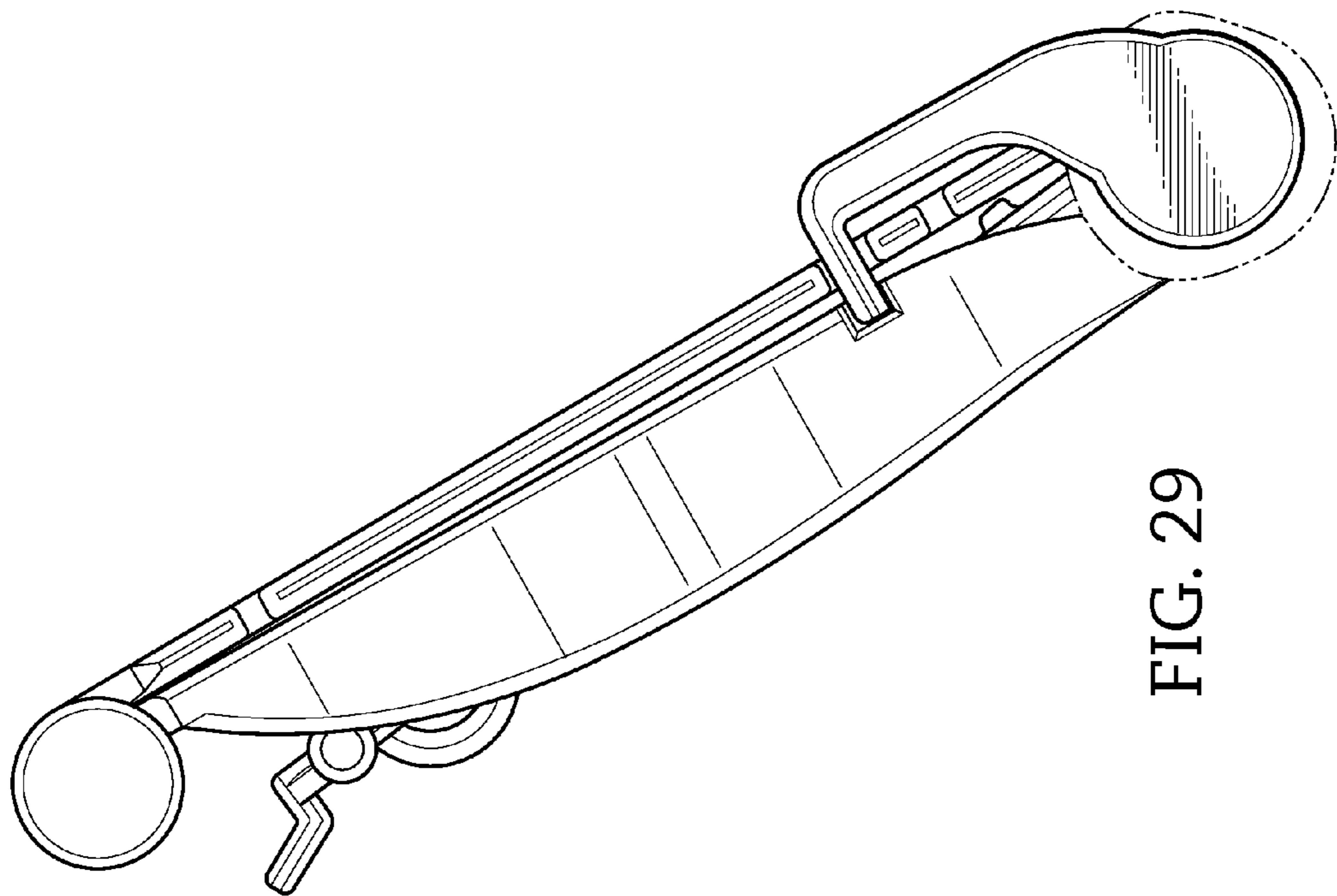


FIG. 29



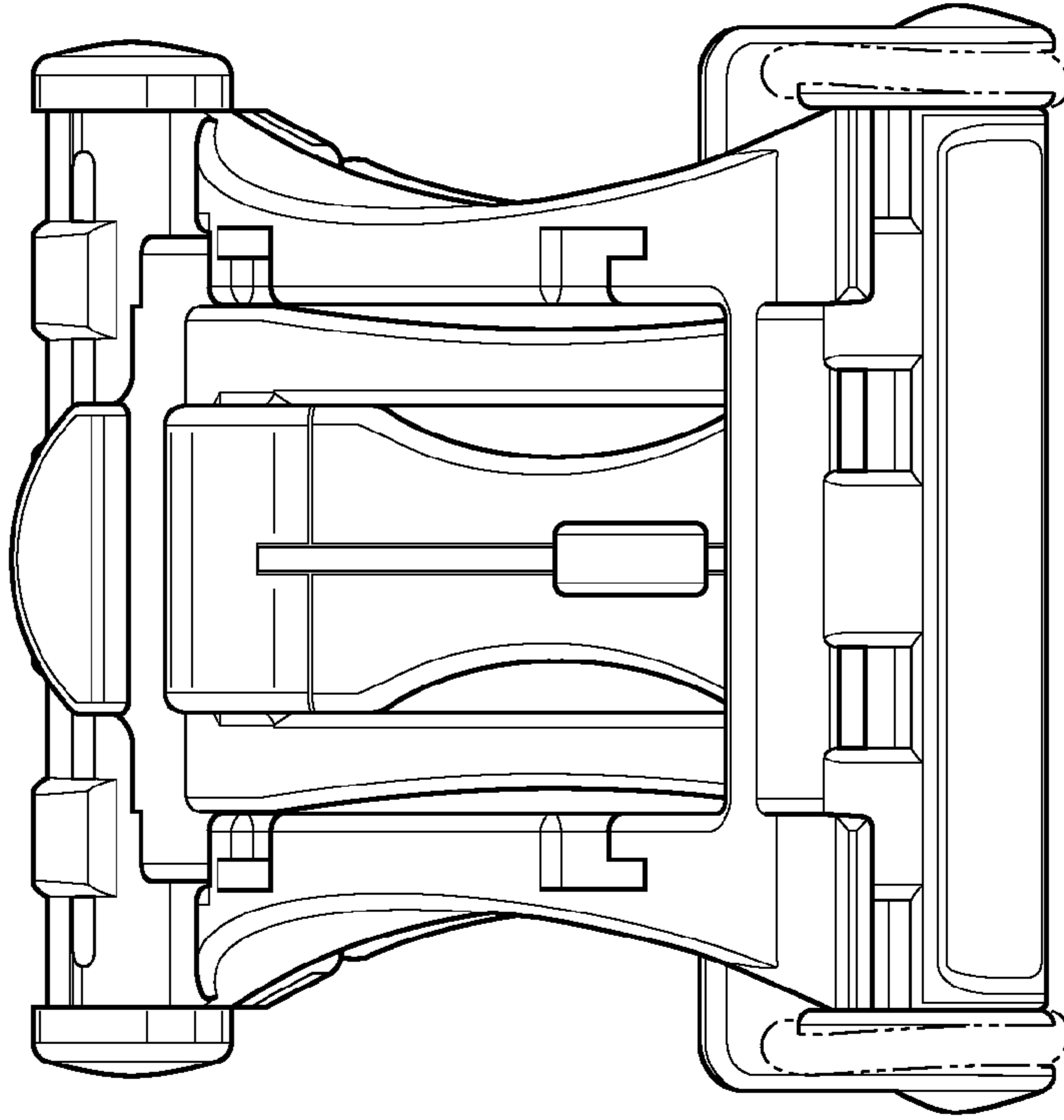


FIG. 32

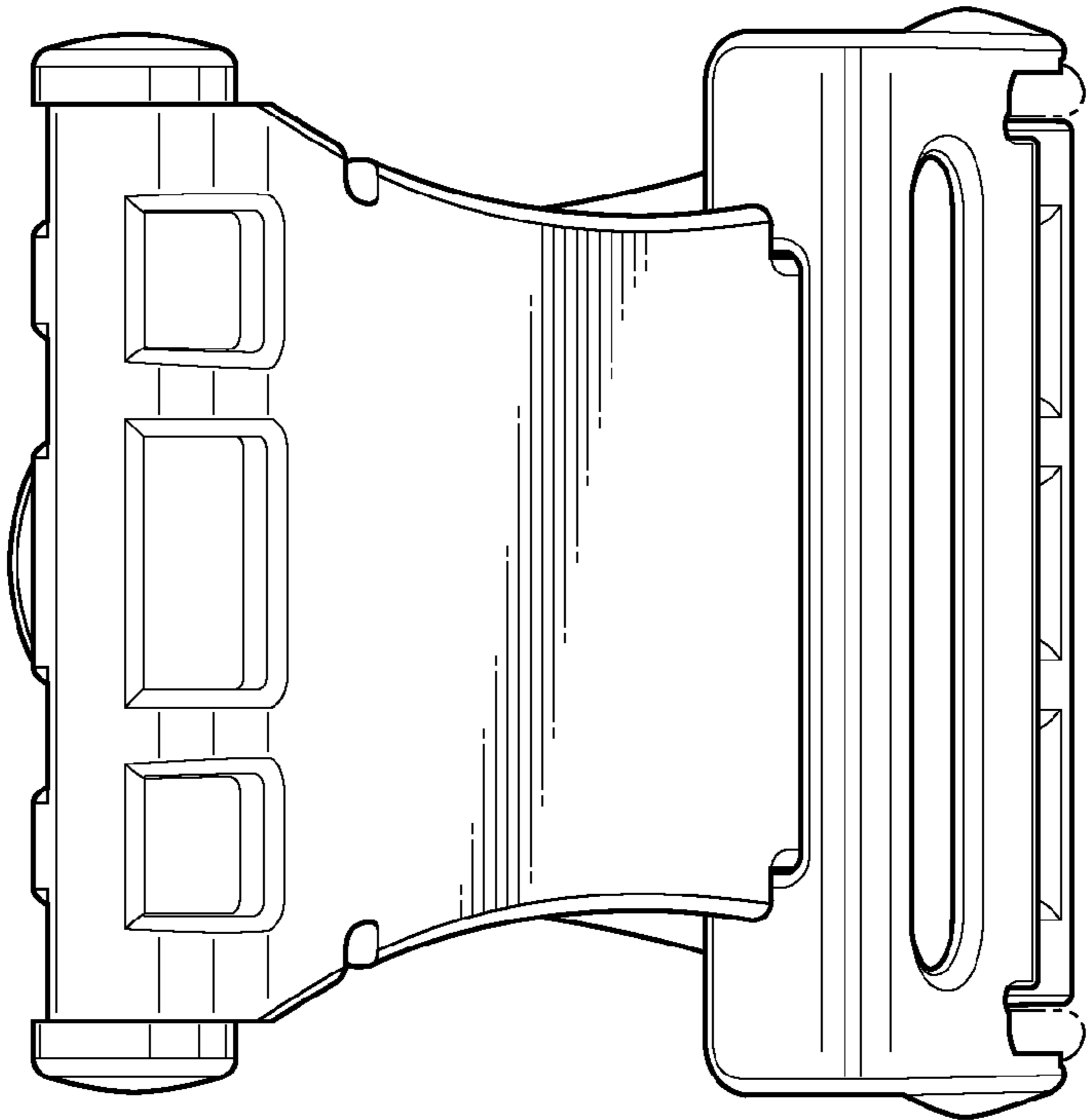


FIG. 31