



US00D679691S

(12) **United States Design Patent**
Fahrendorff et al.

(10) **Patent No.:** **US D679,691 S**
(45) **Date of Patent:** **** Apr. 9, 2013**

(54) **HANDHELD ELECTRONIC DEVICE SHELL**

(75) Inventors: **Anders Fahrendorff**, Ottawa (CA); **Ian James Murchison**, Toronto (CA); **Todd Nelson Sinclair**, Waterloo (CA)

(73) Assignee: **Research In Motion Limited**, Waterloo, Ontario (CA)

(**) Term: **14 Years**

(21) Appl. No.: **29/398,091**

(22) Filed: **Jul. 26, 2011**

(51) **LOC (9) Cl.** **14-03**

(52) **U.S. Cl.** **D14/250**

(58) **Field of Classification Search** D14/250–253,
D14/440, 203.3–203.7, 217, 496, 248, 238.1,
D14/240, 447; D3/201, 218, 269, 301, 273,
D3/303, 103, 247; D13/103, 107–108, 119;
220/4.02; 248/309.1, 371, 176.3, 668; 361/679.56,
361/679.3, 679.25, 816; 379/426, 433.11,
379/455; 455/575.1, 575.8; 206/305, 320;
345/173

See application file for complete search history.

(56) **References Cited**

U.S. PATENT DOCUMENTS

D543,541 S *	5/2007	Chung et al.	D3/269
D551,653 S *	9/2007	Nohara	D14/167
D593,750 S *	6/2009	Song	D3/269
D603,603 S *	11/2009	Laine et al.	D3/218
D609,226 S *	2/2010	Hofer et al.	D14/248
D609,464 S *	2/2010	Bullen	D3/218
D614,179 S *	4/2010	Behar et al.	D14/248
D616,360 S *	5/2010	Huang	D13/103
D620,931 S *	8/2010	Opman	D14/250

D625,303 S *	10/2010	Kim	D14/250
D652,828 S *	1/2012	Fahrendorff et al.	D14/250
D653,248 S *	1/2012	Fahrendorff et al.	D14/250
D653,249 S *	1/2012	Fahrendorff et al.	D14/250
D653,657 S *	2/2012	Fahrendorff et al.	D14/250
D653,659 S *	2/2012	Fahrendorff et al.	D14/250
D654,069 S *	2/2012	Kwon et al.	D14/250
D662,928 S *	7/2012	Fahrendorff et al.	D14/250
8,297,440 B2 *	10/2012	Schmidt et al.	206/320

OTHER PUBLICATIONS

Capdase Polimor Jacket for BlackBerry Bold 9790, <URL:http://www.dailyobjects.com/capdase-polimor-jacket-for-blackberry-bold-9790-blue>, retrieved from internet on Dec. 3, 2012.*

* cited by examiner

Primary Examiner — Carla Jobe Wright

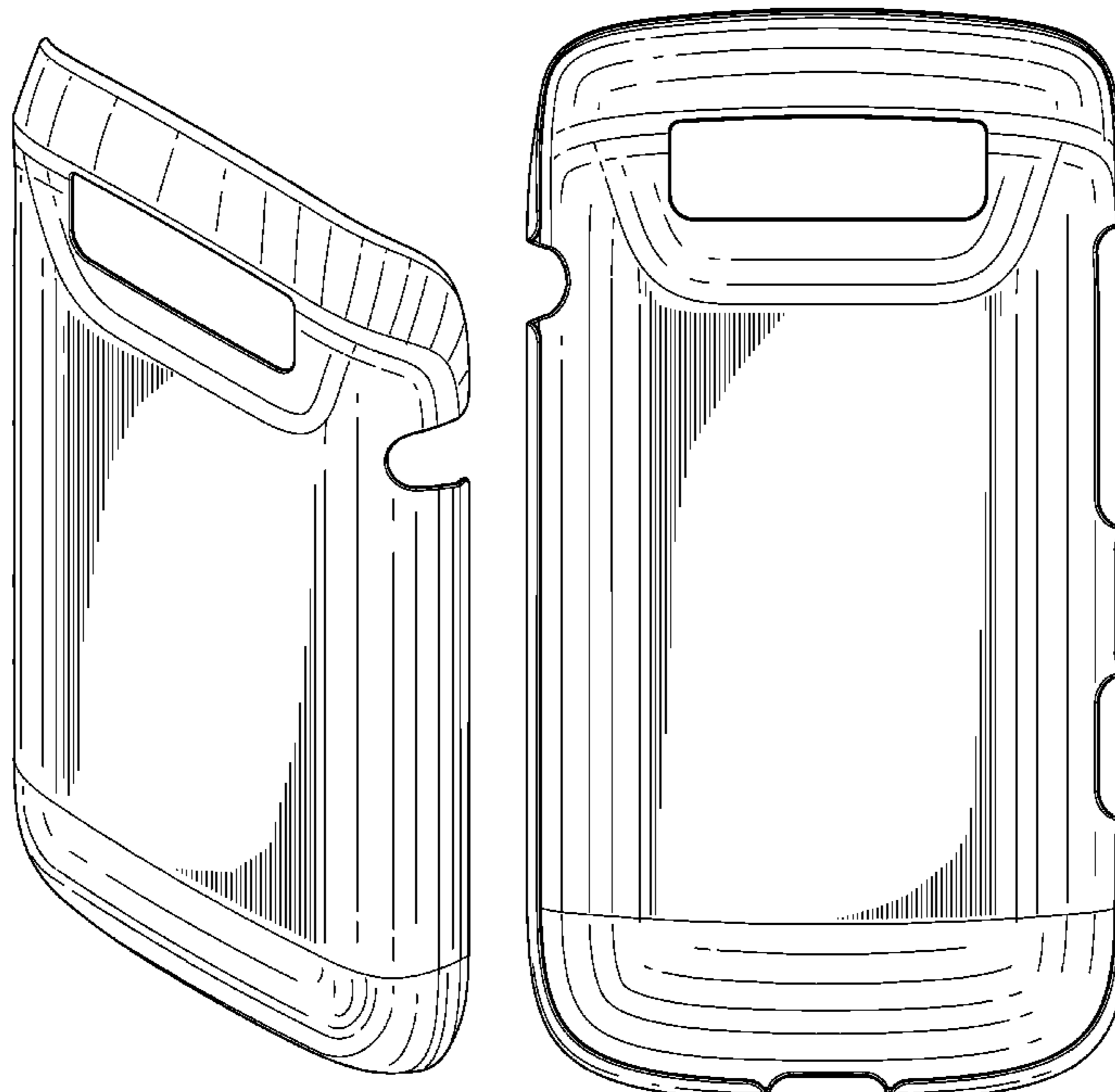
(57) **CLAIM**

We claim the ornamental design for a handheld electronic device shell, as shown and described.

DESCRIPTION

FIG. 1 is a back right perspective view of a handheld electronic device shell;
FIG. 2 is a back elevational view of the handheld electronic device shell;
FIG. 3 is a front elevational view thereof;
FIG. 4 is a right elevational view thereof;
FIG. 5 is a left elevational view thereof;
FIG. 6 is a top plan view thereof;
FIG. 7 is a bottom plan view thereof; and,
FIG. 8 is a back left perspective view thereof.

1 Claim, 6 Drawing Sheets



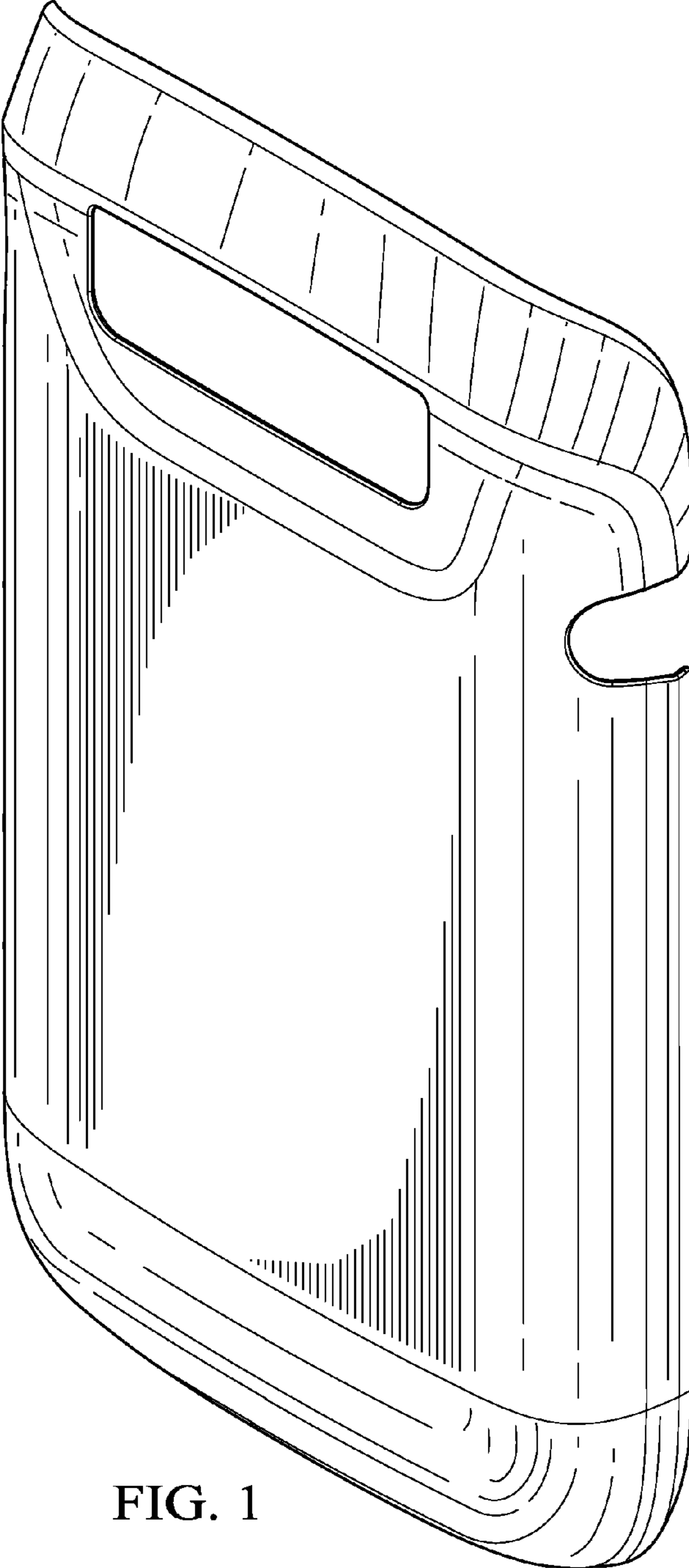


FIG. 1

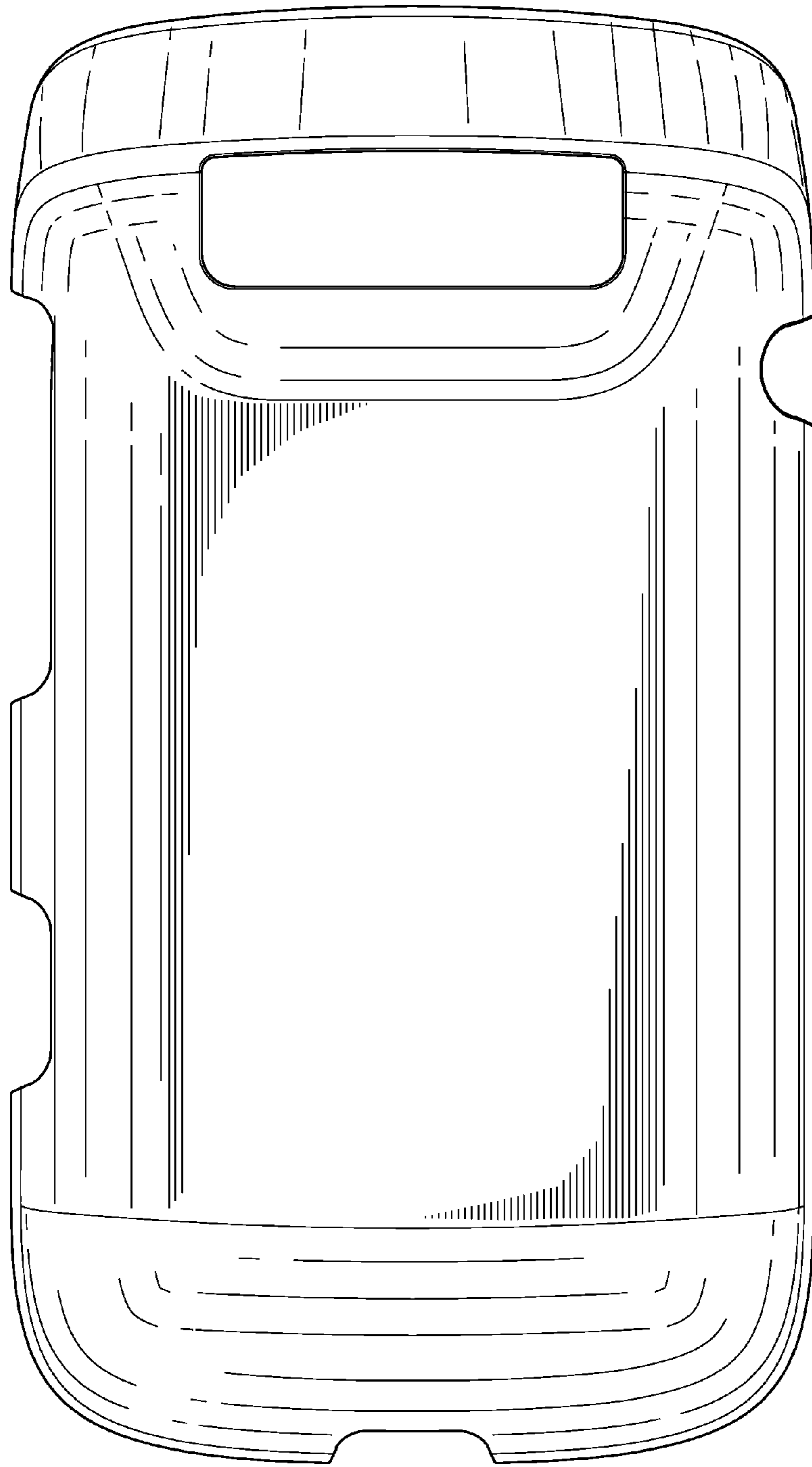


FIG. 2

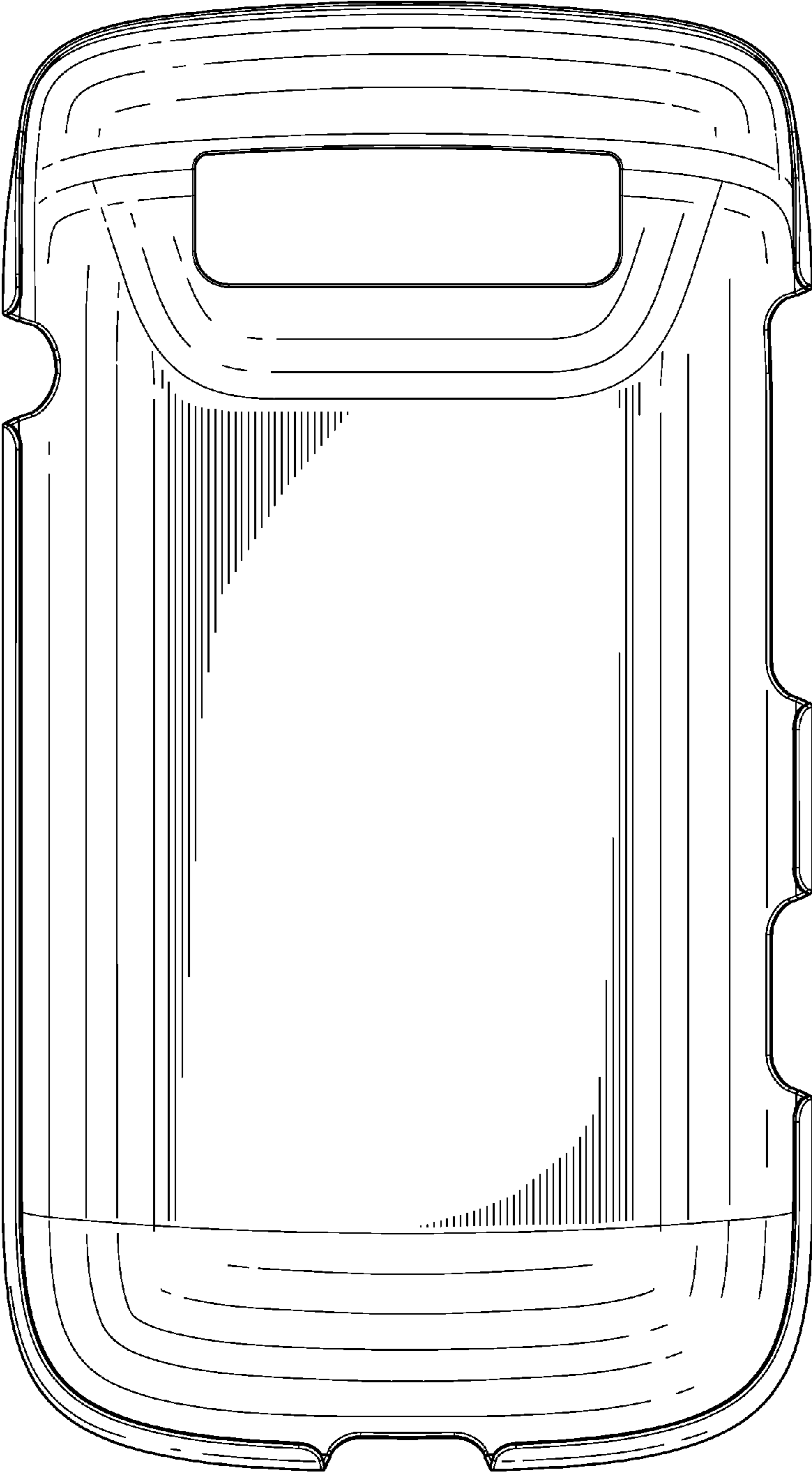


FIG. 3

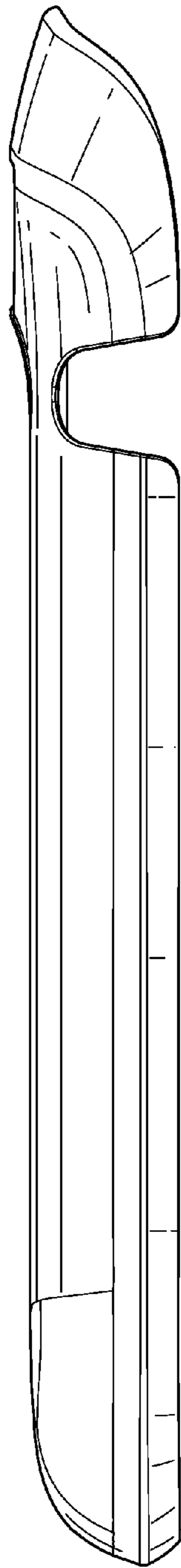


FIG. 4

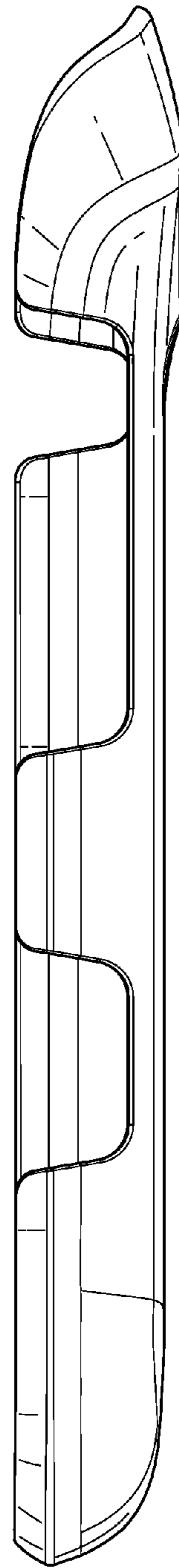


FIG. 5

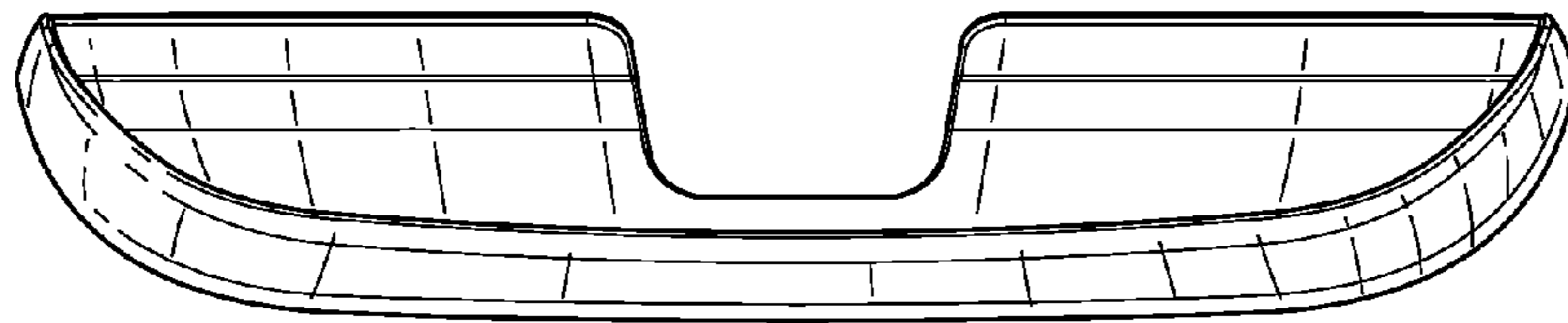


FIG. 6

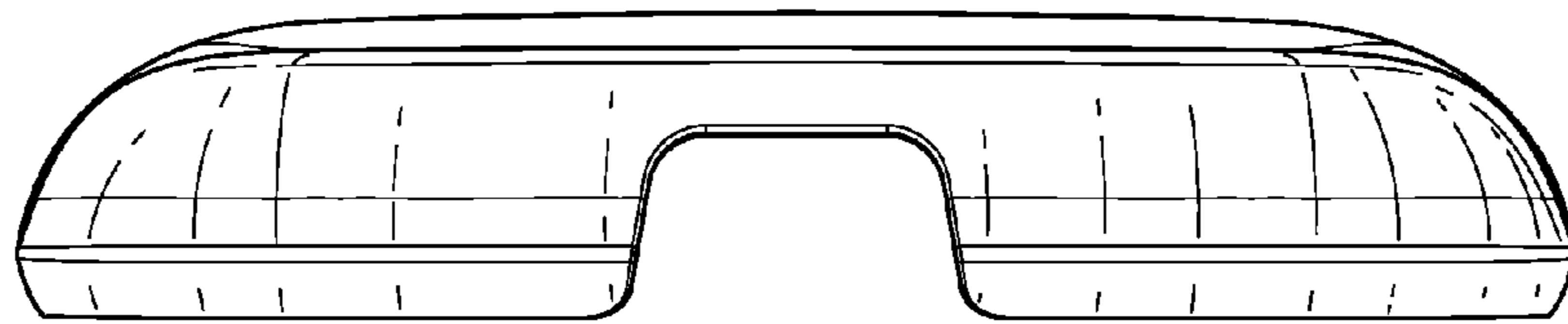


FIG. 7

