



US00D679684S

(12) **United States Design Patent**
Baker et al.

(10) **Patent No.:** **US D679,684 S**
(45) **Date of Patent:** **** Apr. 9, 2013**

(54) **CASE FOR A DIGITAL DEVICE**

(76) Inventors: **Clay W. Baker**, Portola Valley, CA (US);
Thomas M. Ramies, Portola Valley, CA (US)

(**) Term: **14 Years**

(21) Appl. No.: **29/380,322**

(22) Filed: **Dec. 2, 2010**

(51) **LOC (9) Cl.** **14-03**

(52) **U.S. Cl.** **D14/250**

(58) **Field of Classification Search** D14/250–253,
D14/440, 203.1–203.7, 217, 496, 248, 137–138 AA,
D14/138 G, 447; D3/201, 218, 269, 301,
D3/273, 303, 103, 247; D13/103, 107, 108,
D13/119; 220/4.02; 248/309.1, 688, 459;
361/679.56, 679.55, 679.01; 379/426, 433.11,
379/455; 455/575.1, 575.8; 190/100; 206/305,
206/320; D6/310, 311, 300
See application file for complete search history.

(56) **References Cited**

U.S. PATENT DOCUMENTS

D434,739	S	*	12/2000	Hanna et al.	D14/138 G
D479,214	S	*	9/2003	Bertrand et al.	D14/138 AD
D528,090	S	*	9/2006	Lee et al.	D14/138 AD
7,125,145	B2		10/2006	Gardiner et al.		
D565,290	S	*	4/2008	Brandenburg et al.	D3/218
D565,291	S	*	4/2008	Brandenburg et al.	D3/218
D606,529	S	*	12/2009	Ferrari et al.	D14/250
D611,023	S	*	3/2010	Wu et al.	D14/138 G
D651,204	S	*	12/2011	Wibby et al.	D14/250
D658,623	S	*	5/2012	Park et al.	D14/138 AA
2006/0146483	A1		7/2006	Patino et al.		
2008/0232089	A1		9/2008	Riccardi		
2010/0224519	A1*		9/2010	Kao	206/320
2011/0136555	A1*		6/2011	Ramies et al.	455/575.8
2011/0253569	A1*		10/2011	Lord	206/320
2011/0259664	A1*		10/2011	Freeman	181/202

OTHER PUBLICATIONS

West 280 iOpener Bottle Opener Case for iPhones Review—
YouTube. [online] [retrieved on Aug. 7, 2012] Retrieved from URL:
<<http://www.youtube.com/watch?v=Z5QvqGnEeNM>>.*

(Continued)

Primary Examiner — Robert M Spear

Assistant Examiner — Vy Koenig

(74) *Attorney, Agent, or Firm* — Hickman Palermo Truong
Becker Bingham Wong LLP

(57) **CLAIM**

The ornamental design for a case for a digital device, as
shown and described.

DESCRIPTION

FIG. 1 is bottom plan view of an ornamental design for a case
for a digital device according to the invention.

FIG. 2 is a first side elevation view of the ornamental design
for the case for a digital device of FIG. 1 according to the
invention.

FIG. 3 is a second side elevation view of the ornamental
design for the case for a digital device of FIG. 1 according to
the invention.

FIG. 4 is a first end elevation view of the ornamental design
for the case for a digital device of FIG. 1 according to the
invention.

FIG. 5 is a second end elevation view of the ornamental
design for the case for a digital device of FIG. 1 according to
the invention.

FIG. 6 is a top plan view of the ornamental design for the case
for a digital device of FIG. 1 according to the invention.

FIG. 7 is a top perspective view of the ornamental design for
the case for a digital device of FIG. 1 according to the inven-
tion.

FIG. 8 is a top perspective view of the ornamental design for
the case for a digital device of FIG. 1 according to the inven-
tion and with a tool extended; and,

FIG. 9 is a bottom perspective view of the ornamental design
for the case for a digital device of FIG. 1 according to the
invention.

The broken line showing triangles in FIG. 1 illustrate portions
of the “article” that form no part of the claimed design.

The broken line showing a logo in FIGS. 2, 7, and 8 illustrate
portions of the “article” that form no part of the claimed
design.

The broken line showing the tab and extended tool in FIGS.
3-8 illustrate portions of the “article” that form no part of the
claimed design.

The broken line showing a device placed inside the case in
FIGS. 7-9 depicts unclaimed environmental subject matter.

1 Claim, 5 Drawing Sheets



OTHER PUBLICATIONS

iOpener 3GS—Black. [online] [retrieved on Aug. 7, 2012] Retrieved from URL: <http://www.west280.com/shop/catalog/product_info.php?products_id=40>.*

Opena® Case—iPhone 4/4S Bottle Opener Case [online] [retrieved on Aug. 7, 2012] Retrieved from URL: <http://www.amazon.com/Open%C2%AE-Case-iPhone-Bottle-Opener/dp/B007RK3A94/ref=sr_1_2?s=wireless&ie=UTF8&qid=1344352301&sr=1-2&keywords=opena>.*

Office Action received in Australian international application No. 2011100753 Applicant West 280, Incorporated, dated Aug. 8, 2011, 2 pages.

Current Claims of Australian international application No. 2011100753 dated Aug. 2011, Applicant West 280, Incorporated, 2 pages.

“iBottleopener” downloaded from the Internet on Feb. 2, 2011 <<http://ibottleopener.com/>> (1 page).

“About Be A HeadCase” downloaded from the Internet on Feb. 3, 2011 <<http://beaheadcase.com/index.php/about/>> (2 pages).

“Be A Headcase Shop” downloaded from the Internet on Feb. 3, 2011 <<http://beaheadcase.com/index.php/shop/>> (3 pages).

* cited by examiner

Fig. 1

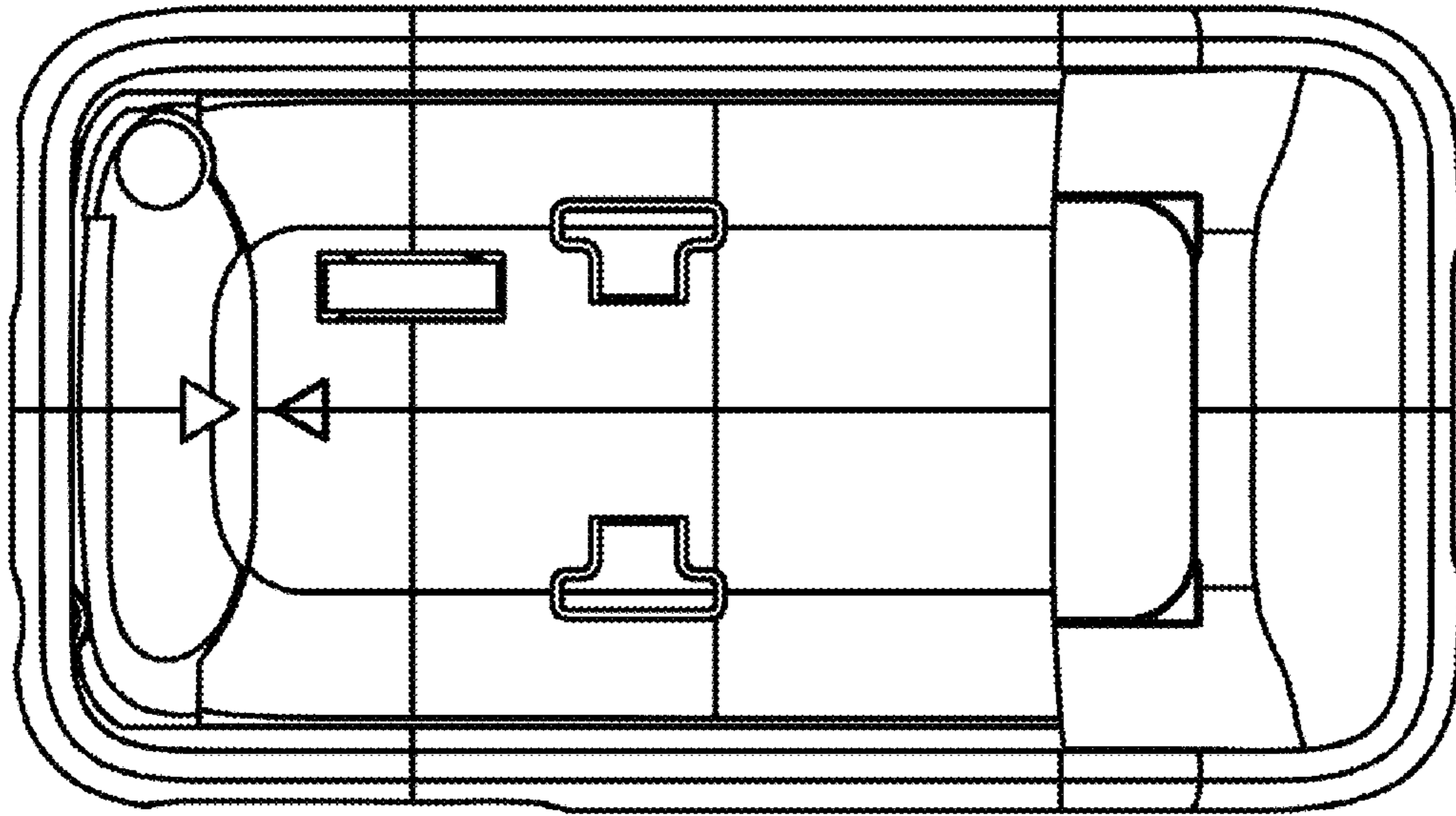
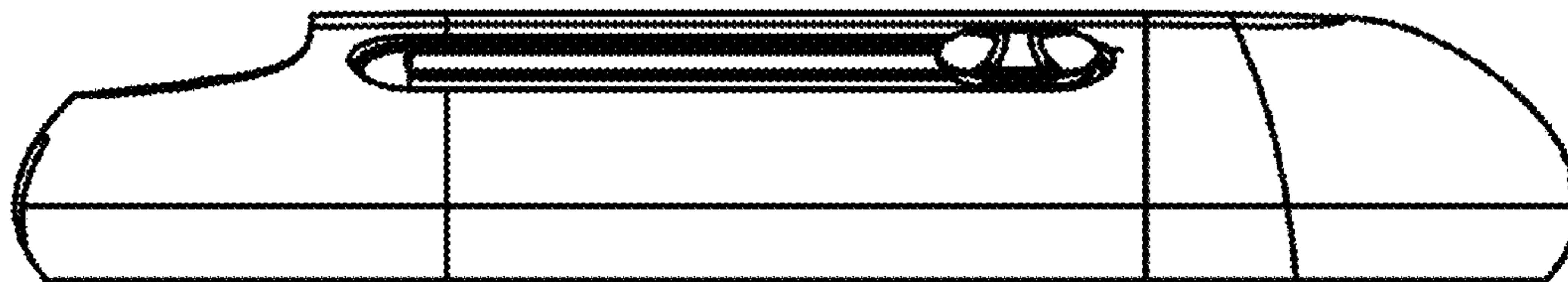


Fig. 2



Fig. 3



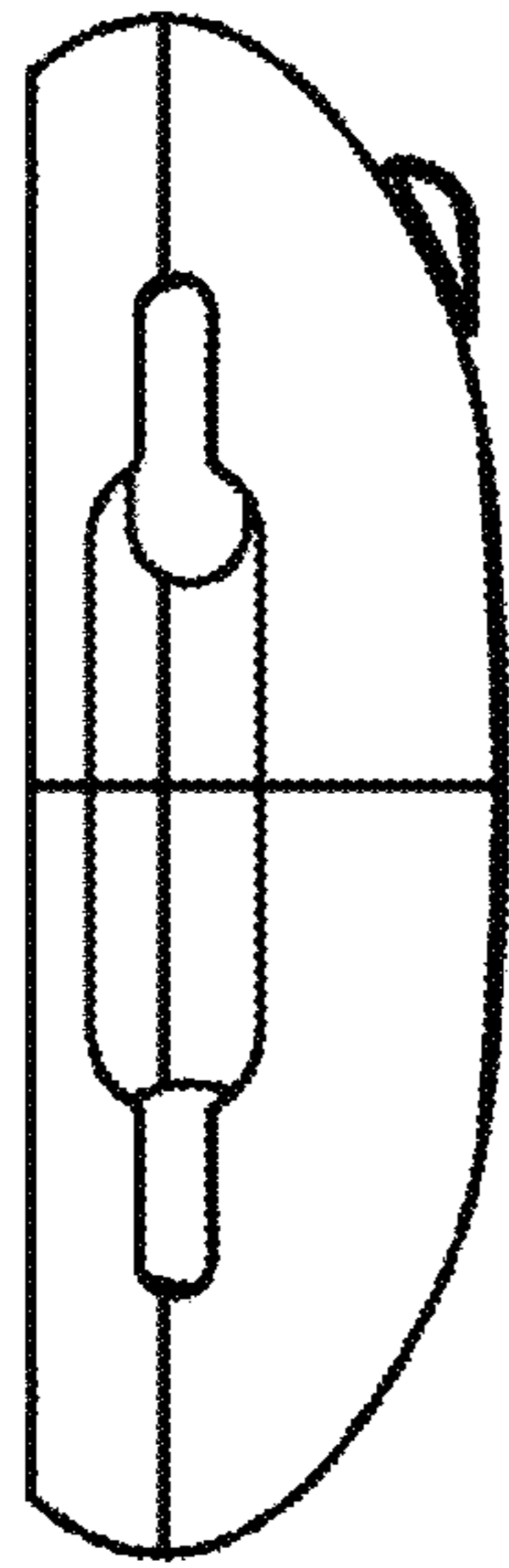


Fig. 4

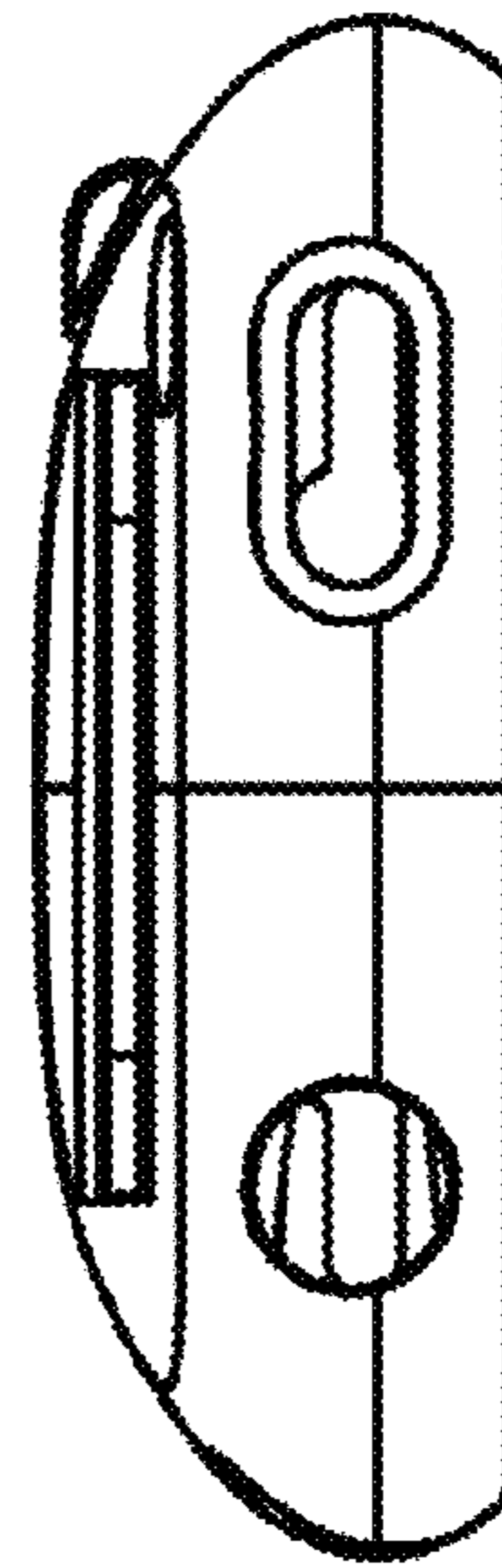


Fig. 5

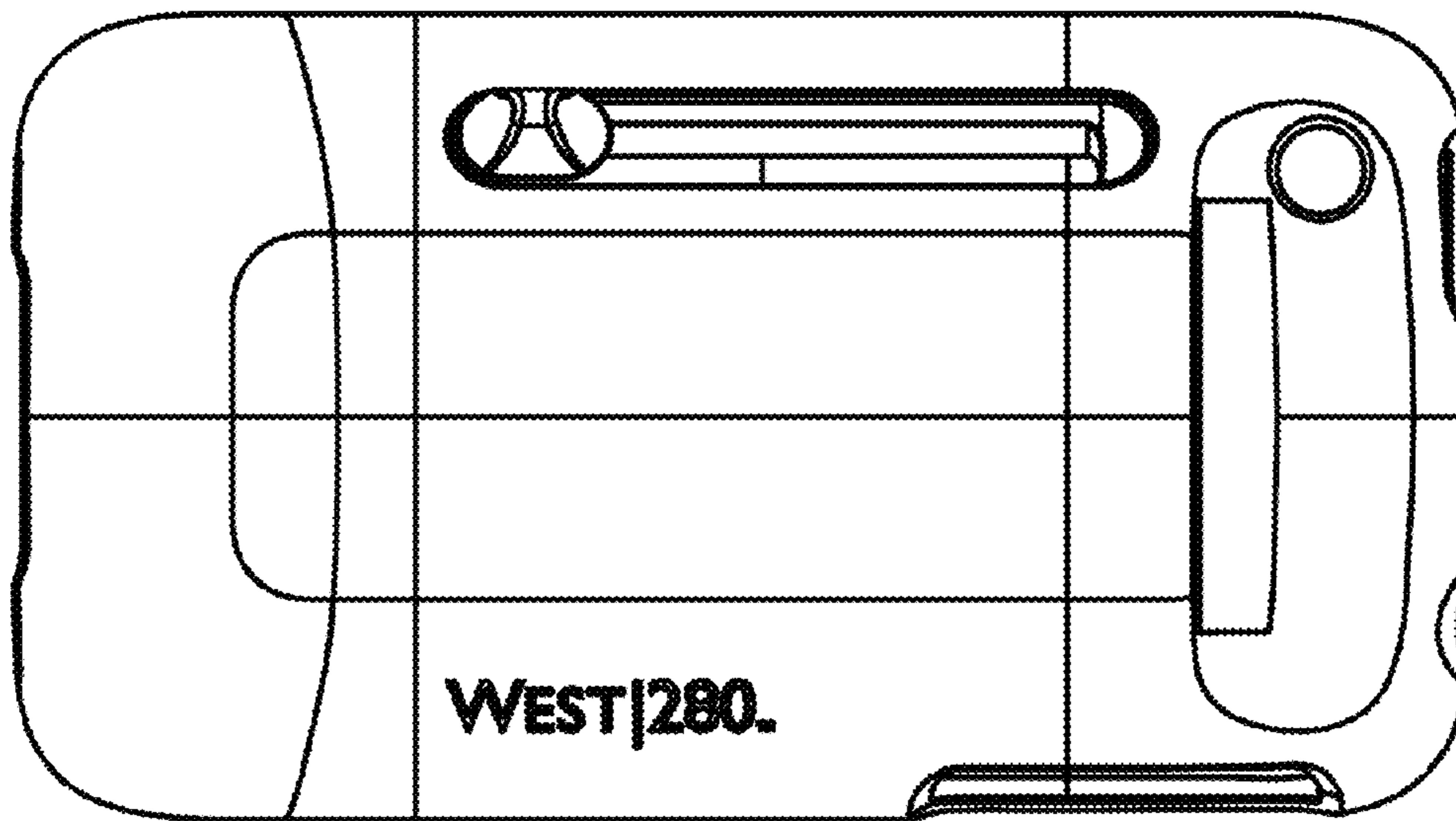


Fig. 6

Fig. 7



Fig. 8



Fig. 9

