



US00D679683S

(12) **United States Design Patent**
Fahrendorff et al.

(10) **Patent No.:** **US D679,683 S**

(45) **Date of Patent:** **** *Apr. 9, 2013**

(54) **HANDHELD ELECTRONIC DEVICE SHELL**

(75) Inventors: **Anders Fahrendorff**, Ottawa (CA);
Andrew David Lowe, Unionville (CA)

(73) Assignee: **Research In Motion Limited**, Waterloo,
Ontario (CA)

(*) Notice: This patent is subject to a terminal dis-
claimer.

(**) Term: **14 Years**

(21) Appl. No.: **29/376,007**

(22) Filed: **Sep. 30, 2010**

(51) **LOC (9) Cl.** **14-03**

(52) **U.S. Cl.** **D14/250**

(58) **Field of Classification Search** D14/250–253,
D14/440, 203.3–203.7, 217, 496, 248, 238.1;
D3/201, 218, 269, 301, 273, 303; D13/103,
D13/107–108; 220/4.02; 248/309.1; 361/679.56;
379/426, 433.11, 455; 455/575.1, 575.8;
190/100; 206/305, 320

See application file for complete search history.

(56) **References Cited**

U.S. PATENT DOCUMENTS

D535,252 S *	1/2007	Sandnes	D13/108
D543,541 S *	5/2007	Chung et al.	D3/269
D551,653 S *	9/2007	Nohara	D14/167
D565,290 S *	4/2008	Brandenburg et al.	D3/218
D587,695 S *	3/2009	Leng et al.	D14/240
D593,750 S *	6/2009	Song	D3/269
D603,603 S *	11/2009	Laine et al.	D3/218
D609,464 S *	2/2010	Bullen	D3/218
D614,179 S *	4/2010	Behar et al.	D14/248
D618,231 S *	6/2010	Fahrendorff et al.	D14/250
D619,361 S *	7/2010	Andre et al.	D3/269
D620,931 S *	8/2010	Opman	D14/250
7,778,023 B1 *	8/2010	Mohoney	361/679.41
D625,303 S *	10/2010	Kim	D14/250
D632,684 S *	2/2011	Richardson et al.	D14/250
D635,555 S *	4/2011	Giles	D14/217
D640,974 S *	7/2011	Kendall et al.	D13/103
D641,012 S *	7/2011	Fahrendorff et al.	D14/250
D652,827 S *	1/2012	Fahrendorff et al.	D14/250
D652,828 S *	1/2012	Fahrendorff et al.	D14/250

D653,655 S *	2/2012	Polito et al.	D14/250
D657,782 S *	4/2012	Biller	D14/250
2010/0104814 A1 *	4/2010	Richardson et al.	428/156

OTHER PUBLICATIONS

Review of Clip On Back Cover Purple—BlackBerry Curve 8900, reviewed on Mar. 21, 2010, <URL: <http://www.mobilephonereviews.org/mobile-phone-accessories/clip-on-back-cover-purple-blackberry-curve-8900-purple/>>, retrieved from internet Dec. 19, 2011.*

Melkco Leather Back Cover Snap Case for Blackberry 9700 9780, <URL: http://www.milkgift.com/apple-iphone-4-case-cover-unitedstate-unitedkingdom-australia-singapore-Melkco-Leather-Back-Cover-Snap-Case-for-Blackberry-9700-9780--Red_102_4157>, retrieved from internet Dec. 19, 2011.*

Incipio BlackBerry Bold 9700 feather Ultralight Hard Shell Case, <URL: <http://www.myincipio.com/BlackBerry-Bold-9700-Cases-Accessories/Incipio-BlackBerry-Bold-9700-feather-Ultralight-Hard-Shell-Case.asp>>, retrieved from internet Dec. 19, 2011.*

Original Blackberry Hard Shell 9850/9860, <URL: <http://www.cmhunted.com/cgi/commerce.cgi?preadd=action&key=RIM-ASY-38072-002-BU>>, retrieved from internet Dec. 19, 2011.*

* cited by examiner

Primary Examiner — Carla Jobe Wright

(57) **CLAIM**

We claim the ornamental design for a handheld electronic device shell, as shown and described.

DESCRIPTION

FIG. 1 is a front perspective view of a handheld electronic device shell;

FIG. 2 is a back perspective view of the handheld electronic device shell;

FIG. 3 is a front elevational view thereof;

FIG. 4 is a back elevational view thereof;

FIG. 5 is a right elevational view thereof;

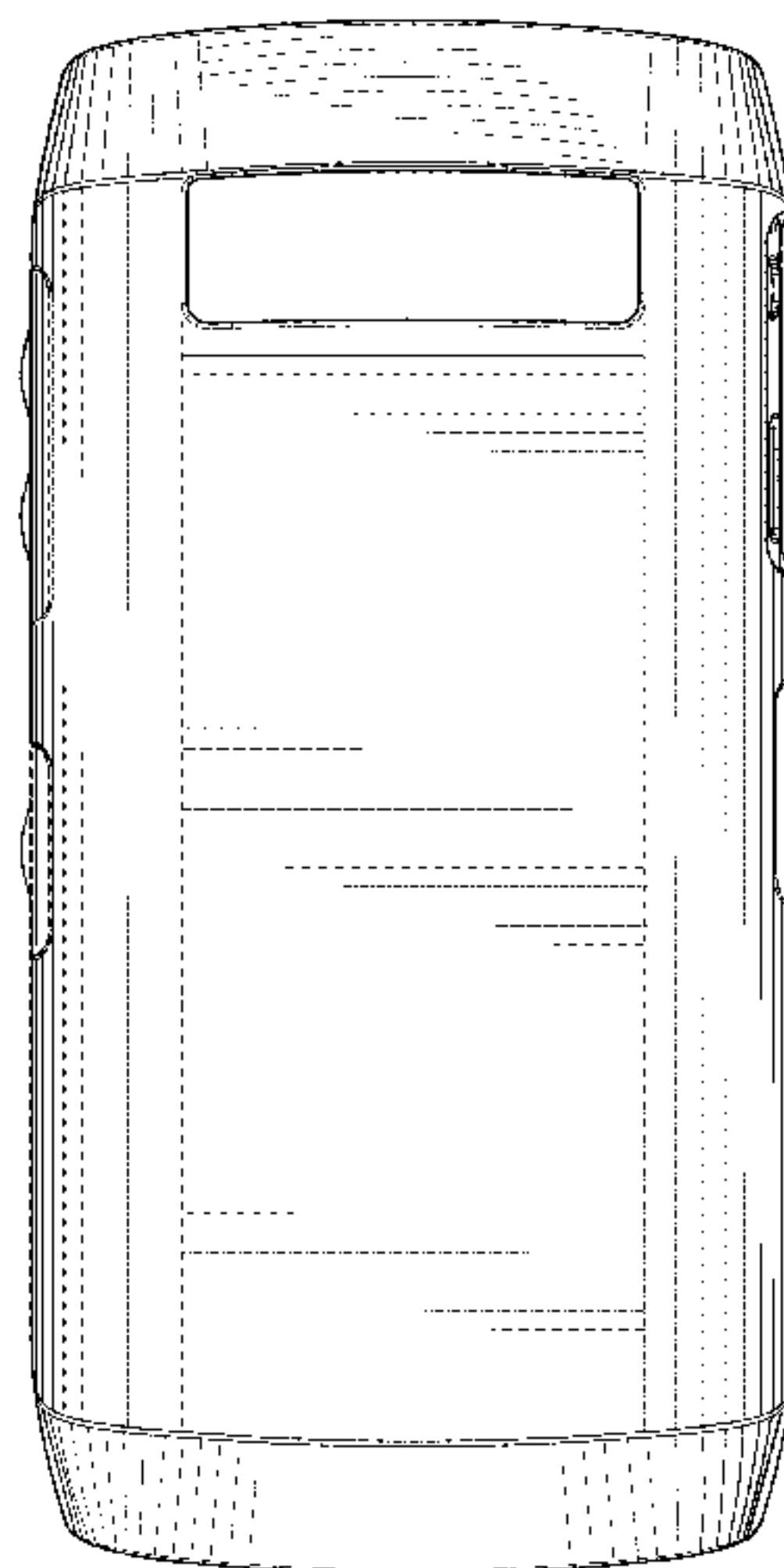
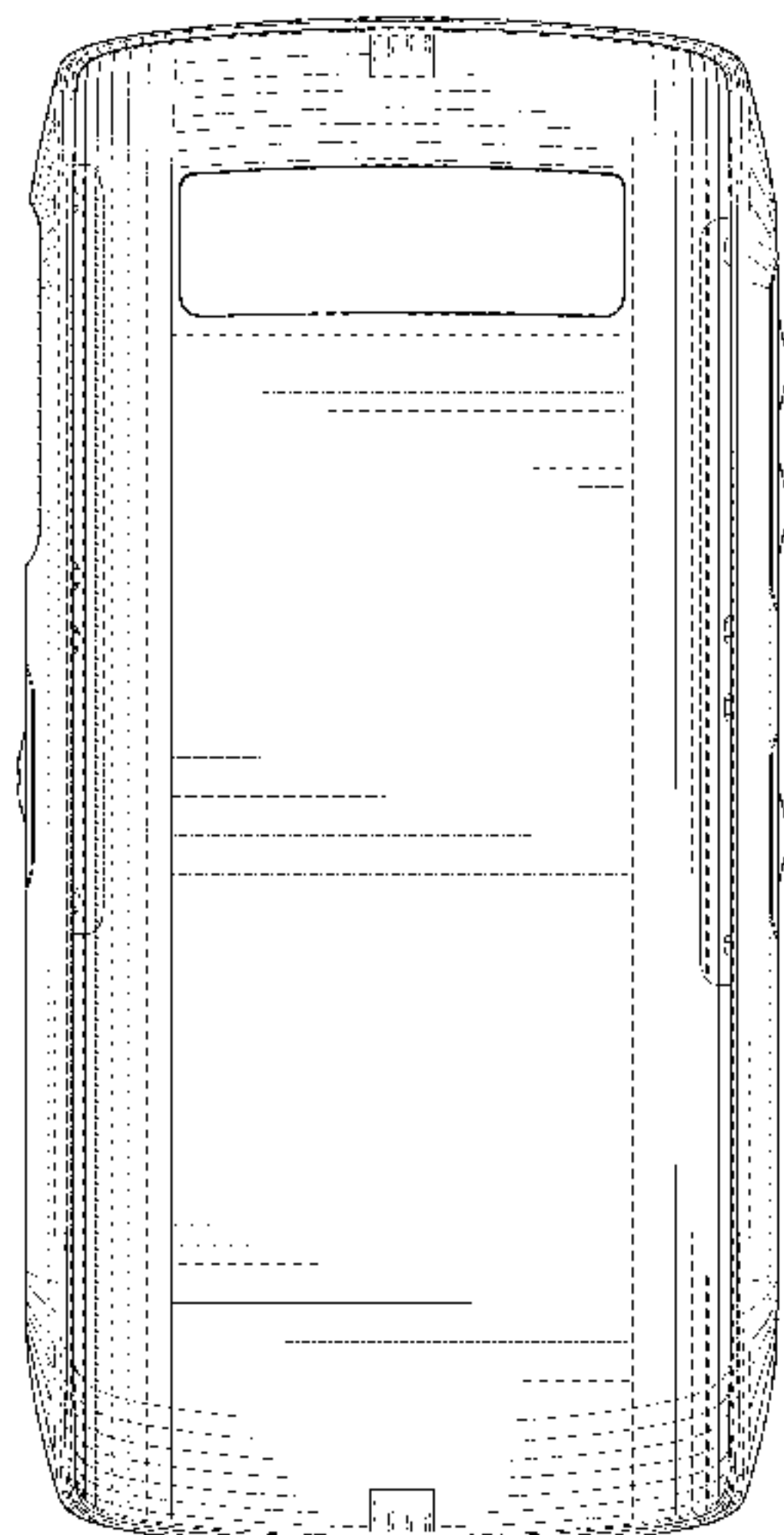
FIG. 6 is a left elevational view thereof;

FIG. 7 is a top plan view thereof; and,

FIG. 8 is a bottom plan view thereof.

The broken lines in the drawings of the handheld electronic device shell are for illustrating unclaimed features of the article and form no part of the claimed design.

1 Claim, 6 Drawing Sheets



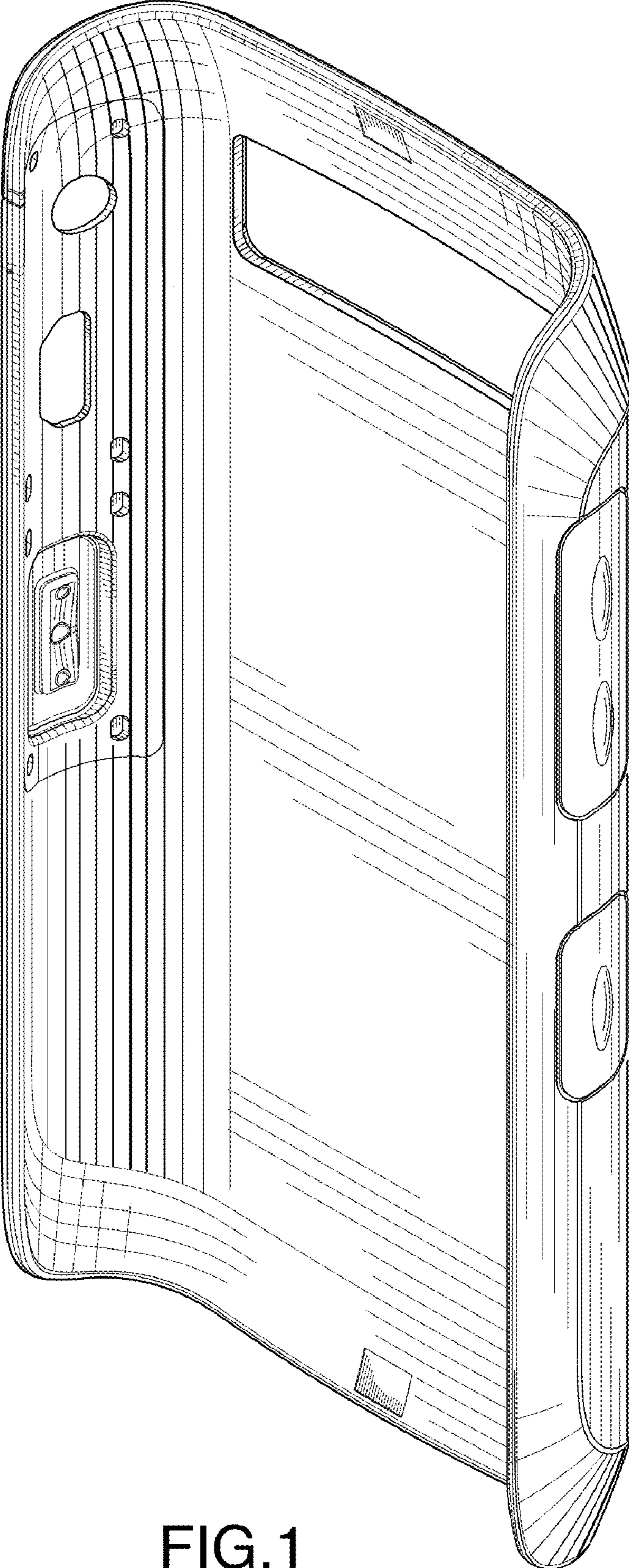


FIG. 1

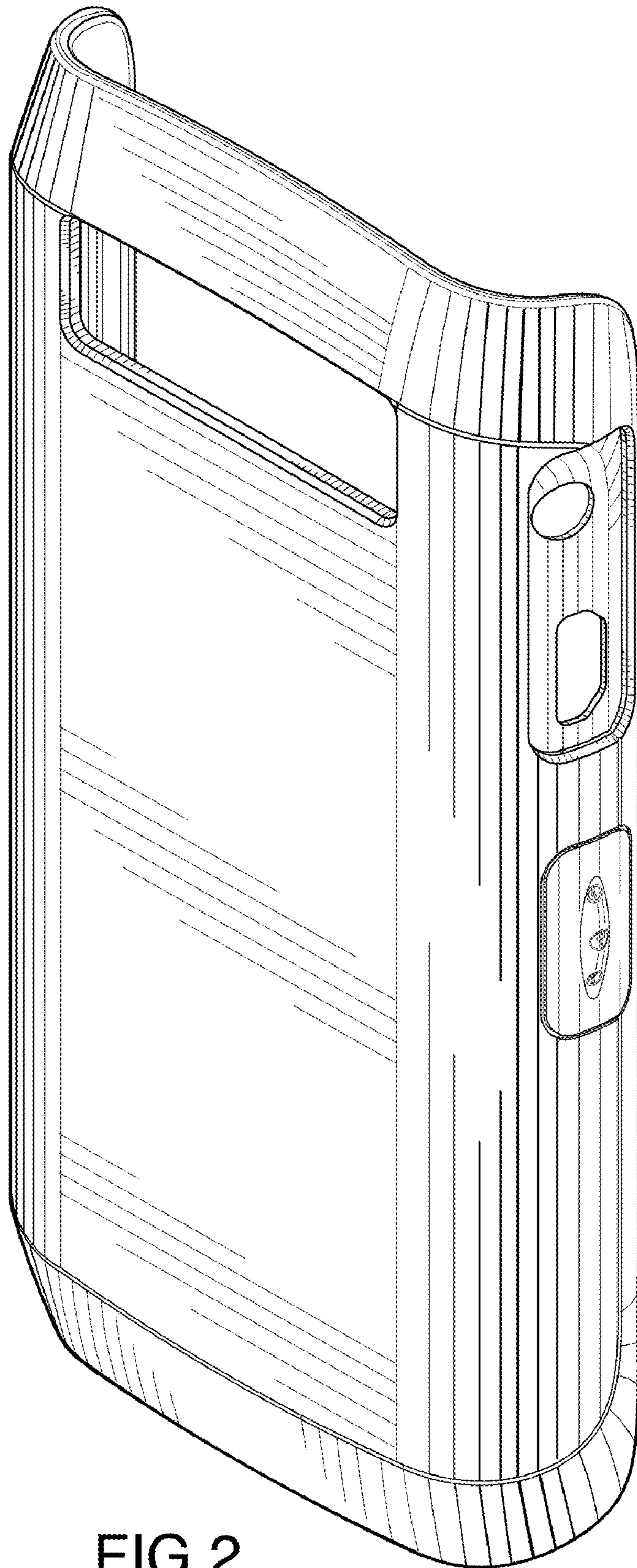


FIG.2

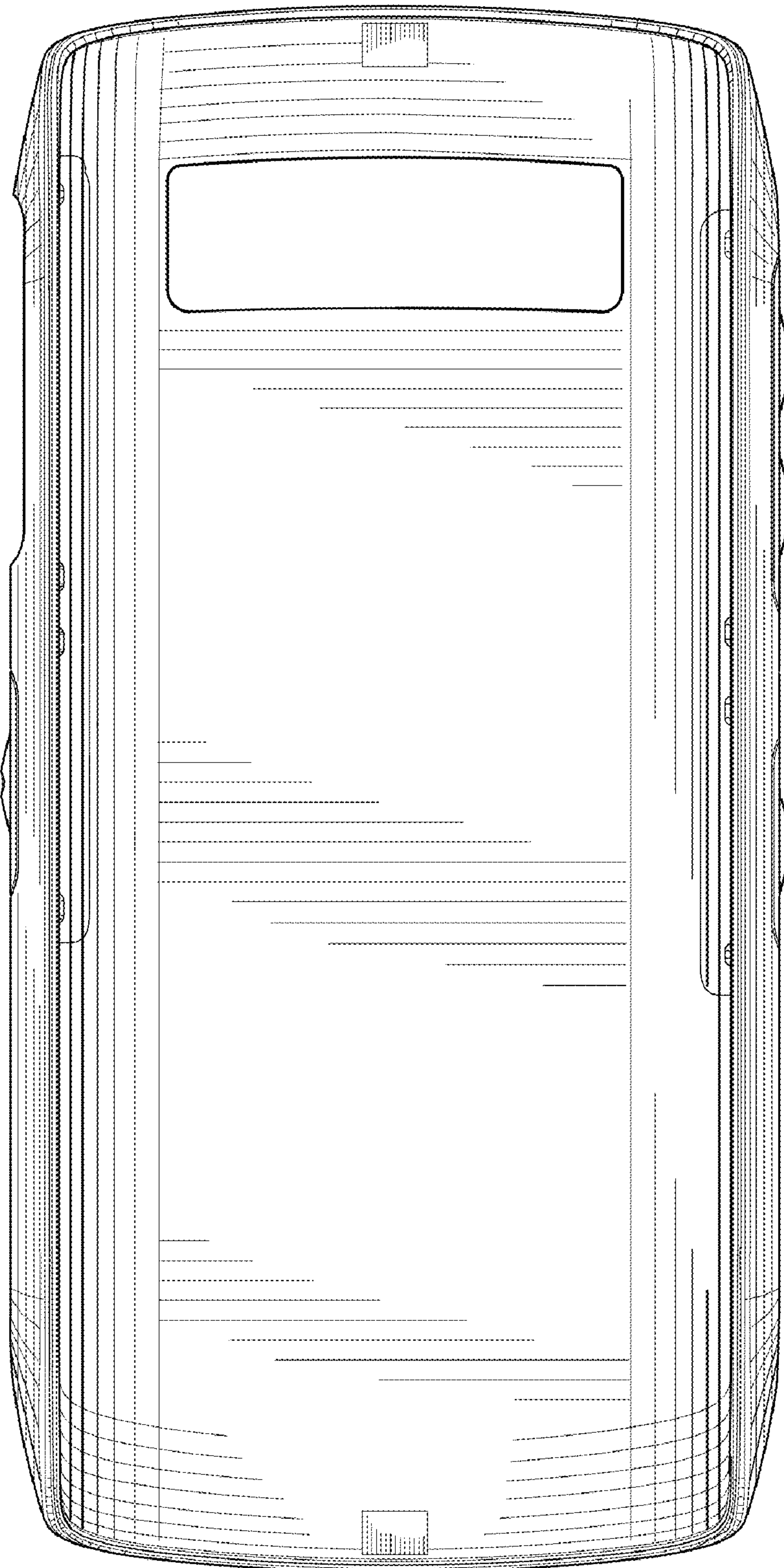


FIG.3

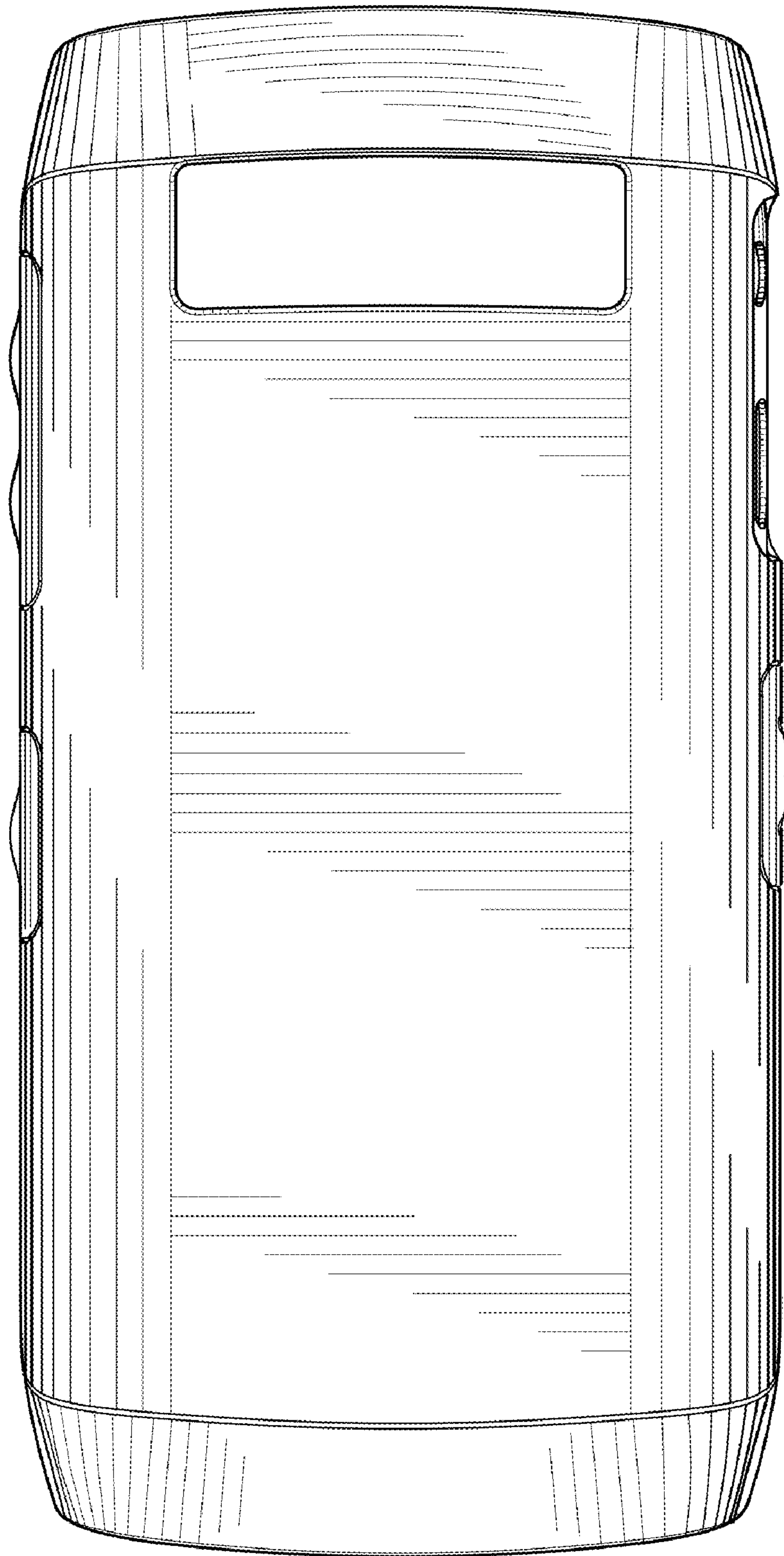


FIG.4

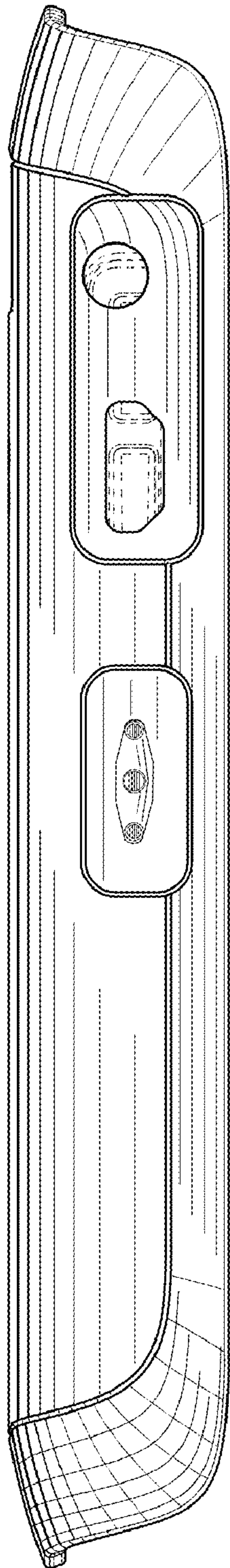


FIG. 5

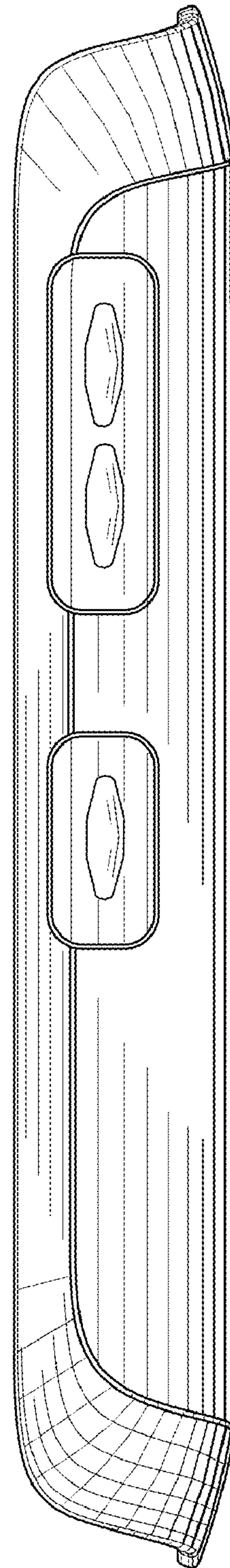


FIG. 6

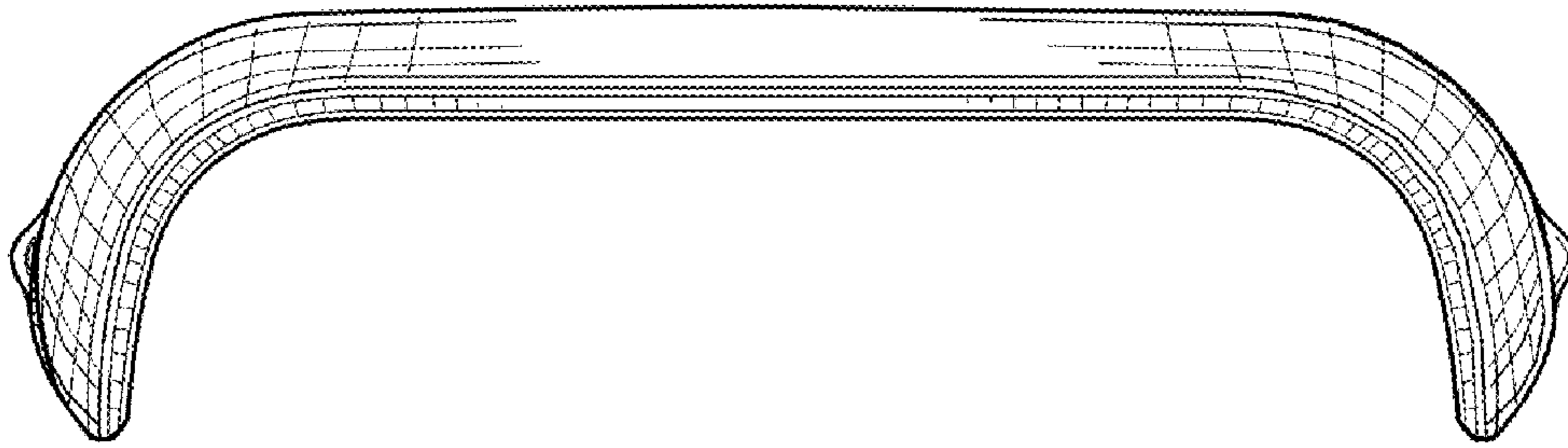


FIG. 7



FIG. 8